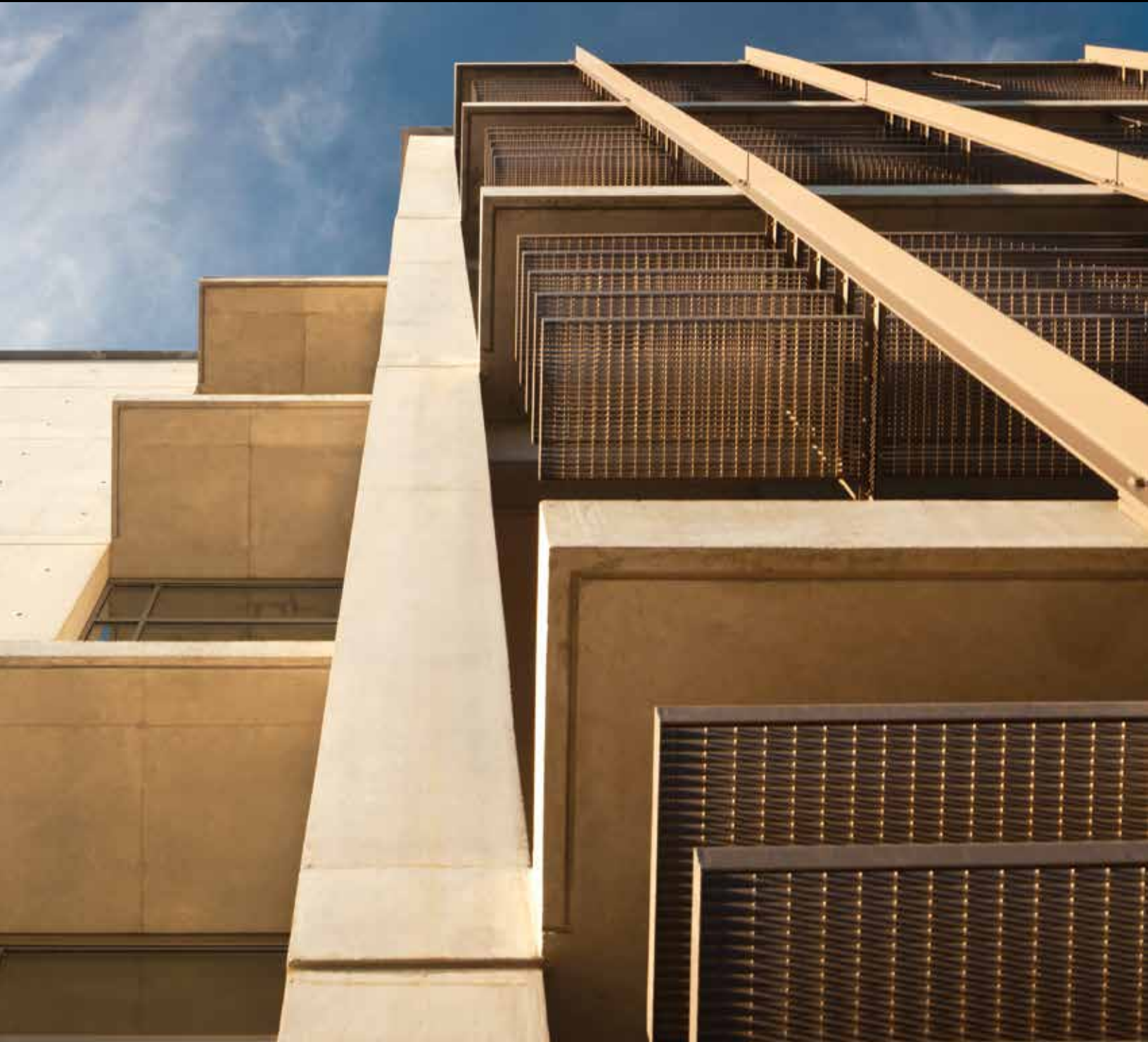


# Architectural Catalog

Solutions & Systems



**OGi Architectural Metal Solutions**  
an Ohio Gratings Company



**Corporate Headquarters** - Operating in accordance with NAAMM standards, Ohio Gratings, Inc. began operations in Canton, Ohio in 1970 and expanded from 8,000 square feet to our current facility (shown here) of over 400,000 sq. ft.

## TABLE OF CONTENTS

SCREENING . . . . . 3-11

EG SERIES . . . . . 12

VG SERIES . . . . . 13

FENCING . . . . . 14-17

RAILING . . . . . 18-19

SHADING . . . . . 20-29

POWDERCOAT COLORS . . . . . 30

OTHER MARKETS . . . . . 31

## Ohio Gratings, Inc. has been manufacturing aluminum, carbon and stainless steel bar grating since 1970...

Our products are used in all types of industrial, environmental and commercial applications wherever an open walkway is required. Over the last several years architectural firms have become intrigued with our different metal products using them more and more in decorative and functional applications to enhance their designs.

As a result, Ohio Gratings, Inc. (OGi) began selling its traditional products into the architectural markets for vertical applications such as sunscreens, grilles, building facades, handrail infill, fencing and louvers. In order to focus more attention on this market, OGi Architectural Metal Solutions was formed in 2007. Custom fabrication and special finishes are typical in this market and these operations are handled separately from our normal production for quality control purposes. Typical finishes include powder coating, anodizing and PVDF painting.

**OGi headquarters has a manufacturing facility of over 400,000 sq. ft. in Canton, Ohio.** We also have additional facilities located in Ridgeland, SC, Houston, TX, and Lindon, UT that offer a vast selection of grating products and services including an inventory of light duty steel and aluminum. Our facilities also provide services from turn-key systems to the most complex fabricating requests. We operate in accordance to ANSI (American National Standards Institute) and NAAMM (National Association of Architectural Metal Manufacturers) standards.

*Cover Photo*  
© Nic Lehoux.  
University of San Diego  
Structural Materials Engineering Building  
San Diego, CA

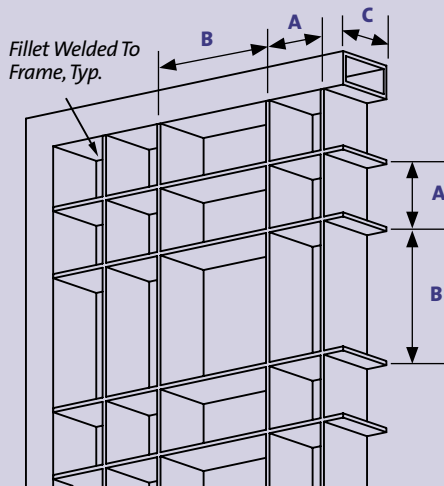
# SCREENING



▲ **Akron Art Museum - Akron, OH**  
**EG0306**

**Size Table:**

EG	A	B	C
EG0204	2"	4"	2"
EG0408	4"	8"	4"
EG0612	6"	12"	6"



▲ **Double-Barrel Spacing Diagram**

TOLL FREE: 1-800-321-9800

OGi grille and screen products are suitable for exterior applications to achieve enhanced aesthetics, security and shading. These products can also be used to create an ornamental/monumental structure as shown above with our EG-Series Grille system for the high cloud roof at the Akron Art Museum. Manufactured domestically from aluminum, carbon and stainless steel, our grille and screen products are available in a wide range of depths and mesh configurations. As with all OGi products, LEED credits are available. For a different look double-barrel spacing is now available.

▼ **El Paso RTS - Mesa Line**  
**EG0202**



# SCREENING



OGi manufactures a variety of aluminum, carbon and stainless steel grilles and screens for interior use. These products are available in a variety of bar sizes and mesh openings and can be supplied with a number of finishes. Customized fabricated systems are available for vertical or horizontal installations.

Whether used as a ceiling grille or a vertical wall screen, OGi's grilles and screens can provide an innovative and contemporary alternative to traditional materials. With open designs, airflow and lighting/shading are promoted naturally.

The applications shown here are manufactured using our ADT series product.



◀ **Sample:**  
ADT  
Aluminum

▲ **World War II Museum**  
New Orleans, LA  
48ADT4



© James Ewing/OTTO.

▲ **Beacon Pavilion Kayak Enclosure**  
Beacon, NY  
35ADT4

# SCREENING



▲ *Maplewood Mall Transit Center  
Parking Garage - St. Paul, MN  
19SG4*



▲ *Denver Botanical Gardens  
Denver, CO  
19SG4*

Parking garages often require screening for security or safety. OGi products can also enhance the overall aesthetics of your parking garage as shown above with our aluminum SG Grilles. Options available are full wall cladding or individual level infill between floors. Complete turn-key systems are available for either option. OGi grilles and screens can be manufactured from aluminum, carbon and stainless steel. All products offer ventilation for parking garage projects with high percentage open area requirements. Products can be configured with an array of openings to allow for the appropriate amount of visual screening. Powder coat, PVDF and anodized finishes are available in addition to natural aluminum and galvanized steel.



◀ *Sample:  
SG Aluminum*

# SCREENING



The LG and LGLi series products are versatile aluminum grilles. Their primary function is to visually screen parking decks or mechanical equipment or function as an ornamental grille. Both the LG and LGLi series aluminum louvers come with varying degrees of visual block starting at 100% direct visual block as well as 80% and 60%. They both offer significant strength to weight ratios and excellent open area.

## LG Series Load Tables:

PSF	LGLi100	LGLi80	LGLi60
20	9' 6"	8' 9"	8' 3"
30	8' 3"	7' 9"	7' 0"
60	6' 6"	6' 0"	5' 9"

PSF	LG100	LG80	LG60
20	11' 9"	11' 0"	10' 0"
30	10' 3"	9' 6"	8' 9"
60	8' 3"	7' 6"	7' 0"

\* Deflection limited to L/180

▲ *Sunset Harbor Parking Garage - Miami, FL*  
LG50



▲ *Artech Residents - Aventura, FL*  
LG60



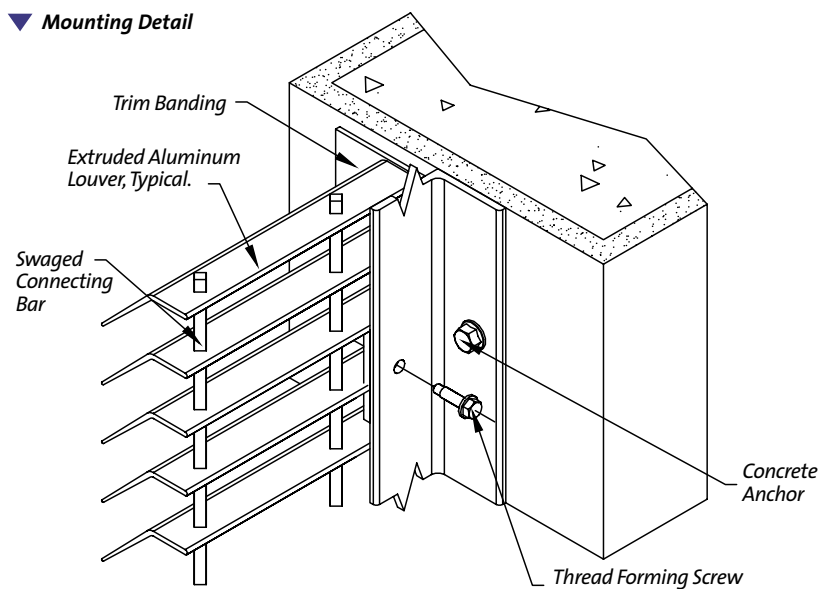
▲ *Las Vegas City Hall - Las Vegas, NV*  
*LG100*



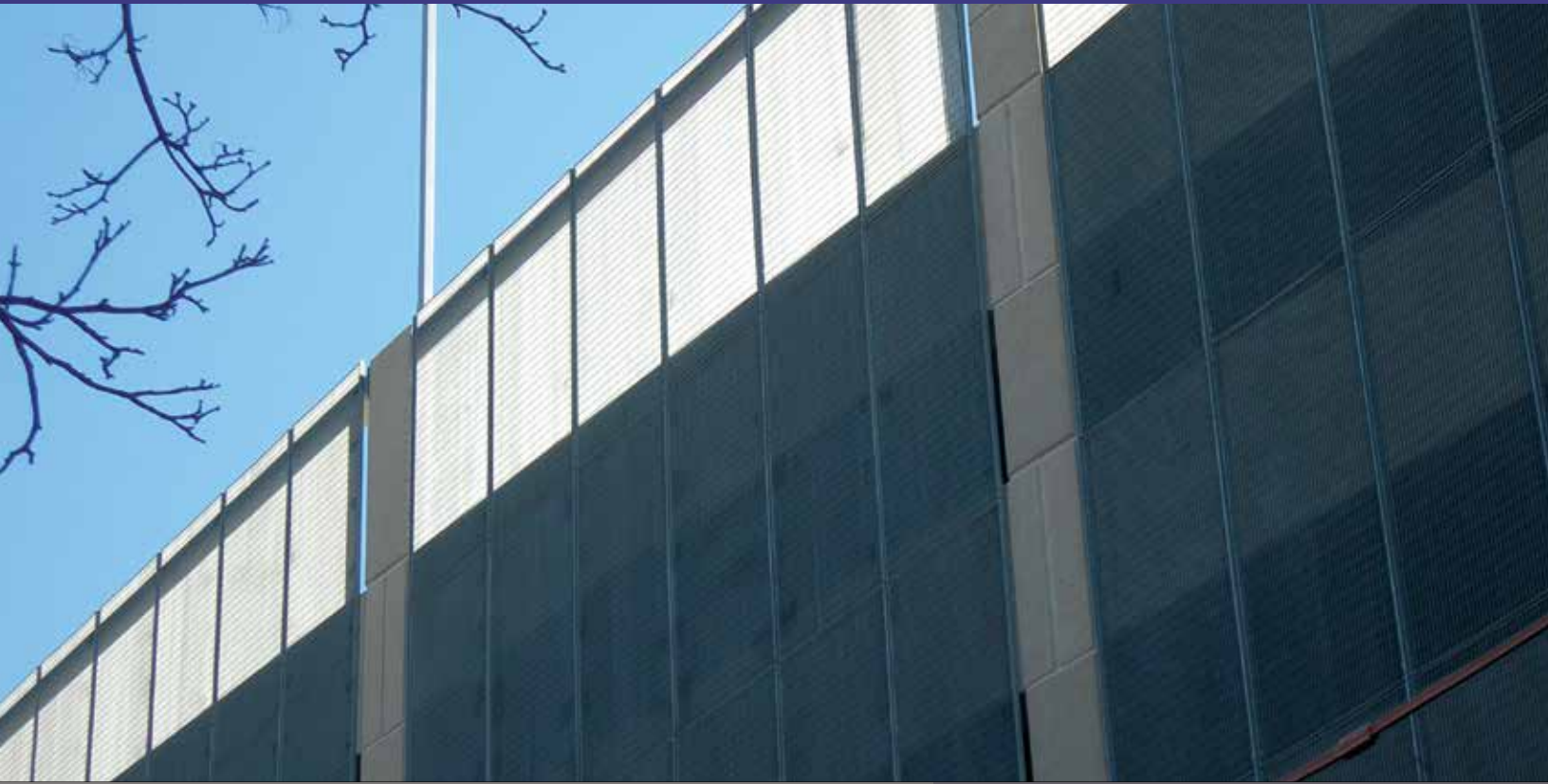
▲ *W Hotel - Miami, FL*  
*LG80*

Both the LG and LGLi series aluminum louvers can be custom fabricated. Below are manufacturer standard details to create either a modular or continuous façade design. Both LG series louvers can also be fabricated to wrap corners to maintain the visual continuity or broken into modular units. The aluminum louver can be finished with polyester powder coat, PVDF paint system or anodized.

#### ▼ *Mounting Detail*



# SCREENING



OGi PressLock steel screens are exceedingly flexible grilles. The PressLock series grilles can be customized on the spacing by moving both the vertical and horizontal bars in 7/16" increments to give you the exact spacing desired. It is also a light weight steel grille with all members being 12 gauge thickness or less. The PressLock series grilles can also come in single piece widths up to 72". Fabrication options are just as varied as other OGi product lines and the steel grilles can either be hot-dipped galvanized or pre-galvanized and finished with a polyester powder coat finish. Aluminum and stainless steel PressLock are available upon request.



◀ *Close Up:  
PressLock  
Grille*

▲ *Blackhawk Parking Garage  
Chicago, IL  
21PL56*



▲ *1401 South State Street  
Chicago, IL  
63PL21*



# SCREENING



▲ *St. Bernard Parish Performing Arts Center*  
*New Orleans, LA*  
*35DTSS4*



▲ *Childrens Hospital of Chicago*  
*Chicago, IL*  
*7DTSS4*

OGi stainless steel grilles are solid and durable grilles that add a special dimension to any project. These stainless steel grilles offer flexibility in spacing similar to all other OGi products and can be fabricated to customize your design. The stainless steel grilles can come in either a 304 or 316 alloy depending on the nature of your project. A sandblast and chemically passivated finish will provide you with a consistent matte metallic finish.



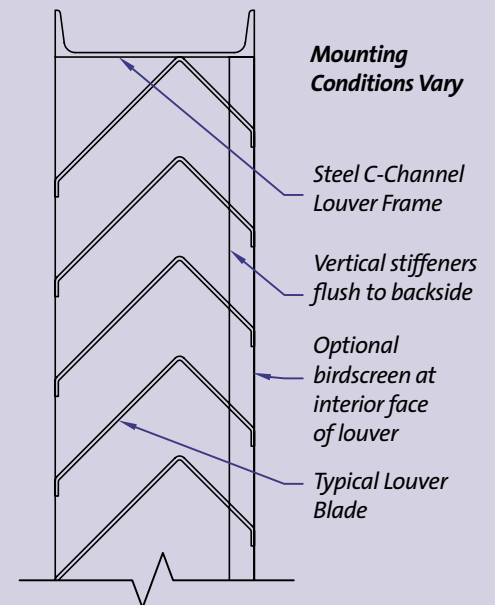
◀ *Sample:*  
*DT Stainless*  
*Steel*

# SCREENING



OGi is proud to offer our TornadoGuard steel louver. TornadoGuard is a steel louver system designed in accordance with and tested to FEMA (Federal Emergency Management Agency) 361 for tornado shelters. TornadoGuard is ideal for school safe rooms, generator enclosures and other critical infrastructures.

TornadoGuard is available in sections up to 8'-0" in width and 12'-0" in height. Integrated birdscreen is also available. TornadoGuard is offered in a hot-dipped galvanized finish and can be finished with a super-durable polyester powder coat finish. Stainless steel is also available.





DG115



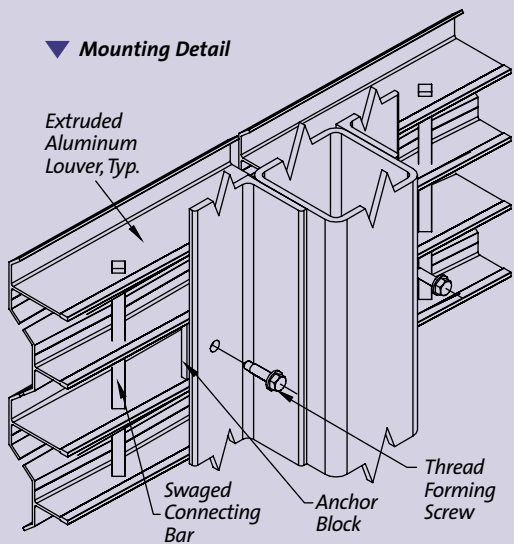
DG215

## DG Series Load Table:

PSF	DG115	DG215
20	9' 3"	11' 0"
30	8' 0"	9' 6"
60	6' 6"	7' 6"

\* Deflection limited to L/180

### ▼ Mounting Detail



OGi DG (Decorative Grille) Series products are made from fixed aluminum blades and are ideal for applications that require visual screening, enhanced security, and architectural accents. Examples include mechanical screens, dumpster enclosures, ornamental grilles and canopy infill.

### Features:

- Manufactured using 6000 series alloy aluminum blade extrusions.
- Designed to emulate popular metal façades while maintaining a lightweight, economical and weather resistant construction.
- Available in multiple configurations to allow for different percentages of visual block and open area.
- A channel frame can be provided for installation into façade openings.
- Custom spacing & finishes available.
- Extremely versatile – can be used for fences, gates, privacy screens, sunshades and drainable canopy infills.
- Meets LEED requirements for MR4.2 (20% recycled content)
- Made in USA

# EG SERIES



*Sleeve Detail  
EG0412*

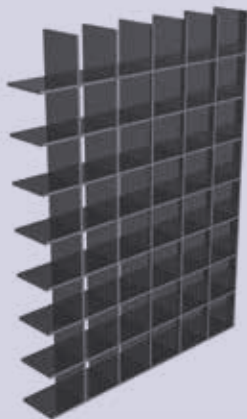
A variety of blade sizes, orientations, configurations and frames make OGi EG Series grilles a versatile choice.



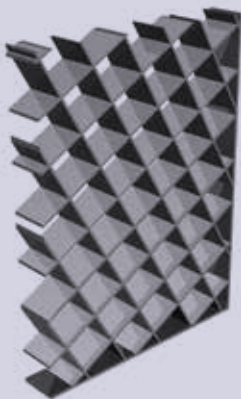
◀ *Sample:  
EGS  
45° bar  
rotation/  
slant*

The EG series grilles are extremely versatile ornamental products to enhance any building. Grilles can be manufactured with a single-barrel or double-barrel spacing to customize the look. These grilles can also be fabricated on the bias to create interesting geometric patterns. All EG series grilles can be manufactured from 1" to 6" in depth with customizable bar spacing from 2" up to 12".

All EG series grilles are produced from 6000 series alloy aluminum, carbon or stainless steel. Frames and mounting methods can be customized as well to suite your project needs. With OGi's channel frame system your grille can also be supplied with a different finish from the frame with no welding required.



◀ *Sample:  
EG*



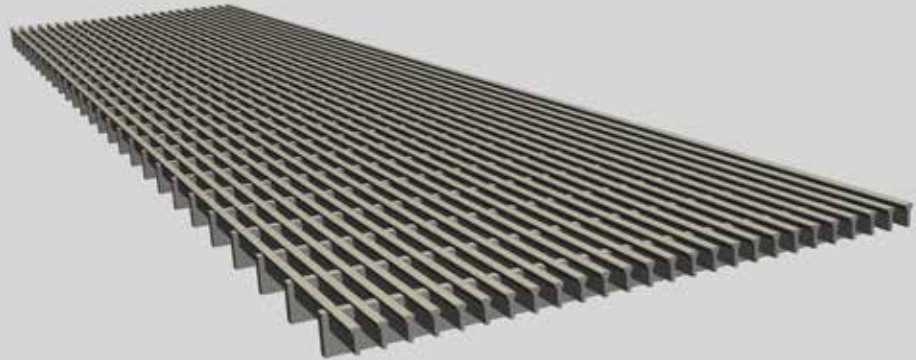
◀ *Sample:  
EGX*



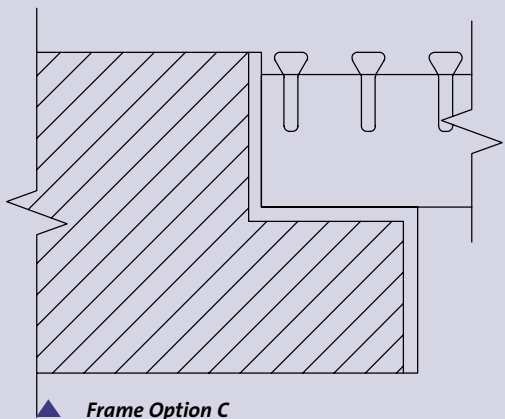
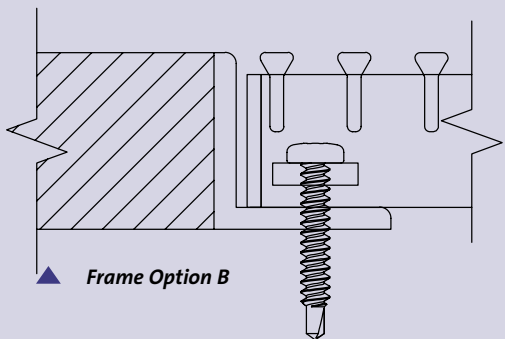
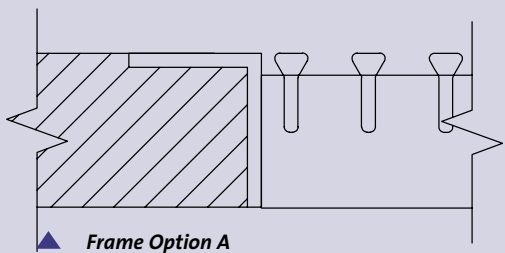
*Canopy Infill  
EG0404*

For Spans Of 12" Or Less	
VG163	Stainless Steel (304 or 316)
VG263	Aluminum
VG363	Carbon Steel

\* For spans over 12" contact OGi.



## VG Frame Options:



## The VG series grilles by OGi are more than your standard bar grating.

Beyond ventilation grilles, the VG Series has many potential applications such as tree grates, drain and trench grates for fountains, security screening and ADA light-duty walkways. These grilles are meant to serve both functionality and achieve ultimate aesthetic results.

The VG series profile bars are elevated above the structural bearing members to achieve a superior visual look that is clean and linear. All VG materials are pressure locked into place limiting any welds to the perimeter of the grilles leaving a flawless exposed surface. All VG series grilles are available in stainless steel, but other metals are available upon request.

OGi has a wide array of options for all loads from short span to long span applications. This product line is available with multiple concealed or visible fasteners. With several different frame, mounting and support options the VG grilles are very adaptable to most installations. Should a custom solution be needed, contact your manufacturer's representative. Using OGi's CAD design tools and precision manufacturing and fabrication methods will absolutely help bring your design concept to fruition.

# FENCING



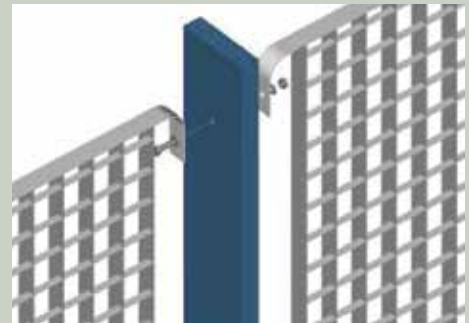
OGi PressLock carbon steel fencing is a superior system when a modern appearance and security are your primary concerns. PressLock fencing is available in a galvanized finish and can be completed with a super-durable polyester powder coat finish.

PressLock fence products can easily be fabricated into gate systems and offers a value engineered alternate to imported products. Customized mesh openings are available. PressLock fence and gate systems are provided as a turn-key product delivered on site ready for installation.

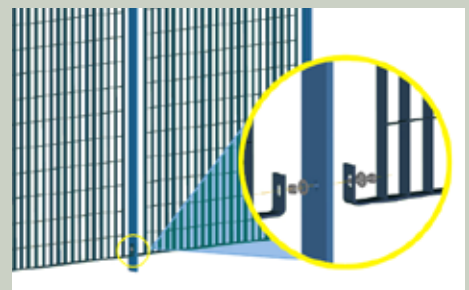
**1401 South State Street  
Dock Gate - Chicago, IL** ►  
*PressLock Palladium*



▲ **All Wars Memorial - Atlantic City, NJ**  
*PressLock Urban*



*PressLock Urban Connection Detail*



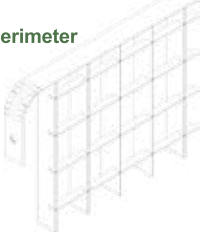


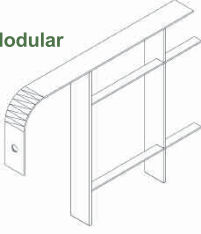


*PressLock Palladium Connection Detail*

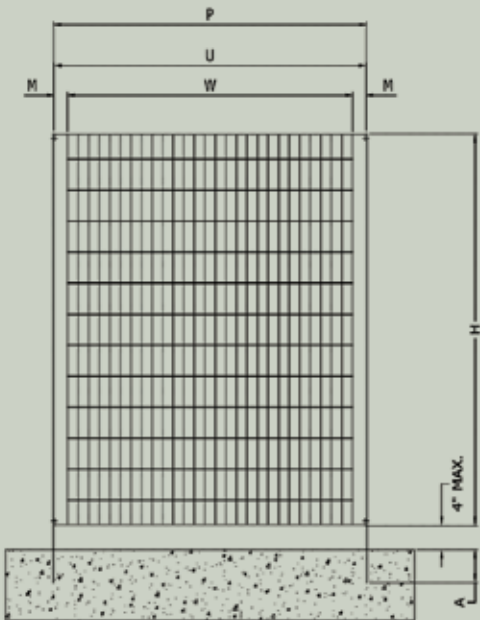
# FENCING



▲ Scenic Hudson River Walk - Tarrytown, NY  
Guardian

 <p><b>Urban</b></p> <p>Opening: 2-3/16" x 5-1/4" Bar Size: 1" x 12 gauge (.1046")</p>	 <p><b>Guardian</b></p> <p>Opening: 2-3/16" x 2-5/8" Bar Size: 1" x 12 gauge (.1046")</p>	 <p><b>Perimeter</b></p> <p>Opening: 1-3/4" x 1-3/4" Bar Size: 1" x 14 gauge (.0747")</p>
 <p><b>Palladium</b></p> <p>Opening: 1-3/4" x 5-1/4" Bar Size: 1" x 14 gauge (.0747")</p>	 <p><b>SafeGuard</b></p> <p>Opening: 2-3/16" x 5-1/4" Bar Size: 1-1/2" x 3/16"</p>	 <p><b>Modular</b></p> <p>Opening: 3-15/16" x 3-15/16" Bar Size: 1" x 12 gauge (.1046")</p>

*Spacing Dimensions are Center to Center*



▲ PressLock Fencing Detail

OGi can custom manufacture and fabricate most mesh sizes or panel configurations required. Contact our sales team for assistance. Refer to the chart below for more specific information on how to specify post and various panel sizes. All product are available with either a **pre-galvanized** or hot-dipped galvanized base. Aluminum fence is available upon request.

## How To Specify

Post Size	"H" Panel Height	"A" Anchorage Length	"P" Post Centers	"U" Unit Width	"W" Grille Width	"M" Mounting Projection
2-1/2" x 1/2"	36"	8"	up to 76-1/2"	up to 76"	up to 72"	2"
2-1/2" x 1/2"	48"	8"				
2-1/2" x 1/2"	60"	10"				
2-1/2" x 1/2"	72"	12"				
2-1/2" x 1/2"	96"	14"				

# FENCING



OGi LG Series louver products are manufactured using 6000 series alloy aluminum blade extrusions and are available in a wide variety of sizes and finishes. Six different configurations offer varying percentages of visual block and open area.

OGi LG products are made from fixed aluminum blades and are ideal for applications that require visual screening and open air flow with enhanced security.

The LG and PressLock Series Fence Systems meet LEED requirements for MR4.2 (20% recycled content).

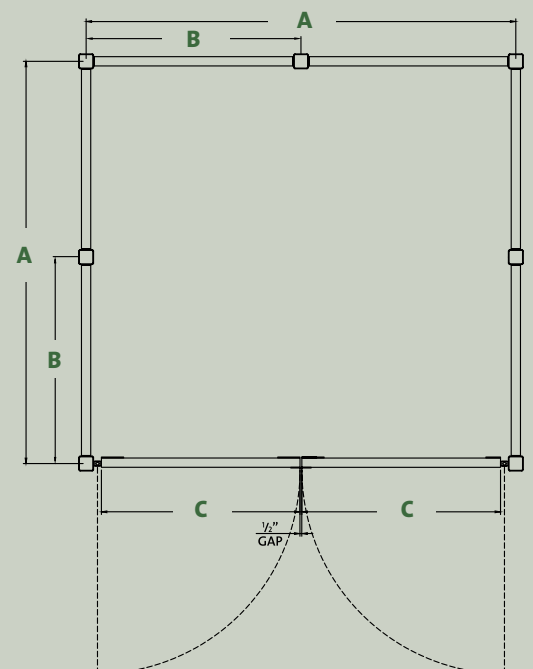
▼ **Keller Animal Hospital**  
**LGLi 100**



▲ **Terrebone Parish N. Branch Library - Louisiana**  
**LG100**

### Enclosure Size Table:

A	B	C
10'	5'	4.5'
20'	10'	9.5'



WWW.OHIOGRATINGS.COM





▲ *Charles Pointe Office Building  
Bridgeport, WV  
LG80*

**LG Series Load Tables:**

PSF	LGLi100	LGLi80	LGLi60
20	9' 6"	8' 9"	8' 3"
30	8' 3"	7' 9"	7' 0"
60	6' 6"	6' 0"	5' 9"

PSF	LG100	LG80	LG60
20	11' 9"	11' 0"	10' 0"
30	10' 3"	9' 6"	8' 9"
60	8' 3"	7' 6"	7' 0"

\* Deflection limited to L/180

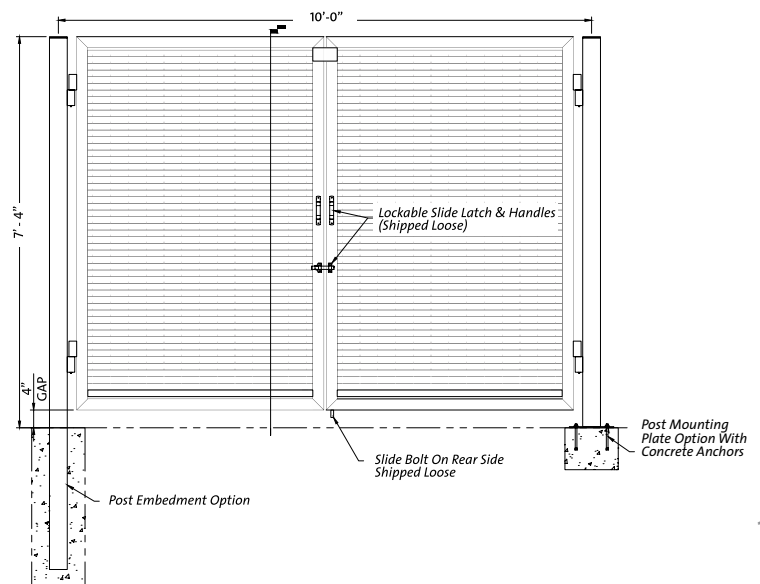
*OGi offers four sided dumpster enclosures in pre-engineered sizes available in both 10' x 10' or 10' x 20'. Please contact the factory for custom sizes.*

*Various finishes and fabrication options are available.*

TOLL FREE: 1-800-321-9800

OGi trash containment systems integrate the LG Series fixed aluminum louver products into fencing and gate applications for visual screening. Visual block is available from 60% up to 100%. Gate systems are fabricated from aluminum louvers and either aluminum or steel frames with lockable hardware and hinges. OGi offers turn-key systems ready for installation, including posts and installation hardware. Complete your trash containment or mechanical screen using the OGi UniFlange installation system to create a seamless screen wall.

▼ **Gate Elevation View**

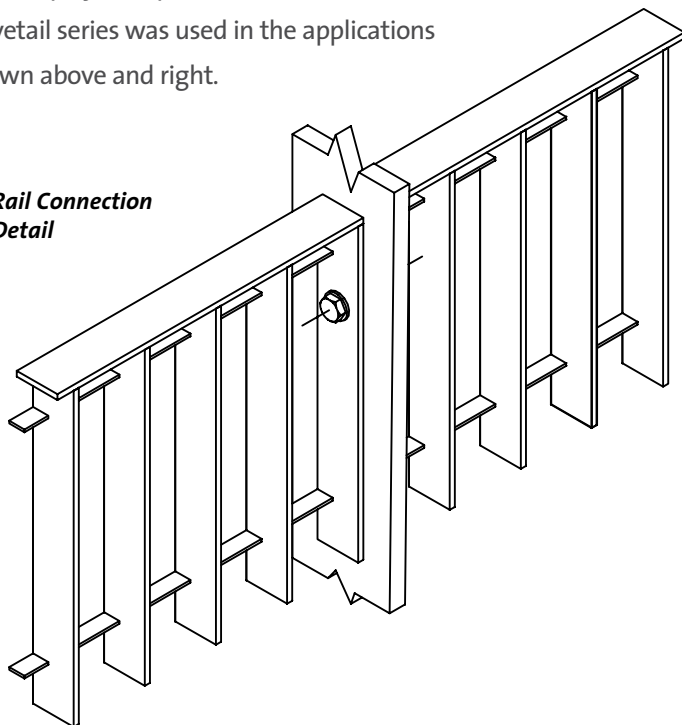


# RAILING



OGi handrail systems can be manufactured from our swaged, dovetail or PressLock configurations and are produced from aluminum, carbon or stainless steel. Many bar sizes and mesh openings are available. Finish options include mill, anodized, super durable polyester powder coated or PVDF. Our Aluminum Dovetail series was used in the applications shown above and right.

▼ Rail Connection Detail



▲ World War II Museum  
New Orleans, LA  
19ADT8



▲ Mesa Community College  
Mesa, AZ  
19ADT4

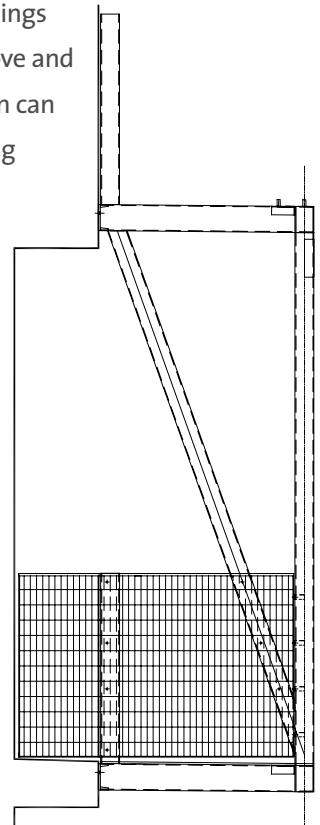


▲ 1401 South State Street  
Chicago, IL  
56PL21



▲ 1401 South State Street  
Chicago, IL  
56PL21

With a wide variety of mesh openings and fabrication options, OGi handrail systems can be integrated into any application. Mesh openings can be designed to create anti-ladder openings that provide additional safety features above and beyond national building codes. Fabrication can also offer integrated rail caps and mounting frames for ready-made installation. These versatile products offer multiple handrail infill solutions for interior and exterior applications.



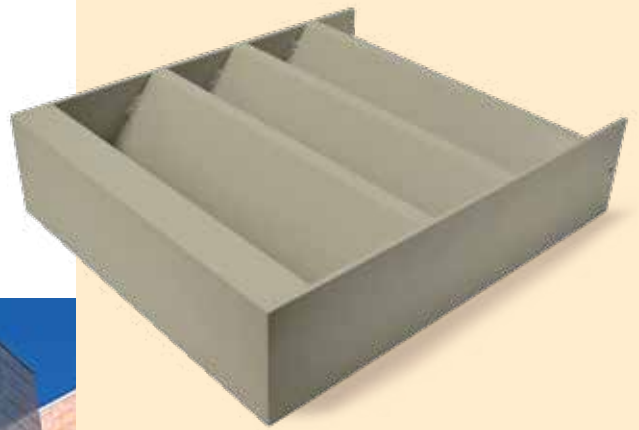
Detail: ►  
PressLock Handrail  
Structural Steel Frame

# SHADING



OGi offers extruded aluminum blades specifically designed for sunshade applications. OGi extruded aluminum blades and other profiles are available in a variety of sizes and are designed to integrate into the OGi sunshade assemblies. Sunshade blades, in addition to being durable, offer a contemporary appearance. Your blades, or any other assembly, can be completed by adding an anodized finish, PVDF or polyester powder coat paint.

▲ *Allegheny Energy Transmission Headquarters - Farimont, WV  
SH6A*

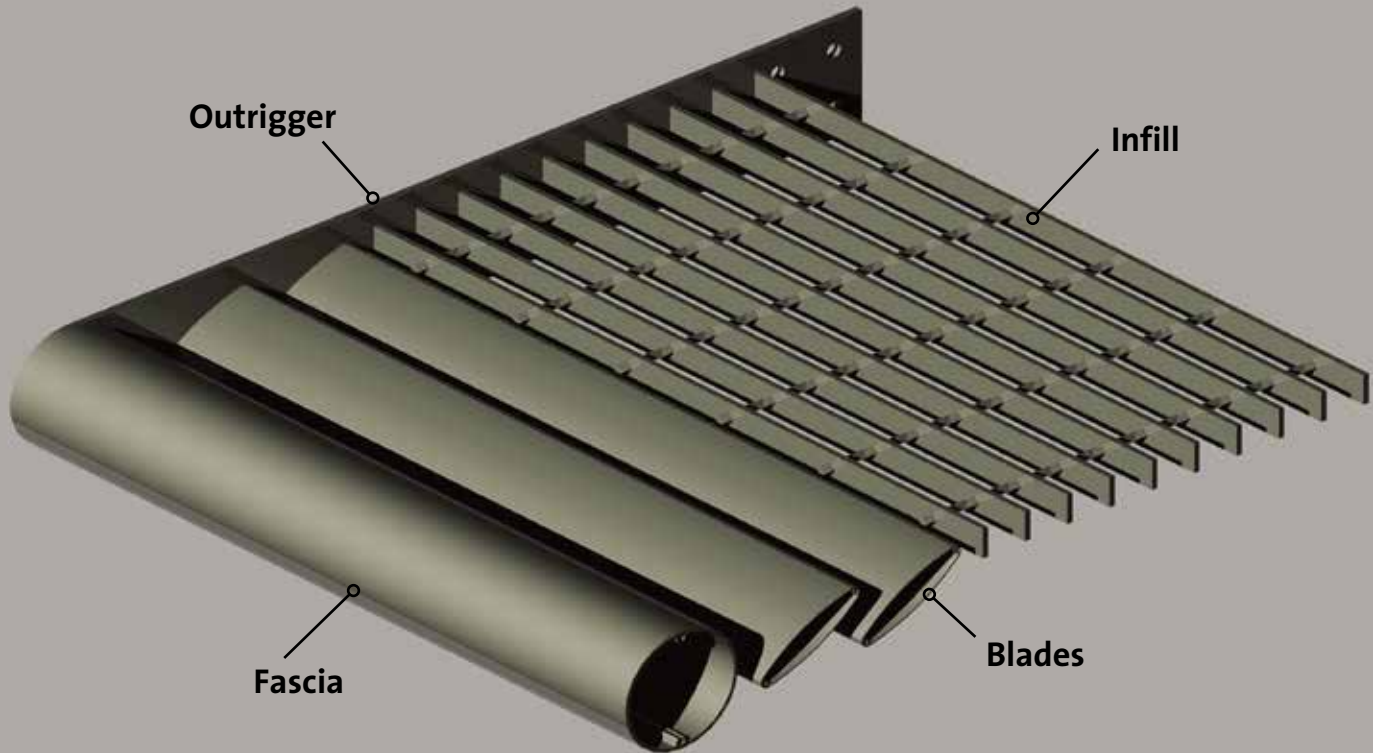


▲ *Sample:  
Z-Blade construction, see page 20  
for details*

◀ *University of Pittsburgh Medical Center  
Pittsburgh, PA  
SH5ZC*



# SHADING



▲ *Sunshade System Diagram*



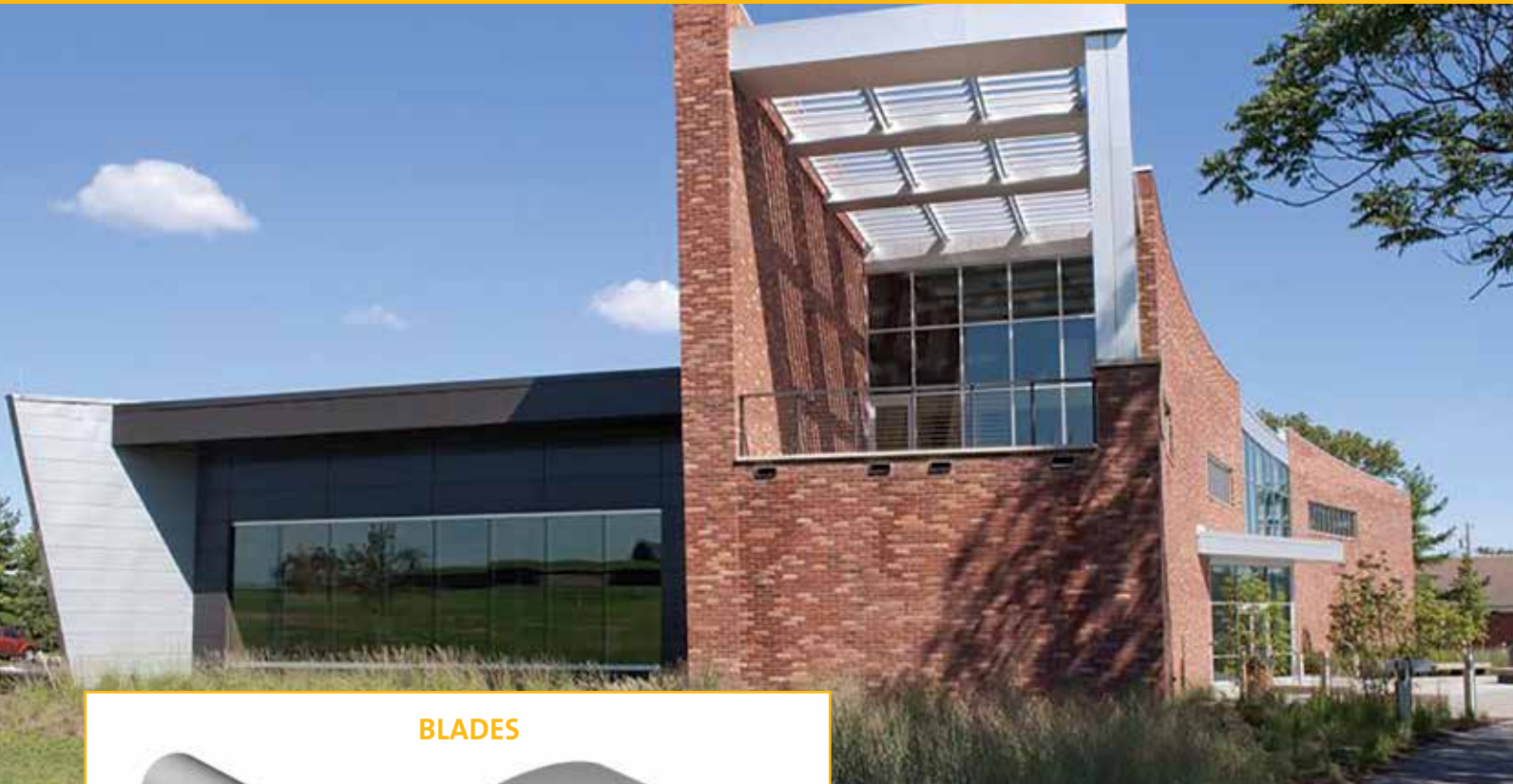
▲ *Princeton University Chemistry Building  
Princeton, NJ  
EG0303*

*First Church of Pearl and  
Pearland, TX  
SH2R* ▶

OGi sunshades can be fabricated in a variety of ways. Primarily the shade blades or screens are mechanically fastened to outrigger plates. The units can also be welded when required. Aluminum outriggers come in a wide variety of shapes and sizes and will all be reviewed to meet all performance criteria needed to meet local building codes.



# SHADING



## BLADES



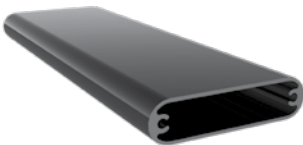
### Round

Model Designation R  
Sizes: 1", 2", 3" or 4"



### Airfoil

Model Designation A  
Sizes: 4", 6" or 8"



### Shutter

Model Designation S  
Sizes: 1/2" x 1" - 4"



### Rectangular

Model Designation T  
Sizes: 1" - 2" x 1" - 4"



### Square

Model Designation Q  
Sizes: 2" - 8"



### Z-Blade

Model Designation Z  
Sizes: 4", 5" or 6"

▲ **Fort McHenry Memorial**  
Baltimore, MD  
SH6A

## FASCIAS



### Round\*

Model Designation R  
Sizes: 1", 2", 3" or 4"



### Wedge

Model Designation W  
Sizes: 6"



### Rectangular

Model Designation T  
Sizes: 1" - 2" x 2" - 4"



### Channel

Model Designation C  
Sizes: 4", 5" or 6"

**Note:** Any of the blades shown can be customized for various spacing or angle requirements. Lengths and spans based on local building codes.

\***Note:** Bullnose (B) also available.



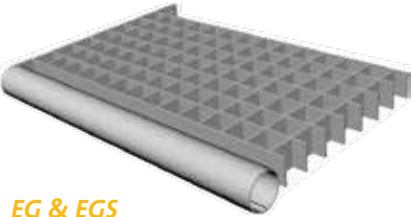
▲ 540 West Union Street  
Athens, OH  
LG60

OGi sunshades offer a lightweight system with up to 100% solar block!  
LG Series extruded fixed aluminum louvers are excellent for sunshade

applications. The extruded fin at a 45° angle helps to block more solar heat gain with less weight. It also offers an appearance somewhere in between SG Infill and airfoils typically seen in sunshade applications.

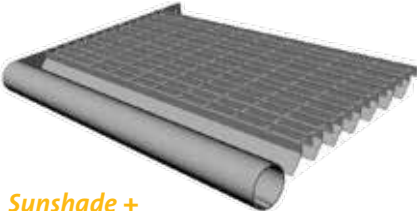
Like SG Infill, the LG Series has a great deal of flexibility in bar spacing and easily integrates into all OGi sunshade parts. Because of the louver design, it is capable of spans up to 12'. Consult your manufacturer's representative for more detailed information.

### INFILLS



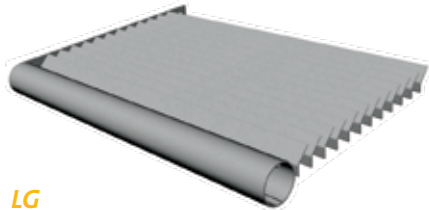
#### EG & EGS

- Solar Block up to 72° above horizon.
- up to 4' Width
  - up to 12' Length
  - 1"-12" openings
  - 1"-6" depths



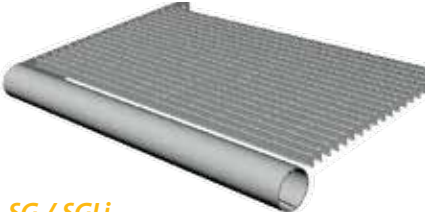
#### Sunshade +

- Solar Block up to 70° above horizon.
- up to 4' Width
  - up to 12' Length



#### LG

- Solar Block up to 100° above horizon.
- up to 4' Width
  - up to 12' Length



#### SG / SGLi

- Solar Block up to 70° above horizon. Also available in *I-Bar* and *LiteBarScreen* profiles.
- up to 4' Width
  - up to 12' Length

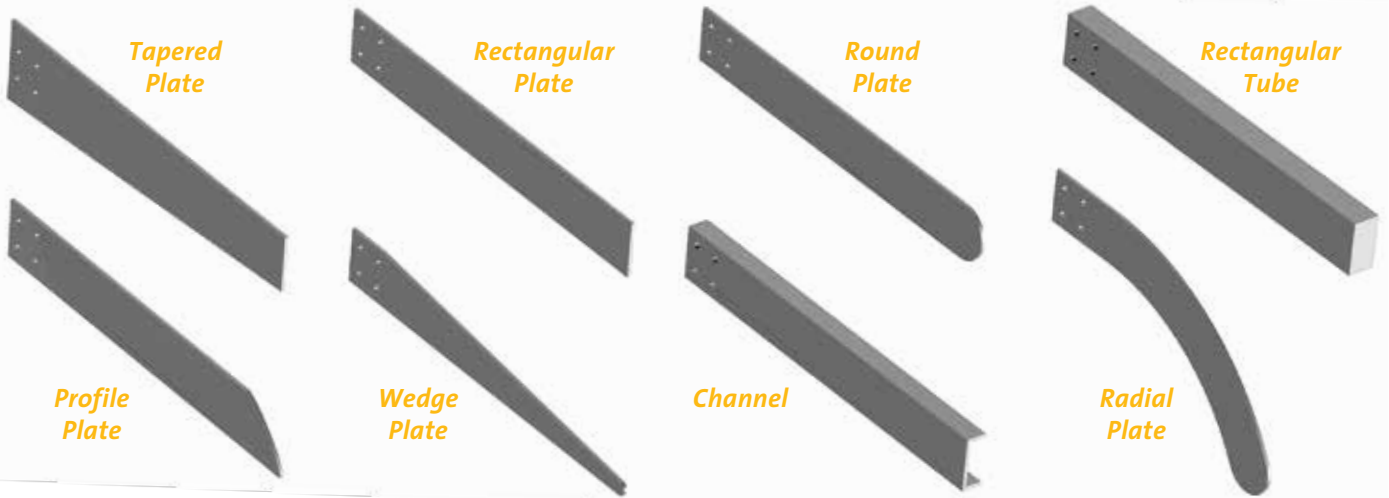
# SHADING



OGi shading screens can be mounted to outriggers in a number of different ways. Typically the shade screens will be mechanically fastened or welded to the outriggers. Custom designed outriggers can also allow for the shading screens to be mounted to the top of these supports and, pending engineering design review, can extend beyond these supports for a unique look to your sunshade design.

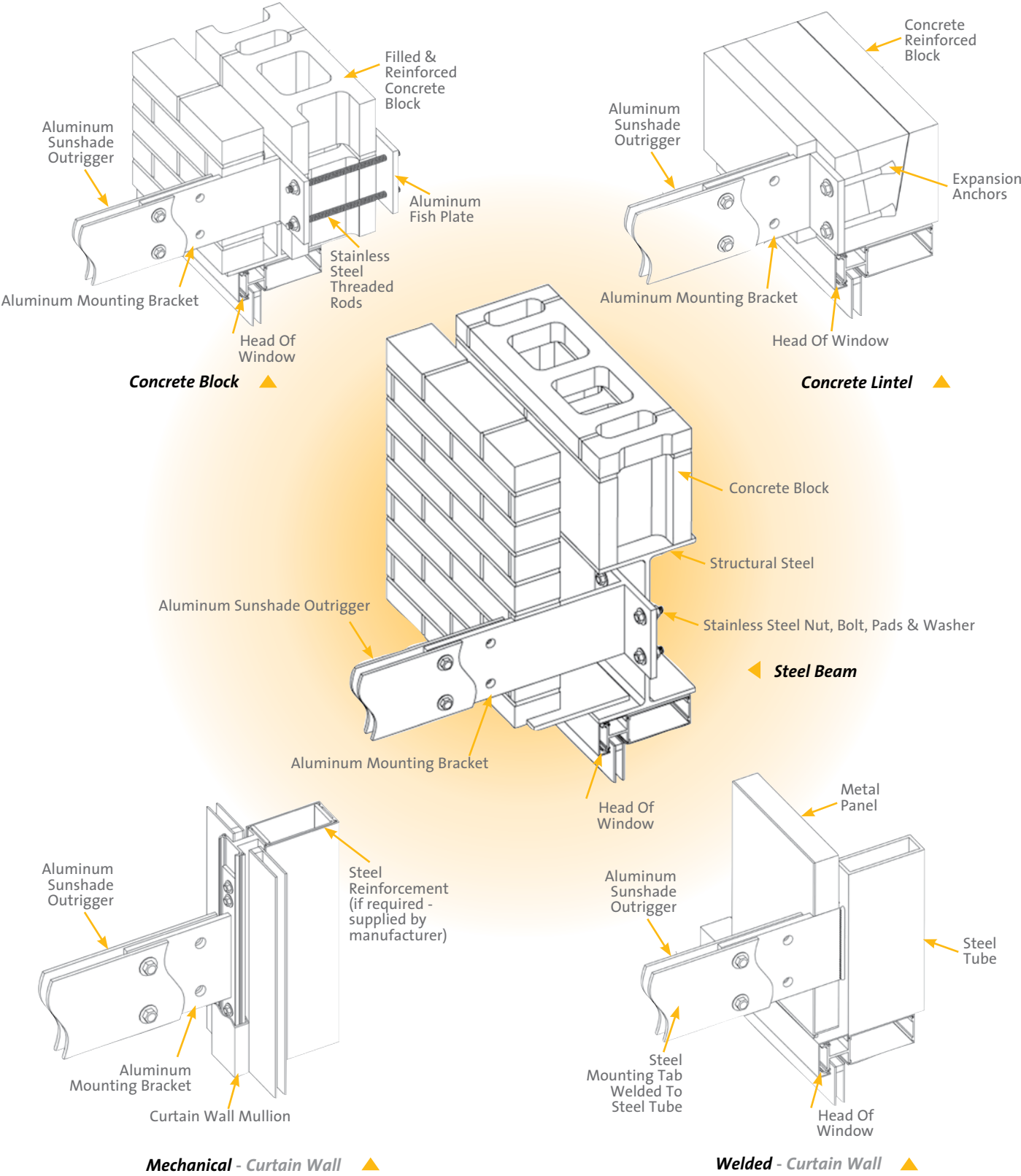
▲ *Mesa Community College  
Mesa, AZ  
EG0104*

## OUTRIGGERS





# SHADING



# SHADING

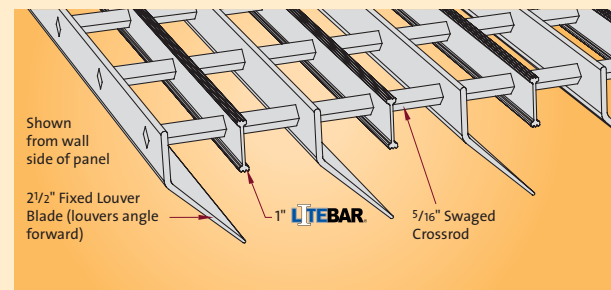


**Sunshade +** is a lightweight walking surface and shading system. It allows for the benefits of a sunshade with conventional shading properties.

It has been pre-engineered for various spans to carry a 300 pound concentrated load or a 100 PSF uniform load. This product is manufactured from 6000 series aluminum alloy, and carries all of the inherent features: lightweight, durable, resilient to loading deflections, high strength to weight ratio, versatile and can easily be customized to fit any size application.

**Sunshade +** is manufactured by utilizing the traditional swaging method. It uses a combination of 2-1/2" louver blades for shading and 1" LiteBar® to enhance the stability of the product for foot traffic. With the material being lightweight, it offers a practical solution for reducing overall loading fatigue on a building structure. This is a green product and is eligible to earn LEED Credits. In addition, **Sunshade +** is offered with a variety of finishes including anodized, powder coated or PVDF to enhance the aesthetic appeal of the product.

## ▲ *OGI Property - Canton, OH* *Sunshade +*



## ▲ *Detail: Sunshade +*



▲ **EMD Serrano Building - Boston, MA**  
**SG16**

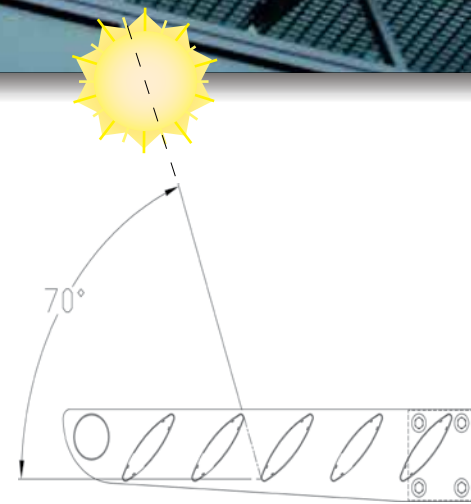


▲ **Kiosk Sunshade**  
**Baltimore, MD**  
**SG32**

OGi SG Series sunshade systems can offer up to 100% solar block at any sun angle. Our SG Infill products are light weight and have a wide variety of bar spacing and size options. SG Infill is available in select aluminum styles, with a LiteBar® option to further reduce the overall weight. Also available in light gauge steel.

All SG Series products easily adapt into OGi sunshade accessory components creating an interchangeable kit of parts to play with when creating the ideal sunshade for your building project.

SG and SGLi Infills offer the same solar block attributes while giving a slightly different look and offering alternatives on the product weight. With a diverse mix of mesh openings and profiles to choose from, OGi SG Infill sunshade systems can meet any shading design criteria while providing an attractive and contemporary product. Bar spacing, depth and profiles may be varied to produce any level of shading desired. Most sunshade applications are designed around a sun angle of 70° above horizon.



▲ **Degrees Above Horizon**

# SHADING



© Nic Lehoux.

OGi EG Infill sunshades are ideal products for a full depth sunshade system that will offer up to 100% solar block at any sun angle. The EG sunshades are made from both 6000 series aluminum or thin gauge, grade 50 carbon steel and can come in a variety of mesh patterns and bar sizes. All EG products are easily integrated into OGi sunshade components creating a customized sunshade system that is perfectly suited to your building's aesthetics and budget.

EG sunshades offer solar block attributes while giving a unique look different from all other sunshades. With the variety of mesh patterns and bar depths, EG sunshades can meet any solar or physical load required by building code or LEEDs. The bar depth and spacing may easily be varied to meet any shade level desired. Please consult with your manufacturer's representative to find the optimal specification for your sun shading needs.

▲ *University of California San Diego Structural Materials Engineering Building - San Diego, CA EG0102*



▲ *Accident Fund Insurance - Lansing, MI EG0204*



▲ *Gateway Community College*  
New Haven, CT  
SH4A



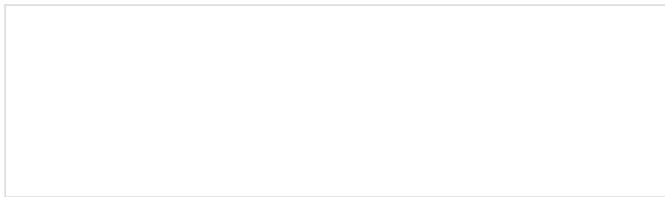
▲ *Cambria Suites - Pittsburgh, PA*  
SH6AW

OGi aluminum blade sunshades come in a variety of profiles for both small customized installations as well as for larger sized structures. All blades are extruded from 6000 series aluminum and can either be mechanically fastened or welded to OGi sunshade components to complete your sunshade system. All blades can function as a shading device or trim piece depending on your design. Outrigger components can be tailored to suite these designs when profiles are mixed and matched.

OGi aluminum blade sunshades can vary in size from single blade 'eyebrow' installations to monumental projecting shades that have integrated tie-rod systems for additional support on projections over three feet from the face of the building façade. All OGi sunshade systems can come in a wide array of finishes from anodized [aluminum only] to 70% PVDF coatings. Hot-dipped galvanized and super-durable polyester powder coat finishes are also available for carbon steel sunshade systems when required.

# POWDERCOAT COLORS

## *Standard Architectural Colors:*



*White*



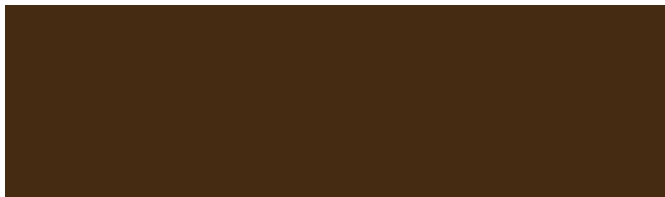
*Light Gray*



*Medium Gray*



*Dark Gray*



*Dark Brown*



*Black*



*Light Brown*



*Medium Blue*



*Green*



*Brick Red*

*The colors shown on this page are reproduced as closely as possible, and are to be used only as a guide. Upon request, Ohio Gratings will send you an actual color chip.*

*AAMA 2604 is the standard tier of performance coating in the architectural market and is guaranteed for 5 years. Polyester powder coat finishes are readily available in this category and applied on-site at the OGI Canton, Ohio facility. OGI can match any classic RAL color in an AMMA 2603 or 2604 version (non-metallics). A variety of glosses can be matched as well.*

*Liquid PVDF (polyvinylidene fluoride) 2 coat and 3 coat are also available in the AAMA 2605 class with a 10 year warranty. Contact OGI for more details.*

# OTHER MARKETS



*Bridges*



*Utility Vaults*



*Material Handling*



*Environmental*



*Industrial*

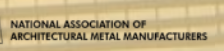
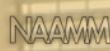
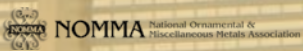


*Parks and Recreation*

# ARCHITECTURAL METAL SOLUTIONS ...UNLIMITED POSSIBILITIES



© Nic Lehoux.



**OGI Architectural Metal Solutions**  
an Ohio Gratings Company

5299 Southway Street SW □ Canton, OH 44706

1-800-321-9800 □ Fax 330-477-7872 □ [www.ohiogratings.com](http://www.ohiogratings.com)