

# NEW HOLLAND

*Church Furniture*

## *Wood Chairs*

Product Introduction · Product Selection



*Setting the Industry Standard™*





*Holy Cross Catholic Church, Euclid, OH*  
*Architect: Feinknopf Macioce Schappa Architects, Inc., Columbus, OH*  
*Ecclesial Designers: Norbert and Victoria Koehn, South Euclid, OH*

## *New Holland Church Furniture's Commitment To You*

Designing and buying church furniture is a significant decision that will influence your worship community for many generations.

As the leading producer of “custom” church furniture, our objective is to enhance your worship experience.

New Holland's commitment to meeting your needs is unique in the work we do. It begins with our initial encounter and qualified assessment of your needs, and continues through every phase of designing and crafting your solid wood chairs.

New Holland's team of dedicated craftsmen, design professionals, and sales consultants will listen to you and help transform your requirements into classic church furniture.

Since 1919, we have been committed to providing quality furniture products to our customers.

New Holland's combination of timeless design, precise craftsmanship, and fine natural wood produce an investment that will last for generations.

At New Holland, If You Can Imagine It We Can Build It!



*Setting the Industry Standard™*

# Flexible Seating with Upholstered Wood Chairs

## Flexible, Durable, and Beautiful.

For generations, the preferred option for seating in the worship area was traditional church pews. Today, even though this choice remains the principal type of seating for most houses of worship, there is a growing trend toward natural solid wood, interlocking chairs for seating.

### Maximum Flexibility

New Holland's solid wood chairs provide a great deal of flexibility and can complement the worship experience in combination with traditional pews, or as dedicated seating in the worship area.

### Interlocking

New Holland offers an optional interlocking system for all of our solid

wood chairs. This interlocking system will maintain perfect alignment in both the straight and radius seating configurations. Our latest 300 and 600 series chairs also provide continuous "pew-like" seating which will maximize the seating capacity when interlocked together.

### Stackable

When solid wood chairs are used in a multi-purpose or all-purpose facility, the chairs can be stacked and stored in a minimum amount of space.

### Multiple Seating Units

In addition to New Holland's single solid wood chairs, we offer double and triple seating units in the 300 and 600 series chairs. These double and triple

units will maximize your seating capacity and reduce the cost per seat.

### Quality Products

New Holland Church Furniture has earned the mark of quality workmanship. New Holland Church Furniture has been a member of the Architectural Woodwork Institute since 1986. AWI is an independent non-profit organization that sets stringent, high standards for the woodworking industry nationwide. These independent quality standards are built into every New Holland product. Consider choosing only a manufacturer who is a member of the AWI and meets their quality standards.

*Look for the AWI seal.*



*The Old Stone Church (Griffith's Chapel), Cleveland, OH • Architect: Sandwick Architects, Cleveland, OH  
310 Solid Wood Chairs*



# Flexible Seating with Upholstered Wood Chairs



*Aquinas House Chapel, The Catholic Student Center at Dartmouth, Hanover, NH • Architect: Banwell Architects, Lebanon, NH • 510 Solid Wood Chairs*

## Durable For Generations To Come

New Holland Church Furniture is proud to “Set the Industry Standard” for solid wood chairs. Since 1919, we have taken great pride in producing high quality wood products, using the finest wood, finish, fabric, and manufacturing technology available. We understand the necessity of your furniture lasting for generations to come.

Solid wood chairs, by their flexible nature, can be moved as frequently as desired. That’s why New Holland believes solid wood chairs must be manufactured with the very best wood joinery available. New Holland’s solid wood chairs resist damage due to the stress of movement and people leaning back on the rear chair legs.

## Beautiful Natural Wood

The natural beauty of solid wood upholstered chairs simply cannot be compared with chairs manufactured using materials other than natural solid wood. New Holland’s solid wood chairs are designed and manufactured to enhance the architecture of the worship area.

## The Finest Woods

New Holland uses only the highest grade FAS (as specified by the National Hardwood Lumber Association, NHLA and Architectural Woodwork Institute, AWI) Northern Appalachian Red Oak. *There is no particle board used in New Holland’s chairs.*

## Finish Varieties

New Holland’s solid wood chairs can be finished to match existing furniture or custom finished to match

your designer’s specification. New Holland also offers a wide variety of standard finishes.

## The Finest Fabric

For your convenience when ordering solid wood chairs with upholstered seats and backs, New Holland offers a wide variety of the highest quality fabrics. All solid wood chairs are upholstered in our shop, conforming to our commitment to provide consistent quality in everything we do.

All New Holland standard fabrics have passed the National Association of Furniture Manufacturers (NAFM) testing for abrasion resistance, tear strength, shrinkage, fading, stretching, and color fastness. Plus, all New Holland fabrics are treated with **Teflon**® (or equivalent) fabric protector.

*Setting the Industry Standard™*

**NEW HOLLAND**  
Church Furniture



# Components of Solid Wood Chairs

The illustrations on these two pages demonstrate why New Holland Church Furniture “Sets the Industry Standard” for solid wood chairs. The decision you make to buy solid wood chairs will have an effect on your congregation for generations to come. Our team at New Holland understands the critical nature of this decision. All New Holland solid wood chairs are engineered and manufactured using the most durable joinery possible with no particle board or wood substitutes.

## Highest Stress Point

The weight from a person seated in a solid wood chair is distributed to both the seat bottom and seat back, as illustrated below and on the opposite page.

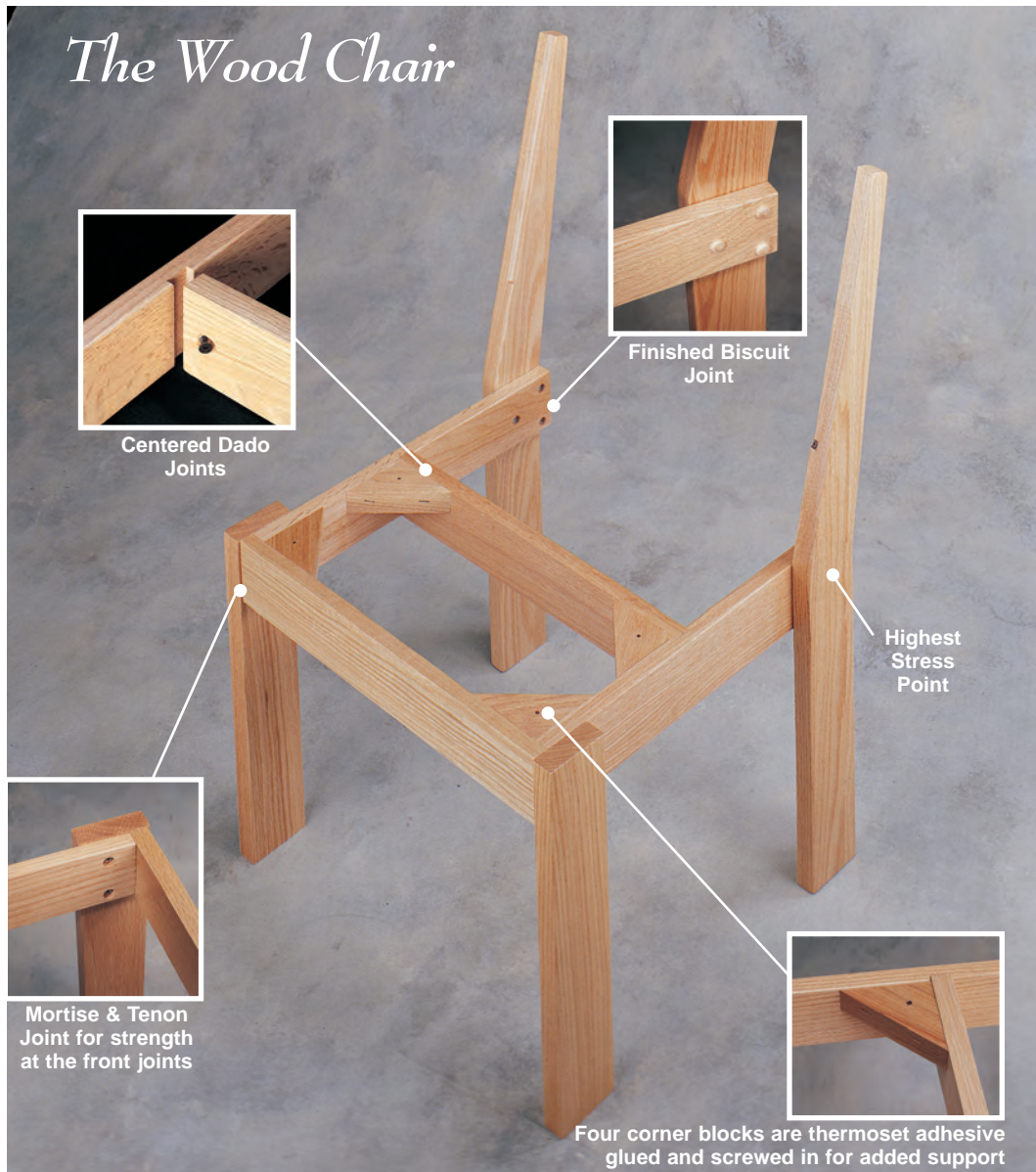
The highest stress point on any chair, as well as a solid wood chair, is at the intersection of the rear vertical leg and the seat foundation. When a person leans back on the chair (by lifting the front legs from the floor) a tremendous amount of additional stress is applied to

this area and is the reason why this joint is so critical to a solid wood chair.

## Biscuit Joint

The biscuit joint system is the best and most durable joint for this high stress area.

New Holland cuts a vertical groove in the back vertical leg and in the horizontal side rail. When these two pieces are assembled, a wood biscuit is placed in this grooved area and the two

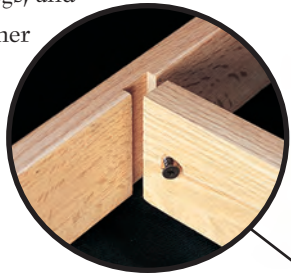


# Components of Solid Wood Chairs

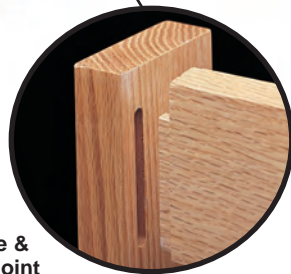
pieces are *thermoset adhesive glued* together to keep the joint stable and resist movement. New Holland's thermoset adhesive gluing system has a superior structural strength performance that exceeds the bonding strength of normal hot glue, epoxy, or PVA gluing methods. After the joint is assembled, three (3) steel screws complete this superior construction joint.

## Mortise and Tenon Joint

The next high stress area on a solid wood chair is the intersection of the front legs and the front seat rail. New Holland uses a mortise and tenon joint at both front corners reinforced with solid wood corner blocks. The joint is thermoset adhesive glued together, then the side rails are glued and screwed to the front legs, and finally, solid wood corner blocks are thermoset adhesive glued and attached to each corner to complete this superior joint.



Dado Joint



Mortise & Tenon Joint

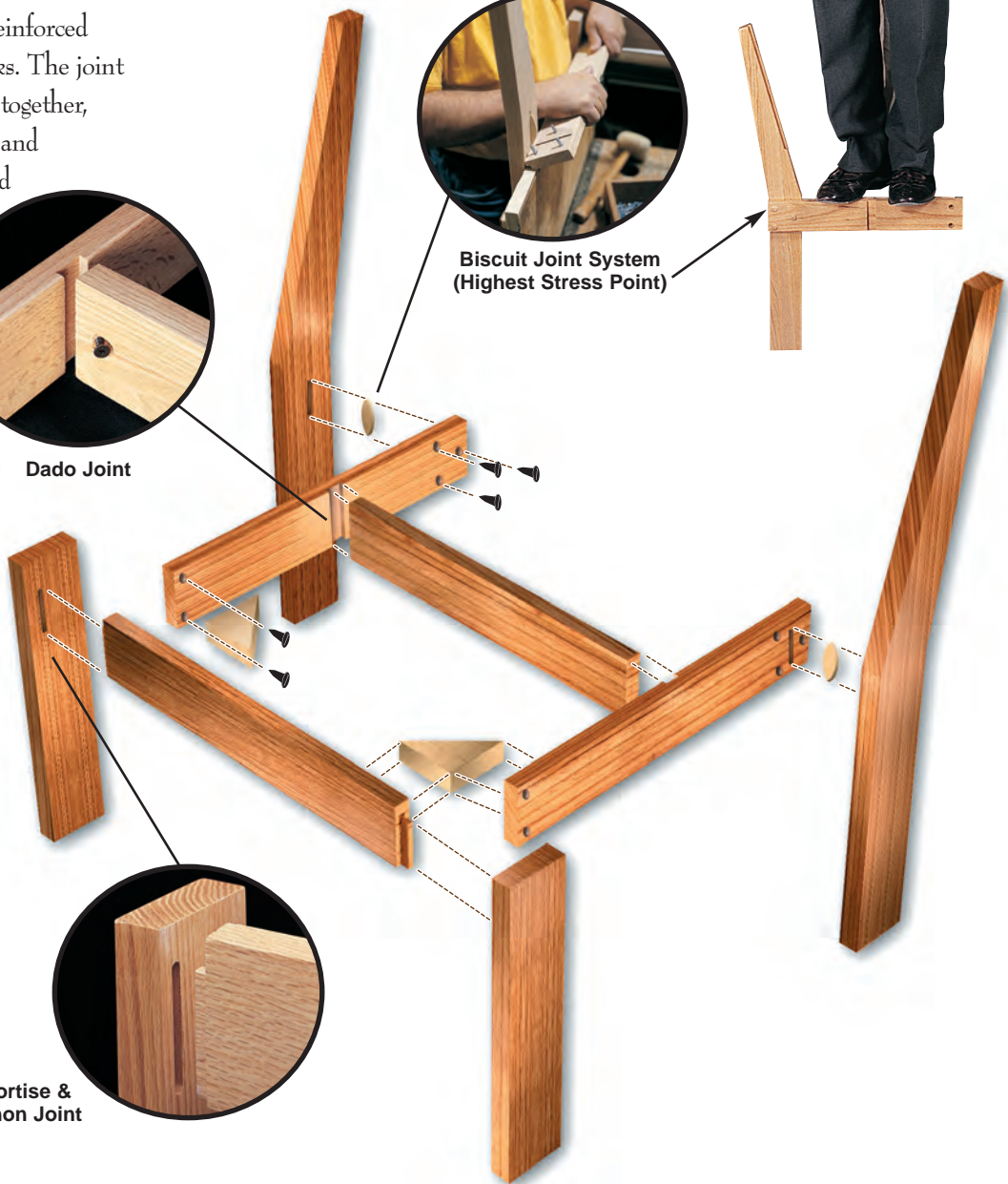
## Center Stringer Support

Another stress point is at the center of the seat foundation. The center stringer support carries the live load of the person seated in the chair and also absorbs any twisting movement of the person seated.

New Holland creates a Dado joint system at this stress point. Each side rail has a groove cut into the stringer area (the Dado) and the center stringer is thermoset adhesive glued and screwed into position. This Dado joint will absorb the stress placed on this joint and help to maintain the solid wood chairs structural integrity.



Biscuit Joint System (Highest Stress Point)





# Components of Solid Wood Chairs



*Avoid: mitered seat joints. They are not as strong and can open.*

## Joinery

The simple fact is that joinery must be a major consideration in the purchase of solid wood chairs. The use of poor joinery systems, such as the two pictured on the left, will not last for generations to come.

Price cannot always be measured by initial cost. A high quality product costs less in the long run.

## Interlocking Options

One of the most beneficial and flexible aspects of solid wood chairs is the option to interlock chairs together for a uniform seating arrangement.

New Holland offers two options for interlocking solid wood chairs together.



*Avoid: seat joints that have only glue and screws. Although this has a strong finger joint at the seat corner, the stress point between the seat frame and the back leg is still **only** glued and screwed together.*



*New Holland's Interlocking Pin*



*New Holland's biscuit joint system with thermoset adhesive gluing provides the best solution for strength at the highest stress point.*

## Metal Interlocking Pin

The metal interlocking pin is an option that can be added to any solid wood chair manufactured by New Holland.

This simple method of interlocking solid wood chairs together offers the congregation the option to place the chairs in a straight-in-line seating arrangement or place the chairs in a radius (curved) seating arrangement.

## Interlocking Book Racks

Another interlocking option offered by New Holland is the center interlocking book rack.

This book rack provides a straight-in-line seating configuration while offering the convenience of center book storage between the chairs.

This interlocking book rack option is available with the 400 and 800 series solid wood chairs.



*New Holland's Interlocking Book Rack*

## Standard Book Racks

All but one of New Holland's solid wood chairs are manufactured with an under seat book rack. The 600 series chairs include a back mounted book rack.



# Upholstered Solid Wood Chairs

**M**ost solid wood chairs manufactured by New Holland Church Furniture include fully upholstered seats and backs. However, New Holland also offers chairs with solid wood seats and backs and the true natural rush woven seats (800 series).

## Fabric and Foam

New Holland provides the highest quality fabric available for lasting beauty and wear, and we offer a wide variety of fabric selections in our standard fabric line.

However, New Holland can also provide custom upholstery with virtually any fabric that may be specified for an additional charge.

Seats are upholstered over 2 inches of foam padding with a density rating of 2.5. All seat backs are upholstered over 1 inch of foam padding with a density rating of 1.45. To insure quality control at the highest level, all solid wood chair upholstery is done at the New Holland facility.



## Finishing

An inadequate finish on a solid wood chair will detract from the natural beauty and durability of the chair. New Holland Church Furniture uses the finest and most durable finishing system available anywhere.



*New Holland's craftsmen hand stain all of our church furniture.*

## Hand Rubbed Staining

New Holland's standard finishing method "hand rubs" the stain into the grain of the wood. "Hand rubbing" the initial stain and "cross wiping" it into the wood provides deeper penetration into the grain enhancing the wood's natural beauty.



*After hand staining, New Holland's craftsmen apply a vinyl sealer and then a top coat.*



*New Holland's finish can even withstand nail polish remover.*



*Other finishes can be ruined by the solvents in nail polish remover.*

The initial stain can be sprayed on because it is faster and more economical, but hand-rubbed staining seals the wood's natural grain appearance.

## AWI Conversion Varnish Finishing System

After staining, we apply a vinyl sealer that seals the wood before applying our top coat.

New Holland uses the Architectural Woodwork Institute (AWI) premium conversion varnish finish system on all of our products. This high quality conversion varnish finish is highly resistant to scratching, household chemicals, and body oils.

The photograph above illustrates the ability of New Holland's superior finish to withstand nail polish remover being applied to the surface. The second photo illustrates the result when it is applied to a lower quality finish.

*Setting the Industry Standard™*

**NEW HOLLAND**  
Church Furniture



*Beautiful  
Comfortable  
Solid Wood  
Chairs*



*Shown with New Holland's  
810 Chair with Upholstered  
Seat, Optional Kneeler, and  
Optional Custom-Routed Back*

*Trinity Episcopal Church, Toledo, OH  
Architect & Liturgical Designers: Rogers Krajnak Architects, Inc., Columbus, OH*



*Shown with  
New Holland's  
810 Rush Chairs  
and Pews*



*Photo: Lee Brauer Photography, Inc.*

*Church of the Redeemer, Mechanicsville, VA • Liturgical Design Consultant: Richard S. Vosko  
Architect: Lawrence Cook Associates, Falls Church, VA*





*New Holland's 610 Chairs  
include a Back Mounted  
Book Rack*

# *Beautiful Comfortable Solid Wood Chairs*

*Lutheran Church of the Good Shepherd, Olney, MD  
Architect: DCMM Architects, Gaithersburg, MD*



*Shown with  
New Holland's  
610 Chair*



*Front Chairs shown with optional Below Front Rail  
Under Seat to Front Book Rack*

*Setting the Industry Standard™*





## 300 Series Solid Wood Chair Selection

The 300 series chair is our most popular selling solid wood chair. New Holland Church Furniture's 300 series chairs feature continuous seating for maximum seating capacity and flexibility. The 300 series comes standard with rounded solid oak cap rails, upholstered wood backs, 2 inch upholstered seats and under seat book racks. The 310 double and triple will maximize your seating capacity and will reduce the cost per seat.



310



310



310 Single, Double & Triple



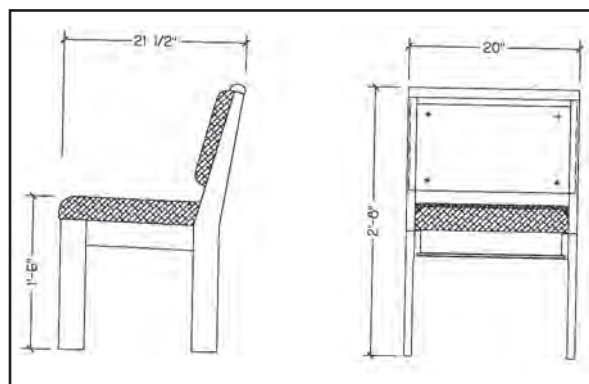
320 (arm chair)



310 (with laminated back)



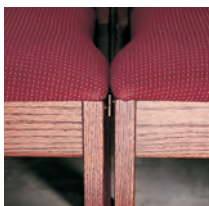
310 (stacked)



310



310 (with optional solid wood back and solid wood saddle seat)



Interlocking Pin



# 310K Series Solid Wood Chair Selection

The 310K solid wood chair is manufactured with a special pitched leg to allow for an optional removable, pivoting, upholstered solid wood kneeler. The 310K can be ordered with the same options as the 300 series chair and is also available in double and triple sizes. This chair includes an under seat book rack.



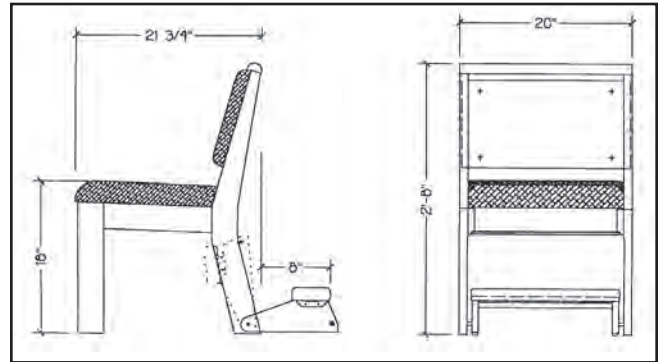
310K



Interlocking Pin



310K (with optional kneeler)



310K (pivoting upholstered solid wood kneeler)



Shown with New Holland's 310K Chairs and 320K Arm Chairs

Orthodox Church of St. Matthew  
Columbia, MD  
Architect:  
Alexander Design Group  
Ellicott City, MD



Setting the Industry Standard™



# 400 Series Solid Wood Chair Selection

The 400 series solid wood chairs offer two back styles. The steam-bent solid wood back of the 415 chair can be finished to provide a curved wood back or a 1" upholstered back can be added to provide a fully upholstered chair. The 418 chair provides a double slated steam-bent curved wood back. All 400 series chairs are available in alternate options, including all wood chairs or arm chairs. These chairs include an under seat book rack. All 400 series chairs offer alternate accessories of the 415 chair.



415  
(with optional routed front rail book rack)



415  
(with solid wood back)



415  
(solid wood chair)



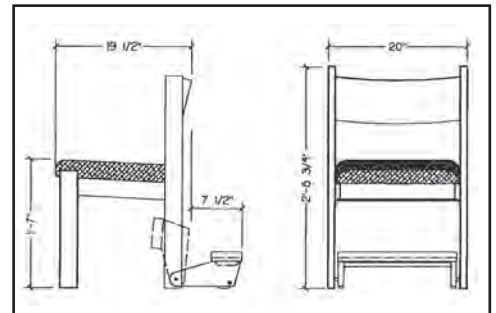
415 (with optional kneeler)



415 (stacked)



425 (arm chair)



415 (pivoting upholstered solid wood kneeler)



Interlocking Pin



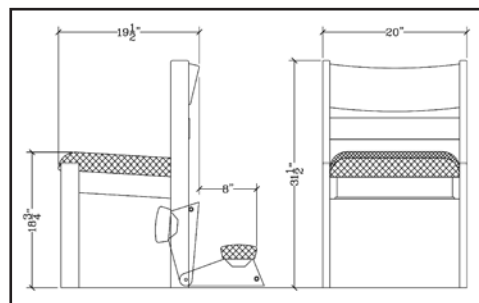
418 (saddle seat chair)



418 (solid wood chair)



418



418  
(pivoting upholstered  
solid wood kneeler)



# 500 Series Solid Wood Chair Selection

Responding to our customers' request, New Holland designed the 500 series solid wood chair. The 500 series solid wood chair is manufactured with full height round profile rear legs to enclose the upholstered wood backs, which provides a finished appearance when using solid wood chairs as free standing units. The 500 series chair is manufactured with a special pitched leg to allow for an optional removable, pivoting, upholstered solid wood kneeler. This chair includes an under seat to rear book rack.



510



510 (with laminated back and optional below front rail book rack)



510 (stacked)



St. John's College High School, Washington, DC  
Architect: DCMM Architects, Gaithersburg, MD  
Shown with New Holland's 510 Chairs



520



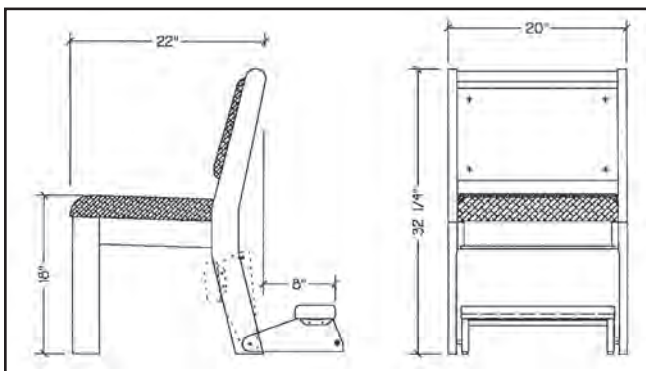
510 (with optional laminated back and wood saddle seat)



Optional permanently attached side mounted book rack



510 (with optional kneeler)



510K (pivoting upholstered solid wood kneeler)



Setting the Industry Standard™

**NEW HOLLAND**  
Church Furniture

## 600 Series Solid Wood Chair Selection

The 610 chair features a fully upholstered back providing the TRUE look of pews, but with the flexibility of chairs. Other features include continuous seat appearance for maximum capacity, back mounted book racks, and *optional removable pivoting* kneelers. The 610 pew chair is available with a laminated wood back. In addition to the 610 single chairs, New Holland offers the 600 series chairs in double and triple seating units.



610



610 (with optional kneeler)



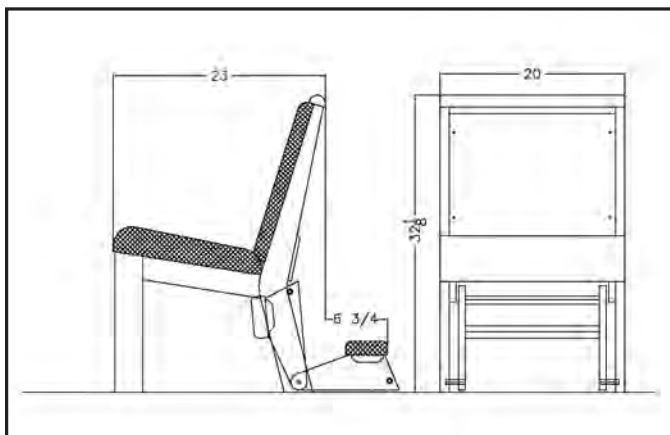
610 (with laminated back)



620 (arm chair)



610 Double (with optional kneeler)



610 (pivoting solid wood kneeler)



Wesley United Methodist Church, Hadley, MA  
 Architect: Justin Pope Frazier LLP, Shelburne Falls, MA  
 Shown with New Holland's 610 Chairs



# 800 Series Solid Wood Chair Selection

The 810 chair is offered with a choice of upholstered seats, solid wood saddle seats, or rush seats. The rush, used in the 810 chair, is a true natural rush woven material and will not lose its shape or become distorted with use. Other manufacturers offering this option may use a synthetic or paper material. The 810 rush seat features decreased sound absorption, which may be preferred for its acoustical value, especially in the choir area. The 810 chairs offer an optional removable, pivoting, upholstered solid wood kneeler. These chairs include standard rear access, under seat book racks and the backs are made of steam bent solid wood.



810

820



Optional Custom Routed Back Designs



810 (stacked)



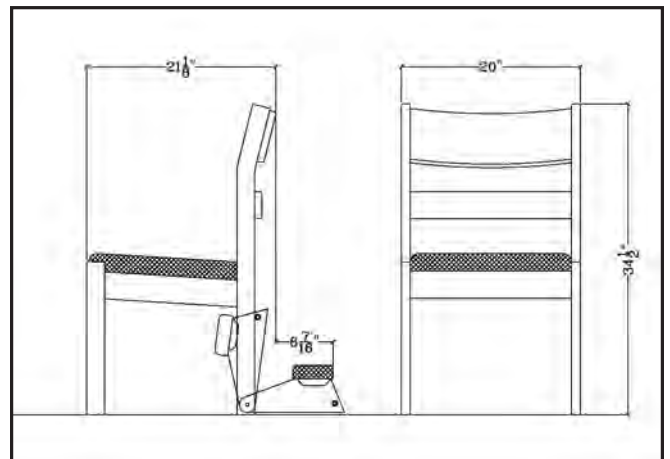
810 (with wood saddle seat and optional below front rail book rack)



810 Rush Chair



St. Bartholomew RC Church, Columbus, IN  
 Architect: Ratio Architects, Indianapolis, IN  
 Shown with New Holland's 810  
 Wood Saddle Seat Chairs and Pews



810 (pivoting upholstered solid wood kneeler)

Setting the Industry Standard™



# Additional Wood Chair Accessories and Options



Chair carts are the ideal way to move stacked and individual chairs.



Interlocking Book Rack



Optional Back Mounted Book Rack

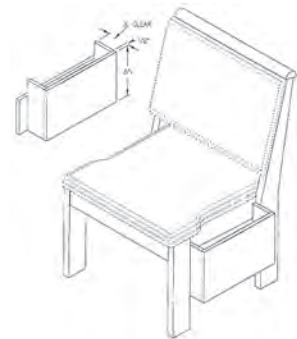
NOTE: Not available on 400 and 800 series chairs. Stacking is limited on 300 and 500 series chairs.



Solid wood upholstered kneelers are available in single, double and triple length with 4 lb. high density foam.



Optional Below Front Rail Under Seat to Front Book Rack



Optional Side Mounted Book Rack

NOTE: Chairs cannot be stacked with this option.



New Holland's 169A Prie Dieu.



169A Prie Dieu



# *New Holland Church Furniture's Business Values*

- We believe we must honor God above all else and that He wants us to value people above all things.
- We believe all people are important regardless of their background or position.
- We are committed to respect, fairness, honesty, and openness in our relationships with customers, employees, suppliers, neighbors, and regulators.
- We believe we earn the loyalty of our customers by providing superior quality and service.

*Setting the Industry Standard™*

**NEW HOLLAND**  
Church Furniture



**NEW HOLLAND**  
*Church Furniture*



*313 Prospect Street • P.O. Box 217 • New Holland, PA 17557-0217  
(717) 354-4521 • (800) 648-9663 • Fax (717) 354-2481  
[www.newhollandwood.com](http://www.newhollandwood.com) • Email: [nhcw@newhollandwood.com](mailto:nhcw@newhollandwood.com)*