

# NEW HOLLAND

*Church Furniture*

## *Pews*

Product Introduction · Product Selection



*Setting the Industry Standard*





*St. Peter's Evangelical Lutheran Church, Middletown, PA  
One of New Holland Church Furniture's  
earliest radius pew installations, manufactured in 1962.  
Fifty years later, these quality constructed cherry radius pews  
continue to serve the needs of St. Peter's Evangelical Lutheran Church.*

## *Radius Curved Pews — “Round For A Reason”*

They Promote Maximum Seating  
Through more Efficient Use of Space  
They Enhance Worship by Creating  
Community and Uniting the Family of God

FRONT COVER: St. Francis De Sales, Holland, MI  
Liturgical Consultant: Mark Joseph Costello, Chicago, IL  
Architect: Progressive Architects, Grand Rapids, MI

# *New Holland Church Furniture's Commitment to You*

Designing and buying church furniture is a significant decision that will influence your worship community for many generations.

As the leading producer of “custom” church furniture, our objective is to enhance your worship experience.

New Holland's commitment to meeting your needs is unique in the work we do. It begins with our initial encounter and qualified assessment of your needs, and continues through every phase of designing and crafting your pews.

New Holland's team of dedicated craftsmen, design professionals and sales consultants will listen to you, and help transform your requirements into classic church furniture.

Since 1919 we have been committed to providing quality furniture products to our customers.

New Holland's combination of timeless design, precise craftsmanship and fine natural wood produce an investment that will last for generations.

At New Holland, If You Can Imagine It We Can Build It!



*Setting the Industry Standard*

# Quality, On-Time Delivery, Comfort, Durability

## A Decision that Will Last for Generations

The decisions you will make to design and purchase church furniture are decisions that will influence your worship community for many generations. The New Holland Church Furniture team realizes the importance of your decision and will help you in every way possible.

### Enhance, Embrace, and Engage

When selecting the seating arrangement for your new or renovated worship facility there are three very important questions to consider before making a final decision.

- Does your seating arrangement *Enhance* and create the building of your worship community?
- Does your seating arrangement *Embrace* the Sacred Space which is where the Word of God is delivered?
- Does your seating arrangement

help *Engage* the community in their worship?

### Quality

New Holland Church Furniture has earned the mark of quality workmanship. New Holland Church Furniture have been a member of the Architectural Woodwork Institute since 1986.

AWI is an independent non-profit organization that sets stringent, high standards for the woodworking industry nationwide. These independent quality standards are built into every New Holland product. Consider choosing only a manufacturer who is a member of the AWI and meets their quality standards.

*Look for the AWI seal from your manufacturer.*



### On-Time Delivery

Over the years New Holland has earned a superior track record of On-Time Delivery with our customers.

To assure on-time delivery, a project manager is assigned to your project and is responsible for coordinating project details. Project details start with material selection and continue through production and scheduling. When all of the project details have been completed, a confirmed delivery date will be assigned to the project.

### Comfort

The comfort of a pew will be a significant factor that will affect your worship experience. The comfort of your pews will be affected by:

- Body Style
- Body dimensions and the degree of spacing between pews
- Individual sight lines to the front of the church or synagogue

Ultimately, comfort is determined by your individual requirements. To accommodate your needs New Holland offers contoured wood seats and backs, upholstered seats and backs, spring seats or any combination of these choices.

### Durability

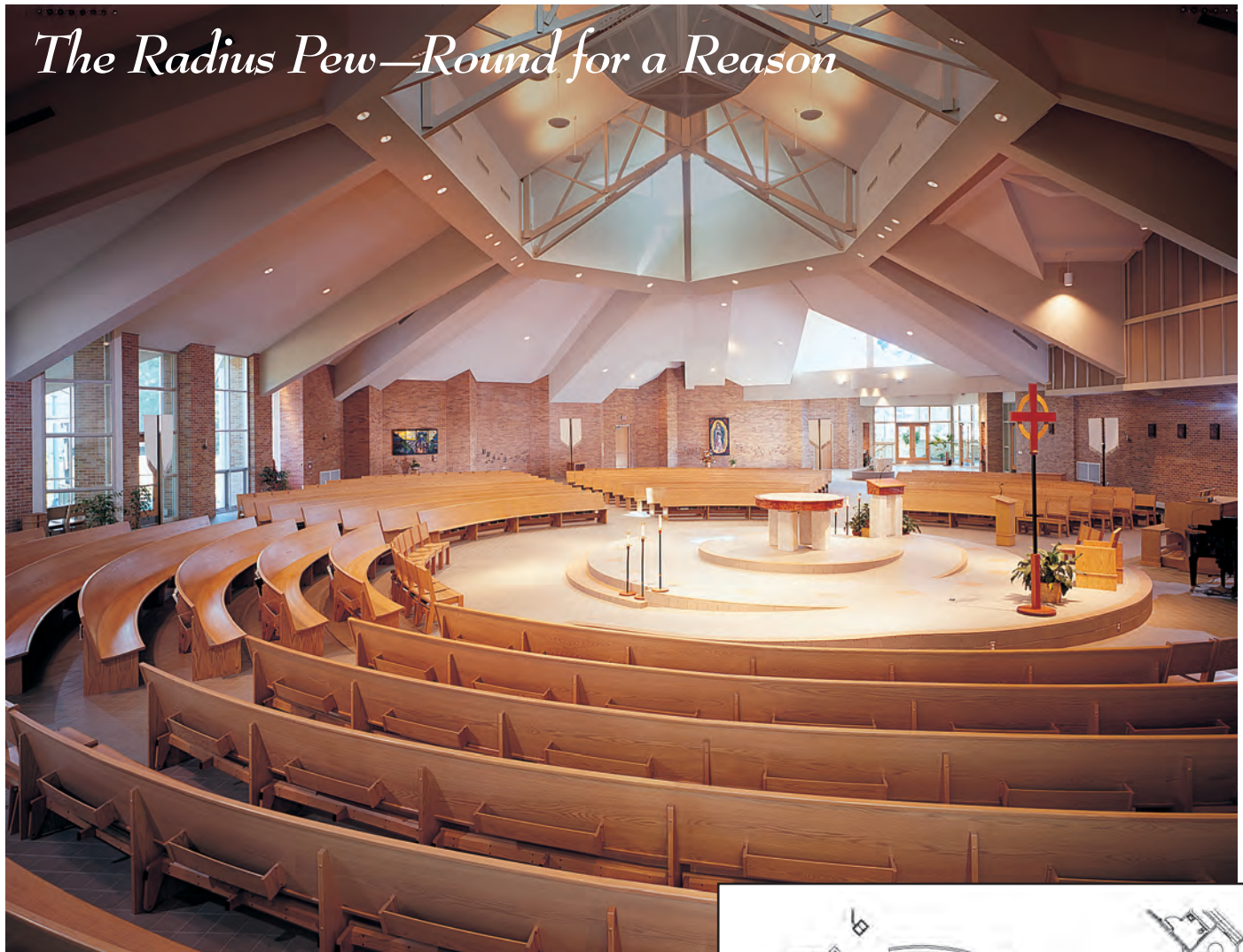
Durability is an important factor and must be a major part of the decision to select a manufacturer. All pews are not created equal so it is very important to understand that what you do not see in a pew is equally important as what you do see. If inferior materials are used, both appearance and comfort may be affected in just a few short years. Furthermore, safety may be affected if the foundation of the pew fails from the use of inferior material. Be sure that you choose a manufacturer that does not use particle board in the manufacturing process. On the following pages we will show you why.



*New Holland's attention to detail.*

# Radius Seating Arrangement

Curved Radius Pews are “Round For A Reason”.™ They are designed for maximum seating, circular for efficient use of space, designed to enhance the worship experience, created to build the community, and unite the family of God.



*The Radius Pew—Round for a Reason*

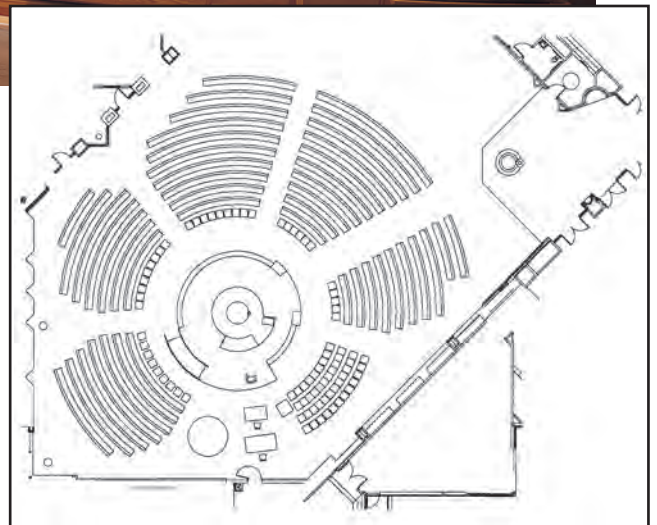
St. Francis De Sales Parish, Holland, MI • Liturgical Design Consultant:  
Mark Joseph Costello, Chicago, IL • Architect: Progressive Architects, Grand Rapids, MI

As you enter the worship space, the curved lines of the pews which are in direct contrast to the building structure, present a graceful and uninterrupted seating solution. Radius pews also help provide a feeling of unity and closeness among the congregation.

New Holland Church Furniture takes great pride in being the nation’s leading manufacturer of Radius Pews.

## No Through Seat Dividers

As you will notice in the picture there are no through seat dividers. Other manufacturers may install radius pews in *8 foot lengths*. Some manufacturers may have a through seat divider or butt joint every 8 feet. New Holland will only have one butt joint every 22 feet 6 inches.



Seating capacity: 775

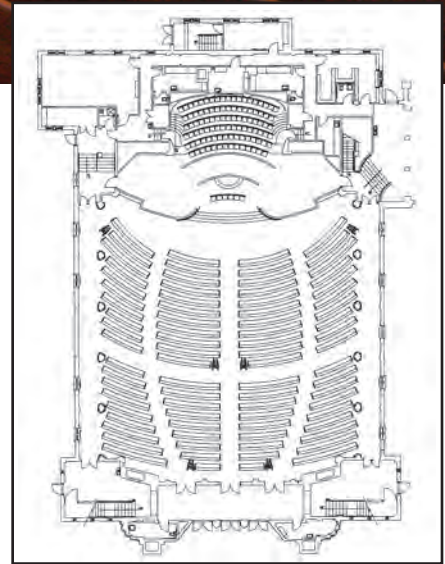
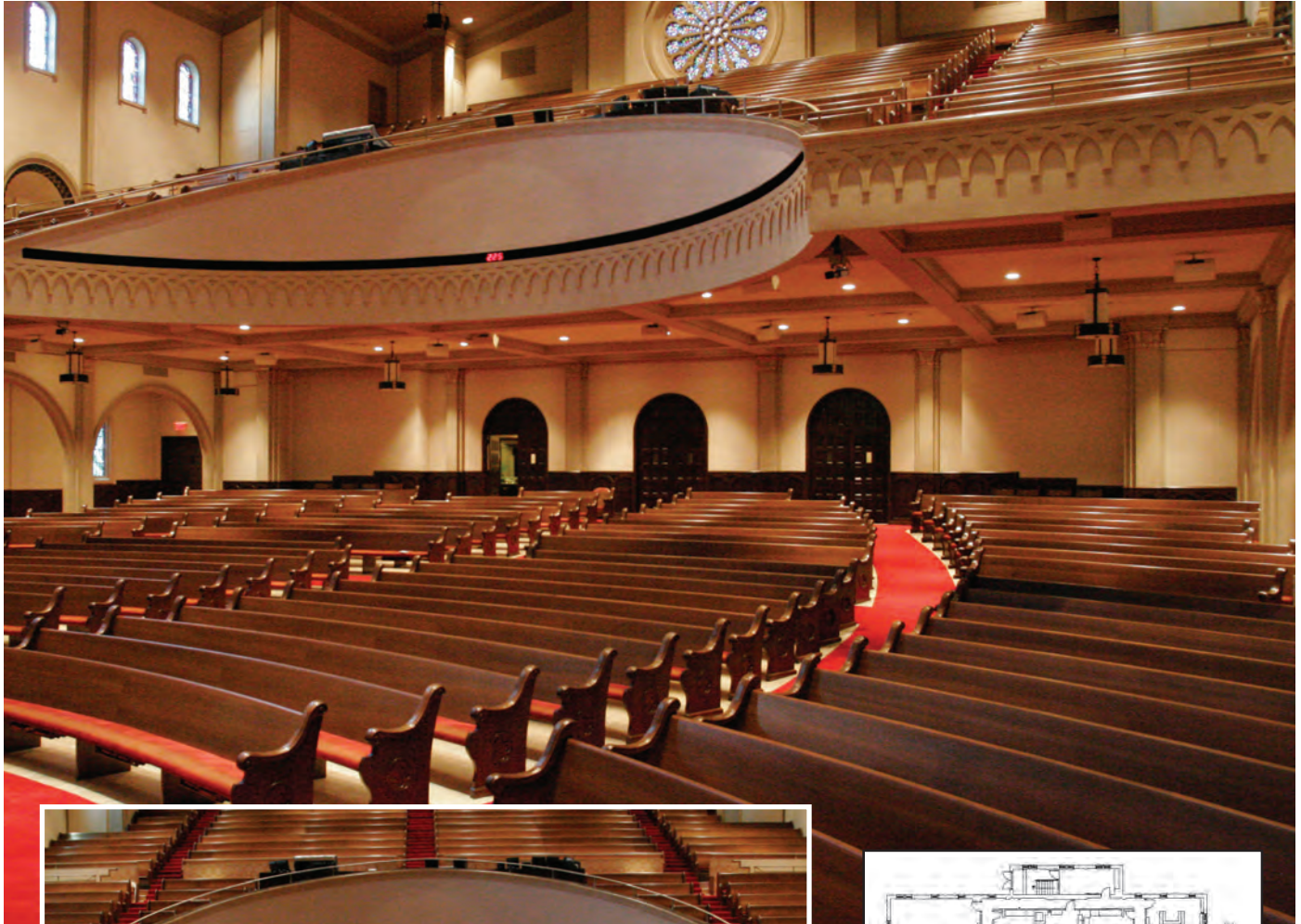
*Setting the Industry Standard*

**NEW HOLLAND**  
Church Furniture

# *A Combination Radius and Straight Seating Arrangement*

At First Baptist Church, New Holland designed and installed radius pews on the main floor of the worship space and straight pews were installed in the balcony.

*First Baptist Church, Abilene, TX • Architect: Tim McClarity Architecture, Abilene, TX*



*Seating capacity: 560*

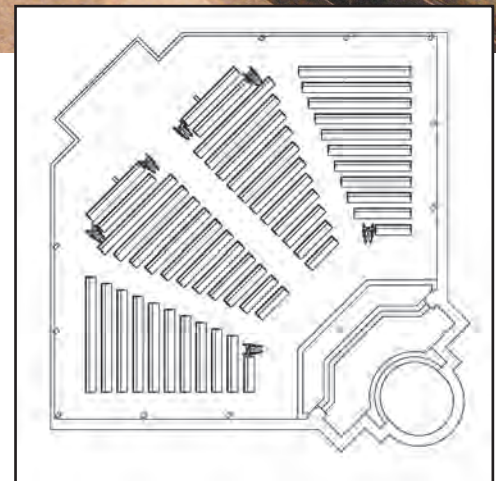
A signature design element of New Holland Church Furniture is the Curved Side Aisles. Curved aisles offer a truly unique appearance which can effectively connect architectural elements within the worship space. Curved aisles are available on most radius and straight pew arrangements.

## *Straight Seating Arrangement*

The straight pew is the oldest traditional and most well known style. Though straight pews by virtue of their design are straight, the design professional can specify a seating arrangement placed in-line, or designed in a pie-shaped seating configuration. Straight pews are available in all body styles and options.



*Good Shepherd Lutheran Church*  
Herndon, VA  
Architect: Robson Group Architects  
Chantilly, VA



*Seating capacity: 442*

New Holland Church Furniture manufactured the straight pews and frontal screens for Good Shepherd Lutheran Church in Herndon, VA. These pews incorporate solid European Beech seats and backs. New Holland worked with the church and their architect to customize a standard end panel to meet their design requirements. The team also worked together to create a suitable design for the frontal screens to match the architectural details of the worship space.

*Setting the Industry Standard*

**NEW HOLLAND**  
Church Furniture

# The Durability Factor — Intermediate and End Supports

An important element of a quality pew is the Intermediate and End supports. These supports must sustain the weight of those seated in three ways:

- **Horizontal movement** as people slide from side to side on the seat
- **Strengthening** of the pew back as people grab hold of the cap rail to stand up
- **Vertical support** for the seat and back

A poorly manufactured support may de-laminate, break, or fail to support the pew load.

# Components of a New Holland Pew

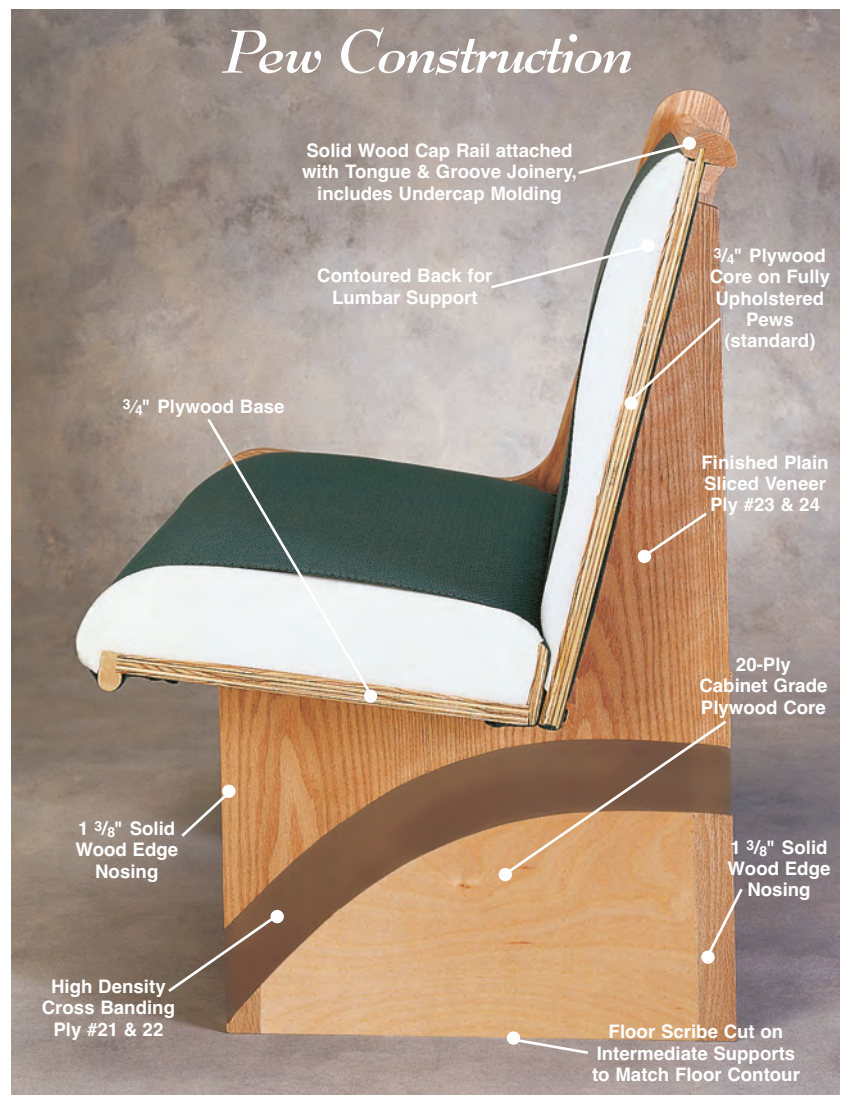
## New Holland Standard Support Construction

The interior core of a New Holland support is manufactured with a 1 3/8 inch solid wood edge nose and 20-ply cabinet grade plywood core material. Next, we glue a high density cross banding to enable greater bonding of the components. This ensures a better bonding surface for the outer ply of wood veneer.

A 1 3/8 inch solid wood edge nose is applied to the front and back edge of the supports for two reasons:

- Solid wood edge nosing adds additional strength to the support
- Solid wood edge nosing prevents delamination because there is no veneer used on the edges of the supports. Both the front and back edge of the supports can absorb a great deal of abuse from vacuum cleaners and high traffic as people move in and out of the pews.

Supports are 24 -ply plywood unless solid wood is specified.



A unique *standard* feature of the New Holland end and intermediate supports is the *Bull Nose Edging*. Not only is this edge treatment aesthetically pleasing but it also addresses our customers safety concerns regarding sharp edges as people move in and out of the pew.

*Standard Intermediate Support*



# Components of a New Holland Pew

## Horizontal Stability Brackets

As the years pass, your new pews will be susceptible to a significant amount of horizontal stress. As shown below, this stress may cause wood to split when the toe screw method is used to attach the support to the seat bottom.



*New Holland's metal horizontal stability bracket takes the stress off of the wood.*



*Avoid: inferior toe screwing method which causes wood to split from stress.*



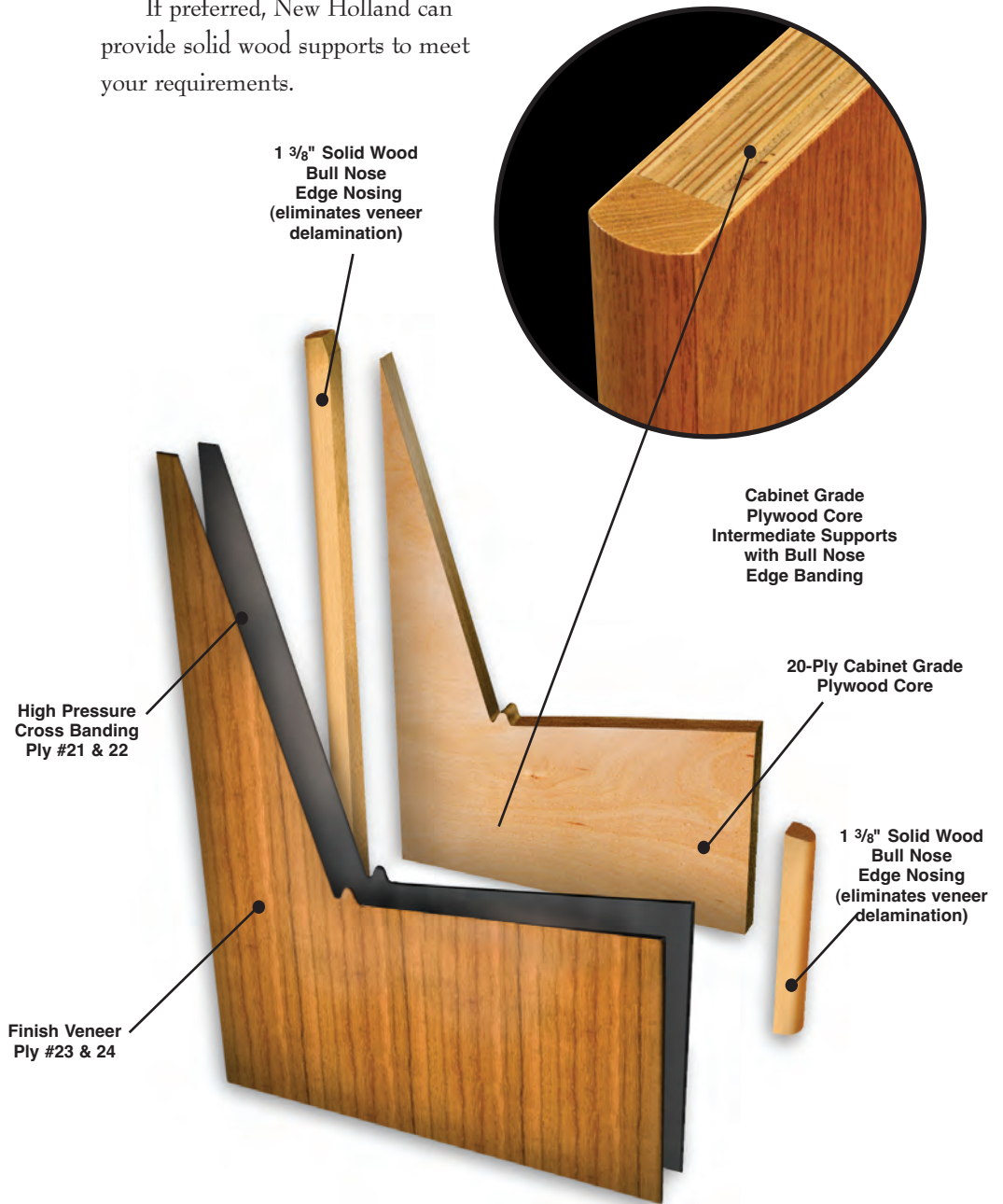
*Avoid: veneer edge banded pew supports. This method is susceptible to peeling.*

The metal brackets used by New Holland to attach the support and seats allows the pew to absorb the horizontal stress. These brackets also provide additional bracing for the support.

## Optional Wood Supports

If preferred, New Holland can provide solid wood supports to meet your requirements.

Whether using New Holland's superior 24 ply plywood support or optional solid wood support construction, New Holland is confident of the durability provided in this important component of the pew.



*Setting the Industry Standard*



# Components of a New Holland Pew

## Pew Ends

Pew ends are the “Sides” of a pew exposed to the aisle. New Holland Church Furniture manufactures pew ends using 2-ply solid wood construction for two principle reasons:

- Exposure to high traffic in the aisles for maximum protection and strength.
- Solid 2-ply construction offers you the choice of almost any design which can be routed into each solid wood pew end.



*New Holland's End Panel Detail*

*New Holland's 2-ply Solid Wood Pew End Panels Allow for Custom Routing*

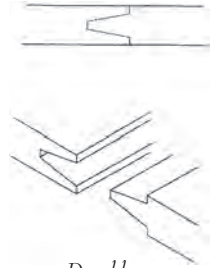


*Avoid: a poorly manufactured end panel which may result in delamination of the veneer.*

The above photograph illustrates an inferior construction method which uses only composite wood core and a thin laminated veneer. The high traffic in the aisle has caused a severe delamination problem.

## Joinery

New Holland uses only the highest grade FAS (as specified by the National Hardwood Lumber Association NHLA and Architectural Woodwork Institute AWI) Northern Appalachian red oak or other choices indicated on page 10. In most cases, solid wood lumber is purchased in lengths ranging from 8 to 14 feet. During the manufacturing process whenever a joint is necessary, New Holland incorporates a durable smooth finger joint on pews up to 22 feet 6 inches in length. This superior joinery guarantees our customers a smooth continuous construction. This joinery method will not become misaligned.



*Durable, Smooth Finger Joint*

In pew lengths that exceed 22 feet 6 inches, New Holland specifies a superior joinery system that combine metal plates at each joint.

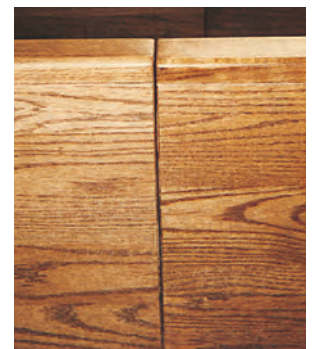
The photographs below illustrate what can happen when inferior butt joints are used.



*Avoid: crude brace for butt joint cap rail.*



*Avoid: misaligned seat joints (left) and pew backs (right) due to inferior butt joints.*



# Upholstery and Fabric

## Cap Rails

Cap rails offer two elements of durability to the pew:

- Each time a person rises from a pew, they will typically grab the pew in front of them at the cap rail. It is a very high stress point.
- The cap rail adds additional horizontal strength to the pew back.

New Holland Church Furniture offers a choice of two standard cap rails. Both options include an under cap molding for durability and beauty. All standard cap rails are glued and tongue and grooved to the back. Cap rails are shaped from wood that is in continuous lengths of up to 16 feet. All lengths over 16 feet are spliced together using finger joints.

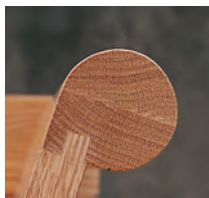


*Standard Radius Cap Rail*

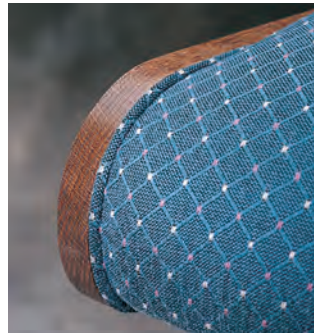


*Standard Rectangular Cap Rail*

New Holland will also manufacture custom cap rails as specified by your designer such as these two pictured here.



*Custom Cap Rails available*



*New Holland provides rope welting to keep wear and tear away from upholstery seams.*

## Upholstery

Although some of our pews are not upholstered, many are manufactured with a combination of upholstered seats and backs or upholstered seats with wood backs.

New Holland stretches the fabric that is applied to an upholstered pew during manufacturing both directions: from side to side and from front to back. All fabric edges are folded over before fastening to protect the edge of the fabric from fraying.

*Rope welting* is used to finish each end of the pew as pictured above for beauty and a longer lasting fabric finish. This is one of New Holland's most unique features.



*Avoid: 100% Olefin fabric.*

The fiber content for pew upholstery is very important. When specifying or making a fabric selection for upholstered church pews, you must evaluate the fiber content of the material used to weave the fabric. Be sure to specify a fabric that contains 100% Nylon, 100% Polyester or a combination of these fibers with other synthetic fibers. Fabric combining Nylon and Polyester fibers have demonstrated greater resiliency. This material helps to avoid unsightly ripples or loose fabric over time.

All New Holland standard fabrics have passed the National Association of Furniture Manufacturers (NAFM) testing for abrasion resistance, tear strength, shrinkage, fading, stretching and color fastness. Plus, all New Holland fabrics are treated with a Teflon or soil & stain resistant fabric protector.

## The Spring Seat

The spring seat offered by New Holland Church Furniture continues to be one of our most popular options when upholstered pews are being considered.



*New Holland's superior spring seat construction.*

Spring seats offer the most comfort of any seating foundation available and will outlast foam padding. The spring creates an arch that moves and follows the body contour, does not bottom out and will provide even greater support than foam padding.

# Wood Finishing and Wood Selection

## Wood Choices

New Holland offers a variety of wood species. Our standard wood is Northern Appalachian Red Oak which can be combined with other species. Additional wood selection options which are commonly available include:

- European Beech
- White Oak
- Maple
- Mahogany
- Cherry
- Rift Cut Oak

A large selection of wood allows the design professional to creatively combine two or more species of wood or specify an additional inlaid wood design in the pew ends.

## Wood Staining



*New Holland's craftsmen hand stain all of our church furniture.*

New Holland's standard finishing method "hand rubs" the stain into the grain of the wood. "Hand rubbing" the initial stain and "cross wiping" it into the wood provides a deeper penetration into the grain resulting in a better appearance of the wood's natural beauty.

## The Final Wood Finish

After staining, we apply a vinyl sealer that seals the wood, before applying our top coat.

New Holland currently uses the premium grade conversion varnish finish on all of our products. This high quality conversion varnish finish is highly resistant to scratching, household chemicals and body oils.

The first photograph below illustrates the ability of New Holland's superior finish to withstand acetone based nail polish remover being applied to the surface. The second photo below illustrates the result when it is applied to a lower quality finish.



*New Holland's finish can even withstand nail polish remover.*



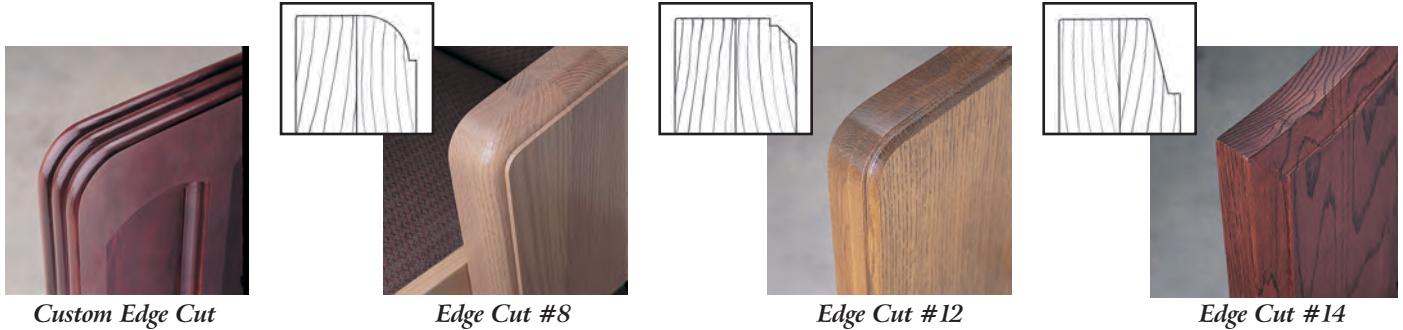
*Other finishes may be ruined by the solvents in nail polish remover.*



New Holland is using AWI (Architectural Woodwork Institute) premium conversion varnish finish system.

## Standard Pew End Selection

Pew ends are a very important part of any pew design. At New Holland Church Furniture, we give our customers a variety of end designs that can be matched with most any of our pew bodies. Our motto is: *"If You Can Imagine It We Can Build It."* In addition to our large variety of standard end designs, New Holland can accommodate virtually any custom design you can imagine. All of our solid wood ends can be routed with custom symbols or designs to match your individual requirements. Pew ends pictured on pages 11 through 14 include a standard edge cut which complements the design of the end. Optional or custom edge cuts are available.



*All pew ends are shown in red oak or painted, unless otherwise noted.*



*End 108, Body 65 SSC*



*End 160, Body 50 US3  
shown in Mahogany*



*End 180, Body 70 US3  
shown in Red Oak*



*End 155, Body 50 US3  
shown in Mahogany*



*End 151, Body 74 US3  
shown in Maple*



*End 114, Body 54 US3  
shown in Mahogany*

*Setting the Industry Standard*



# Standard Pew End Selection



*End 105, Body 50 US3*



*End 106, Body 74 US3  
End 106 with optional  
custom two panel rout*



*End 107, Body 50 SBB*



*End 171, Body 70 US3*



*End 176, Body 80 US3*



*End 138, Body 70 US3*



*End 121, Body 54 LS*



*End 122, Body 64 SS  
End 122 with optional  
custom arm rest  
shown in European Beech*



*End 123, Body 54 US3  
shown in Mahogany*

# Standard Pew End Selection



*End 125, Body 50 US3*



*End 101, Body 64 SS  
shown in Mahogany*



*End 134, Body 84 US3*



*End 131, Body 74 US3*



*End 139, Body 74 US3*



*End 104, Body 54 US3*



*End 126, Body 64 SS  
shown in Cherry*



*End 124, Body 54 US3*



*End 186, Body 64 SS*

*Setting the Industry Standard*

**NEW HOLLAND**  
Church Furniture

# *Additional Standard Pew End Selection*



*End 140, Body 54 US3*



*End 136, Body 70 US3  
(end shown without edge cut)*



*End 115, Body 90 US3*



*End 144, Body 50 SBB Radius*



*End 127, Body 65 SSC*



*End 128, Body 65 SSC*



*End 181, Body 65 SSC  
End 181 with optional  
two tone finish*



*End 187, Body 65 SSC*



*End 188, Body 64 SS*



# Custom Pew Ends

*If You Can Imagine It We Can Build It  
is what our customers have come to expect from New Holland.*



*Custom End 1*



*Custom End 4*



*Custom End 11*



*Custom End 2*



*Custom End 5*



*Before Replication*



*Custom End 12  
After Replication*

*2 Ply Solid Oak Pew End Panels allow for custom routing.*



*Setting the Industry Standard*

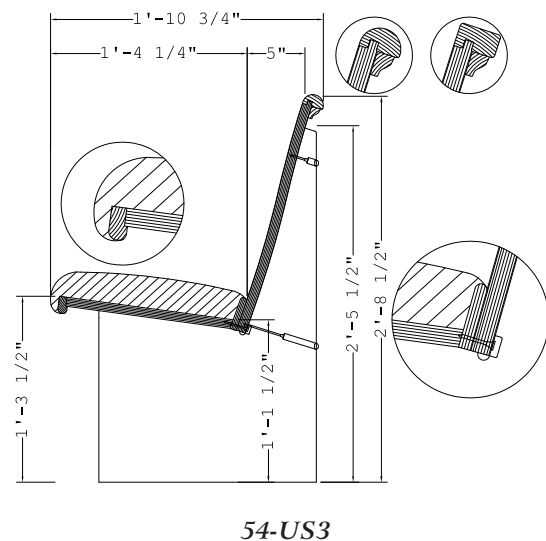
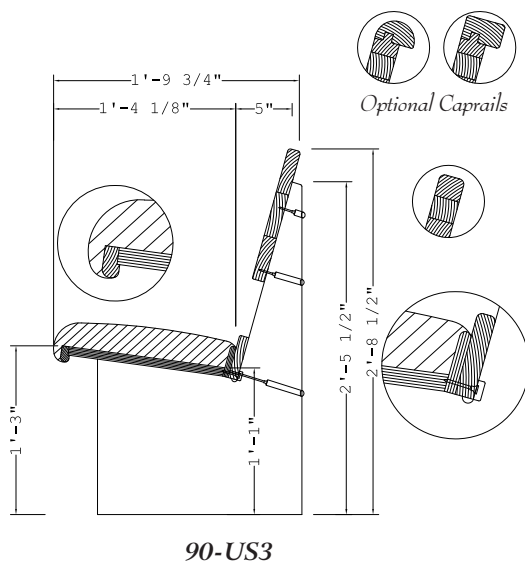
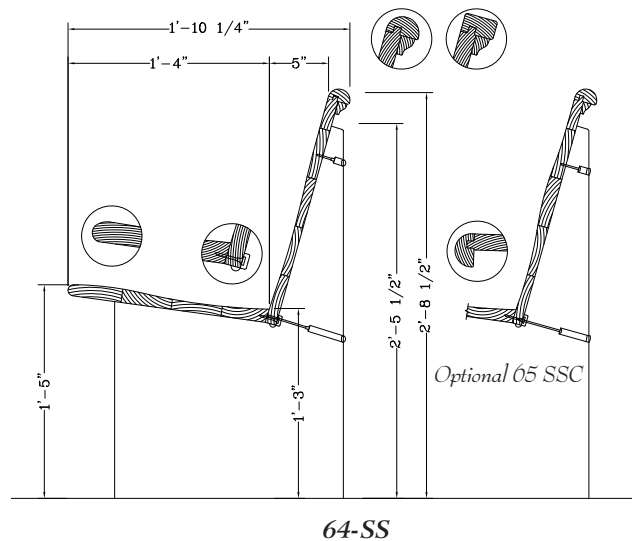
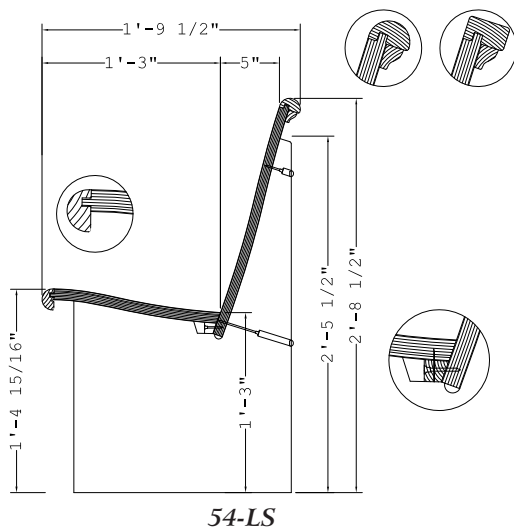


# B<sub>acks</sub>

## Available Pew Body Options (No particle board used)

- 50 9-ply laminated 13/16" thickness flat (not shown)
- 54 9-ply laminated 13/16" thickness contoured for comfort
- 64 Solid wood contoured for comfort (60-solid wood flat back)
- 65 Solid wood optional contour for comfort
- 70 Upholstered front of back, veneer to rear side laminated
- 74 Upholstered front of back (contoured), veneer to rear side laminated
- 80 Upholstered both sides of back over 3/4" plywood
- 84 Upholstered both sides of back (contoured) over 3/4" plywood (not shown)
- 90 1 1/8" x 12" solid wood, open style
- 90C Same as 90 with optional cap rail (round or flat profile) (not shown)

**\*W Option** All back styles are available 2" wider (see body detail 54W-US3).

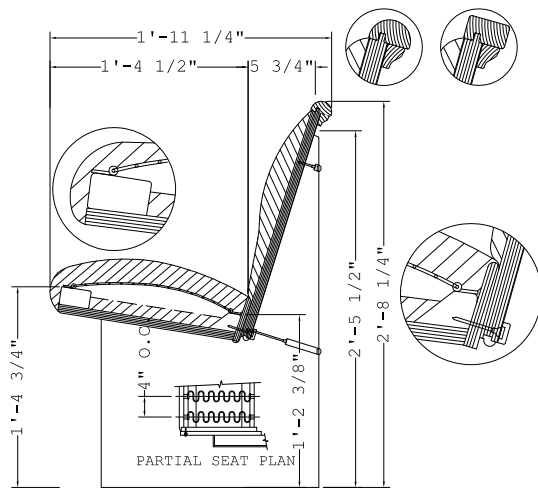


Note: Cap Rails at top of backs are available in your choice of rounded, flat profiles, or optional custom profile as specified.

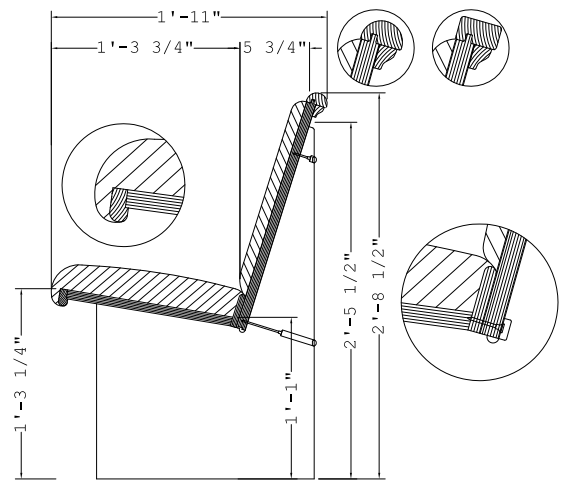
# S eats

## Available Pew Body Options (No particle board used)

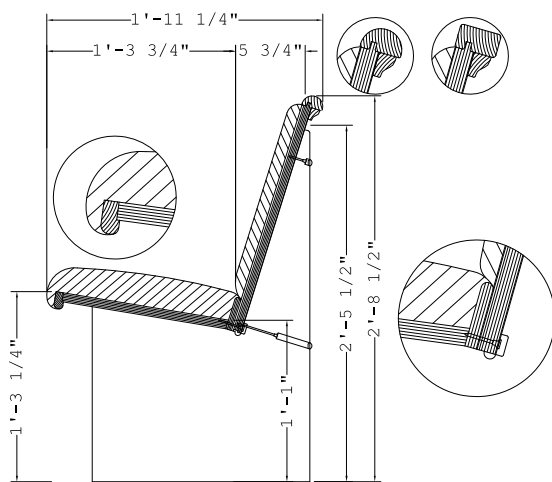
- LS Laminated 7-ply  $\frac{15}{16}$ " thickness contoured for comfort
  - SS Solid wood contoured for comfort
  - SSC Solid wood contoured for comfort with rounded seat cap
  - US3 Upholstered 3" foam thickness over  $\frac{3}{4}$ " cabinet grade plywood with solid wood edge-nosing
  - USS Arched serpentine spring with 2" foam and upholstered over  $\frac{3}{4}$ " cabinet grade plywood and solid wood rail foundation for maximum comfort
- \*SBB Option All solid wood pew bodies are available in optional butcher block construction (not shown)



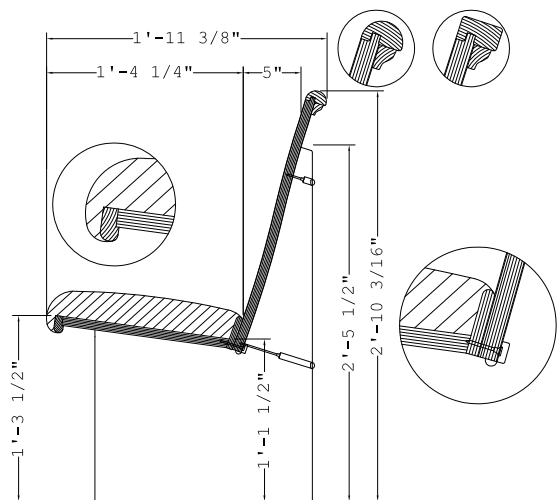
74-USS Spring Seat



70-US3



80-US3



54W-US3

## Frontal Screens

**F**rontal screens can add that finishing touch to your furniture package. Pictured here are four of our most popular standard frontal screens. However, New Holland Church Furniture can provide custom details to our standard screen designs or manufacture virtually any custom designed frontal screen that you can imagine.



125F



106F

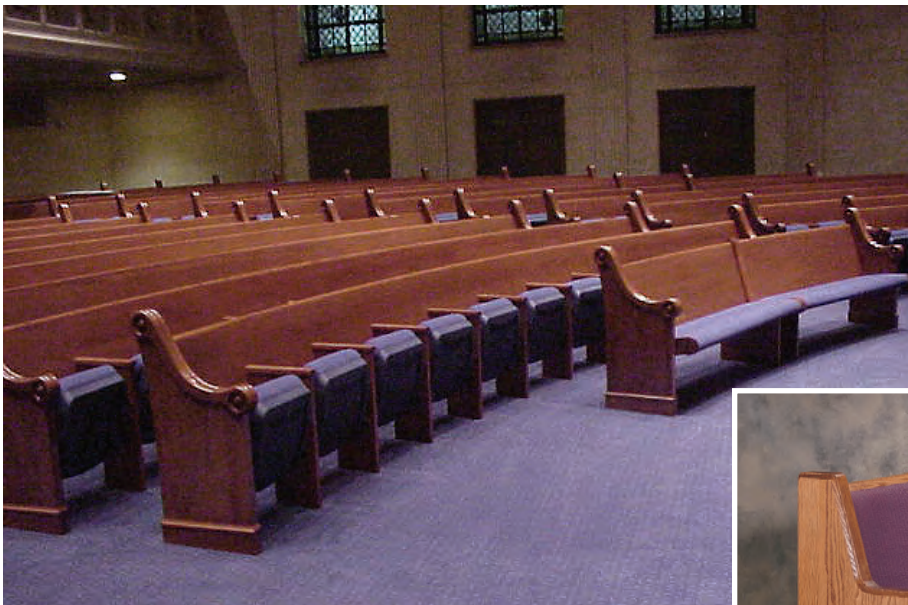


106FP



104F

## New Holland Combination Seating Option



*New Holland Defined Seating Option  
with individual self-rising theatre seats*

When there is a need for individual seats or defined seating, New Holland can work with you to provide options to suit your requirements.



*106 FP Stained  
with Custom  
Carving Inserted*

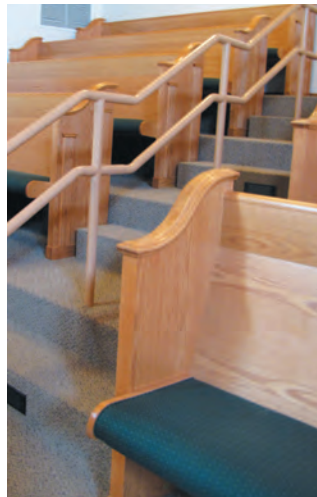


*New Holland Defined Seating Option  
with individual back pads and armrests*

# Pew Options



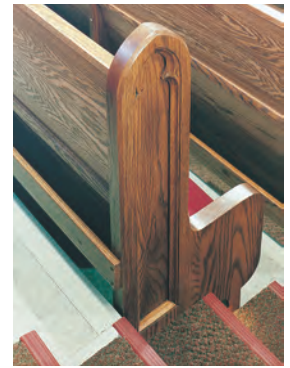
*Upholstered Metal Kneeler  
with 4 lb. high density foam*



*Extended Balcony High Backs*



*Continuous Balcony  
Extended Back*



*Toe Kick Covers  
for added safety  
in the balcony area*



*"E" Style Solid Wood Noise Reduction Kneeler  
with 4 lb. high density foam*



*B232- 3 book (no accessories)*



*B232CP- 3 book with built-in card and pencil holder*



*C-3  
Independent Communion Cup Holder*



*CP  
Independent  
Card & Pencil Holder*



*B232CPC- 3 book with one card and pencil holder  
and two communion cup holes built-in each end of rack*



*CPC  
Independent Card, Pencil,  
& Cup Holder*



*Optional External  
Communion Cup Holders  
for Bookracks*



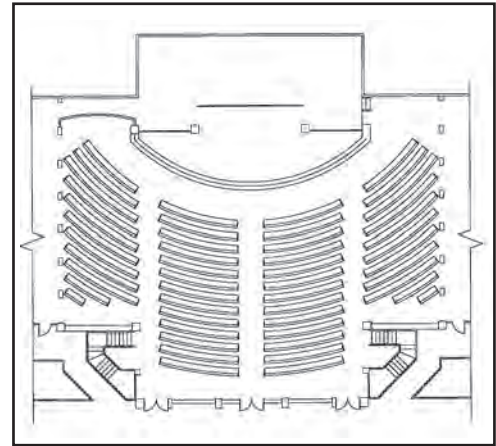
*Under Seat to Front Bookrack*

All bookracks are available in 2, 3, 4 or continuous book capacity with or with out built-in accessories.

*Setting the Industry Standard*

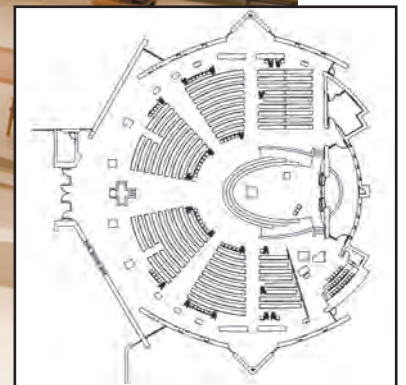
**NEW HOLLAND**  
Church Furniture

# Installations

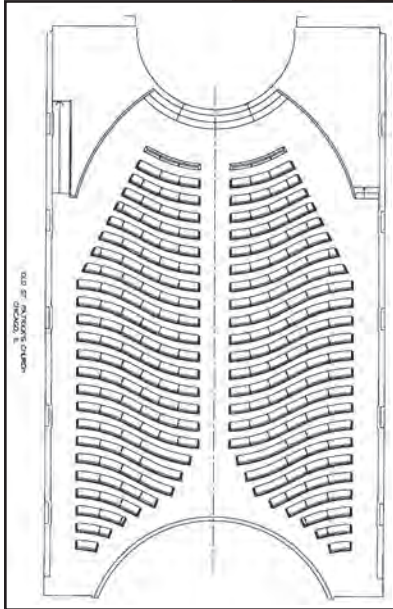
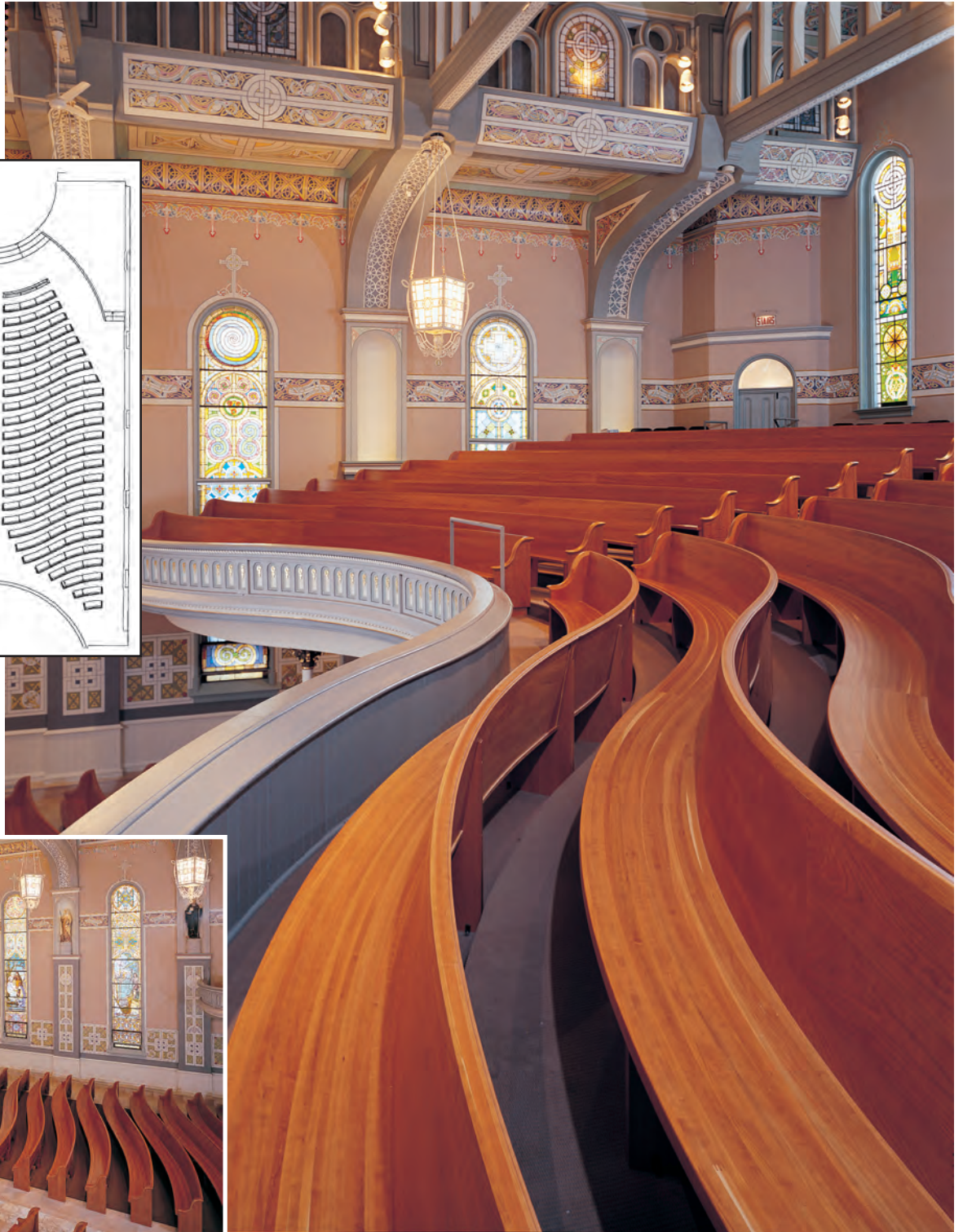


Seating capacity:  
Nave: 632  
Balcony: 126  
Total: 758

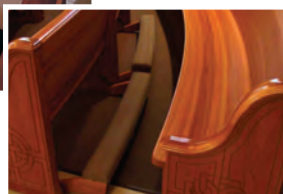
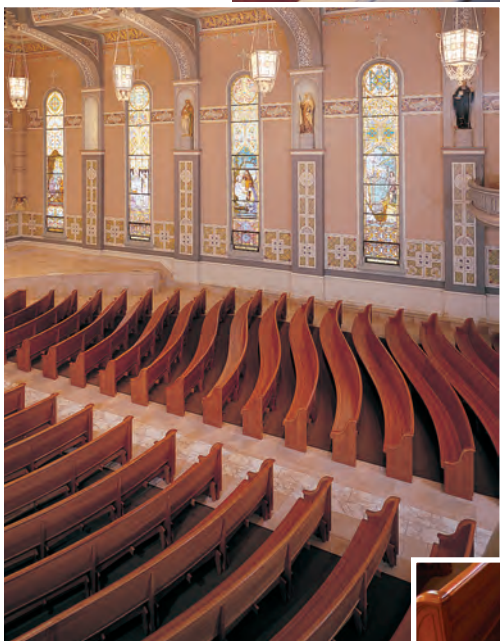
*Vienna Presbyterian Church, Vienna, VA*  
*Architect: LeMay Erickson Architects, Reston, VA*



*Christ The King Catholic Church, Southaven, MS*  
*Architect: Askev-Nixon-Ferguson, AIA, Memphis, TN*  
*Liturgical Consultant: Kenneth J. Griesemer, AIA, Albuquerque, NM*



Seating capacity:  
Nave: 360  
Balcony: 320  
Total: 680



St. Patrick's Catholic Church, Chicago, IL • Architect: Booth Hansen Associates, Chicago, IL

Setting the Industry Standard



# Installations



*Individual-defined Pew Backs*



*Hebrew Education Alliance, Denver, CO • Architects: Gensler & Associates, Denver, CO and Levin & Brown, Baltimore, MD*

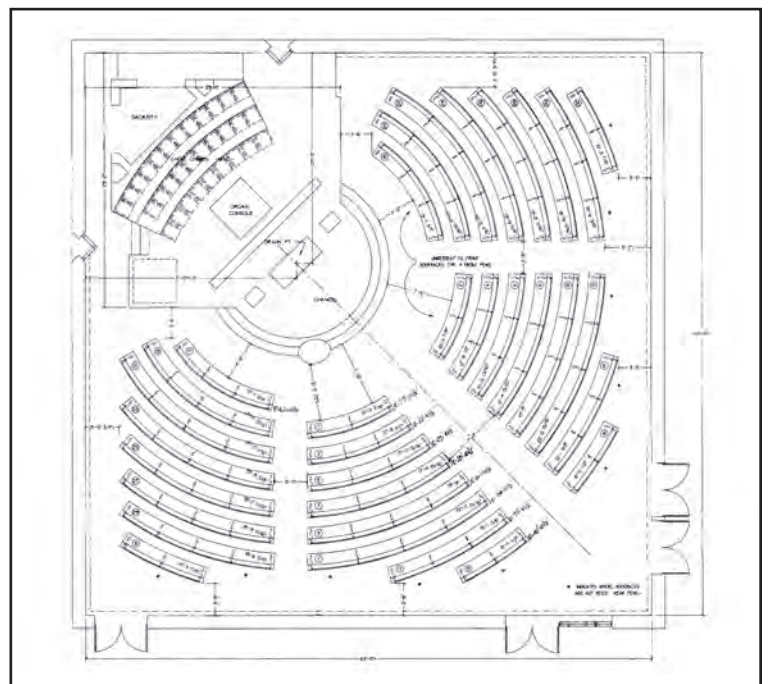


*Photo: Rose Studio, Inc., Atlanta, GA*

*Church of the Apostles, Atlanta, GA • Architect: CDH Partners, Atlanta, GA*



*Brown Memorial Presbyterian Church, Baltimore, MD*  
*Architect: Ziger/Snead, Inc., Baltimore, MD*



Seating capacity: 365

*1996 Design Awards Program*  
*American Institute of Architects, Baltimore, MD*

*Setting the Industry Standard*



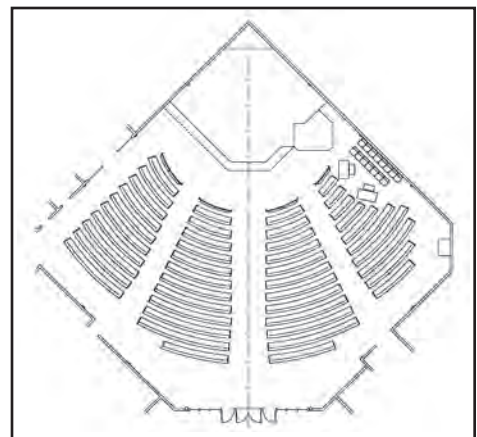
# Installations



*This custom pulpit is an example of New Holland's ability to produce custom chancel furniture.*



*Advent Evangelical Lutheran Church, Zionsville, IN  
Architectural Interiors & Furnishing Design: The Creighton Studios, Indianapolis, IN*



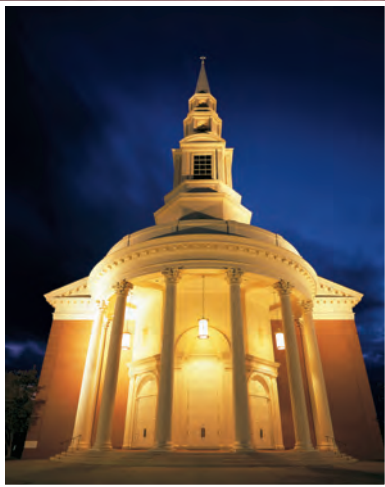
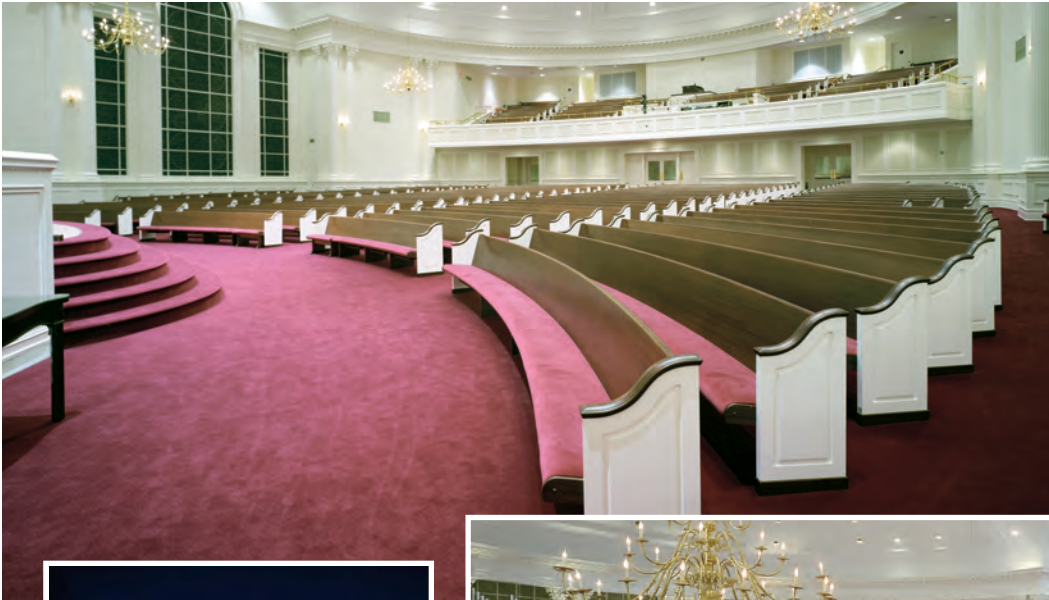
*St. Mary's Catholic Church, Arcata, CA • Artist/Liturgical Designer: Roger Hogan  
Architect: Crow/Clay Associates, Eureka, CA*

*Seating capacity: 430*

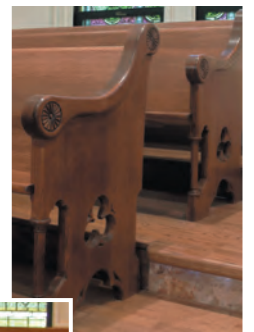
*Setting the Industry Standard*



# Installations



*First Baptist Church, Augusta, GA • Architect: The Woodhurst Partnership, Augusta, GA*



*Chapel of the Incarnate Word, San Antonio, TX  
The Chapel of the Incarnate Word is a registered trademark of the  
Congregation of the Sisters of Charity of the Incarnate Word*

# Installations



Photo: Norman McGrath

St. Augustine's Roman Catholic Church, Ossining, NY • Architect: Moger Woodson Architects, New York, NY



Peachtree United Methodist Church, Atlanta, GA • Architect: Jova, Daniels, Busby Architects, Atlanta, GA

Setting the Industry Standard



# Installations



*Union Branch Baptist Church, Petersburg, VA • Architect: Huff Morris Architects, Richmond, VA*



*St. Luke's Catholic Church, Irving, TX • Architect: Robert Allen, Dallas, TX*

# *New Holland Church Furniture's Business Values*

- We believe we must honor God above all else and that He wants us to value people above all things.
- We believe all people are important regardless of their background or position.
- We are committed to respect, fairness, honesty, and openness in our relationships with customers, employees, suppliers, neighbors and regulators.
- We believe we earn the loyalty of our customers by providing superior quality and service.

*Setting the Industry Standard*





**NEW HOLLAND**  
*Church Furniture*



*313 Prospect Street • P.O. Box 217 • New Holland, PA 17557-0217*

*(717) 354-4521 • (800) 648-9663 • Fax (717) 354-2481*

*www.newhollandwood.com • Email: [nhcw@newhollandwood.com](mailto:nhcw@newhollandwood.com)*