

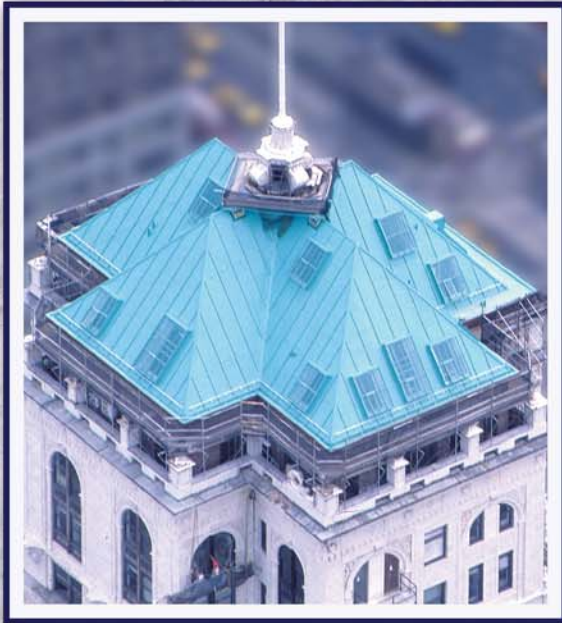


# ALPINESNOW GUARDS.COM

A Division of Vermont Slate & Copper Services, Inc.

07 72 53/ALP  
BuyLine 7504

## *SETTING THE INDUSTRY STANDARD*





## About Our Company

Alpine SnowGuards is a division of Vermont Slate & Copper Services. The company, which began as a roofing contractor, worked on numerous historical restorations as well as projects for the Rockefeller estate (Tarrytown, NY), Brooklyn College and private estates from Long Island to Montana.

As the business grew and expanded its services, the company found it was spending more time repairing slate roofs damaged by poorly designed snow guards than on installing slate roofs. The search began for a well-designed snow guard that could stand up to the pressures of ice and snow without breaking slates. The quest ended with the development and patent of what is now the #10 (copper) Alpine SnowGuard.

Today more than 50 models of Alpine Snow Guards are available from Vermont Slate & Copper Services, and snow guards are the main focus of the business. We are the only manufacturer offering both pad-style snow guards and a complete line of pipe-style snow-retention systems for every roof type.

## Unsurpassed Quality & Service

Alpine SnowGuards is committed to supplying the highest quality snow guards at the lowest possible price. Our product designs are based on hands-on knowledge of roofing materials and their applications, and every design is tested extensively in the field. We offer a two-year warranty against defects in materials and workmanship, and we back our snow guards with the best customer service in the business. We're always available to answer your questions and provide simple solutions to the most complex roofing and snow-related problems.

## What Are Snow Guards?

Snow guards are rooftop devices that allow snow and ice to drop off in small amounts or melt completely before falling to the ground. Alpine SnowGuards prevent damage caused by avalanching snow and ice while enhancing the beauty of any roofing system. Historically used with slate roofs, snow guards are a practical, cost-effective addition to any sloped roof in cold-weather areas.

## Where Should They Be Used?

Alpine SnowGuards are often installed on all sloped roof surfaces to protect against snow and ice damage below. It is especially important to install them above...

- Entryways, walkways and gathering spots
- Parking lots and drive-through areas
- Expensive landscaping
- Ground-mounted mechanicals
- Lower roofs, valleys and crickets
- Gutters and roof protrusions, such as plumbing vents and chimneys

## Why Use Alpine SnowGuards?

- Simplified installation, whether new construction or retrofit
- Pad and pipe styles available for every type of roof
- Innovative, flexible designs allow for custom pieces as necessary
- Available in painted steel, copper, lead-coated copper, plain or painted aluminum, Galvalume, zinc or clear polycarbonate
- Extensively tested in the field
- Recommended layouts and other technical support provided free of charge by our roofing experts
- Backed by the exceptional reliability and customer service of Vermont Slate & Copper Services

## “Pad” Style vs. “Pipe” Style

In general, pad styles are typically used in residential applications, while pipe styles are more common in commercial, institutional and industrial applications and when especially steep roofs are involved. Both styles perform equally well when properly installed.

## SOME COMMON QUESTIONS

### Do Alpine SnowGuards keep all the snow and ice on the roof?

No snow guard can keep 100 percent of the snow and ice on a roof. Snow guards are designed to prevent an entire load of snow from dumping at once. Small amounts of snow and ice will melt and slide off.

### Wouldn't heat cable accomplish the same thing?

Heat cable melts snow and ice, usually in an effort to resolve an ice-damming problem. Snow guards can protect heat cable from damage caused by sliding snow and ice.

### Do snow guards prevent or cause ice damming?

Snow guards cannot cause or cure an ice-damming problem. Ice damming is caused by improper ventilation.

### Is the height of the snow guard important?

Snow and ice shed when a film of water builds up between the snow and the roof surface. The water acts as a lubricant,

reducing the friction of the roof surface and allowing snow and ice to slide down. As long as the snow guard prevents snow and ice from shifting at the roof surface, it will prevent an avalanche.

### How many snow guards are needed?

That depends on several factors, including roof slope, rafter length, building orientation and snow load. Give us a call and we'll walk you through the calculations.



## Traditional Pipe-Style Snow Guards

Pipe Style snow guards are used on commercial, industrial and institutional buildings and in areas with large snow loads. Most installations require only one row along the eave of the building. Heavier snow load areas may require additional rows of pipe style snow guards or a supplement of pad style snow guards to distribute the snow load on the roof.

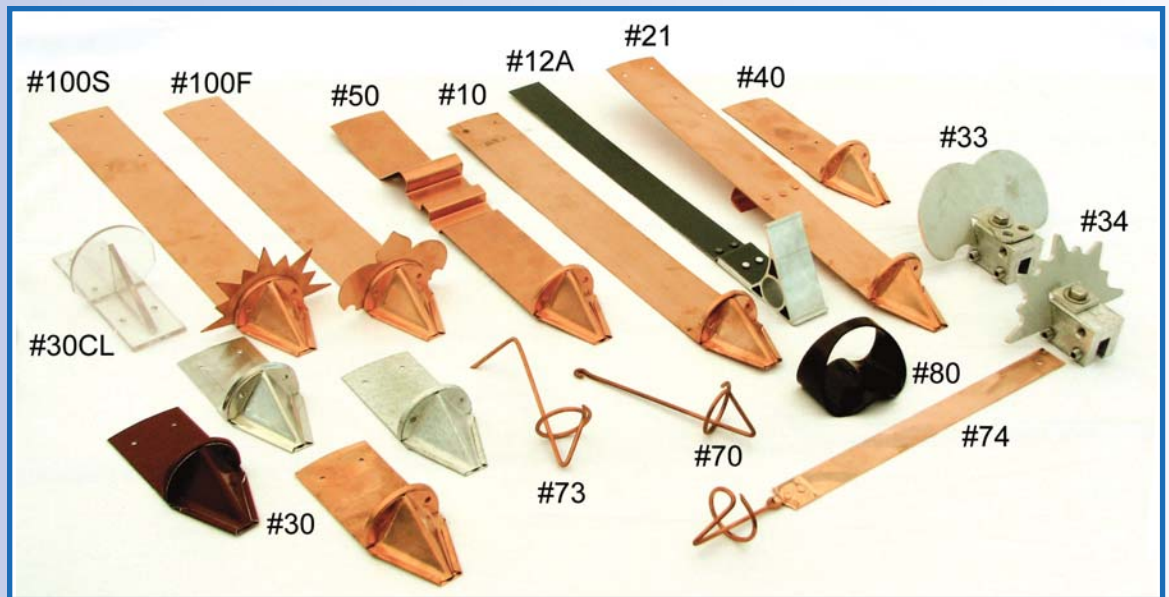
07 72 53/ALP

BuyLine 7504



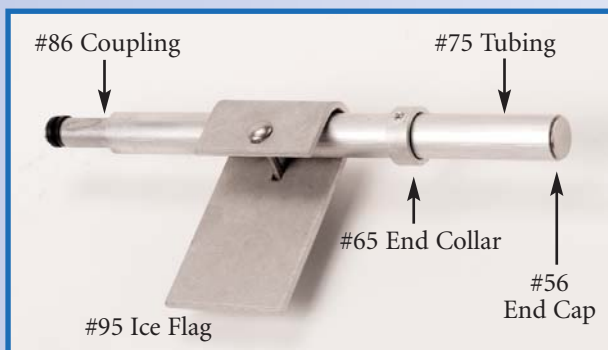
## Traditional Pad-Style Snow Guards

Pad Style snow guards are typically, but not exclusively, used on residential and smaller institutional buildings. They are installed in a pattern over much of the roof surface.



## Accessories for Pipe Style Snow Guards

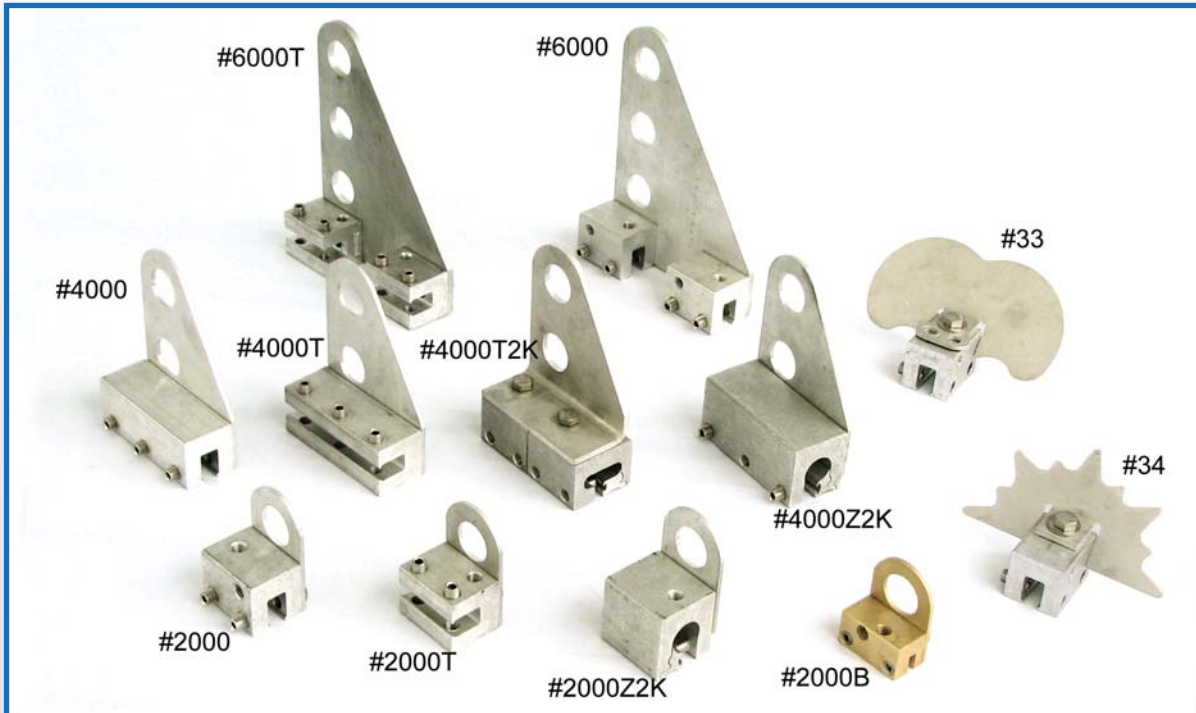
Alpine SnowGuards offers a complete line of accessories for pipe style snow guards including Pipe, Couplings, End Caps, End collars, Ice Flags and Ice Screen. Accessories are available in aluminum or brass as stock items. Stainless Steel is available upon request. Ice Screen is only available in stainless steel.



Model #225 with Ice Screen

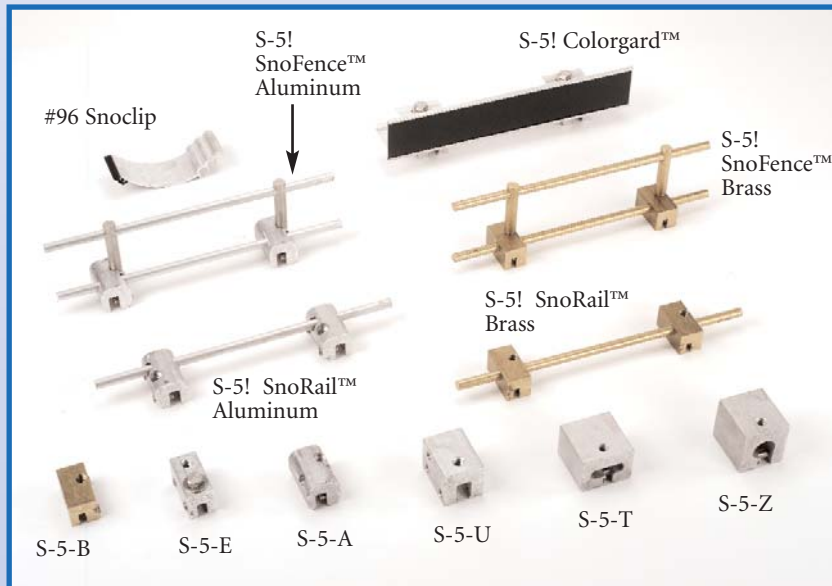
# Clamp to Standing Seam Snow Guards

Clamp to seam snow guards use non-penetrating set screws to mechanically hold onto a standing seam metal roof. Brackets are available in pad style, one pipe, two pipe and three pipe configurations.



## S-5! Snow Guards

Alpine SnowGuards is a leading distributor of the S-5!™ metal roof clamping system. S-5! Is a patented series of clamps designed to "attach almost anything" to a standing seam metal roof including snow guards, mechanical units, signs, pipes, light fixtures, equipment screens, solar panels, fascias, banners, and roof walkways.



Edward Jones Dome, St. Louis, MO  
Model #115 on a membrane roof.



Residence, Morrisville, VT  
Model #70 on a slate roof.



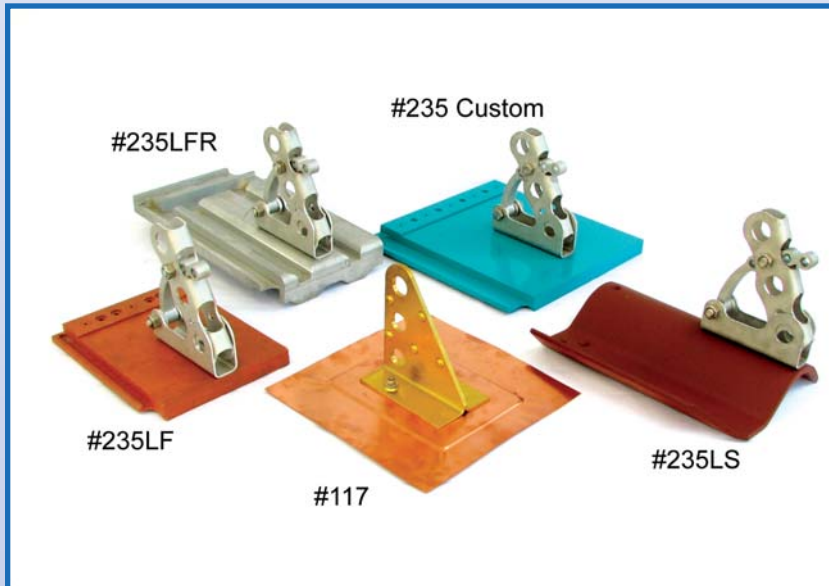
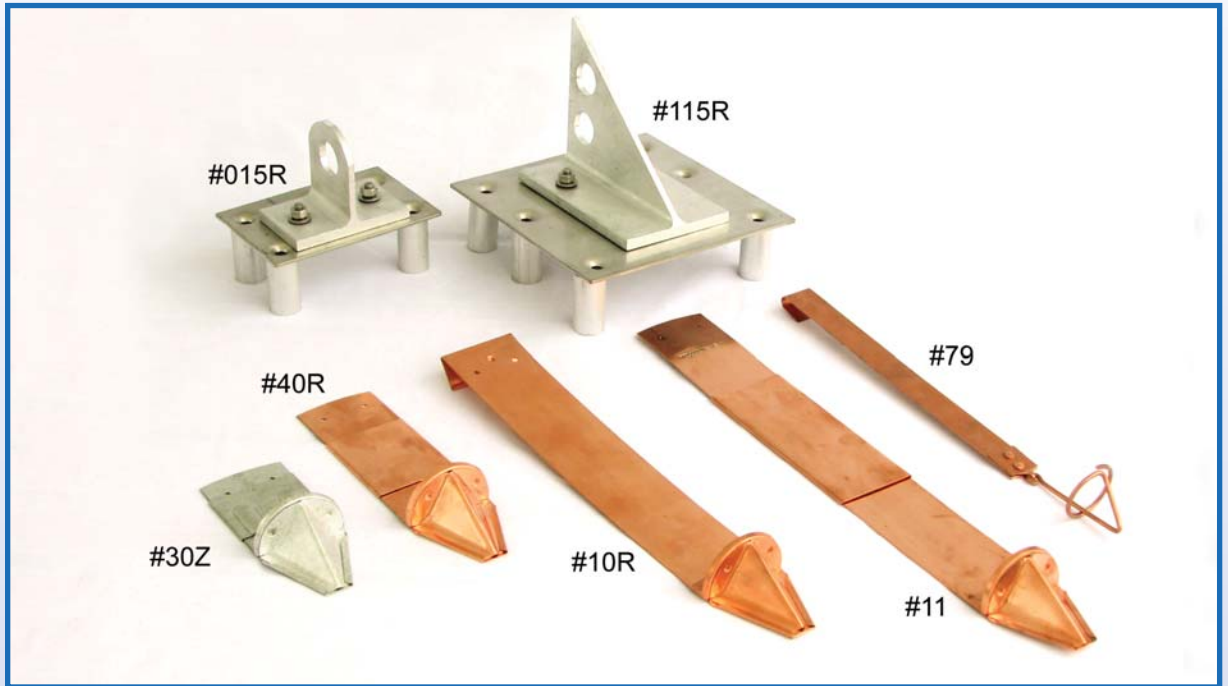
Stowe Hardware, Stowe VT  
Model #145 on a corrugated metal roof.



## Retrofit Snow Guards

07 72 53/ALP  
BuyLine 7504

The appropriate time to install snow guards is as the roof is being installed. Alpine SnowGuards offers a complete line of snow guards for cases where snow guards need to be retrofitted, into an existing roof. These systems have been specifically designed to work with their corresponding roofing material.



## Premier Snow Guards

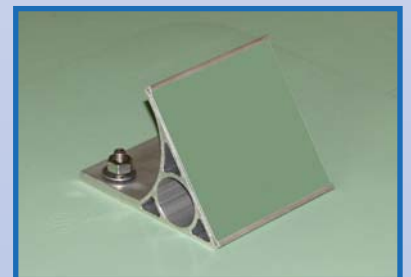
Alpine SnowGuards has the ability to produce snow guards for the most unique applications. From snow guards for window ledges (#345) to snow guard base plates made to match the most unusual and intricate interlocking tile roofs (#235 series) to custom coatings and platings (#10 gold-leafed - Not pictured). Alpine's designs are cost effective and are designed to work with the roofing system without the need for supplemental flashing and waterproofing.



Liacouras Center Temple,  
University of Philadelphia, PA  
Model #115 on membrane roof.



B&O Railroad Museum, Baltimore MD  
Model #225 in a slate roof.



New #90 for membrane roofing.

CALL TOLL FREE 1-888-SnoGard • 1-888-766-4273 • [www.alpinesnowguards.com](http://www.alpinesnowguards.com)

# Snow Guard Selection Guide

Model Number	Slate	Slate Retrofit	Synthetic Slate	Synthetic Slate Retrofit	Cedar Shingles	Cedar Shingles Retrofit	Flat Tile	Flat Tile Retrofit	Metal Standing Seam	Metal Batten or Snap Cap	Metal Corrugated	Rounded Tile	Ludwici Flat Tile	Ludwici Spanish Tile	Rounded Tile Retrofit	Membrane	Composition Shingle	Composition Shingle Retrofit	Metal Shingle	Metal Shingle Retrofit	Copper Standing Seam	"T" Panel	"Zip Rib" Panel	Window Ledges	Glass Panels	
#10	*		*		*		*																			
#100	*		*		*		*																			
#10R		*		*		*																				
#11		*		*		*																				
#12A	*		*	*	*		*			*							*	*								
#21							*	*																		
#30 / #30CL								*	*	*											*	*	*	*	*	*
#30Z																		*	*							
#33								*															*			
#34								*															*			
#40																*										
#40R																	*	*	*							
#72			*		*		*			*	*	*	*						*							
#73	*		*		*											*										
#74	*	*	*	*	*	*	*	*								*	*	*								
#79			*	*			*			*	*	*	*				*									
#80									*																	
#90															*											
#S-5™								*												*	*	*				
#2000								*																		
#2000T								*																		
#2000Z2K								*																*		
#2000T2K								*																*		
#2000B																						*				
#4000								*																		
#4000T								*																*		
#4000T2K								*																*		
#4000Z2K								*																*		
#115															*			*	*							
#115R															*											
#117						*									*			*		*						
#125	*	*	*	*	*	*	*	*								*	*									
#145									*	*																
#225	*	*	*	*	*	*	*	*								*	*									
#235										*	*	*														
#235LF											*															
#235LS												*														
#245								*	*																	
#315								*	*																	
#325	*	*	*	*	*	*	*	*								*	*									
#445																									*	
#502	*	*	*	*	*	*	*	*								*	*									
#503	*	*	*	*	*	*	*	*								*	*									

**How to use this snow guard chart:**

1. Find along the top row, the roof type you are working with.
2. Find the "Snowflake's" in the column below the roof type.
3. Follow the row that the "snowflake" is in to the left hand side of the chart.
4. The resulting number is the model number(s) that works with that roof type.

# Snow Guard Layout Request Form

07 72 53/ALP  
BuyLine 7504

Alpine SnowGuards will recommend bracket spacing and layout patterns based upon the information you provide. However, weather conditions and roof construction vary from project to project.

The owner and architect must carefully consider factors such as anticipated snow load, roof slope and orientation, roof construction and the area to be protected, in deciding whether the use of Alpine SnowGuards would be appropriate.



## Snow Guard Layout Request Form

### CONTACT INFORMATION

Name \_\_\_\_\_ Phone \_\_\_\_\_  
 Company \_\_\_\_\_ Fax \_\_\_\_\_  
 Address \_\_\_\_\_ Email \_\_\_\_\_  
 City \_\_\_\_\_ State \_\_\_\_\_ Zip \_\_\_\_\_  
 Project Name \_\_\_\_\_ Project Location \_\_\_\_\_

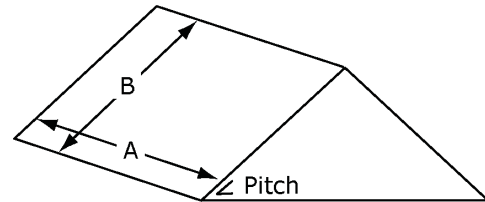
Snow load for project location (in lbs. per square foot) \_\_\_\_\_ (Contact the town building inspector.)

### APPLICATION INFORMATION

- Roof type (circle one)  
 Slate      Synthetic Slate      Flat Tile, Round Tile      Cedar Shingles      Composition Shingles  
 Metal Shingles      Membrane      Metal standing seam      Metal Panel
- Installation type (circle one)      New      Retrofit
- Please Quote (circle one)      Pad Style      Pipe Style      As Specified
- Snow guard Finish Requested (circle one)      Mill Finish      Kynar      Powder Coat      Other \_\_\_\_\_

### ROOF MEASUREMENTS

	ROOF PITCH	Distance from eave to ridge 'B'	Length of eave 'A'
Roof Area 1	: 12		
Roof Area 2	: 12		
Roof Area 3	: 12		
Roof Area 4	: 12		



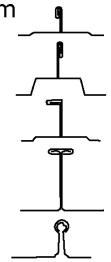
### ROOF INFORMATION

**Slate**      Slate Size \_\_\_\_\_

#### **Metal**

Panel Width \_\_\_\_\_ Panel Mfr \_\_\_\_\_  
 Seam Height \_\_\_\_\_ Panel Model \_\_\_\_\_  
 Seam Config. \_\_\_\_\_ Panel Gauge \_\_\_\_\_

For Standing-Seam, Sketch Seam Profile w/Dimensions



- Panel Material (circle 1) steel, aluminum, copper, lead-coated copper, stainless steel, TCS, zinc, other \_\_\_\_\_
- Panel Finish (circle 1) Mill Finish, Kynar, Other \_\_\_\_\_ Color \_\_\_\_\_

### ROOF CONDITIONS

- Are there upper roofs that dump onto lower roofs?      \_\_ YES \_\_ NO
- Are there drifting conditions experienced or expected on this roof?  
 If yes, then what is the expected drift snow load? \_\_\_\_\_ psf      \_\_ YES \_\_ NO
- Are there existing snow guards on this roof?      \_\_ YES \_\_ NO

### Alpine SnowGuards

289 Harrel St. • Morrisville, VT 05661  
 Toll Free Phone 1.888.766.4273 • Toll Free Fax 1.888.766.9994  
 www.alpinesnowguards.com • info@alpinesnowguards.com

## Snow Guards – Guide Specifications

### 07710 ROOFING ACCESSORIES

#### PAD STYLE SNOW GUARD SPECIFICATION

Snow guards are to be installed at all locations indicated on the roof plan as per manufacturer's installation and layout recommendation. Multiple rows or tiers are acceptable if recommended by manufacturer. Snow Guard layout is to be based on a \_\_\_\_\_ pound per square foot snow load as dictated by local building code.

Snow guards are to be fastened directly to the roof deck using a minimum of 2 fasteners that are compatible with the snow guard material, the roof deck material and attain a minimum pull out of 300 pounds per fastener.

Snow guard submittal package to include cut sheet, installation instructions, specification and written layout from the manufacturer.

Acceptable products are: Model # \_\_\_\_\_ in (material) \_\_\_\_\_, manufactured by: Alpine SnowGuards, 289 Harrel St. Morrisville, VT 05661, Phone 1.888.766.4273, Fax 1.888.766.9994 or approved equal.

### 07710 ROOFING ACCESSORIES

#### PIPE STYLE SNOW GUARD SPECIFICATION

Snow guards are to be installed at all locations indicated on the roof plan as per manufacturer's installation and layout recommendation. Multiple rows or tier are acceptable if recommended by manufacturer. Snow Guard layout is to be based on a \_\_\_\_\_ pound per square foot snow load as dictated by local building code. Snow guard system is to include brackets, tubing, concealed couplings, end caps and end collars.

Snow guards are to be fastened directly to the roof deck using a minimum of \_\_\_\_\_ fasteners that are compatible with the snow guard material, the roof deck material and attain a combined minimum fastener tensile pull-out resistance of 1500 pounds per bracket.

Snow guard submittal package to include cut sheet, installation instructions, specification, fastener information and written layout from the manufacture.

Acceptable products are: Model # \_\_\_\_\_ with \_\_\_\_\_ pipes, in (material) \_\_\_\_\_. Material finish to be \_\_\_\_\_. Manufactured by: Alpine SnowGuards, 289 Harrel St. Morrisville, VT 05661, Phone 1.888.766.4273, Fax 1.888.766.9994 or approved equal.

### 07710 ROOFING ACCESSORIES

#### CLAMP TO THE SEAM SNOW GUARD SPECIFICATION

Snow guards are to be installed at all locations indicated on the roof plan as per manufacturer's installation and layout recommendation. Multiple rows or tiers are acceptable if recommended by manufacturer. Snow Guard layout is to be based on a \_\_\_\_\_ pound per square foot snow load as dictated by local building code. Snow guard system is to include brackets, tubing, concealed couplings, end caps and end collars.

Snow guards are to be installed using non-penetrating set screws that clamp to the standing seam. Set Screws are to be tightened to manufacturer's recommended torque setting.

Snow guard submittal package to include cut sheet, installation instructions, specification, fastener information and written layout from the manufacture.

Acceptable products are: Model # \_\_\_\_\_ in (material) \_\_\_\_\_. Material finish to be \_\_\_\_\_. Manufactured by: Alpine SnowGuards, 289 Harrel St. Morrisville, VT 05661, Phone 1.888.766.4273, Fax 1.888.766.9994 or approved equal.

### 07710 ROOFING ACCESSORIES

#### ADHESIVE MOUNTED SNOW GUARDS SPECIFICATION

Snow guards are to be installed at all locations indicated on the roof plan as per manufacturer's installation and layout recommendation. Multiple rows or tiers are acceptable if recommended by manufacturer. Snow Guard layout is to be based on a \_\_\_\_\_ pound per square foot snow load as dictated by local building code.

Snow guards are to be adhered to the metal roof panel using adhesive capable of retaining a 200 pound load for 24 hours.

Snow guard submittal package to include cut sheet, installation instructions, specification and written layout from the manufacturer.

Acceptable products are: Model # \_\_\_\_\_ in (material) \_\_\_\_\_, manufactured by: Alpine SnowGuards, 289 Harrel St. Morrisville, VT 05661, Phone 1.888.766.4273, Fax 1.888.766.9994 or approved equal.



**ALPINE SNOWGUARDS**

A Division of Vermont Slate & Copper Services, Inc.

Mail or Ship To:  
289 Harrell Street  
Morrisville, VT 05661

*Toll Free Phone: 1-888-766-4273*

*Toll Free Fax: 1-888-766-9994*

[www.alpinesnowguards.com](http://www.alpinesnowguards.com)  
[info@alpinesnowguards.com](mailto:info@alpinesnowguards.com)

**CALL TOLL FREE 1-888-SnoGard • 1-888-766-4273 • [www.alpinesnowguards.com](http://www.alpinesnowguards.com)**