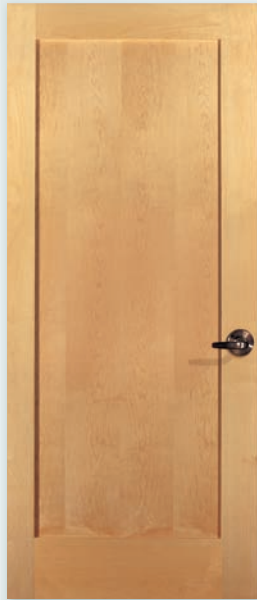


VT INDUSTRIES | **STILE & RAIL DOORS**





# VT STILE &

Whether you're restoring a historic building or want to add the perfect detail to a new design, you'll find the elegance and beauty you seek in VT stile and rail doors. We offer the highest quality product combined with aesthetic compatibility and design integrity.

At VT Industries, we offer all the custom options you could ask for in a stile and rail door. Choose from standard and custom elevations featuring raised, flat, glass, and louver panel options. Further customize your stile and rail doors with one of our specialty sticking profiles.

The craftsmanship and quality of VT's stile and rail doors are second to none. All of our stile and rail doors are manufactured to meet performance standards and are factory finished to match flawlessly, giving your project a beautiful cohesive look.

So when you're looking for stile and rail doors to fit your projects, look no further than the impeccable craftsmanship and design of VT Architectural Wood Doors.

# RAIL DOORS



HERITAGE COLLECTION

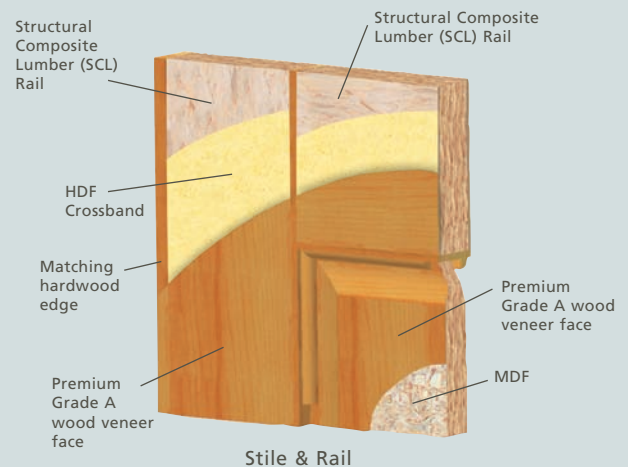
## HERITAGE STILE &amp; RAIL DOORS



## HIGH-QUALITY, BEAUTIFUL DOORS.

That's what you get with stile and rail doors from VT. And whether you're going for a classic, refined look or the perfect addition to a modern design, we can build a door to perfectly fit your needs.

- Doors meet WDMA I.S. 6-A Custom Grade quality standards
- Available with 20-, 45-, 60-, and 90-minute fire ratings
- Manufactured with fluted dowel construction for maximum performance
- Raised, flat, glass, and louver panel options
- Limited five-year warranty for interior use
- Full array of domestic and imported wood options
- State-of-the-art production facility and equipment
- Factory-machined to exacting requirements for hardware, including pre-drilled pilot holes for hinges and face plates
- Matching hardwood edge-before-face design provides impressive durability
- UV-cured, water-based factory finish to meet WDMA TR-6 and AWS System 9



HERITAGE COLLECTION

## FIRE-RATED DOORS

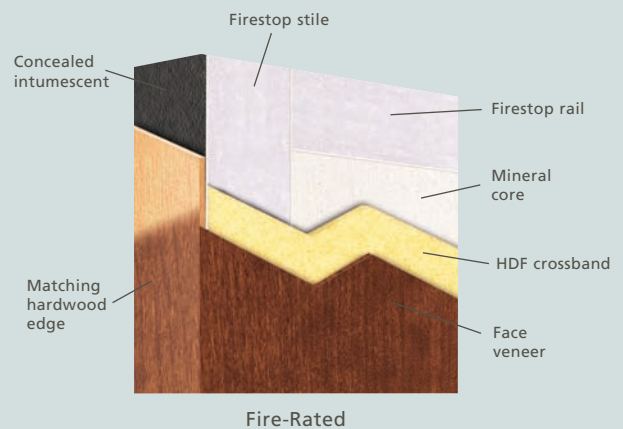


## 20-MINUTE FIRE DOORS

- 1-3/4" thick; maximum size: 4'-0" x 8'-0" x 1-3/4" for a single door, 8'-0" x 8'-0" for pair with 3- or 4-point latching
- Panels: raised, flat, or glass
- Full-panel or multiple-panel configuration
- Cylindrical or mortise lock
- Flushbolts: automatic or extension, 24" long
- Hinges per NFPA 80

## 45-, 60-, AND 90-MINUTE FIRE DOORS

- 1-3/4" thick; maximum size: 3'-6" x 8'-0" for single door, 7'-0" x 8'-0" for pair
- Panels: raised or flat
- Full-panel or multiple-panel configuration
- Cylindrical or mortise lock
- Flushbolts: mortise automatic or surface manual (no extension flushbolts)
- Hinges per NFPA 80



HERITAGE COLLECTION

# STANDARD ELEVATIONS

## ELEVATION DESIGN OPTIONS



**SS** Square Door Top Square Top Panel

**SA** Square Door Top Arch Top Panel

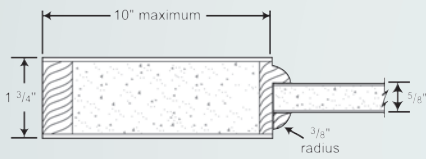
**SC** Square Door Top Colonial Top Panel

**SR** Square Door Top Radius Top Panel

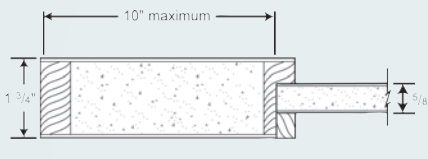
**AA** Arch Door Top Arch Top Panel

**RR** Radius Door Top Radius Top Panel

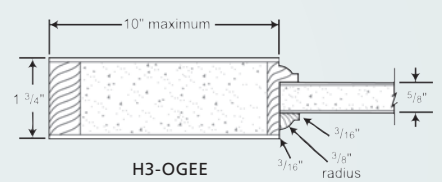
## STICKING USED ON FLAT PANELS



**H1-OVOLO**

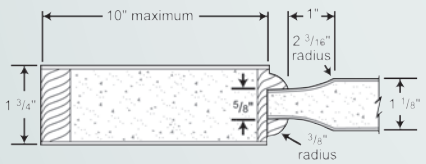


**H2-SQUARE**

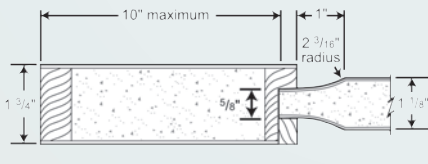


**H3-OGEE**

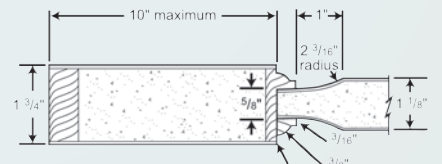
## STICKING USED ON RAISED PANELS



**H1-OVOLO**

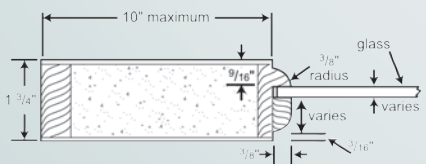


**H2-SQUARE**

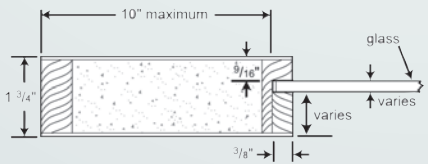


**H3-OGEE**

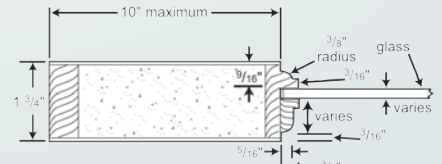
## STICKING USED WITH GLASS



**H1-OVOLO**



**H2-SQUARE**



**H3-OGEE**

### 1000 SERIES



SS1011H



SS1021H



SS1031H



SS1032H



SS1033H



SS1041H



SS1042H



SS1051H



SS1052H



SS1061H



SS1062H



SS1063H



SS1081H



SS1091H

### 3000 SERIES



SS3011H



SS3021H



SS3022H



SS3024H



SS3032H



SS3041H



SS3042H



SS3052H



SS3061H



SS3062H



SS3063H



SS3091H



SS3081H



SS3101H



SS3121H



SS3122H



SS3151H



SS3181H

### 7000 SERIES



SS7011H



SS7021H

### 5000 SERIES



SS5021H



SS5031H



SS5041H



SS5071H



SS5101H



SS5111H



SS5131H



SS5141H

### 9000 SERIES



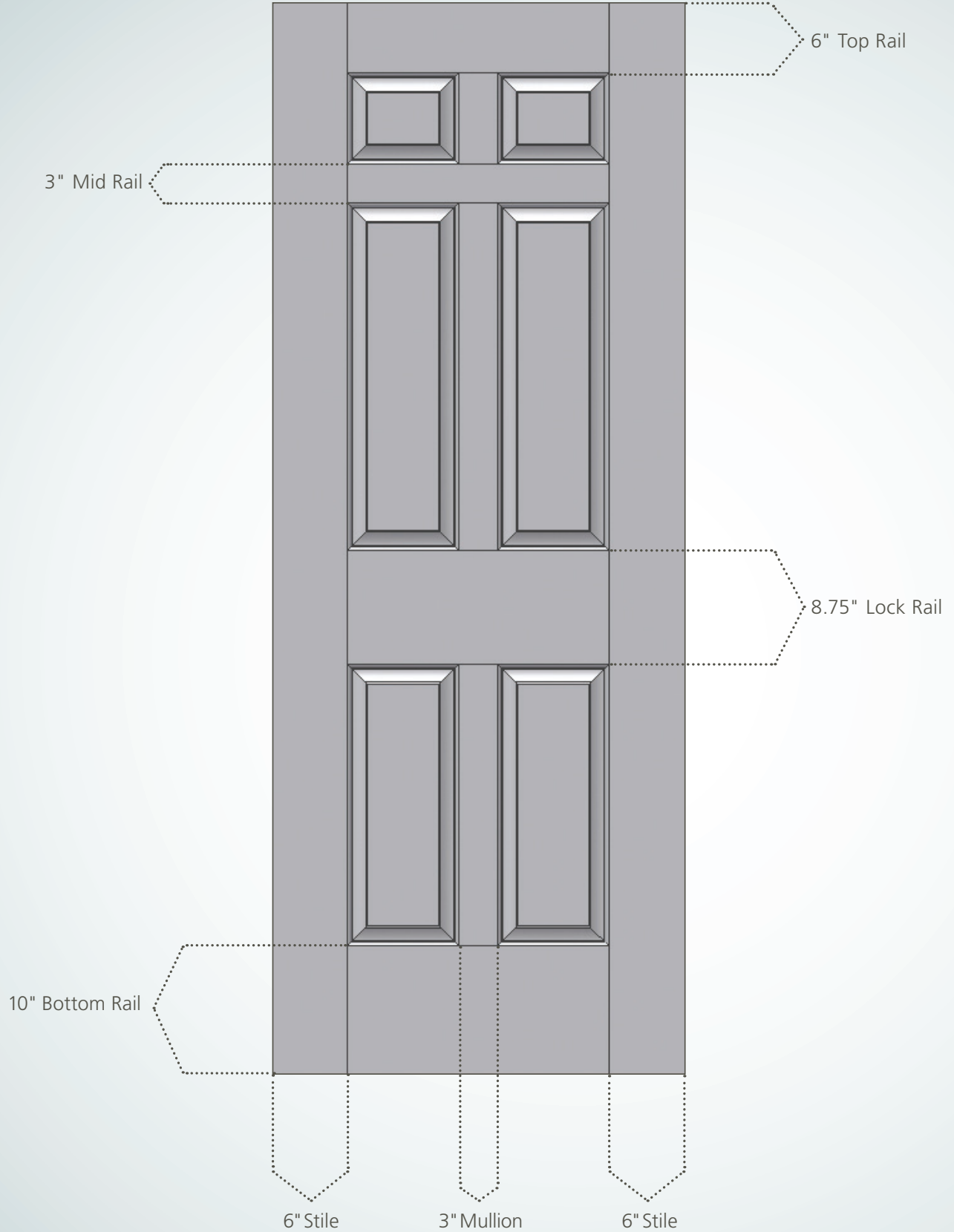
SS9021H



SS9022H

HERITAGE COLLECTION

# COMPONENT DIMENSIONS





HERITAGE COLLECTION COMPONENT DIMENSIONS	NON-RATED	20-MINUTE	45-, 60- and 90-MINUTE
DOOR HEIGHT Maximum Minimum	10'-0" 1'-2"	8'-0" 1'-9"	8'-0" 1'-9"
DOOR WIDTH Maximum Minimum	4'-0" 1'-0"	4'-0" (including pairs) 1'-4"	3'-6" (including pairs) 1'-4"
DOOR THICKNESS Maximum Minimum	1-3/4" 1-3/8"	1-3/4" 1-3/4"	1-3/4" 1-3/4"
STILE WIDTH Maximum Minimum	10" 3"	10" 5"	10" 6"
MULLION WIDTH Maximum Minimum	10" 3"	10" 3"	10" 3"
TOP RAIL WIDTH Maximum Minimum	10" 3"	10" 5"	10" 6"
CROSS/LOCK RAIL WIDTH Maximum Minimum	10" 3"	10" 3"	10" 3"
BOTTOM RAIL WIDTH Maximum Minimum	10" 3"	10" 10"	10" 6"
RAIL LENGTH Maximum Minimum	3'-6" 6"	3'-2" 6"	2'-6" 6"
PANEL HEIGHT Maximum Minimum	9'-6" 6"	6'-9" 6"	7'-0" 11-1/2"
PANEL WIDTH Maximum Minimum	3'-6" 6"	3'-2" 6"	2'-6" 11-1/2"
FLAT PANEL THICKNESS Maximum Minimum	5/8" 1/4"	5/8" 5/8"	5/8" 5/8"
RAISED PANEL THICKNESS Maximum Minimum	1-1/8" 5/8"	1-1/8" 1-1/8"	1-1/8" 1-1/8"
BAR/MUNTIN WIDTH Maximum Minimum	15/16" 1/2"	N/A N/A	N/A N/A
BAR/MUNTIN THICKNESS Maximum Minimum	1-3/4" 1-3/8"	N/A N/A	N/A N/A

\*Minimum height and width are dependent on minimum dimensions for door components and will vary between elevations. †VT3000 and 5000 Series doors only. ‡Thickness determined by door thickness.

ARTISTRY COLLECTION

## ARTISTRY STILE &amp; RAIL DOORS

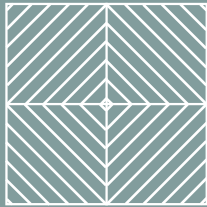


## CRAFTSMANSHIP AT ITS FINEST.

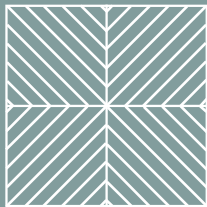
The hand-crafted beauty of our Artistry stile & rail doors is unmatched in the industry. Each door is truly customizable. From the panel configuration, veneer selection, factory finish and sticking options; your vision is our guide. Let the highly skilled, detail orientated artisans at VT create the perfect door for your one-of-a-kind project.

- Doors meet AWS Premium Grade quality standards
- Available with sketch-face veneers, laser marquetry, and blueprint matched panels and doors
- Manufactured with fluted dowel construction for maximum performance
- Raised, flat, glass, and louver panel options
- Manufactured with a wide variety of sticking options
- Limited five-year warranty for interior use
- A full array of domestic and imported veneers in stock
- AA Grade veneers are standard
- State-of-the-art production facility and equipment
- Factory-machined to exacting requirements for hardware, including pre-drilled pilot holes for hinges and face plates
- AWS System 2 pre-catalyzed lacquer finish is standard
- Custom made to fit any opening, including oversized and thick-opening applications
- Mitered corner panels and mitered rim-banded panels are standard
- Handcrafted doors paired with state-of-the-art technology

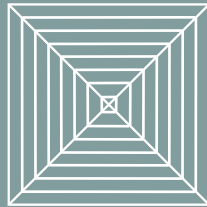
# SKETCH FACE PATTERNS



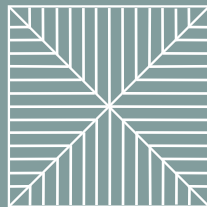
DIAMOND



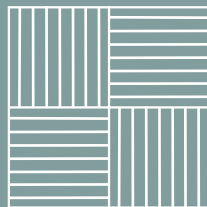
REVERSE DIAMOND



BOX



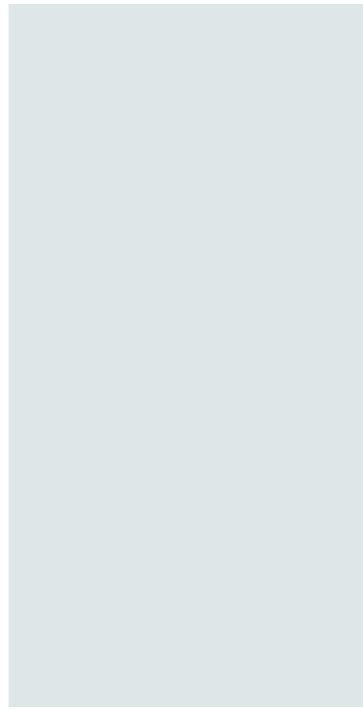
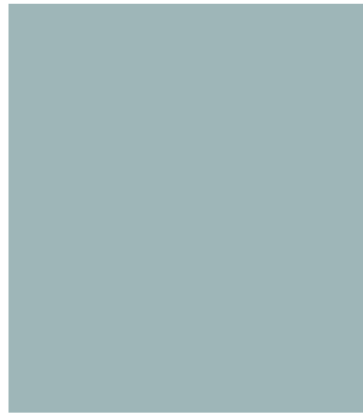
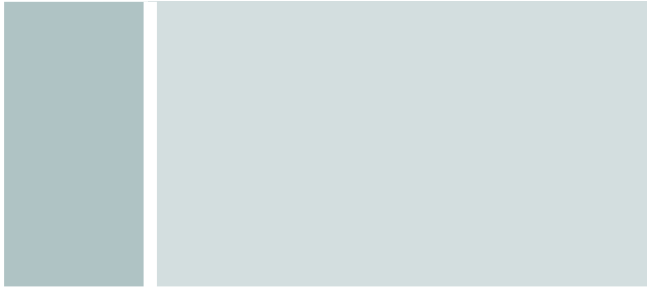
REVERSE BOX



PARQUET

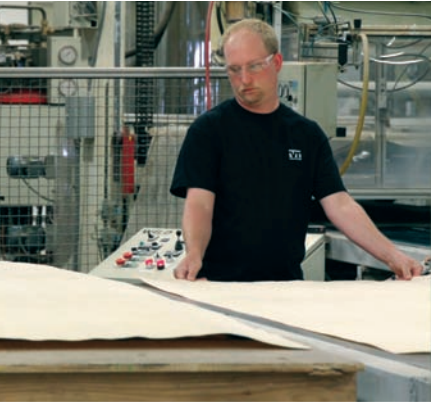


HERRINGBONE



ARTISTRY COLLECTION

# CUSTOM OPTIONS



With our Artistry Collection stile and rail doors, there is no standard elevation or sticking options. That's because every Artistry door is completely customized to fit your needs. What's more, any elevation can be produced with custom options such as oversized, specialty wood veneers and more.

## CUSTOM DOORS

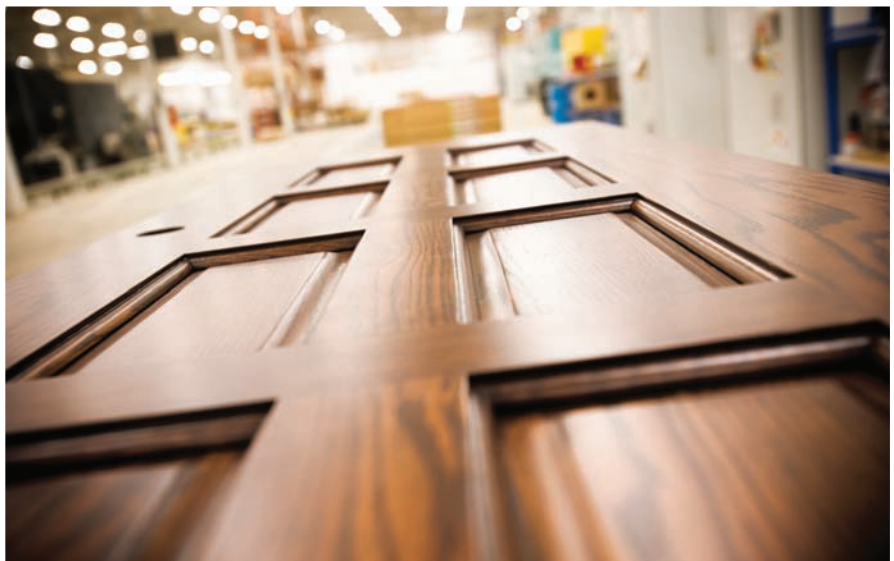
You have a vision, we have a door. Our skilled craftsmen are experts in handcrafting unique, customized doors of the highest quality. From one-of-a-kind panel configuration to sketch face laser marquetry, no matter what your vision calls for, VT can provide a stile and rail door to fit it.

## OVERSIZED DOORS

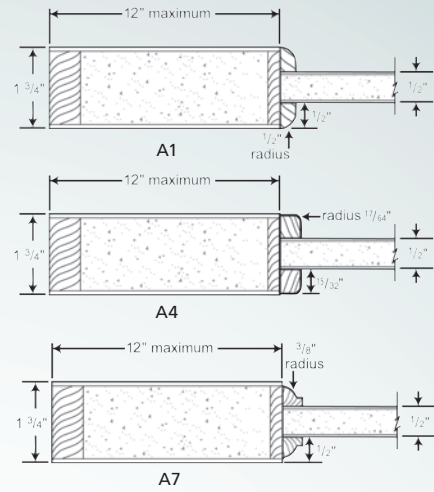
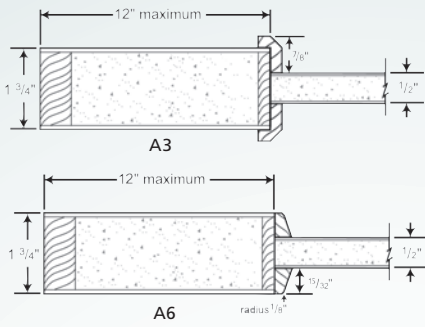
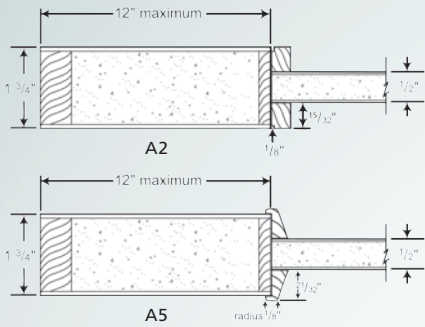
Sometimes big ideas call for a bigger door. No problem. With the VT Artistry Collection, we're able to provide stile and rail doors of all sizes. From thick doors to wide doors, we can provide your project with a handcrafted door that fits your exact needs. And because it's from VT, you can guarantee the quality and service will be unmatched.

## SPECIALTY WOOD VENEER DOORS

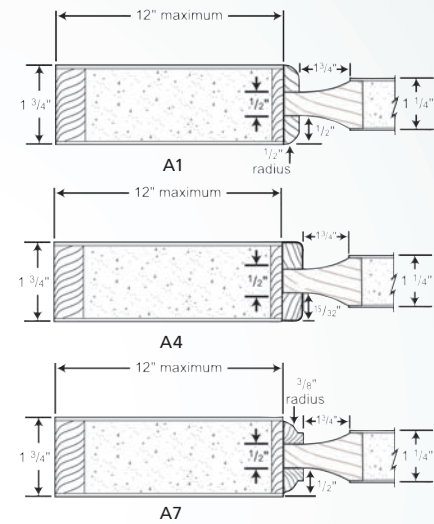
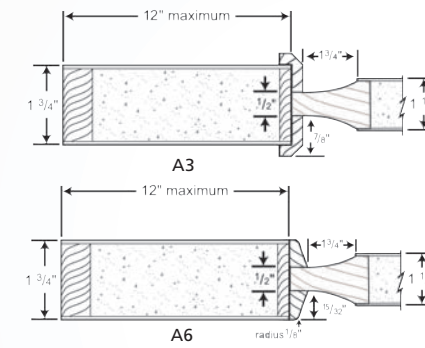
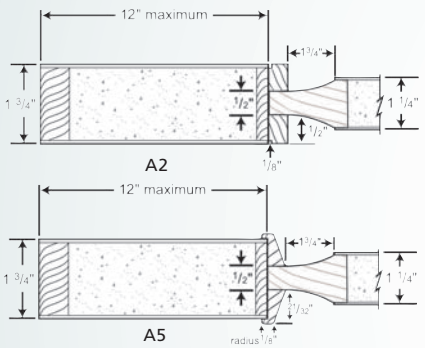
Whatever your design calls for, VT's Artistry Collection can make it happen. We have the capability to manufacture high-end, high-quality stile and rail doors to your exact design needs and specifications. Using high-end or exotic wood, our skilled craftsmen will provide the perfect specialty veneer door for your project.



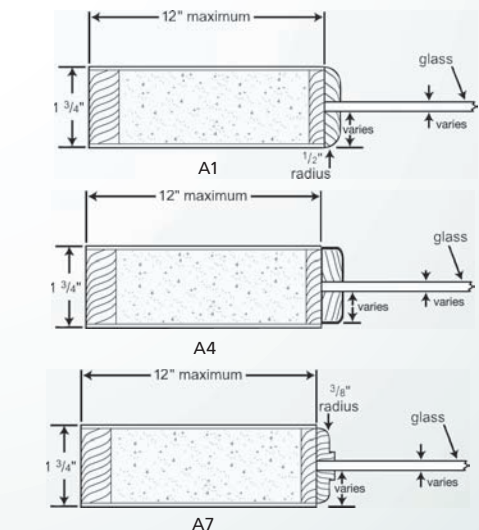
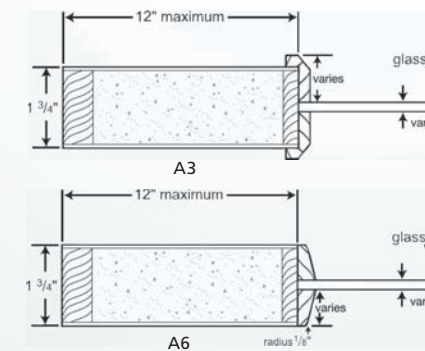
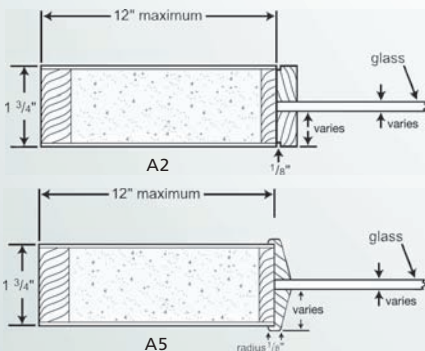
### STICKING USED ON FLAT PANELS



### STICKING USED ON RAISED PANELS



### STICKING USED WITH GLASS



ARTISTRY COLLECTION COMPONENT DIMENSIONS	NON-RATED
DOOR HEIGHT Maximum Minimum	12'-0" 2"
DOOR WIDTH Maximum Minimum	5'-6" 1"
DOOR THICKNESS Maximum Minimum	3-3/8" 1"
STILE WIDTH Maximum Minimum	12" 5"
MULLION WIDTH Maximum Minimum	12" 3"
TOP RAIL WIDTH Maximum Minimum	12" 3"
CROSS/LOCK RAIL WIDTH Maximum Minimum	12" 3"
BOTTOM RAIL WIDTH Maximum Minimum	10" 3"
RAIL LENGTH Maximum Minimum	5'-0" 6"
PANEL HEIGHT Maximum Minimum	11'-6" 6"
PANEL WIDTH Maximum Minimum	5'-0" 6"
FLAT PANEL THICKNESS Maximum Minimum	1-1/4" 1/4"
RAISED PANEL THICKNESS Maximum Minimum	2-7/8" 1/2"
BAR/MUNTIN WIDTH Maximum Minimum	15/16" 1/2"
BAR/MUNTIN THICKNESS Maximum Minimum	1-3/4" 1-3/8"

<sup>3</sup>" minimum stile width available without warranty.

# VT CUSTOMER SERVICE

## SATISFACTION IS OUR FINEST PRODUCT

Whether you need stile and rail, flush wood veneer, or high pressure decorative laminate doors, when you specify VT doors you can be assured of customer service that's second to none. We pride ourselves on serving all your door needs with our friendly, timely and expert service.

- VT sales personnel are factory trained and provide architectural consultations as part of our customer service standard.
- Call our architectural hotline for technical assistance when planning a new project, 800.827.1615 ext. 345.
- Up-to-date product, technical and specification information are always available at [www.vtindustries.com/doors](http://www.vtindustries.com/doors).



1000 INDUSTRIAL PARK  
P.O. BOX 490  
HOLSTEIN, IA 51025  
P 800.827.1615 EXT. 564  
F 712.368.4163  
DOOR\_INFO@VTINDUSTRIES.COM  
WWW.VTINDUSTRIES.COM/DOORS

