



Series 406 **2" x 6 1/2" Thermal Storefront Framing**

Manufacturer
Of
Architectural
And
Commercial
Grade
Windows,
Curtain Walls,
Entrances,
And
Storefronts

Configurations Screw Spline • Shear Block

Series 406 extends beyond the standard level of conventional storefronts. An inside and/or outside glazed configuration is available as well as a glazing infill from 3/16" to 1-1/16". Series 406 has a 6 1/2" system depth providing improved structural capability. Series 406 is compatible with all EFCO entrances.

Features

Thermally improved frames

Screw spline frame and door side lite frame assembly

Shear Block assembly at door frames

Uniform glazing gasket is used for exterior and interior

2" x 6 1/2" frame size

Accommodates up to 1 1/8" glazing

Anodized or painted finishes available

Benefits

Enhanced thermal performance

Makes installation easier, reducing labor cost
Can be shop prepped

Can be shop fabricated
Compatible with all 1 3/4" EFCO doors
Will accommodate all standard closers and hinging
Contact EFCO Applications Department for 2" Doors

Allows optimized use of gasket
Simplifies ordering and installation

Allows taller storefront elevations due to greater I value
Will allow standard 2" x 4 1/2" storefront to be integrated into the elevation because glass planes match

Expands design and energy savings options

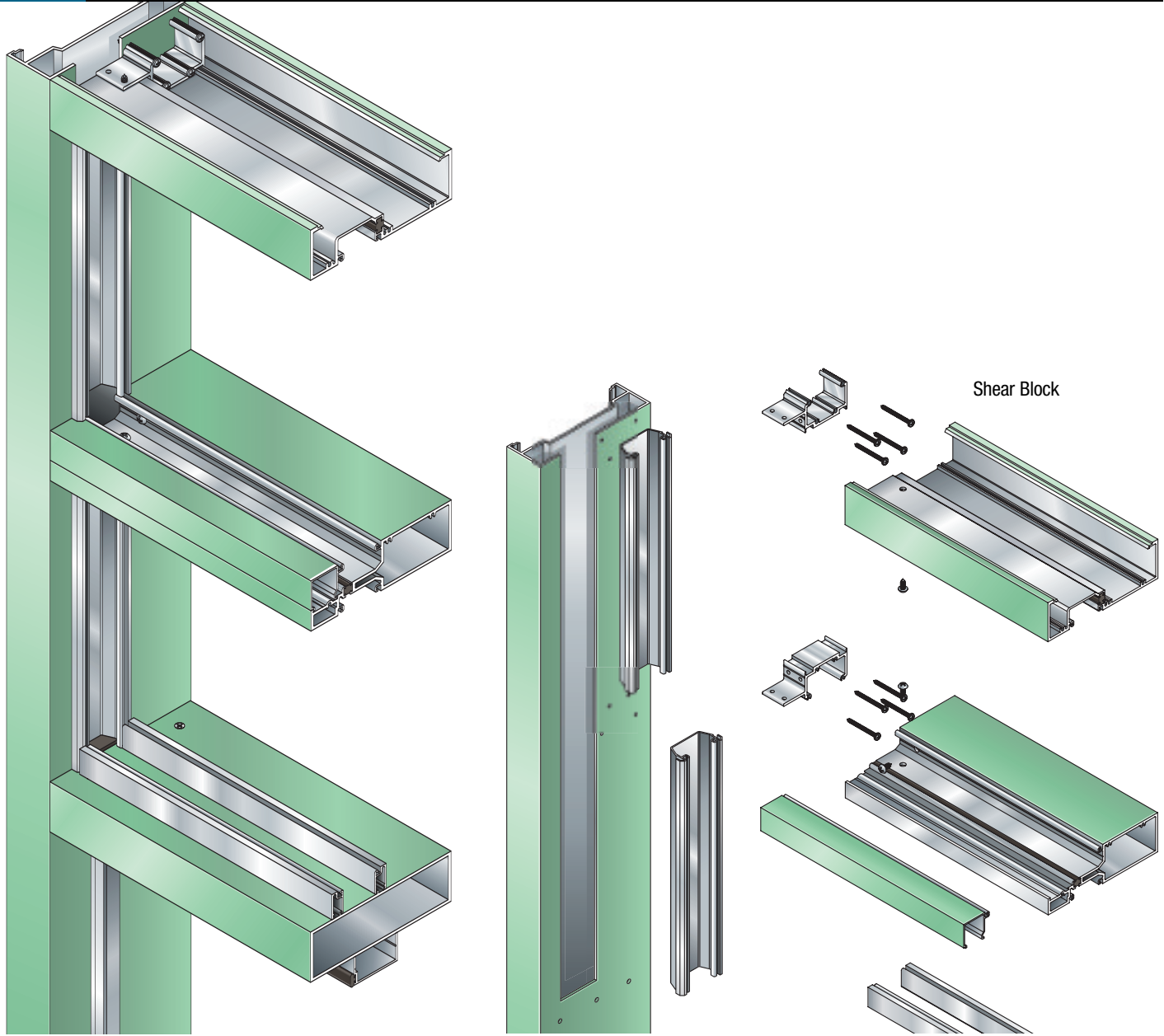
Unlimited options to answer economic and aesthetic concerns

EFCO CORPORATION
1000 COUNTY RD
MONETT, MO 65708
800.221.4169



Series 406

2" x 6 1/2" Thermal Storefront Framing



Performance Data

System 406 Storefront Screw Spline Framing	
Air Infiltration	<.06 cfm/sf @ 6.24 psf
Water	No Leakage @ 10.0 psf
Structural	See wind load charts
CRF-Frame (1503-98)	.68E
CRF-Glass (1503-98)	.71E
U-Value (1503-98)	.50E
U-Value (NFRC-102)	.46E

System 406 Storefront Shear Block Framing	
Air Infiltration	<.06 cfm/sf @ 6.24 psf
Water	No Leakage @ 10.0 psfA
Structural	See wind load charts
CRF-Frame (1503-98)	.68A,E
CRF-Glass (1503-98)	.71A,E
U-Value (1503-98)	.50A,E
U-Value (NFRC-102)	.46A,E

A = Estimated values and/or designations
 B = Non-standard size or configuration
 C = Dual glazed
 D = 1" Insulated - 1/4" clear, 1/2" air, 1/4" clear
 E = 1" Insulated - 1/4" clear (Low Emissivity), 1/2" air, 1/4" clear
 F = 1" Insulated - 1/4" clear (Low Emissivity), 1/2" argon, 1/4" clear
 G = 1" Insulated - 1/4" clear, 1/2" air, 1/4" clear (Low Emissivity)

Glazing

System 406 can be inside or outside glazed with extruded aluminum, snap-in glazing bead. Glass is "dry glazed" with top load EPDM gasket. Glazing of 3/16" to 1-1/16" infill panels are accommodated. See Glazing Chart below for exact size.

System 406 Glazing Chart	Polycarbonate			Glass or Panel												
	3/16"	1/4"	5/16"	3/16"	1/4"	1/4"***	5/16"	7/16"	1/2"	9/16"	5/8"	3/4"	7/8"	15/16"	1"	1-1/16"
Monolithic Glass	C	C	C	C	C	C	C									
Insulated Glass												C		C	A	C

** - Laminated Glass Thickness
 A - Available Glazing Option
 C - Custom pressure plate, adaptor and/or gasket required - N/A

Series 406

2" x 6 1/2" Thermal Storefront Framing



Frame Construction

The frames have a depth of 6 1/2", and the nominal material wall thickness is .080". Members are extruded 6063-T6 aluminum alloy. Corner construction employs screw spline or shear block method. See Illustration 1 & 2.

Door Frames

Series 406 offers integral entrance frames as a part of the framing system. Members are nominally .080" in thickness.

Weather Stripping

All screw applied door stops are weather-stripped with EPDM bulb gasket.

Glazing

Series 406 can be inside or outside glazed with extruded aluminum, snap-in glazing bead. Glass is "dry glazed" with top load EPDM gasket. Glazing of 3/16" to 1 1/16" infill panels are accommodated. See Glazing Chart for exact size.

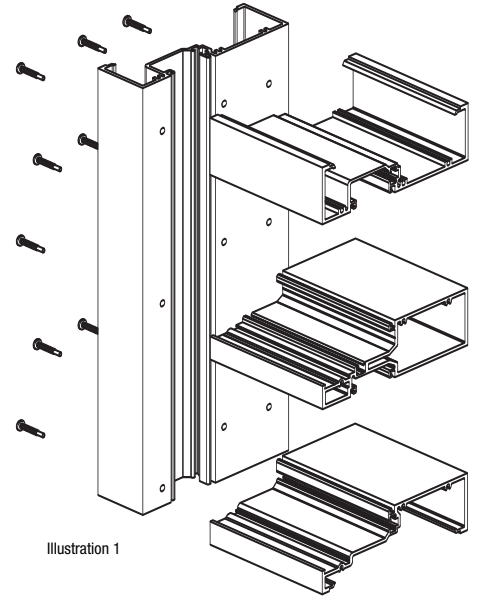


Illustration 1

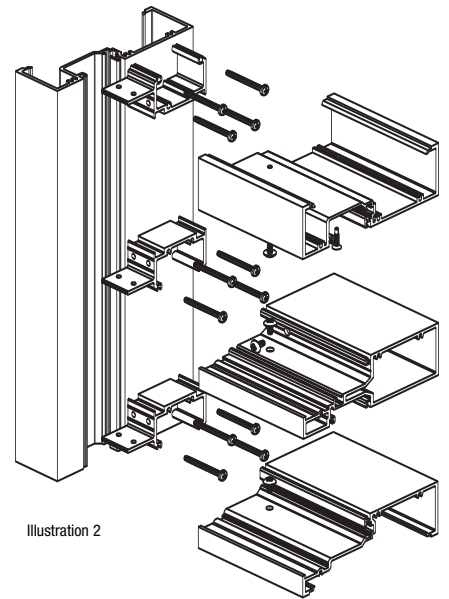
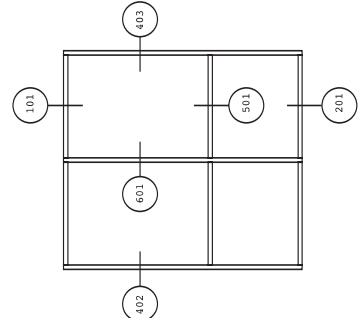
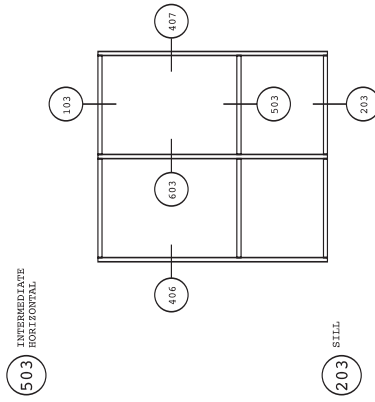
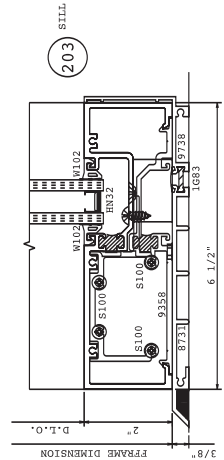
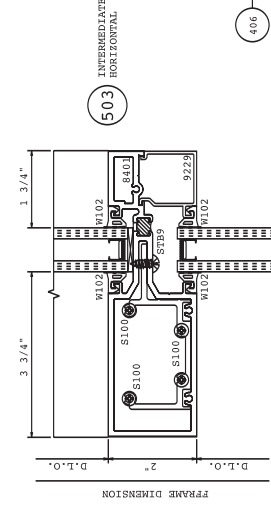
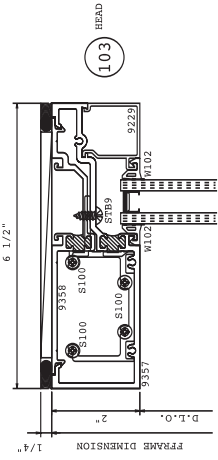
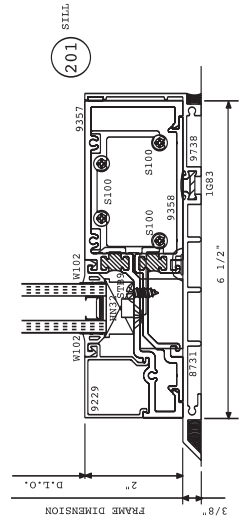
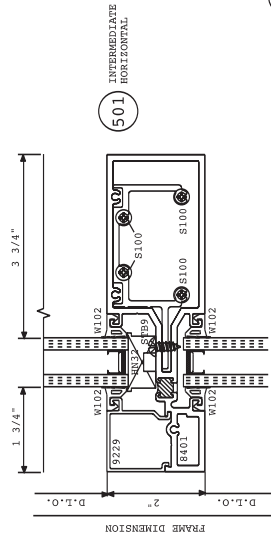
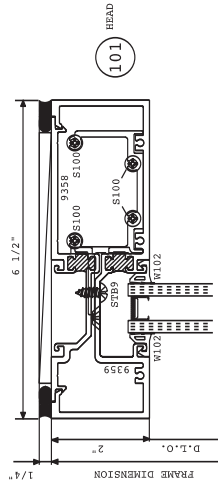
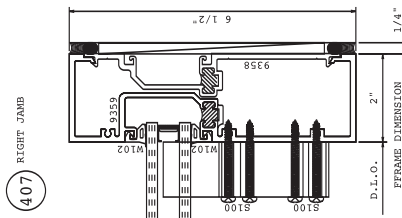
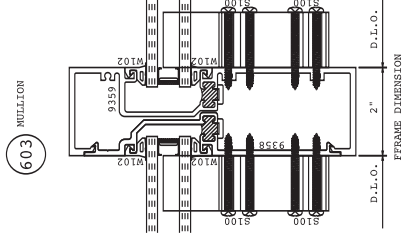
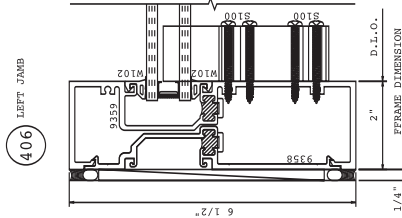
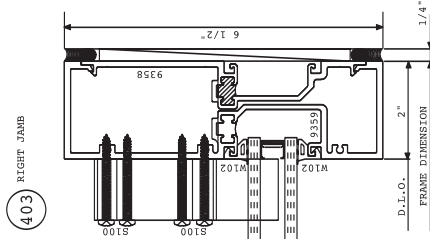
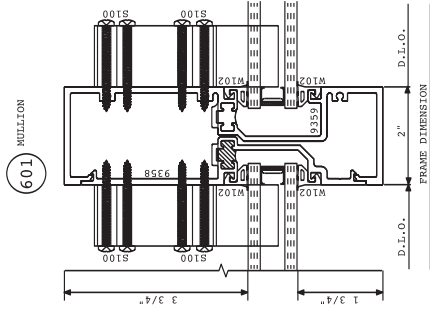
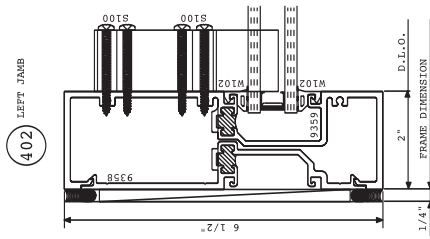


Illustration 2



406 Shear Block

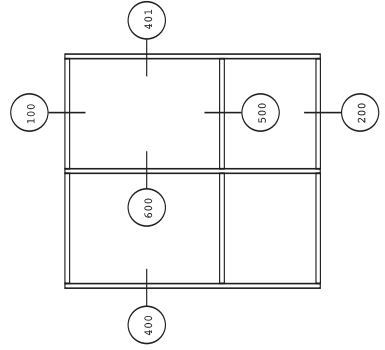
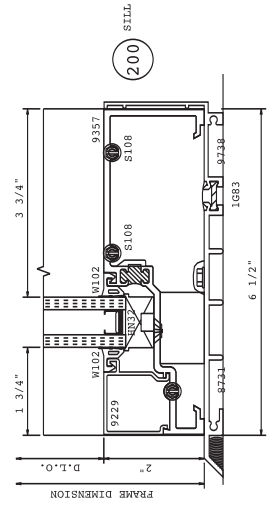
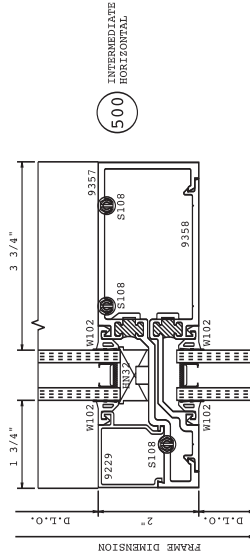
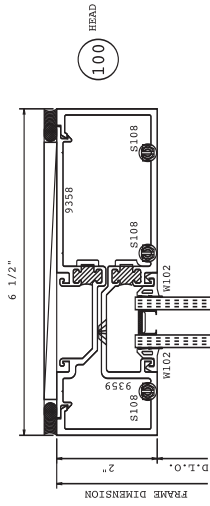
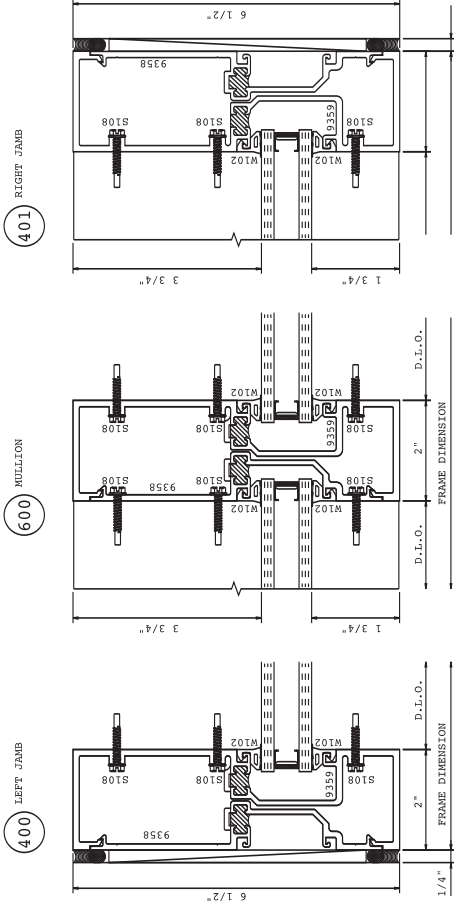
Inside Glazed

406 Shear Block

Inside Glazed

406 Screw Spline

Inside Glazed



406 Screw Spline

Inside Glazed

