



**WOODWORKS® Linear**  
Veneered Planks, Panels, Solid Wood Panels

Inspiring Great Spaces™

**Armstrong®**

CEILING & WALL SYSTEMS

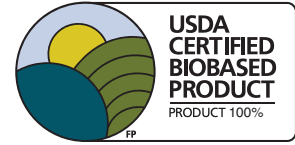


# WOODWORKS® Linear

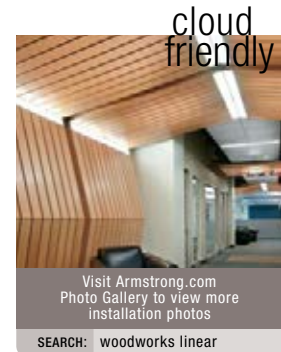
## Veneered Panels



The mark of responsible forestry



WoodWorks Linear 96" x 3-3/4" in Custom Constants Light Cherry; Fox Lake District Library, Fox Lake, IL



Visit [Armstrong.com](http://Armstrong.com) Photo Gallery to view more installation photos

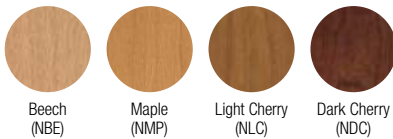
SEARCH: woodworks linear

### ADDITIONAL ATTRIBUTES OF WOODWORKS LINEAR PLANKS

- Standard wood plank in two widths; nominal 4-1/2" and 6" modules, with traditional 3/4" reveals
- Standard factory-applied acoustical fleece
- Install in the ceiling, on the wall, or create 90° angled or curved ceiling-to-wall transitions (one-foot minimum radius)
- Create upturns for continuous visuals and clouds with veneer-wrapped WoodWorks Trim
- Suspension system and planks from one manufacturer; improved for 30-50% faster installation
- California Air Resources Board (CARB) compliant
- 100% Biobased content certified by USDA BioPreferred® Products program (preferred for government projects)
- Class A Fire Resistance
- Custom veneers and stain matching available; for details, contact Architectural Specialties at 1 877 ARMSTRONG, select options 1-1-4

### VENEER SELECTION Due to printing limitations, shade may vary from actual product.

#### Natural Variations™ (Real Wood Veneers)



#### Constants™ (Real Wood Veneers)



#### Bamboo (Veneer is Rapidly Renewable)\*



Pictured on cover: WoodWorks Linear in Natural Variations Light Cherry; Side Street Inn, Honolulu, HI

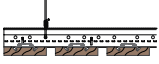
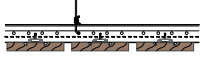
You can also create beautiful curved looks with a faceted suspension system. Due to its non-standard suspension system, these S-Service items are ordered through Architectural Specialties at 1 877 ARMSTRONG, select options 1-1-4.

\* Bamboo is a grass that only requires 3-7 years for maturity and does not have to be replanted after each harvest.

# WOODWORKS® Linear Veneered Panels

## LINEAR PLANKS VISUAL SELECTION

## PERFORMANCE

Edge Profile	Item Number *	Dimensions (Inches)	Acoustics NRC	Fire Rating
<b>WOODWORKS Linear – Nominal 4-1/2" Module</b>				
	6440W1 _ _ _	96 x 3-3/4 x 3/4" with 3/4" reveal	0.50 0.65**	Class A
	6640W1 _ _ _ (FSC®-certified)	96 x 3-3/4 x 3/4" with 3/4" reveal	0.50 0.65**	Class A
<b>WOODWORKS Linear – Nominal 6" Module</b>				
	6460W1 _ _ _	96 x 5-1/4 x 3/4" with 3/4" reveal	0.40 0.50**	Class A
	6660W1 _ _ _ (FSC-certified)	96 x 5-1/4 x 3/4" with 3/4" reveal	0.40 0.50**	Class A

\* When specifying or ordering, please include the appropriate three-letter color suffix (e.g., 6460W1 **N M P**)

\*\* Adding acoustical infill (item 8200100, 5479, or 5823) for 4-1/2" module increases the NRC to 0.65. Adding acoustical infill (8208100, 5479, 5823) for 6" module increases the NRC to 0.50.

## SUSPENSION SYSTEMS

Item Number	Description	Dimensions (Inches)	Pieces/Carton
5370	12' HD Linear Carriers (concealed) with integral clips (factory-applied) for nominal 4-1/2" modules	144 x 15/16 x 1-11/16"	10 (Approx. 240 SF/ctn installed with planks)
5371	12' HD Linear Carriers (concealed) with integral clips (factory-applied) for nominal 6" modules	144 x 15/16 x 1-11/16"	10 (Approx. 240 SF/ctn installed with planks)

NOTE: For radiused applications, use standard panels and HD Linear Carriers faceted 12" on center with RC2BL clips.

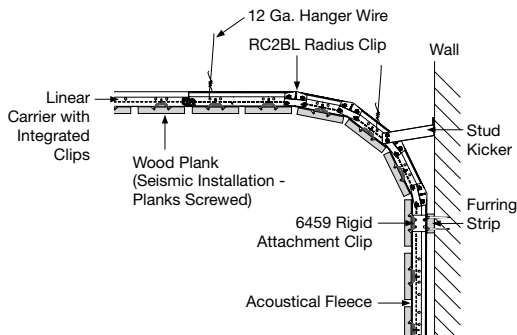
## CEILING-TO-WALL TRANSITIONS



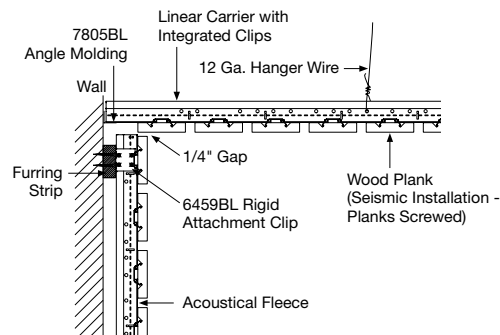
WoodWorks Linear 96" x 3-3/4" in Natural Variations™ Light Cherry; Ceiling-to-Wall Faceted Transition



WoodWorks Linear 96" x 3-3/4" in Natural Variations™ Light Cherry; Ceiling-to-Wall 90° Angle Transition



Faceted Ceiling-to-Wall System Assembly



90° Ceiling-to-Wall System Assembly

# WOODWORKS® Linear Veneered Panels

**LEED®**

- energy management
- construction waste mgmt
- regional materials\*
- design for flexibility
- EPD
- recyclable/extended producer resp.
- biobased materials
- FSC\* (or wood)\*
- recycled\* content
- sourcing of raw materials
- material ingredient reporting
- low emitting materials
- lighting quality
- acoustics

Calculate LEED contribution at [armstrong.com/greengenie](http://armstrong.com/greengenie)

\*LOCATION DEPENDENT

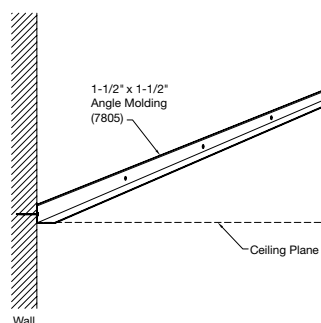
## ACCESSORIES

Item Number	Description	Dimensions (Inches)	Pieces/Carton
5843	Linear Wood Panel Splice	—	100
5659W1 ___ *	4" WoodWorks Trim (with aluminum substrate)	4 x 120"	6
5660W1 ___ *	6" WoodWorks Trim (with aluminum substrate)	6 x 120"	6
5948	Linear and Channeled Trim Connector Clip	N/A	30
RC2BL	Radius Clip for faceted suspension system applications (Black)	—	205 pcs/bucket
7805BL**	10' Angle Molding (Tech Black)	120 x 1-1/2 x 1-1/2"	30
7823BL**	10' Shadow Molding (Tech Black)	120 x 2 x 1-1/4 x 3/4"	10
FXSPLICE	Splice Plate with Setscrews for Trim	N/A	10
6408 ___ *	3/4" Edge Banding (factory-applied available upon request)	3/4 x 300"	25 foot roll
6459BL	Rigid Attachment Clip (Black)	5-1/2 x 1-3/4"	25
92715A620	Self-tapping Screws (Black)	#2 x 3/4" Length	25
7891	12 Gauge Hanger Wire	144" Length	140
8200100	Fiberglass Infill Bag (Black - Gloss)	24 x 24 x 12"	12
5479	BioAcoustic™ Infill Panel (Beige - Matte)	24 x 24 x 5/8"	12
5823	BioAcoustic Infill Panel (Black - Matte)	24 x 24 x 5/8"	12

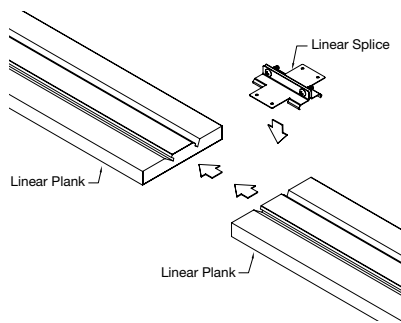
\* When specifying or ordering, include the appropriate three-letter color suffix that coordinates with your WoodWorks ceiling (e.g., 5659W1 **B A P**)

\*\* This color is a special order item with these moldings.

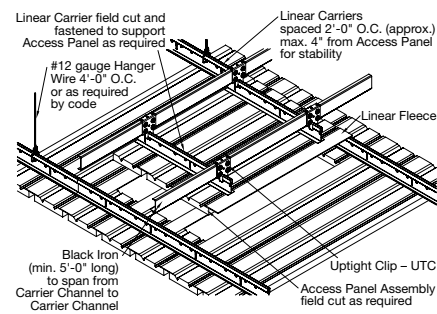
## ACCESSORY DETAILS



Angle Molding (Item 7805BL) Detail



Linear Splice (Item FXSPLICE) Detail



Access Panel Assembly

## FINISHES

Natural Variations™ Beech (NBE)    Natural Variations™ Light Cherry (NLC)    Constants™ Maple (CMA)    Constants™ Walnut (CWA)    Bamboo Native (BAN)  
 Natural Variations™ Maple (NMP)    Natural Variations™ Dark Cherry (NDC)    Constants™ Cherry (CCY)    Bamboo Patina (BAP)

## PHYSICAL DATA

**Material**  
 Fire retardant particle board with face-cut veneers. FSC®-certified fire retardant particle board with face-cut veneers (SW-COC-3601). For more information about FSC-certified products or to view our FSC certification letter, visit [armstrong.com/woodworksfscc](http://armstrong.com/woodworksfscc)  
 Factory-applied black fleece on each plank to cover the reveal.

**Surface Finish**  
 Clear or tinted semigloss coating

**Fire Performance**  
 ASTM E84 surface burning characteristics, HPVA Certified with audit program per ASTM E84, Flame Spread Index 25 or less. Smoke Developed Index 50 or less.

CAN/ULC S102 surface burning characteristics. Flame Spread Rating 25 or less. Smoke Developed Classification 50 or less.

Linear wood, as with other architectural features located at the ceiling, may obstruct or skew the planned fire sprinkler water distribution pattern, or possibly delay or accelerate the activation of the

sprinkler or fire detection systems by channeling heat from a fire either toward or away from the device. Designers and installers are advised to consult a fire protection engineer, NFPA 13, and local codes for guidance where automatic fire detection and suppression systems are present.

**ASTM E1264 Classification**  
 Composite – Fire Class A

**Application Considerations**  
 Variation among panels may occur due to the natural characteristics of the wood and grain.

It is very important that WoodWorks planks are climatized prior to installation. Relative humidity between 25% and 55% and temperatures between 50°F and 86°F must be maintained.

**Design Consideration**  
 WoodWorks Linear panels are edge banded on the long sides but unfinished on the short ends to make splicing the planks easier. Finished ends are available upon request.

**Specification Consideration**  
 Attention: For FSC-certified wood products to maintain their CoC certification, products must be sold to a CoC-certified distributor or directly to the installing contractor. Failure to do so breaks the CoC.

**Installation Considerations**  
 Installation can use staggered, random joints for a monolithic appearance or consistent lengths for a modular style. For expansion, a 3/4" gap is recommended at every 24 foot run of plank. See installation instructions BPLA-297443 at [armstrong.com/installation](http://armstrong.com/installation).

**Seismic Restraint**  
 Linear wood has been engineered, tested, and approved in all seismic areas.

**Warranty**  
 Warranty details at [armstrong.com/warranty](http://armstrong.com/warranty)

**Weight/Square Feet**  
 6440, 6640 – 2.88 lbs/SF  
 6460, 6660 – 2.89 lbs/SF  
 (Bulk packaged)



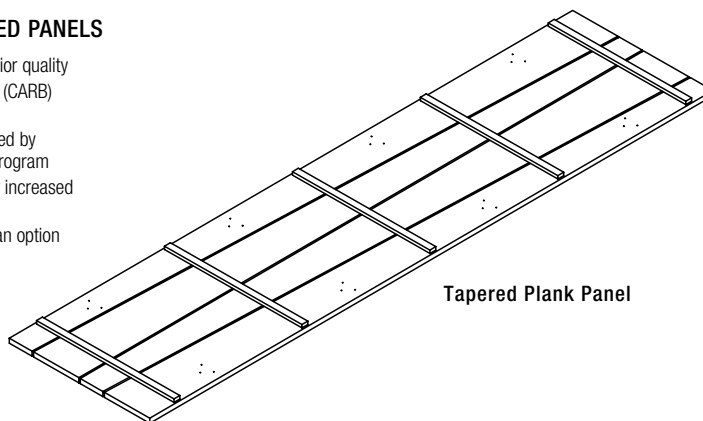
# WOODWORKS® Linear Veneered Panels



WoodWorks Linear Veneer panels in tapered visual and Natural Variations Light Cherry finish.

## ADDITIONAL ATTRIBUTES OF WOODWORKS LINEAR VENEERED PANELS

- Unique tapered planks or traditional wood planks in nominal 4" or 6" width
- Create continuous looks and clouds with veneer-wrapped and painted aluminum trim
- Hook-on panels (for standard 15/16" suspension) provide safe and secure downward accessibility
- Complete standard system from one manufacturer (suspension systems/panels/trim)
- Factory edge banded for superior quality
- California Air Resources Board (CARB) compliant
- 100% Biobased content certified by USDA BioPreferred® Product program
- BioAcoustic™ infill available for increased acoustical performance
- Acoustical fleece available as an option
- Class A Fire Resistance

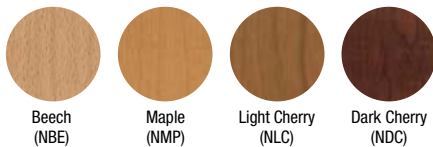


Tapered Plank Panel

## VENEER SELECTION

Due to printing limitations, shade may vary from actual product.

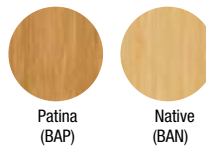
### Natural Variations™ (Real Wood Veneers)



### Constants™ (Real Wood Veneers)



### Bamboo (Rapidly Renewable)



In addition to these standard options, there may be other sizes and veneers available. Contact Armstrong Architectural Specialties for details at 1 877 ARMSTRONG, select options 1-1-4.

# WOODWORKS® Linear Panels



Calculate LEED contribution at [armstrong.com/greengenie](http://armstrong.com/greengenie)

\*LOCATION DEPENDENT

## VISUAL SELECTION

Edge Profile	Item Number*	Description	Dimensions† (Inches) Nominal W x L x H
	6690W1 ___	Nominal 4" wide planks	24 x 96 x 3/4"
	6691W1 ___	Nominal 6" wide planks	24 x 96 x 3/4"
	6692W1 ___	Tapered planks	24 x 96 x 3/4"

## PERFORMANCE

NRC\*\*

EXAMPLE:

**6690W1 NLC**

Panel Dimension/Type: 24" x 96" Nominal 4" wide planks  
Finish: Natural Variations™ Light Cherry

\* When specifying or ordering, include the appropriate three-letter color suffixes.

For veneers, sizes, and perforation patterns available as special order, call 1 877 ARMSTRONG and select options 1-1-4. To view more perforation information and build swatches in real time, visit [armstrong.com/swatchit](http://armstrong.com/swatchit).

\*\* NRC achieved with BioAcoustic™ infill (item 6657).

† Item 6690 – Features a total of 5 planks that are 4.05" wide with a 3/4" reveal between planks. Panels will have a 3/4" reveal on all sides and ends.

Item 6691 – Features a total of 4 planks that are 5.75" wide with a 1/4" reveal between planks. Panels will have a 1/4" reveal on all sides and ends.

Item 6692 – Features a total of 4 planks that are 3.833" wide at one end and 7.666" wide at the other end with a 1/4" reveal between planks and 1/4" reveal on all sides and ends.

## ACCESSORIES

Item Number	Description	Dimensions (Inches) Nominal	Color	Pieces/Carton
6603W1 ___*	WoodWorks Concealed Trim**	6 x 120"	Standard Veneers (see below)	6
FXTBC	T-Bar Connector Clip	N/A	N/A	10
FX4SPLICE	Splice Plate with Setscrews	N/A	N/A	10
5823	BioAcoustic™ Infill Panel	24 x 24 x 5/8"	Black	12
6408 ___*	Edge Banding	300 x 3/4"	Standard Veneers (see below)	1

\* When specifying or ordering, include the two- or three-letter color suffix that coordinates with your WoodWorks ceiling (6408 N M P)

\*\* Trim cartons include FXTBC Clips and FX4SPLICE Plates.

## FINISHES

Natural Variations™ Beech (NBE)	Natural Variations™ Light Cherry (NLC)	Constants™ Maple (CMA)	Constants™ Walnut (CWA)	Bamboo Native (BAN)
Natural Variations™ Maple (NMP)	Natural Variations™ Dark Cherry (NDC)	Constants™ Cherry (CCY)	Bamboo Patina (BAP)	

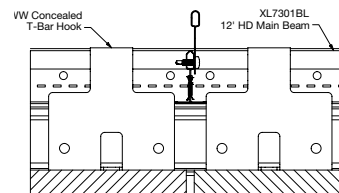
## SUSPENSION SYSTEMS

15/16" Standard: Prelude® BL (Tech Black)

Item Number	Description	Dimensions (Inches)	Pieces/Carton
5986	T-Bar Hook†	Nominal 4 x 2 x 3"	50
91070A244	Wood Screws	5/8"	100
6091	Safety Cable	24" x 3/32"	50
SH12	Support Hanger	144 x 2"	12

† For a 24" x 96" panel, install eight hooks. NOTE: Three screws per hook.

NOTE: Refer to installation instructions at [armstrong.com/installation](http://armstrong.com/installation) for a better understanding of suspension requirements.



Installation Detail

## PHYSICAL DATA

### Material

FSC-certified fire retardant particle board with face-cut veneers (SW-COC-003601). For more information about FSC-certified products or to view our FSC certification letter, visit [armstrong.com/woodworksfscc](http://armstrong.com/woodworksfscc)

6603 - Face-cut veneer or black paint on aluminum laminate substrate

### Surface Finish

Clear or tinted semigloss coating

### Fire Performance

ASTM E84 surface burning characteristics. HPVA Certified with audit program per ASTM E84. Flame Spread Index 25 or less. Smoke Developed Index 50 or less.

CAN/ULC S102 surface burning characteristics. Flame Spread Rating 25 or less. Smoke Developed Classification 50 or less.

### ASTM E1264 Classification

Composite – Fire Class A

### Application Considerations

Variation among panels may occur due to the natural characteristics of the wood and grain.

Use of large wood panels may result in deflection up to 1/8" and alignment inconsistency due to size and ambient conditions.

It is very important that WoodWorks panels are climatized prior to installation. Relative humidity between 25% and 55%, and temperatures between 50°F and 86°F must be maintained throughout the life of the product.

### Design Considerations

Cloud installations with total panel width less than 6' wide are not recommended.

Cloud installations with total panel length less than 16' wide cannot be done.

### Specification Consideration

Attention: For FSC-certified wood products to maintain their CoC certification, products must be sold to a CoC-certified distributor or directly to the installing contractor. Failure to do so breaks the CoC.

### Seismic Installation

These systems have been engineered, tested, and meet the requirements for applications in Seismic Design Categories D, E, and F.

### Warranty

Warranty details at [armstrong.com/warranty](http://armstrong.com/warranty)

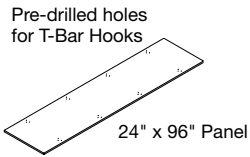
### Weight/Square Feet

6690, 6691, 6692 – 2.75 lbs/SF; bulk packed per order. Suspension, hardware, and accessories ordered separately.

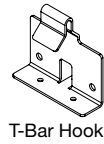
# WOODWORKS® Linear Panels

## HOW TO INSTALL WOODWORKS LINEAR VENEERED PANELS

### Step 1: Select Panel

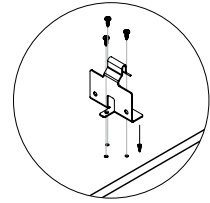


### Step 2: Order T-Bar Hooks and Screws Based on Panel Size

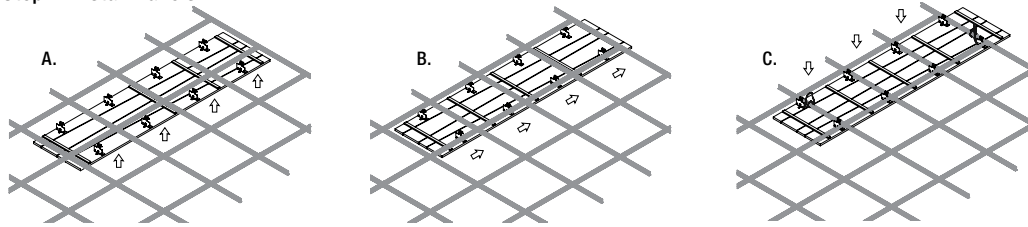


Panel Size	Number of Hooks Needed	Number of Screws Needed*
24 x 96"	8	24
*3 screws per hook		

### Step 3: Install Hooks on Panels

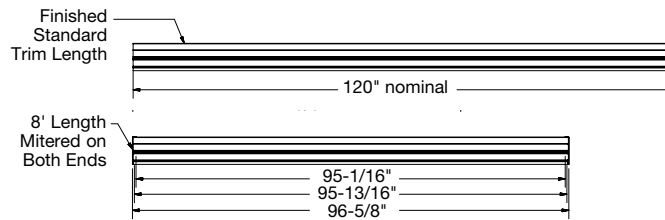
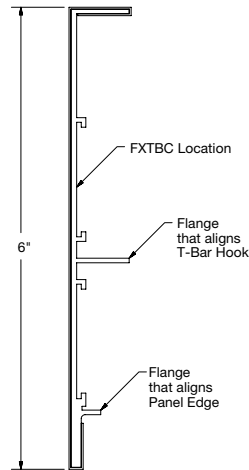


### Step 4: Install Panels

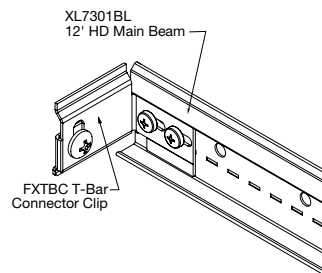


## HOW TO INSTALL TRIM

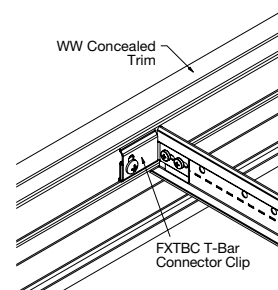
### Step 1: Cut and Miter Trim



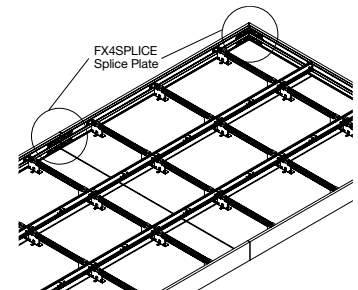
### Step 2: Attach Clips to Ends of Main Beams and Cross Tees



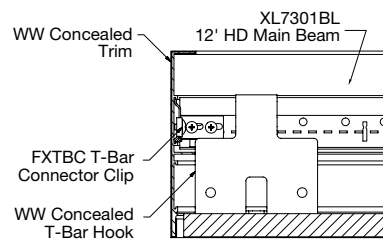
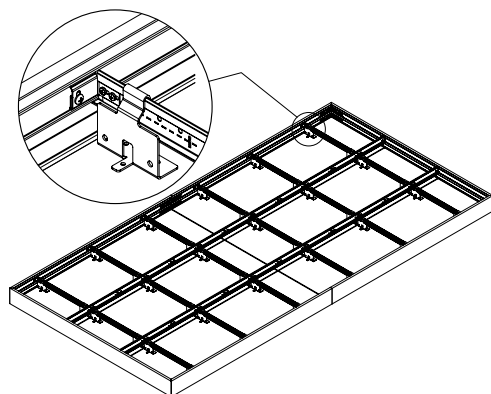
### Step 3: Attach Trim to Clips



### Step 4: Install Splice Plates



### Step 5: Install Panels



# WOODWORKS® Linear Solid Wood Panels



The mark of responsible forestry



WoodWorks Linear Solid Wood panels in Grille Dark Cherry

## ADDITIONAL ATTRIBUTES OF WOODWORKS LINEAR SOLID WOOD PANELS



- Two plank widths – nominal 3" and nominal 5" – in four rich finishes and White
- Fast, easy installation – screw into suspension system or install with backer clip
- Create continuous looks and clouds with solid wood trim
- Complete standard system from one manufacturer
- BioAcoustic™ infill available for increased acoustical performance
- Acoustical fleece available as an option

## FINISH SELECTION

Due to printing limitations, shade may vary from actual product.

### Natural Variations (Real Wood Veneers)



Grille  
White  
(GWH)



Grille  
Maple  
(GMP)



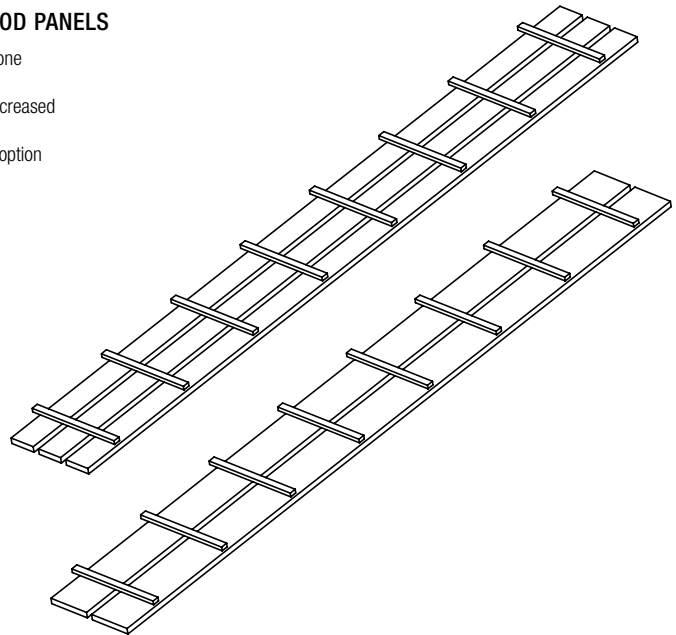
Grille  
Light Cherry  
(GLC)



Grille  
Dark Cherry  
(GDC)



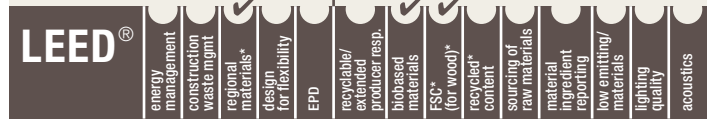
Grille  
Walnut  
(GWN)



In addition to these standard options, there are more finish and size choices available as custom options. Contact Armstrong Architectural Specialties for details at 1 877 ARMSTRONG and select prompts 1-1-4.



# WOODWORKS® Linear Solid Wood Panels



Calculate LEED contribution at [armstrong.com/greengenie](http://armstrong.com/greengenie)

\*LOCATION DEPENDENT

## VISUAL SELECTION

## PERFORMANCE

Edge Profile	Item Number *	Description	Dimensions† (Inches) Nominal W x L x H	Acoustics NRC*
	6693W1 _ _ _	Nominal 3" wide planks	12 x 96 x 3/4"	0.60
	6694W1 _ _ _	Nominal 5" wide planks	12 x 96 x 3/4"	0.50

\* NRC achieved with acoustical infill (Item 6657).

NOTE: For additional color and size options, or acoustical felt available as a custom option, call Architectural Specialties at 1 877 ARMSTRONG and select options 1-1-4.

\*\* When specifying or ordering, include the three-letter color suffix that coordinates with your WoodWorks ceiling: (e.g., 6693 G M P)

‡ Item 6693 – Features a total of 3 planks that are 3.25" wide with a 3/4" reveal between planks. Panels will have a 3/4" reveal on sides.

Item 6694 – Features a total of 2 planks that are 5.25" wide with a 3/4" reveal between planks. Panels will have a 3/4" reveal on sides.

## ACCESSORIES

Item Number	Description	Dimensions (Inches) Nominal W x L x H	Color	Pieces/Carton
7146 _ _ _ *	Solid Wood Trim	4 x 120 x 3/4"	See Finishes Below	Bulk
5687†	Backer Clip	3/8 x 11/16 x 7/8"	N/A	250 pcs/pail
5671 _ _ _ *	Ledger	1 x 96 x 1/4"	See Finishes Below	Bulk
7891	12 Gauge Soft Hanger Wire	144" Length	N/A	140
92715A620	Self-tapping Screws	#2 x 3/4" Length	Black	25
6657	BioAcoustic™ Infill Panel	11 x 48 x 5/8"	Black (Matte)	10

\* When specifying or ordering, include the three-letter color suffix that coordinates with your WoodWorks ceiling: (e.g., 5671 G M P)

† Backer clip should only be used when installing panels with 3" wide nominal planks.

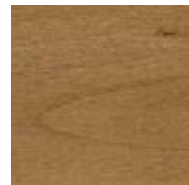
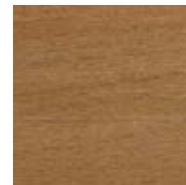
## FINISHES

Grille White (GWH) Grille Maple (GMP) Grille Light Cherry (GLC) Grille Dark Cherry (GDC) Grille Walnut (GWN)

## SUSPENSION SYSTEMS

15/16" Prelude® XL® (Black recommended)

Wood is a natural product and will exhibit natural variations in color, grain, and texture, and knot holes of up to 1/2" in diameter.



## PHYSICAL DATA

### Material

Planks and Backers – Solid Poplar (yellow or hybrid)

### Surface Finish

Clear or tinted semigloss coating on all finishes except Grille White (GWH). Grille White (GWH) has a lacquer finish.

### Fire Performance

Solid Hardwood Blades and Backers – ASTM E84 surface burning characteristics. Flame Spread Index 200 or less. Smoke Developed Index 450 or less.

Class A intumescent treatment is available for all finishes EXCEPT Grille White (GWH).

Fire performance will vary between wood species.

Composite Linear Solid Wood Panels product testing has not been completed, since results will vary on a project-by-project basis. Contact TechLine at

1 877 ARMSTRONG for details.

WoodWorks Linear Solid Wood Panels, as with other architectural features located at the ceiling, may obstruct or skew the planned fire sprinkler water distribution pattern, or possibly delay or accelerate the activation of the sprinkler or fire detection systems by channeling heat from a fire either toward or away from the device. Designers and installers are advised to consult a fire protection engineer, NFPA 13, and local codes for guidance where automatic fire detection and suppression systems are present.

### Application Considerations

Variation among panels may occur due to the natural characteristics of the wood and grain.

### Design Considerations

It is very important that WoodWorks panels are climatized prior to installation. Relative humidity between 25% and 55% and temperatures between 50°F and 86°F must be

maintained.

### Installation Consideration

System is designed to have a 1" gap between panels.

Backer clip can only be used for installations of the panel with 3" nominal planks (Item 6693).

### Seismic Restraint

WoodWorks Linear Solid Wood Panels have been engineered, tested, and approved in all seismic areas.

### Warranty

Warranty details at [armstrong.com/warranty](http://armstrong.com/warranty)

### Weight; Square Feet/Carton

6693 – 1.25 lbs/SF

6694 – 1.25 lbs/SF

(Bulk packaged)