



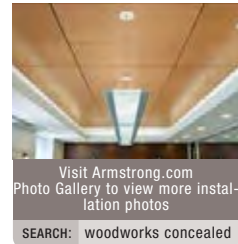
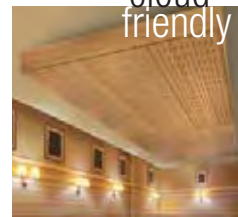
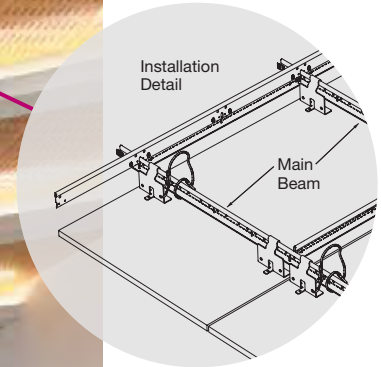
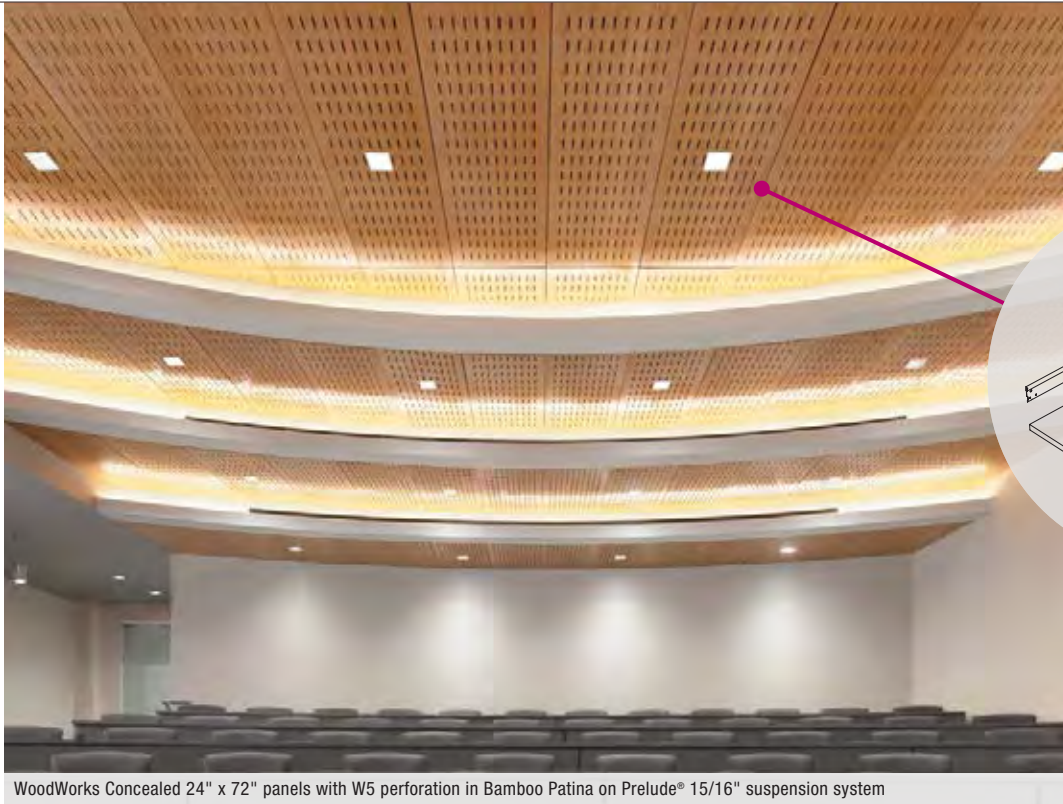
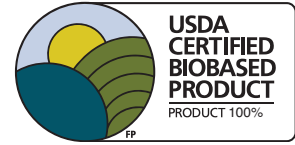
WOODWORKS[®] CONCEALED

Inspiring Great Spaces[™]

Armstrong[®]

CEILING & WALL SYSTEMS

WOODWORKS®
Concealed Suspension
 Natural Variations™, Constants™, and Bamboo



WoodWorks Concealed 24" x 72" panels with W5 perforation in Bamboo Patina on Prelude® 15/16" suspension system

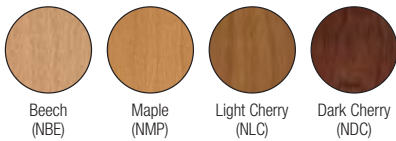
KEY SELECTION ATTRIBUTES

- Mix and match three standard panel sizes on the same project
- Narrow 1/4" reveal visual
- Hook-on panels (for standard 15/16" suspension) provide safe and secure downward accessibility
- Create continuous looks and clouds with 6" aluminum trim available in six coordinating wood finishes or black
- Coordinating WoodWorks walls (see website or catalog)
- Factory edge banded for superior quality
- Shorter lead times and lower cost than custom millwork
- Complete standard system from one manufacturer (suspension system/panels/trim)
- California Air Resources Board (CARB) compliant*

cloud friendly

VENEER SELECTION Due to printing limitations, shade may vary from actual product.

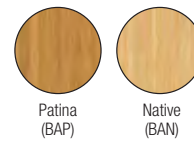
Natural Variations (Real Wood Veneers)



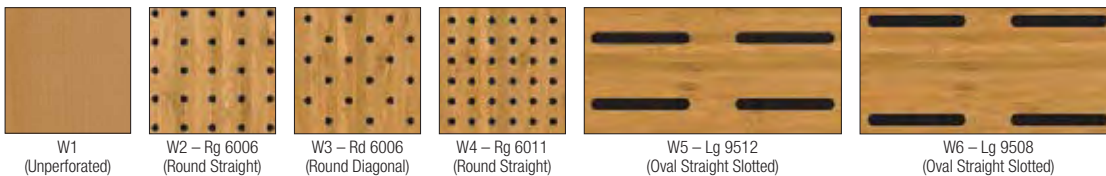
Constants (Real Wood Veneers)



Bamboo (Veneer is Rapidly Renewable)**



PERFORATION OPTIONS (Actual 1:6 scale shown)



NOTE: Slotted perforations run parallel to the length of the panel.
 To view more perforation information and build swatches in real time, visit armstrong.com/swatchit

In addition to these standard options, there are other sizes and veneers available with WoodWorks Access™ Custom systems. Contact the Armstrong Architectural Specialties project management team for details at 1 877 ARMSTRONG and select options 1-1-4.

* Specified in Title 17 California Code of Regulations Section 93120.2(a)

** Bamboo is a grass that only requires 3-7 years for maturity and does not have to be replanted after each harvest.



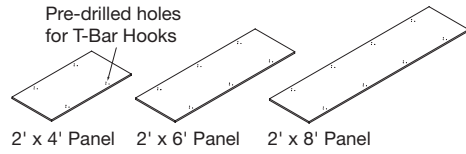
WOODWORKS®

Concealed Suspension

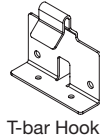
Natural Variations™, Constants™, and Bamboo

HOW TO INSTALL PANELS

Step 1: Select Panel Size



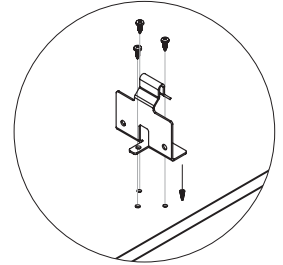
Step 2: Order T-bar Hooks and Screws Based on Panel Size



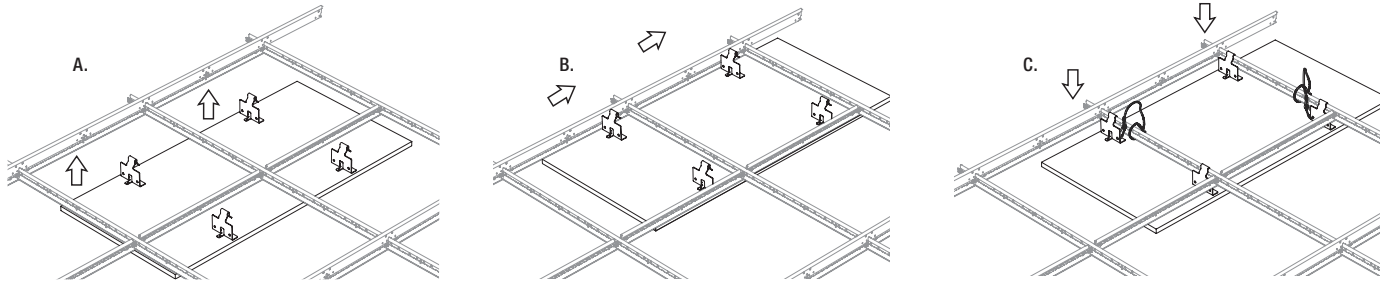
Panel Size	Number of Hooks Needed	Number of Screws Needed*
2' x 4'	4	12
2' x 6'	6	18
2' x 8'	8	24

*3 screws per hook

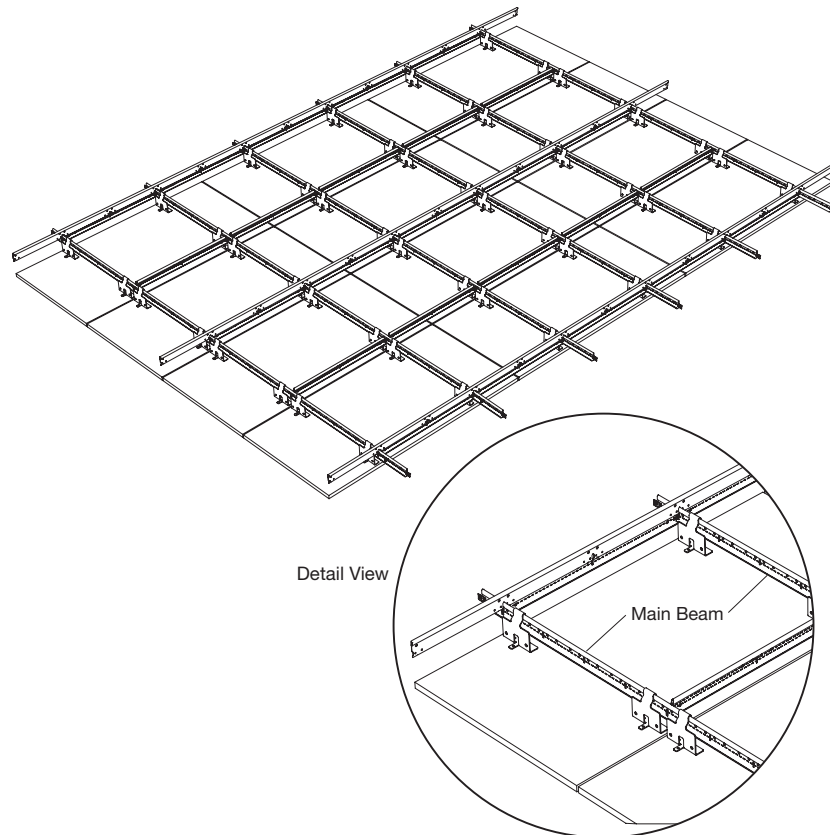
Step 3: Install Hooks on Panels



Step 4: Install Panels



HOW TO ASSEMBLE BASIC SYSTEMS



For a basic 2' x 4' panel assembly (pictured at left), you will need to order:

Item	Pieces
5983W1 – 2' x 4' Unperforated Panel	12
5986 – T-Bar Hooks	48 (4 per Panel)
HD Main Beams	6
2' Cross Tees	25
SH12 Support Hanger	3

For a basic 2' x 6' panel assembly, you will need to order:

Item	Pieces
5984W1 – 2' x 6' Unperforated Panel	8
5986 – T-Bar Hooks	48 (6 per Panel)
HD Main Beams	6
2' Cross Tees	25
SH12 Support Hanger	3

For a basic 2' x 8' panel assembly, you will need to order:

Item	Pieces
5985W1 – 2' x 8' Unperforated Panel	8
5986 – T-Bar Hooks	64 (8 per Panel)
HD Main Beams	8
2' Cross Tees	35
SH12 Support Hanger	6

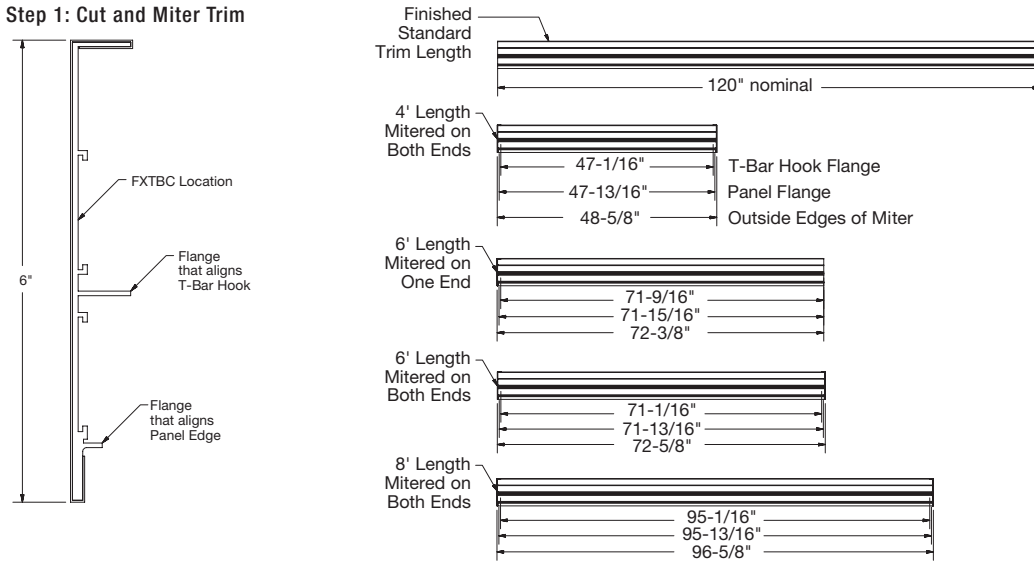
WOODWORKS®

Concealed Suspension

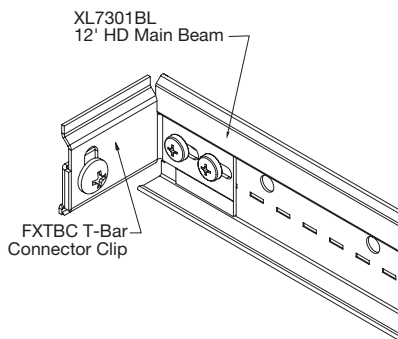
Natural Variations™, Constants™, and Bamboo

HOW TO INSTALL TRIM

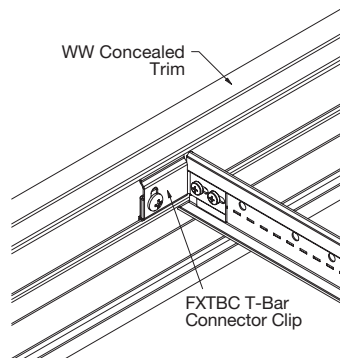
Step 1: Cut and Miter Trim



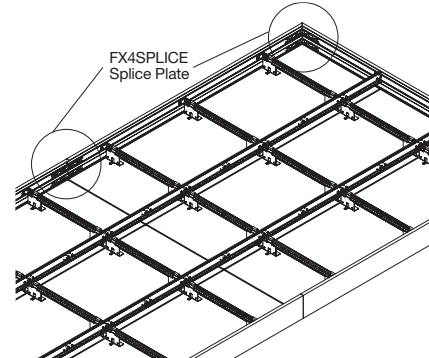
Step 2: Attach Clips to Ends of Main Beams and Cross Tees



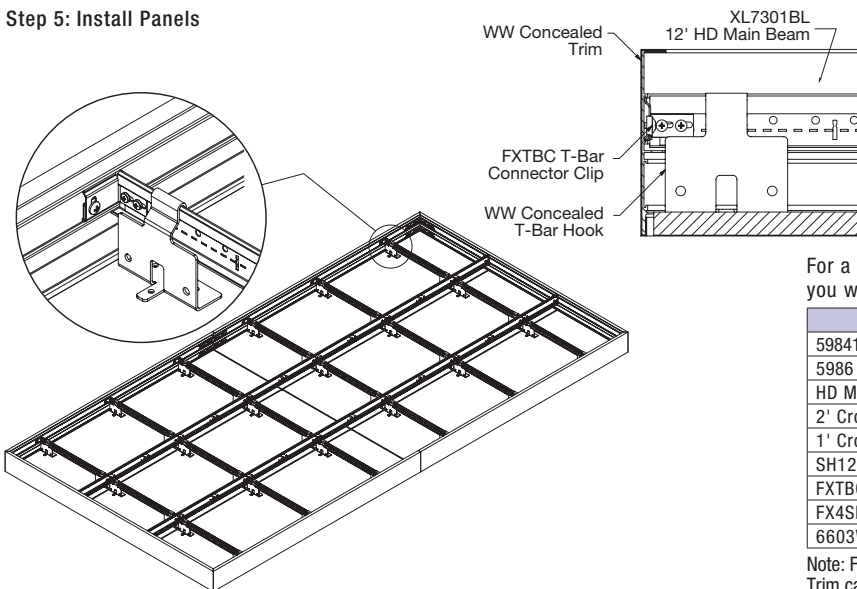
Step 3: Attach Trim to Clips



Step 4: Install Splice Plates



Step 5: Install Panels



For a basic cloud assembly with 2' x 6' panels, you will need to order:

Item	Pieces
59841W1 - 2' x 6' Unperforated Panel	6
5986 - T-Bar Hooks	36
HD Main Beams	6
2' Cross Tees	10
1' Cross Tees	4
SH12 Support Hanger	2
FXTBC T-Bar Connector Clips	16
FX4SPLICE Splice Plates	12
6603W1 Trim	6

Note: FXTBC Clips and FX4SPLICE Plates are included in Trim carton.



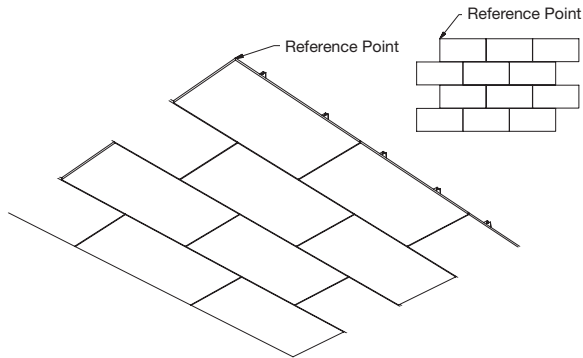
WOODWORKS®

Concealed Suspension

Natural Variations™, Constants™, and Bamboo

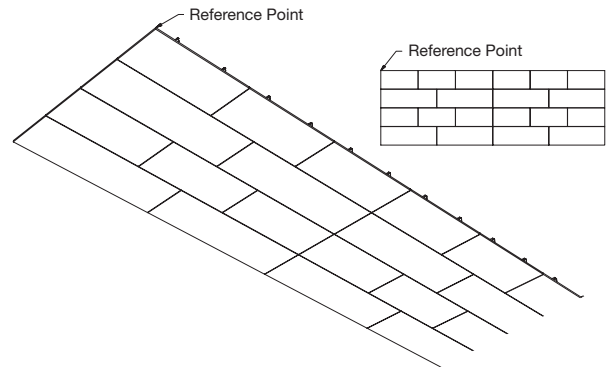
WAYS YOU CAN INSTALL PANELS

Single Panel Staggered Pattern Options

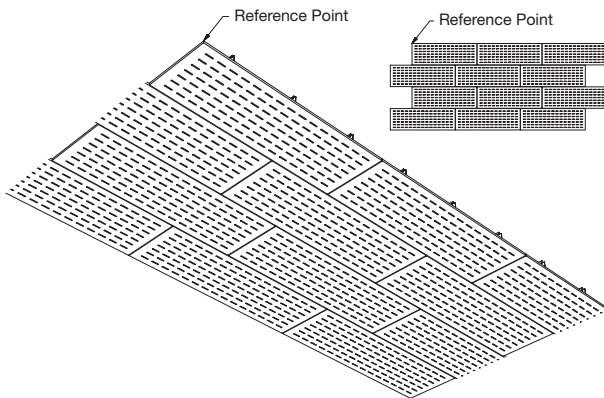


2' x 4' Unperforated Panels - Staggered Pattern Assembly

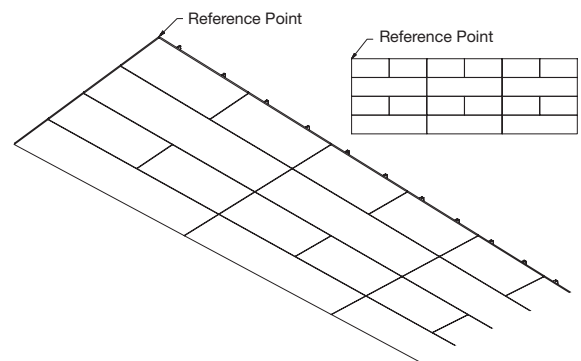
Multi-panel Staggered Pattern Options



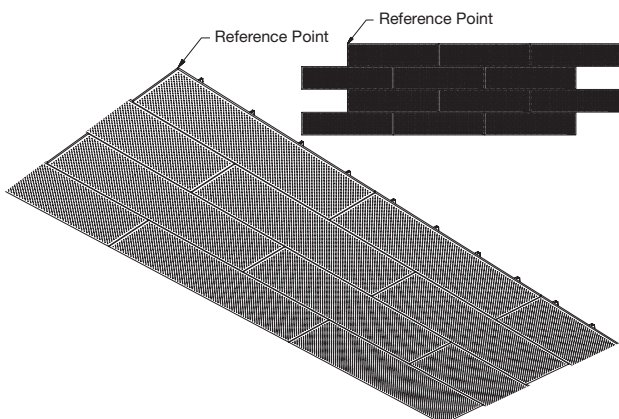
2' x 4' and 2' x 6' Unperforated Panels - Staggered Pattern Assembly



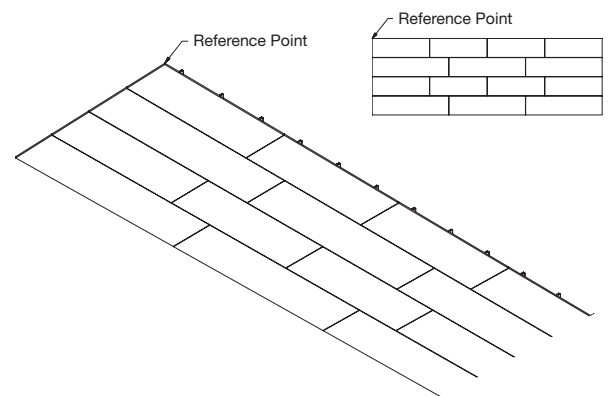
2' x 6' Panels with W6 Perforation - Staggered Pattern Assembly



2' x 4' and 2' x 8' Unperforated Panels - Staggered Pattern Assembly



2' x 8' Panels with W3 Perforation - Staggered Pattern Assembly



2' x 6' and 2' x 8' Unperforated Panels - Staggered Pattern Assembly

Note: For all assemblies above, regardless of panel sizes used, the grid will always be installed in standard 2' x 2' modules with main beams 2' on center.

WOODWORKS®

Concealed Suspension

Natural Variations™, Constants™, and Bamboo

92%

RECYCLED
CONTENT

EPD

AVAILABLE

LEED®

acoustics

energy

certified
wood

indoor air
quality

renewable
materials

recycled
content

waste
might

local
materials

Calculate LEED contribution at armstrong.com/greengenie

*LOCATION DEPENDENT

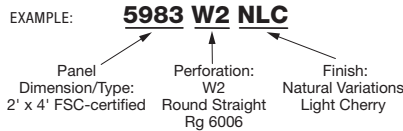
VISUAL SELECTION

PERFORMANCE

ACOUSTICAL INFORMATION

Edge Profile	Item Number*	Dimensions (Inches) Nominal W x L x H	Perforations	Fire Rating	Primary (Embodied) Energy
FSC®-certified WOODWORKS Concealed					
	5983 _____	24 x 48 x 3/4"		W1, W2, W3, W4, W5, W6	Class A
	5984 _____	24 x 72 x 3/4"		W1, W2, W3, W4, W5, W6	Class A
	5985 _____	24 x 96 x 3/4"		W1, W2, W3, W4, W5, W6	Class A

* When specifying or ordering, include the appropriate 2-digit perforation and 3-letter color suffixes. For veneers, sizes, and perforation patterns available as special order, call 1 877 ARMSTRONG and select options 1-1-4. To view more perforation information and build swatches in real time, visit armstrong.com/swatchit.



Dots represent high level of performance.

Perforation	NRC**
W1	N/A
W2	0.40
W3	0.40
W4	0.65
W5	0.40
W6	0.40

** Maximum NRC achieved with acoustical infill (item 8200100 or 5479). When infill is used, CAC is 28.

ACCESSORIES

Item Number	Description	Dimensions Nominal (Inches)	Color	Pieces/Carton
6603W1 _ _ *	WoodWorks Concealed Trim**	6 x 120"	Standard Veneers (see below)	6
FXTBC	T-Bar Connector Clip	N/A	N/A	10
FX4SPICE	Splice Plate with Setscrews	N/A	N/A	10
8200100	Fiberglass Infill Panel	24 x 24 x 1"	Black	12
5479	BioAcoustic™ Infill Panel	24 x 24 x 5/8"	Beige	12
5823	BioAcoustic Infill Panel	24 x 24 x 5/8"	Black (Matte)	12
6408 _ _ *	Edge Banding	300 x 3/4"	Standard Veneers (see below)	1

* When specifying or ordering, include the 3-letter color suffix that coordinates with your WoodWorks ceiling (e.g., 6408 N M P)
 ** Trim cartons include FXTBC Clips and FX4SPICE Plates.

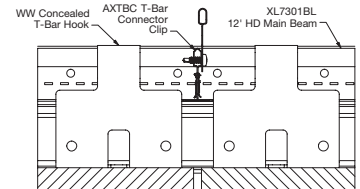
SUSPENSION SYSTEMS

When ordering suspension materials, please note that this product requires Prelude Heavy-duty (HD) Main Beams and 2' Cross Tees that are full height (1-11/16"). Both suspension components should be specified in Tech Black (BL).

15/16" Standard: Prelude® BL (Tech Black)

Item Number	Description	Dimensions (Inches)	Pieces/Carton
5986	T-Bar Hook†	Nominal 4 x 2 x 3"	50
7123	Wood Screws	5/8"	300
6091	Safety Cable	24 x 3/32"	50
SH12	Support Hanger	144 x 2"	12

† For 24 x 48" panel, install 4 hooks; for 24 x 72" panel, install 6 hooks; for 24 x 96" panel, install 8 hooks. NOTE: 3 screws per hook.
 NOTE: Refer to installation instructions at armstrong.com/installation for a better understanding of suspension requirements.



Installation Detail - WoodWorks Concealed Ceiling System

COLORS AND PERFORATIONS

NV Beech (NBE)	NV Light Cherry (NLC)	Constants Maple (CMA)	Constants Walnut (CWA)	Bamboo Native (BAN)	W1 (Unperforated)	W3 (Rd 6006)	W5 (Lg 9512)
NV Maple (NMP)	NV Dark Cherry (NDC)	Constants Cherry (CCY)	Bamboo Patina (BAP)		W2 (Rg 6006)	W4 (Rg 6011)	W6 (Lg 9508)

PHYSICAL DATA

Material

FSC-certified fire retardant particle board with face-cut veneers (SW-COC-003601). For more information about FSC-certified products or to view our FSC certification letter, visit armstrong.com/woodworksfscc

6603 - Face-cut veneer or black paint on aluminum laminate substrate

Surface Finish

Clear or tinted semigloss coating

Fire Performance

ASTM E84 surface burning characteristics, HPVA Certified with audit program per ASTM E84. Flame Spread Index 25 or less. Smoke Developed Index 50 or less.

CAN/ULC S102 surface burning characteristics. Flame Spread Rating 25 or less. Smoke Developed Classification 50 or less.

ASTM E1264 Classification

Composite – Fire Class A

Primary (Embodied) Energy

See all LCA information on our EPD's.

Application Considerations

Variation among panels may occur due to the natural characteristics of the wood and grain.

Use of large wood panels may result in deflection up to 1/8" and alignment inconsistency due to size and ambient conditions.

It is very important that WoodWorks panels are climatized prior to installation. Relative humidity between 25% and 55%, and temperatures between 50°F and 86°F must be maintained throughout the life of the product.

Design Considerations

For additional configuration ideas, refer to the WoodWorks Concealed Technical Guide, BPCS-4274, or visit armstrong.com/woodworks

Do not mix different panel sizes with slotted perforations. Perforation borders will not align. The use of Armstrong Prelude suspension system is strongly recommended.

Cloud installations less than 6' wide are not recommended.

Specification Consideration

Attention: For FSC-certified wood products to maintain their CoC certification, products must be sold to a CoC-certified distributor or directly to the installing contractor. Failure to do so breaks the CoC.

Seismic Restraint

These systems have been engineered, tested, and meet the requirements for applications in Seismic Design Categories D, E, and F

Warranty

Warranty details at armstrong.com/warranty

Weight/Square Feet

5983, 5984, 5985 - 2.75 lbs/SF; bulk packaged per order. Suspension, hardware, and accessories ordered separately.

