



OUT-SWING DOOR

DESIGN DATA

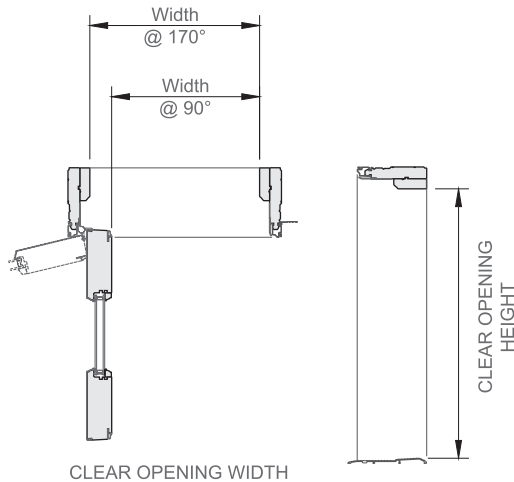
Commercial Aluminum-Clad Wood and Wood Exterior



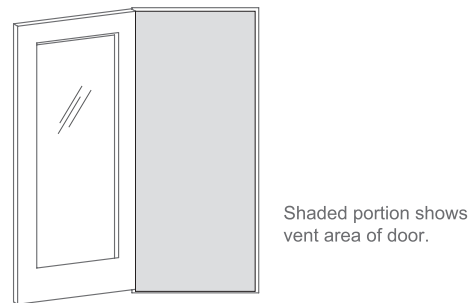
COMMERCIAL ALUMINUM ENDURACLAD® EXTERIOR ALUMINUM CLADDING AND WOOD EXTERIOR

	Clad and Wood Units	Clear Opening (Inches)			Visible Glass Ft²		Standard Glass Thickness (mm) Tempered
		Width ₁		Height	Without Rail	With Rail	
		Open 170°	Open 90°				
7' 2" DOORS	3886 F	–	–	–	10.3	9.3	3
	3886 L/R	34	32-5/16	83-3/4	10.3	9.3	3
	7486 AA	70 / 34-15/16	65-7/8 / 32-7/8	83-3/4	20.6	18.7	3
8' 0" DOORS	3896 F	–	–	–	11.8	10.9	3
	3896 L/R	34	32-5/16	93-3/4	11.8	10.9	3
	7496 AA	70 / 34-15/16	65-7/8 / 32-7/8	93-3/4	23.7	21.8	3
SIDELIGHTS	2186 S/L	–	–	–	6.1	5.5	3
	2196 S/L	–	–	–	7.0	6.5	3
	2786 S/L	–	–	–	8.8	7.9	3
	2796 S/L	–	–	–	10.1	9.2	3
	3386 S/L	–	–	–	11.4	10.3	3
	3396 S/L	–	–	–	13.1	12.0	3

Clear Opening Schematic



Vent Area Schematic



(-) = Not applicable

(1) All dimensions are approximate to the nearest 1/16". The second value, where shown, provides the clear opening for the active panel only. All doors are glazed with 3mm tempered glass.

To convert areas to square meters (m²), multiply square feet by 0.0929.



OUT-SWING DOOR

HARDWARE PARAMETERS AND RECOMMENDATIONS

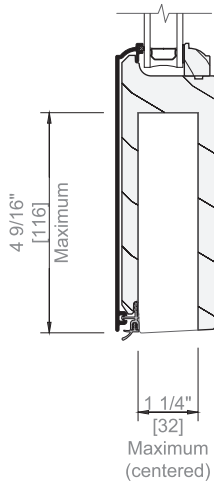
Commercial Aluminum-Clad Wood and Wood Exterior



Pella Architect Series Commercial Out-Swing Doors are not supplied with locking hardware, closers, panic hardware, push plates or kick plates. Use the following guidelines when selecting these hardware items from your hardware supplier.

- Mortise Locks:** Maximum mortise rout dimensions are shown below for commercial doors with standard stile dimensions. Maximum height of the mortise rout is 10 inches. Routs should be sealed before the locks are installed for added moisture protection.
- Cylinder Locks:** Maximum diameter of cylinder lock bore is 2-1/8". Minimum backset is 2-3/8"; maximum backset is 2-3/4".
- Door Closers:** When door closers are being used, Pella recommends the use of surface applied door closers with mounting devices that anchor into the structural header of the rough opening. Devices that anchor to the door frame only are not approved for use on Pella doors. Concealed closers that are routed into the top of the door panel are not recommended.
- Exit Devices:** When exit devices are used, Pella recommends the use of surface mounted vertical rod hardware. Concealed vertical rod hardware is not recommended.
- Kick plates and push plates:** In commercial applications, Pella recommends the use of kick plates and push plates to protect the wood veneer.

Mortise Rout



Cylinder Lock Bore

