



IN-SWING DOOR

BRAND DIRECTORY



Brand Directory

Architect Series	W-ISD-1
Designer Series.....	W-ISD-1
Pella ProLine	W-ISD-1

General Information

Brand Summary	W-ISD-2
Product Selection Guide.....	W-ISD-3
Size and Performance Data	W-ISD-3
Glazing Performance.....	W-ISD-6
Sound Transmission Class and Outdoor-Indoor Transmission Class	W-ISD-14
Combination Assemblies.....	W-ISD-15
HurricaneShield® Impact-Resistant Glazing	W-ISD-16

Architect Series

Grille Types	
Grille Profiles.....	W-ISD-17
Grille Patterns.....	W-ISD-18
Size Tables	W-ISD-19
Additional Shapes	W-ISD-26
Design Data.....	W-ISD-27
Detailed Product Descriptions.....	W-ISD-32
Unit Sections	W-ISD-34

Designer Series

Grille Types	
Grille Profiles and Patterns	W-ISD-46
Size Tables	W-ISD-47
Design Data.....	W-ISD-53
Miscellaneous Formulas	W-ISD-57
Detailed Product Descriptions.....	W-ISD-58
Unit Sections	W-ISD-59

Pella ProLine

Grille Types	
Grille Profiles and Patterns	W-ISD-64
Size Tables	W-ISD-65
Miscellaneous Formulas	W-ISD-69
Design Data.....	W-ISD-69
Detailed Product Descriptions.....	W-ISD-71
Unit Sections	W-ISD-72

General Notes:

Specifications subject to change without notice. Go to www.PellaADM.com for most current technical data.

For complete CSI Format Specifications, browse online at www.PellaADM.com.

Abbreviations:

P = Pending. Data not available at time of publication. Go to www.PellaADM.com for most current technical data.

HGP = Hinged Glass Panel

HA = High Altitude Glass.



IN-SWING DOOR

BRAND SUMMARY

In-Swing Door



In-Swing French Doors

are traditional in every detail—with all the Pella innovations you demand. Pella's EnduraGuard protection formula, together with our immersion-treatment method, provides strong protection on every exterior wood surface of your windows and patio doors. This innovation provides advanced protection against the effects of moisture, decay, stains from mold and mildew - as well as termite damage. The exterior of the wood windows are protected by Pella's low-maintenance EnduraClad®, or EnduraClad Plus exterior aluminum cladding. We maintain our high standard of energy efficiency with weatherstripping on a common plane. The corrosion-resistant hardware with three-point lock system has a center deadbolt plus shoot bolts that engage at the head and sill simultaneously.



ARCHITECT SERIES®

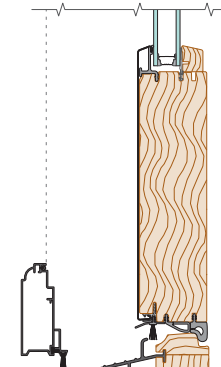
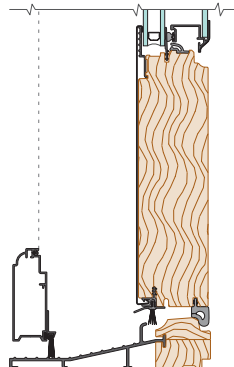
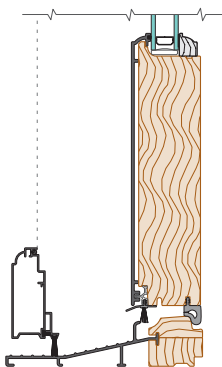
- A wide range of Glazing options
- ADA compliant sizes and sill options
- Divided light options available in Integral Light Technology® grilles or wood removable grilles in standard and custom patterns
- EnduraClad exterior aluminum cladding in standard and feature colors plus nearly unlimited custom colors.
- Pella's exclusive PerformaSeal™ design provides superior weather resistance

DESIGNER SERIES®

- ADA compliant sizes and sill options
- Snap-in between-glass shades, and blinds as well as removable between-glass grilles.
- EnduraClad® exterior aluminum cladding in standard and feature colors plus nearly unlimited custom colors
- Pella's exclusive PerformaSeal™ design provides superior weather resistance

PELLA® PROLINE 450

- Three Point Locking
- EnduraClad exterior aluminum cladding in standard and feature colors
- Permanent grilles-between-the-glass, removable roomside grilles or Simulated-Divided Lite grilles with optional spacer.
- Prefinished paint, stain or factory primed interiors
- Pella's exclusive PerformaSeal™ design provides superior weather resistance





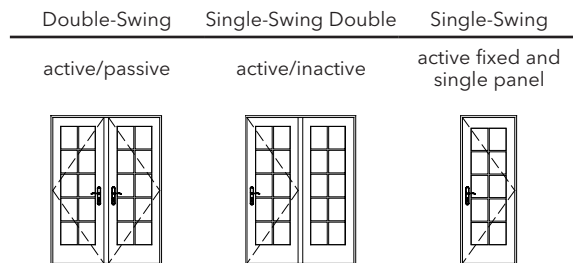
IN-SWING DOOR

PRODUCT SELECTION GUIDE

Size and Performance Data



	ARCHITECT SERIES		DESIGNER SERIES	PELLA PROLINE
	Clad	Wood	Clad	Clad
SIZES				
Standard Door Sizes	●	●	●	●
Standard Sidelight Sizes	●	●	●	–
Standard Transom Sizes – Fixed Frame Direct Set	●	●	●	●
Fixed Casement	●	●	–	–
Wide Stile Casement	●	●	–	–
Special Sizes	●	●	●	–
Custom Sizes and Shapes	●	●	–	–
Standard Single-Swing Single Door Widths				
2' 2"	●	●	●	–
2' 6"	●	●	●	●
2' 10"	●	●	●	●
3'	●	●	●	●
3' 2"	●	●	●	●
Standard Single-Swing Double Door Widths				
5'	●	–	●	●
5' 7"	●	–	●	●
6'	●	–	●	●
6' 3"	●	–	●	●
Standard Double-Swing Door Widths				
4' 2"	●	●	●	–
5'	●	●	●	●
5' 7"	●	●	●	●
6'	●	●	●	●
6' 3"	●	●	●	●
Standard Door Heights				
6' 8"	●	●	●	●
6' 9"	●	●	●	–
6' 10"	●	●	●	●
7' 2"	●	●	●	–
8'	●	●	●	●
OTHER PERFORMANCE CRITERIA				
Forced Entry Resistance Level (Minimum Security Grade) ¹	40	40	40	40



(–) = Not Available

(1) The higher the level, the greater the product's ability to resist forced entry. Valid only if Pella supplied locking system is used.



IN-SWING DOOR

PRODUCT SELECTION GUIDE

Size and Performance Data



		ARCHITECT SERIES		DESIGNER SERIES	PELLA PROLINE 450
		Clad	Wood	Clad	Clad
PERFORMANCE DATA 1					
DOORS 8' TALL AND UNDER	Standard Sill - Non-Impact Glazing				
	Meets or Exceeds AAMA/WDMA Ratings	LC55 Hallmark Certified	LC55 Hallmark Certified	LC55 Hallmark Certified	LC50 Hallmark Certified
	Air Infiltration (cfm/ft ² of frame @ 1.57 psf wind pressure)	0.10	0.10	0.10	0.15
	Water Resistance	8.36 psf	8.36 psf	8.36 psf	7.5 psf
	Design Pressure	55 psf	55 psf	55 psf	50 psf
	Low Profile Sill				
	Water Resistance	0 psf	0 psf	0 psf	–
	HurricaneShield® Impact-Resistant Glazing				
	Meets or Exceeds AAMA/WDMA Ratings	LC55	LC55	–	–
	Air Infiltration (cfm/ft ² of frame @ 1.57 psf wind pressure)	0.10	0.10	–	–
	Water Resistance	8.36 psf	8.36 psf	–	–
	Design Pressure	55 psf	55 psf	–	–
DOORS OVER 8' TALL UP TO 10'	Standard Sill - Non-Impact Glazing				
	Meets or Exceeds AAMA/WDMA Ratings	LC40 Hallmark Certified	LC40 Hallmark Certified	–	–
	Air Infiltration (cfm/ft ² of frame @ 1.57 psf wind pressure)	0.10	0.10	–	–
	Water Resistance	6.0 psf	6.0 psf	–	–
	Design Pressure	40 psf	40 psf	–	–
	Low Profile Sill				
	Water Resistance	0 psf	0 psf	–	–
	HurricaneShield® Impact-Resistant Glazing				
	Meets or Exceeds AAMA/WDMA Ratings	LC40	LC40	–	–
	Air Infiltration (cfm/ft ² of frame @ 1.57 psf wind pressure)	0.30	0.30	–	–
	Water Resistance	6.0 psf	6.0 psf	–	–
	Design Pressure	40 psf	40 psf	–	–
OTHER PERFORMANCE CRITERIA					
Forced Entry Resistance Level (Minimum Security Grade) ²	40	40	40	40	

(–) = Not Available

(1) Maximum performance for single unit when glazed with the appropriate glass thickness. Doors supplied without latching hardware are not AAMA/WDMA performance certified. See Design Data pages in this section for specific product performance class and grade values.

(2) The higher the level, the greater the product's ability to resist forced entry. Valid only if Pella supplied locking system is used.



IN-SWING DOOR

PRODUCT SELECTION GUIDE

Features and Options



	ARCHITECT SERIES		DESIGNER SERIES	PELLA PROLINE		ARCHITECT SERIES		DESIGNER SERIES	PELLA PROLINE	
	Clad	Wood				Clad	Wood			
GLAZING					HARDWARE					
Glazing Type					PVD High Performance Finish, Bright Brass or Satin Nickel					
Dual-Pane Insulating Glass	S	S	-	S	O	O	O	O	O	
Triple-Pane Insulating Glass	O	O	-	-	O	O	O	O	O	
Designer Series triple-pane Glazing	-	-	S	-	O	O	O	O	O	
Insulated Glass Options/Low-E Types					Chrome					
Advanced Low-E	S	S	S	S	O	O	O	O	O	
SunDefense™ Low-E	O	O	O	O	O	O	O	O	O	
AdvancedComfort Low-E	O	O	O	O	LOCKING SYSTEM					
NaturalSun Low-E	O	O	-	O	Multi-Point					
Insulating Glass with Clear Hinged Glass Panel	-	-	O	-	Key lock					
Clear (no Low-E coating)	O	O	O	-	GRILLES					
Additional Glass Options					Integral Light Technology® Grilles					
Tempered Glass	S	S	S	S	Traditional, Prairie, Top Row, Cross, New England, Victorian					
Obscure Glass 2	O	O	O	O	O	O	-	-	-	
Tinted Glass (Bronze, Gray and Green)	O	O	O	-	Removable pine wood interior grilles					
Non-Impact Laminated Dual-Pane Insulating Glass	-	-	O	-	Traditional					
Hurricanesield® Impact Resistant Products with Laminated Glass	O	O	-	-	O	O	-	O	-	
Gas Fill/High Altitude					Prairie, Top Row, Cross, New England, Victorian					
Argon	S	S	S	S	O	O	-	-	-	
Krypton 6	O	O	-	-	Removable between-glass grilles					
High altitude	O	O	O	O	Traditional, Prairie, Cross, Top Row, New England, Custom					
EXTERIOR					Custom					
EnduraClad® exterior aluminum cladding					S	-	S	S	-	-
EnduraClad® Plus exterior aluminum cladding					O	-	O	-	O 5	
Factory primed wood					-	S	-	-	-	
Unfinished mahogany					-	O	-	-	-	
Cladding Colors					Grilles-Between-the-Glass					
White, Tan, Putty or Brown					S	-	S	S	O	-
23 Feature colors 1					O	-	O	O	-	
Custom colors 2					O	-	O	-	-	
Sill Finish 3					Simulated Divided Light 5 with Optional Spacer					
Brown EnduraClad					S	S	S	S	-	-
Mill finish					O	O	O	O	O	
Satin nickel anodized					O	O	O	-	O	
Bronze anodized					O	O	O	-	-	
INTERIOR					WINDOW FASHIONS 4					
Unfinished					S	S	S	S	Cellular fabric shades 2	
Factory primed					O	O	O	O	Between-glass bottom-up	
Factory prefinished paint 2					O	O	O	O	Between-glass top-down	
Factory prefinished stain 2					O	O	O	O	Slimshade® blinds 2	
WOOD TYPES					Between-glass bottom-up					
Pine					S	S	S	S	Between-glass tilt-only	
Mahogany					O	O	-	-	Between-glass tilt-only	
Alder, douglas fir					O	-	-	-	SCREENS	
					InView™ screens					

S = Standard; O = Optional; (-) = Not Available

(1) See the overview section for feature color options. Poplar White, Hartford Green, Black and Brick Red are the only feature color options available for ProLine.

(2) Contact your local Pella sales representative for current designs and color options.

(3) ADA sill finishes available in mill or bronze anodized only.

(4) For detailed information see Between-the-Glass options in the Clad/Wood Overview section. Cellular fabric shades, Slimshade blinds and decorative panels are not available in transom units.

(5) Custom not available.

(6) Only available with Triple-Pane Glazing, not available with high altitude Glazing.



IN-SWING DOOR

GLAZING PERFORMANCE - TOTAL UNIT

Aluminum-Clad Wood



Glazing Thickness	Type of Glazing	NFRC Certified Product #	Glass (mm)		Gap Fill	Performance Values ¹				Shaded Areas Meet ENERGY STAR® Performance Criteria in Zones Shown									
			Ext.	Int.		U-Factor	SHGC	VLT %	CR	U. S.				Canada ²					
										Zone				ER	Zone				
VENT											N	NC	SC	S			1	2	3
13/16"	Clear IG	PEL-N-218-00001-00001	3	3	air	0.40	0.44	46	48										
	with grilles-between-the-glass	PEL-N-218-00002-00001				0.40	0.38	39	48										
	with integral grilles	PEL-N-218-00003-00001				0.41	0.38	39	49										
13/16"	Advanced Low-E IG	PEL-N-218-00067-00001	3	3	argon	0.28	0.21	39	62										
	with grilles-between-the-glass	PEL-N-218-00068-00001				0.28	0.18	33	62										
	with integral grilles	PEL-N-218-00069-00001				0.29	0.18	33	62										
13/16"	SunDefense™ Low-E IG	PEL-N-218-00013-00001	3	3	argon	0.28	0.16	36	62						13				
	with grilles-between-the-glass	PEL-N-218-00014-00001				0.28	0.14	31	62						12				
	with integral grilles	PEL-N-218-00015-00001				0.28	0.14	31	62										
13/16"	AdvancedComfort Low-E IG	PEL-N-218-00031-00001	3	3	argon	0.25	0.21	39	49						20				
	with grilles-between-the-glass	PEL-N-218-00032-00001				0.25	0.18	33	49						18				
	with integral grilles	PEL-N-218-00033-00001				0.26	0.18	33	49						17				
13/16"	NaturalSun Low-E IG	PEL-N-218-00049-00001	3	3	argon	0.29	0.39	44	61						25				
	with grilles-between-the-glass	PEL-N-218-00050-00001				0.29	0.34	38	61										
	with integral grilles	PEL-N-218-00051-00001				0.30	0.34	38	61										
TINTED GLAZING																			
13/16"	Bronze Advanced Low-E IG	PEL-N-218-00085-00001	5	3	argon	0.28	0.19	25	60										
	with grilles-between-the-glass	PEL-N-218-00086-00001				0.28	0.16	22	60										
	with integral grilles	PEL-N-218-00087-00001				0.29	0.16	22	60										
13/16"	Gray Advanced Low-E IG	PEL-N-218-00097-00001	5	3	argon	0.28	0.17	22	60										
	with grilles-between-the-glass	PEL-N-218-00098-00001				0.28	0.15	19	60										
	with integral grilles	PEL-N-218-00099-00001				0.29	0.15	19	60										
13/16"	Green Advanced Low-E IG	PEL-N-218-00109-00001	5	3	argon	0.28	0.18	31	60										
	with grilles-between-the-glass	PEL-N-218-00110-00001				0.28	0.16	26	60										
	with integral grilles	PEL-N-218-00111-00001				0.29	0.16	26	60										
HIGH ALTITUDE GLAZING																			
13/16"	Advanced Low-E IG	PEL-N-218-00064-00001	3	3	air	0.31	0.21	39	58										
	with grilles-between-the-glass	PEL-N-218-00065-00001				0.31	0.19	33	58										
	with integral grilles	PEL-N-218-00066-00001				0.31	0.19	33	58										
13/16"	SunDefense Low-E IG	PEL-N-218-00010-00001	3	3	air	0.30	0.16	36	59										
	with grilles-between-the-glass	PEL-N-218-00011-00001				0.30	0.14	31	59										
	with integral grilles	PEL-N-218-00012-00001				0.31	0.14	31	59										
13/16"	AdvancedComfort Low-E IG	PEL-N-218-00028-00001	3	3	air	0.27	0.21	38	45						17				
	with grilles-between-the-glass	PEL-N-218-00029-00001				0.27	0.18	33	45						15				
	with integral grilles	PEL-N-218-00030-00001				0.27	0.18	33	45						15				
13/16"	NaturalSun Low-E IG	PEL-N-218-00046-00001	3	3	air	0.31	0.39	44	58										
	with grilles-between-the-glass	PEL-N-218-00047-00001				0.31	0.34	38	58										
	with integral grilles	PEL-N-218-00048-00001				0.32	0.34	38	58										

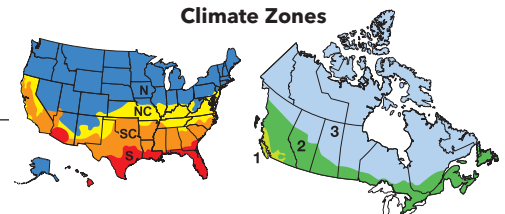
R-Value = 1/U-Factor
 SHGC = Solar Heat Gain Coefficient
 VLT % = Visible Light Transmission
 CR = Condensation Resistance
 ER = Canadian Energy Rating

(1) Glazing performance values are calculated based on NFRC 100, NFRC 200 and NFRC 500. ENERGY STAR® values are updated to 2015 (Version 6) criteria.

(2) The values shown are based on Canada's updated ENERGY STAR® 2015 initiative.

U-Factor values shown are based on a standard sill and pine interior. For center-glass values, see the Product Performance section.

See the Product Performance section for more detailed information or visit www.energystar.gov for Energy Star guidelines.





IN-SWING DOOR

GLAZING PERFORMANCE - TOTAL UNIT

Aluminum-Clad Wood
Triple-Pane Glazing



Glazing Thickness	Type of Glazing	NFRC Certified Product #	Glass (mm)			Gap Fill	Performane Values ₁				Shaded Areas Meet ENERGY STAR® Performance Criteria in Zones Shown									
			Ext.	Mid.	Int.		U-Factor	SHGC	VLT %	CR	U. S.				Canada ₂					
											Zone				ER	Zone				
											N	NC	SC	S				1	2	3
VENT																				
1"	Advanced Low-E IG	PEL-N-212-01425-00001	3	3	3	argon	0.23	0.20	35	69					21					
	with grilles-between-the-glass	PEL-N-212-01426-00001					0.23	0.17	29	69					20					
	with integral grilles	PEL-N-212-01427-00001					0.24	0.17	29	69					18					
1"	Advanced Low-E IG	PEL-N-212-01429-00001	3	3	3	Krypton	0.21	0.19	35	69					23					
	with grilles-between-the-glass	PEL-N-212-01430-00001					0.21	0.17	29	69					22					
	with integral grilles	PEL-N-212-01431-00001					0.22	0.17	29	69					21					
1"	SunDefense™ Low-E IG	PEL-N-212-01437-00001	3	3	3	argon	0.23	0.15	32	69					19					
	with grilles-between-the-glass	PEL-N-212-01438-00001					0.23	0.13	27	69					17					
	with integral grilles	PEL-N-212-01439-00001					0.24	0.13	27	69					16					
1"	SunDefense™ Low-E IG	PEL-N-212-01441-00001	3	3	3	Krypton	0.20	0.15	31	69					22					
	with grilles-between-the-glass	PEL-N-212-01442-00001					0.21	0.13	27	69					20					
	with integral grilles	PEL-N-212-01443-00001					0.21	0.13	27	69					20					
1"	NaturalSun Low-E IG	PEL-N-212-01413-00001	3	3	3	argon	0.23	0.32	39	69					28					
	with grilles-between-the-glass	PEL-N-212-01414-00001					0.24	0.28	33	69					25					
	with integral grilles	PEL-N-212-01415-00001					0.25	0.28	33	69					24					
1"	NaturalSun Low-E IG	PEL-N-212-01417-00001	3	3	3	Krypton	0.21	0.32	39	69					31					
	with grilles-between-the-glass	PEL-N-212-01418-00001					0.21	0.28	33	69					29					
	with integral grilles	PEL-N-212-01419-00001					0.22	0.28	33	69					27					
HIGH ALTITUDE GLAZING																				
1"	Advanced Low-E IG	PEL-N-212-01421-00001	3	3	3	air	0.26	0.20	35	67					18					
	with grilles-between-the-glass	PEL-N-212-01422-00001					0.26	0.17	29	67					16					
	with integral grilles	PEL-N-212-01423-00001					0.27	0.17	29	67					15					
1"	SunDefense Low-E IG	PEL-N-212-01433-00001	3	3	3	air	0.26	0.15	32	67					15					
	with grilles-between-the-glass	PEL-N-212-01434-00001					0.26	0.13	27	67					14					
	with integral grilles	PEL-N-212-01435-00001					0.27	0.13	27	67					12					
1"	NaturalSun Low-E IG	PEL-N-212-01409-00001	3	3	3	air	0.26	0.32	39	66					25					
	with grilles-between-the-glass	PEL-N-212-01410-00001					0.26	0.28	33	66					22					
	with integral grilles	PEL-N-212-01411-00001					0.27	0.28	33	66					21					

R-Value = 1/U-Factor
 SHGC = Solar Heat Gain Coefficient
 VLT % = Visible Light Transmission
 CR = Condensation Resistance
 ER = Canadian Energy Rating

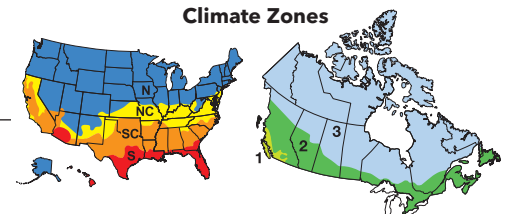
(1) Glazing performance values are calculated based on NFRC 100, NFRC 200 and NFRC 500. ENERGY STAR® values are updated to 2015 (Version 6) criteria.

(2) The values shown are based on Canada's updated ENERGY STAR® 2015 initiative.

U-Factor values shown are based on a standard sill and pine interior.

For center-glass values, see the Product Performance section.

See the Product Performance section for more detailed information or visit www.energystar.gov for Energy Star guidelines.





IN-SWING DOOR

GLAZING PERFORMANCE - TOTAL UNIT

Wood

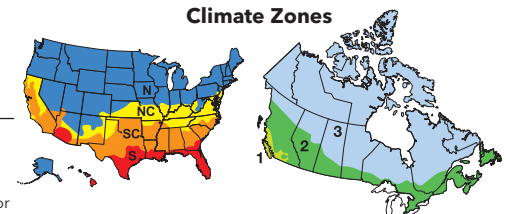


Glazing Thickness	Type of Glazing	NFRC Certified Product #	Glass (mm)		Gap Fill	Performane Values ₁				Shaded Areas Meet ENERGY STAR® Performance Criteria in Zones Shown									
			Ext.	Int.		U-Factor	SHGC	VLT %	CR	U. S.				Canada ₂					
										Zone				ER	Zone				
										N	NC	SC	S				1	2	3
VENT																			
13/16"	Clear IG	PEL-N-215-00001-00001	3	3	air	0.40	0.44	46	48										
	with grilles-between-the-glass	PEL-N-215-00002-00001				0.40	0.38	39	48										
	with integral grilles	PEL-N-215-00003-00001				0.40	0.38	39	49										
13/16"	Advanced Low-E IG	PEL-N-215-00067-00001	3	3	argon	0.28	0.21	39	62					16					
	with grilles-between-the-glass	PEL-N-215-00068-00001				0.28	0.18	33	62					14					
	with integral grilles	PEL-N-215-00069-00001				0.29	0.18	33	62										
13/16"	SunDefense™ Low-E IG	PEL-N-215-00013-00001	3	3	argon	0.28	0.16	36	63					13					
	with grilles-between-the-glass	PEL-N-215-00014-00001				0.28	0.14	31	63					12					
	with integral grilles	PEL-N-215-00015-00001				0.28	0.14	31	63										
13/16"	AdvancedComfort Low-E IG	PEL-N-215-00031-00001	3	3	argon	0.25	0.21	38	49					20					
	with grilles-between-the-glass	PEL-N-215-00032-00001				0.25	0.18	33	49					18					
	with integral grilles	PEL-N-215-00033-00001				0.26	0.18	33	49					17					
13/16"	NaturalSun Low-E IG	PEL-N-215-00049-00001	3	3	argon	0.29	0.39	44	62					25					
	with grilles-between-the-glass	PEL-N-215-00050-00001				0.29	0.34	38	62										
	with integral grilles	PEL-N-215-00051-00001				0.29	0.34	38	62										
TINTED GLAZING																			
13/16"	Bronze Advanced Low-E IG	PEL-N-215-00085-00001	5	3	argon	0.28	0.19	25	62					15					
	with grilles-between-the-glass	PEL-N-215-00086-00001				0.28	0.16	22	62					13					
	with integral grilles	PEL-N-215-00087-00001				0.29	0.16	22	62										
13/16"	Gray Advanced Low-E IG	PEL-N-215-00097-00001	5	3	argon	0.28	0.17	22	62					14					
	with grilles-between-the-glass	PEL-N-215-00098-00001				0.28	0.15	19	62					12					
	with integral grilles	PEL-N-215-00099-00001				0.29	0.15	19	62										
13/16"	Green Advanced Low-E IG	PEL-N-215-00109-00001	5	3	argon	0.28	0.18	31	62					14					
	with grilles-between-the-glass	PEL-N-215-00110-00001				0.28	0.16	26	62					13					
	with integral grilles	PEL-N-215-00111-00001				0.29	0.16	26	62										
HIGH ALTITUDE GLAZING																			
13/16"	Advanced Low-E IG	PEL-N-215-00064-00001	3	3	air	0.31	0.21	39	59										
	with grilles-between-the-glass	PEL-N-215-00065-00001				0.31	0.19	33	59										
	with integral grilles	PEL-N-215-00066-00001				0.31	0.19	33	59										
13/16"	SunDefense Low-E IG	PEL-N-215-00010-00001	3	3	air	0.30	0.16	36	58										
	with grilles-between-the-glass	PEL-N-215-00011-00001				0.30	0.14	31	58										
	with integral grilles	PEL-N-215-00012-00001				0.31	0.14	31	58										
13/16"	AdvancedComfort Low-E IG	PEL-N-215-00028-00001	3	3	air	0.27	0.21	38	46					17					
	with grilles-between-the-glass	PEL-N-215-00029-00001				0.27	0.18	33	46					15					
	with integral grilles	PEL-N-215-00030-00001				0.27	0.18	33	46					15					
13/16"	NaturalSun Low-E IG	PEL-N-215-00046-00001	3	3	air	0.31	0.39	44	58										
	with grilles-between-the-glass	PEL-N-215-00047-00001				0.31	0.34	38	58										
	with integral grilles	PEL-N-215-00048-00001				0.32	0.34	38	58										

R-Value = 1/U-Factor
 SHGC = Solar Heat Gain Coefficient
 VLT % = Visible Light Transmission
 CR = Condensation Resistance
 ER = Canadian Energy Rating

(1) Glazing performance values are calculated based on NFRC 100, NFRC 200 and NFRC 500. ENERGY STAR® values are updated to 2015 (Version 6) criteria.
 (2) The values shown are based on Canada's updated ENERGY STAR® 2015 initiative.

U-Factor values shown are based on a standard sill and pine interior. For center-glass values, see the Product Performance section. See the Product Performance section for more detailed information or visit www.energystar.gov for Energy Star guidelines.





IN-SWING DOOR

GLAZING PERFORMANCE - TOTAL UNIT

Wood

Triple-Pane Glazing



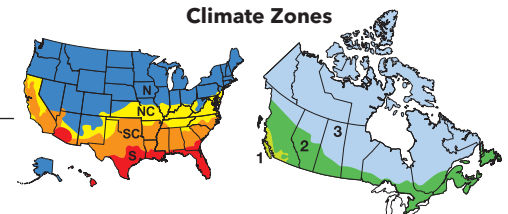
Glazing Thickness	Type of Glazing	NFRC Certified Product #	Glass (mm)			Gap Fill	Performane Values ₁				Shaded Areas Meet ENERGY STAR® Performance Criteria in Zones Shown									
			Ext.	Mid.	Int.		U-Factor	SHGC	VLT %	CR	U. S.				Canada ₂					
											Zone				ER	Zone				
VENT											N	NC	SC	S				1	2	3
1"	Advanced Low-E IG	PEL-N-219-01425-00001	3	3	3	argon	0.23	0.20	35	69					21					
	with grilles-between-the-glass	PEL-N-219-01426-00001					0.24	0.17	29	69					18					
	with integral grilles	PEL-N-219-01427-00001					0.24	0.17	29	69					18					
1"	Advanced Low-E IG	PEL-N-219-01429-00001	3	3	3	Krypton	0.21	0.20	35	69					24					
	with grilles-between-the-glass	PEL-N-219-01430-00001					0.21	0.17	29	69					22					
	with integral grilles	PEL-N-219-01431-00001					0.22	0.17	29	69					21					
1"	SunDefense™ Low-E IG	PEL-N-219-01437-00001	3	3	3	argon	0.23	0.15	32	69					19					
	with grilles-between-the-glass	PEL-N-219-01438-00001					0.23	0.13	27	69					17					
	with integral grilles	PEL-N-219-01439-00001					0.24	0.13	27	69					16					
1"	SunDefense™ Low-E IG	PEL-N-219-01441-00001	3	3	3	Krypton	0.21	0.15	32	69					21					
	with grilles-between-the-glass	PEL-N-219-01442-00001					0.21	0.13	27	69					20					
	with integral grilles	PEL-N-219-01443-00001					0.21	0.13	27	69					20					
1"	NaturalSun Low-E IG	PEL-N-219-01413-00001	3	3	3	argon	0.23	0.32	39	69					28					
	with grilles-between-the-glass	PEL-N-219-01414-00001					0.24	0.28	33	69					25					
	with integral grilles	PEL-N-219-01415-00001					0.25	0.28	33	69					24					
1"	NaturalSun Low-E IG	PEL-N-219-01417-00001	3	3	3	Krypton	0.21	0.32	39	69					31					
	with grilles-between-the-glass	PEL-N-219-01418-00001					0.21	0.28	33	69					29					
	with integral grilles	PEL-N-219-01419-00001					0.22	0.28	33	69					27					
HIGH ALTITUDE GLAZING																				
1"	Advanced Low-E IG	PEL-N-219-01421-00001	3	3	3	air	0.26	0.20	35	68					18					
	with grilles-between-the-glass	PEL-N-219-01422-00001					0.26	0.17	29	68					16					
	with integral grilles	PEL-N-219-01423-00001					0.27	0.17	29	68					15					
1"	SunDefense Low-E IG	PEL-N-219-01433-00001	3	3	3	air	0.26	0.15	32	68					15					
	with grilles-between-the-glass	PEL-N-219-01434-00001					0.26	0.13	27	68					14					
	with integral grilles	PEL-N-219-01435-00001					0.27	0.13	27	68					12					
1"	NaturalSun Low-E IG	PEL-N-219-01409-00001	3	3	3	air	0.26	0.32	39	65					25					
	with grilles-between-the-glass	PEL-N-219-01410-00001					0.26	0.28	33	65					22					
	with integral grilles	PEL-N-219-01411-00001					0.27	0.28	33	65					21					

R-Value = 1/U-Factor
 SHGC = Solar Heat Gain Coefficient
 VLT % = Visible Light Transmission
 CR = Condensation Resistance
 ER = Canadian Energy Rating

(1) Glazing performance values are calculated based on NFRC 100, NFRC 200 and NFRC 500. ENERGY STAR® values are updated to 2015 (Version 6) criteria.

(2) The values shown are based on Canada's updated ENERGY STAR® 2015 initiative.

U-Factor values shown are based on a standard sill and pine interior. For center-glass values, see the Product Performance section. See the Product Performance section for more detailed information or visit www.energystar.gov for Energy Star guidelines.





IN-SWING DOOR

GLAZING PERFORMANCE - TOTAL UNIT

Aluminum-Clad Wood

HurricaneShield® Impact-Resistant



Glazing Thickness	Type of Glazing	NFRC Certified Product #	Glass (mm)		Gap Fill	Performance Values ¹				Shaded Areas Meet ENERGY STAR® Performance Criteria in Zones Shown								
			Ext.	Int.		U-Factor	SHGC	VLT %	CR	U. S.			Canada ²					
										Zone	ER	Zone	1	2	3			
LAMINATED IMPACT-RESISTANT											N	NC	SC	S				
9/16"	Single-laminated clear PVB	PEL-N-218-00142-00001	14	NA	NA	0.65	0.41	47	17									
	with integral grilles	PEL-N-218-00143-00001				0.65	0.35	40	17									
7/8"	Clear IG PVB	PEL-N-181-00001-00001	8	5	air	0.42	0.38	45	43									
	with grilles-between-the-glass	PEL-N-181-00002-00002				0.42	0.33	38	43									
	with integral grilles	PEL-N-181-00003-00001				0.42	0.33	38	43									
7/8"	Advanced Low-E IG PVB	PEL-N-218-00133-00001	8	5	argon	0.29	0.21	38	59									
	with grilles-between-the-glass	PEL-N-218-00134-00001				0.31	0.18	33	59									
	with integral grilles	PEL-N-218-00135-00001				0.31	0.18	33	59									
7/8"	SunDefense™ Low-E IG	PEL-N-218-00121-00001	8	5	argon	0.29	0.16	35	59									
	with grilles-between-the-glass	PEL-N-218-00122-00001				0.31	0.14	30	59									
	with integral grilles	PEL-N-218-00123-00001				0.31	0.14	30	59									
TINTED GLAZING - LAMINATED IMPACT-RESISTANT																		
9/16"	Bronze Single PVB	PEL-N-218-00144-00001	14	NA	NA	0.65	0.33	29	17									
	with integral grilles	PEL-N-218-00145-00001				0.65	0.29	25	17									
7/8"	Bronze Advanced IG PVB	PEL-N-181-00047-00001	8	5	argon	0.30	0.20	25	57									
	with integral grilles	PEL-N-181-00049-00001				0.31	0.17	21	57									
9/16"	Gray Single PVB	PEL-N-218-00146-00001	14	NA	NA	0.64	0.32	23	17									
	with integral grilles	PEL-N-218-00147-00001				0.64	0.28	19	17									
7/8"	Gray Advanced IG PVB	PEL-N-181-00053-00001	8	5	argon	0.30	0.20	21	57									
	with integral grilles	PEL-N-181-00055-00001				0.31	0.17	18	57									
9/16"	Green Single PVB	PEL-N-218-00148-00001	14	NA	NA	0.64	0.37	40	17									
	with integral grilles	PEL-N-218-00149-00001				0.64	0.32	32	17									
7/8"	Green Advanced IG PVB	PEL-N-181-00059-00001	8	5	argon	0.30	0.20	30	57									
	with integral grilles	PEL-N-181-00061-00001				0.31	0.17	26	57									

R-Value = 1/U-Factor
 SHGC = Solar Heat Gain Coefficient
 VLT % = Visible Light Transmission
 CR = Condensation Resistance
 ER = Canadian Energy Rating

(1) Glazing performance values are calculated based on NFRC 100, NFRC 200 and NFRC 500. ENERGY STAR® values are updated to 2015 (Version 6) criteria.

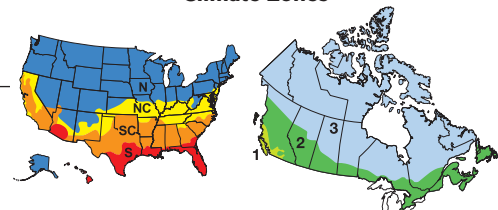
(2) The values shown are based on Canada's updated ENERGY STAR® 2015 initiative.

U-Factor values shown are based on a standard sill and pine interior.

For center-glass values, see the Product Performance section.

See the Product Performance section for more detailed information or visit www.energystar.gov for Energy Star guidelines.

Climate Zones





IN-SWING DOOR

GLAZING PERFORMANCE - TOTAL UNIT

Wood

HurricaneShield® Impact-Resistant



Glazing Thickness	Type of Glazing	NFRC Certified Product #	Glass (mm)		Gap Fill	Performance Values ¹				Shaded Areas Meet ENERGY STAR® Performance Criteria in Zones Shown								
			Ext.	Int.		U-Factor	SHGC	VLT %	CR	U. S.			Canada ²					
										Zone	ER	Zone	1	2	3			
LAMINATED IMPACT-RESISTANT											N	NC	SC	S				
9/16"	Single clear PVB	PEL-N-174-00007-00001	14	NA	NA	0.64	0.40	47	17									
	with integral grilles	PEL-N-174-00008-00001				0.64	0.35	40	17									
7/8"	Clear IG PVB	PEL-N-174-00001-00001	8	5	air	0.41	0.38	45	44									
	with grilles-between-the-glass	PEL-N-174-00002-00002				0.42	0.33	38	44									
	with integral grilles	PEL-N-174-00003-00001				0.42	0.33	38	44									
7/8"	Advanced Low-E IG PVB	PEL-N-215-00133-00001	8	5	argon	0.29	0.21	38	59	Blue	Yellow	Orange	Red					
	with grilles-between-the-glass	PEL-N-215-00134-00001				0.31	0.18	32	59									
	with integral grilles	PEL-N-215-00135-00001				0.31	0.18	32	59									
7/8"	SunDefense™ Low-E IG	PEL-N-215-00121-00001	8	5	argon	0.29	0.17	35	59	Blue	Yellow	Orange	Red					
	with grilles-between-the-glass	PEL-N-215-00122-00001				0.31	0.14	30	59									
	with integral grilles	PEL-N-215-00123-00001				0.30	0.14	30	59									
TINTED GLAZING - LAMINATED IMPACT-RESISTANT																		
9/16"	Bronze Single PVB	PEL-N-174-00015-00001	14	NA	NA	0.64	0.34	29	17									
	with integral grilles	PEL-N-174-00016-00001				0.64	0.29	25	17									
7/8"	Bronze Advanced IG PVB	PEL-N-174-00047-00001	8	5	argon	0.30	0.20	25	57	Blue	Yellow	Orange	Red					
	with integral grilles	PEL-N-174-00049-00001				0.31	0.17	21	57									
9/16"	Gray Single PVB	PEL-N-174-00023-00001	14	NA	NA	0.64	0.32	23	17									
	with integral grilles	PEL-N-174-00024-00001				0.64	0.28	19	17									
7/8"	Gray Advanced IG PVB	PEL-N-174-00053-00001	8	5	argon	0.30	0.20	21	57	Blue	Yellow	Orange	Red					
	with integral grilles	PEL-N-174-00055-00001				0.31	0.17	18	57									
9/16"	Green Single PVB	PEL-N-215-00148-00001	14	NA	NA	0.65	0.32	40	17									
	with integral grilles	PEL-N-215-00149-00001				0.65	0.27	32	17									
7/8"	Green Advanced IG PVB	PEL-N-174-00059-00001	8	5	argon	0.30	0.20	31	57	Blue	Yellow	Orange	Red					
	with integral grilles	PEL-N-174-00061-00001				0.31	0.17	26	57									

R-Value = 1/U-Factor
 SHGC = Solar Heat Gain Coefficient
 VLT % = Visible Light Transmission
 CR = Condensation Resistance
 ER = Canadian Energy Rating

(1) Glazing performance values are calculated based on NFRC 100, NFRC 200 and NFRC 500. ENERGY STAR® values are updated to 2015 (Version 6) criteria.

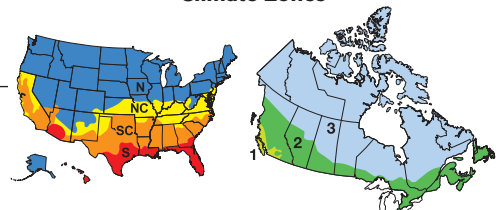
(2) The values shown are based on Canada's updated ENERGY STAR® 2015 initiative.

U-Factor values shown are based on a standard sill and pine interior.

For center-glass values, see the Product Performance section.

See the Product Performance section for more detailed information or visit www.energystar.gov for Energy Star guidelines.

Climate Zones





IN-SWING DOOR

GLAZING PERFORMANCE - TOTAL UNIT

Aluminum-Clad Wood



Glazing Thickness	Type of Glazing	NFRC Certified Product #	Glass (mm)			Gap Fill	Performane Values ¹				Shaded Areas Meet ENERGY STAR® Performance Criteria in Zones Shown							
			Ext.	Mid	Int.		U-Factor	SHGC	VLT %	CR	U. S.				Canada ²			
											Zone				ER	Zone		
											N	NC	SC	S		1	2	3
TRIPLE-PANE GLAZING																		
5/8"	5/8" clear	PEL-N-3-01846-00001	3	3	3	air	0.33	0.38	40	60								
5/8"	5/8" Advanced Low-E IG	PEL-N-3-01682-00001	3	3	3	argon	0.26	0.19	34	65					17			
5/8"	SunDefense™ Low-E IG	PEL-N-3-01666-00001	3	3	3	argon	0.26	0.14	31	65					14			
5/8"	SunDefense™ Low-E IG	PEL-N-3-01671-00001	4	4	4	argon	0.27	0.14	31	65					13			
5/8"	AdvancedComfort Low-E IG	PEL-N-3-01744-00001	3	3	3	argon	0.24	0.18	30	66					19			
5/8"	NaturalSun Low-E IG	PEL-N-3-01722-00001	3	3	3	argon	0.26	0.34	38	65					26			
TINTED GLAZING																		
5/8"	Bronze Advanced Low-E IG	PEL-N-3-01698-00001	5	3	3	argon	0.27	0.16	22	64					14			
5/8"	Gray Advanced Low-E IG	PEL-N-3-01706-00001	5	3	3	argon	0.27	0.15	19	64					14			
5/8"	Green Advanced Low-E IG	PEL-N-3-01714-00001	5	3	3	argon	0.27	0.16	27	64					14			
HIGH ALTITUDE GLAZING																		
5/8"	Advanced Low-E IG	PEL-N-3-01690-00001	3	3	3	air	0.28	0.19	34	64					15			
5/8"	Advanced Low-E IG	PEL-N-3-01695-00001	4	4	4	air	0.29	0.19	34	64								
5/8"	SunDefense™ Low-E IG	PEL-N-3-01674-00001	3	3	3	air	0.28	0.14	31	64					12			
5/8"	SunDefense™ Low-E IG	PEL-N-3-01679-00001	4	4	4	air	0.29	0.14	31	64					11			
5/8"	AdvancedComfort Low-E IG	PEL-N-3-01926-00001	3	3	3	air	0.26	0.18	33	65					17			
5/8"	NaturalSun Low-E IG	PEL-N-3-01918-00001	3	3	3	air	0.29	0.33	38	62								
5/8"	NaturalSun Low-E IG	PEL-N-3-01923-00001	4	4	4	air	0.30	0.32	38	62								

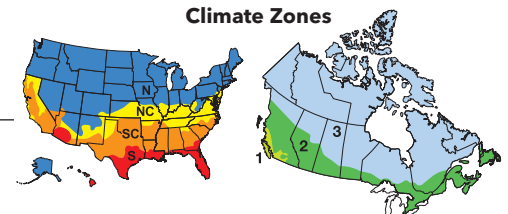
R-Value = 1/U-Factor
 SHGC = Solar Heat Gain Coefficient
 VLT % = Visible Light Transmission
 CR = Condensation Resistance
 ER = Canadian Energy Rating

(1) Glazing performance values are calculated based on NFRC 100, NFRC 200 and NFRC 500. ENERGY STAR® values are updated to 2015 (Version 6) criteria.

(2) The values shown are based on Canada's updated ENERGY STAR® 2015 initiative.

For center-glass values, see the Product Performance section.

See the Product Performance section for more detailed information or visit www.energystar.gov for Energy Star guidelines.





IN-SWING DOOR

GLAZING PERFORMANCE - TOTAL UNIT

Aluminum-Clad Wood



Glazing Thickness	Type of Glazing	NFRC Certified Product #	Glass Layup (mm)		Gap Fill	Performance Values ¹				Shaded Areas Meet ENERGY STAR® Performance Criteria in Zones Shown						
			Ext.	Int.		U-Factor	SHGC	VLT %	CR	U. S.				Canada ²		
										Zone				ER	Zone	
						N	NC	SC	S			1	2	3		
3/4"	Advanced LowE IG	PEL-N-12-00244-00001	3	3	argon	0.30	0.21	40								
	with grilles-between-the-glass	PEL-N-12-00245-00001				0.30	0.19	34								
3/4"	SunDefense™ Low-E IG	PEL-N-12-00208-00001	3	3	argon	0.30	0.16	36								
	with grilles-between-the-glass	PEL-N-12-00209-00001				0.30	0.14	31								
3/4"	AdvancedComfort Low-E IG	PEL-N-216-00015-00001	3	3	argon	0.26	0.21	38					18			
	with grilles-between-the-glass	PEL-N-216-00016-00001				0.26	0.18	33					17			
3/4"	NaturalSun LowE IG	PEL-N-12-00232-00001	3	3	argon	0.31	0.40	45								
	with grilles-between-the-glass	PEL-N-12-00233-00001				0.31	0.34	38								
HIGH ALTITUDE GLAZING																
3/4"	Advanced LowE IG	PEL-N-12-00241-00001	3	3	air	0.32	0.22	40								
	with grilles-between-the-glass	PEL-N-12-00242-00001				0.32	0.19	34								
3/4"	SunDefense™ Low-E IG	PEL-N-12-00205-00001	3	3	air	0.32	0.16	36								
	with grilles-between-the-glass	PEL-N-12-00206-00001				0.32	0.14	31								
3/4"	AdvancedComfort Low-E IG	PEL-N-216-00013-00001	3	3	air	0.28	0.21	38					16			
	with grilles-between-the-glass	PEL-N-216-00014-00001				0.28	0.18	33					14			
3/4"	NaturalSun LowE IG	PEL-N-12-00229-00001	3	3	air	0.34	0.40	45								
	with grilles-between-the-glass	PEL-N-12-00230-00001				0.34	0.34	38								

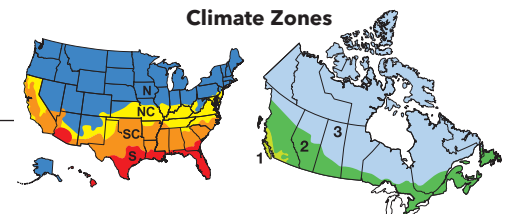
R-Value = 1/U-Factor
 SHGC = Solar Heat Gain Coefficient
 VLT % = Visible Light Transmission
 CR = Condensation Resistance
 ER = Canadian Energy Rating

(1) Glazing performance values are calculated based on NFRC 100, NFRC 200 and NFRC 500. ENERGY STAR® values are updated to 2015 (Version 6) criteria.

(2) The values shown are based on Canada's updated ENERGY STAR® 2015 initiative.

For center-glass values, see the Product Performance section.

See the Product Performance section for more detailed information or visit www.energystar.gov for Energy Star guidelines.





IN-SWING DOOR

SOUND TRANSMISSION CLASS

Outdoor-Indoor Transmission Class



Product	Frame Size Tested ⁽¹⁾	Glazing System				STC Rating	OITC Rating
		Overall Glazing Thickness	Exterior Glass Thickness	Interior Glass Thickness	Third Pane Thickness (HGP)		
ARCHITECT SERIES CLAD	WITH INTEGRAL GRILLES						
	71-1/4" x 81-1/2" (passive-active)	13/16"	3mm	3mm	–	32	27
	WITH REMOVABLE OR NO GRILLES						
	71-1/4" x 81-1/2" (passive-active)	13/16"	3mm	3mm	–	31	25
ARCHITECT SERIES CLAD HURRICANE-SHIELD® IMPACT RESISTANT	WITH INTEGRAL GRILLES						
	71-1/4" x 81-1/2" (passive-active)	7/8"	8.6mm SGP	4.7mm	–	35	31
	WITH REMOVABLE OR NO GRILLES						
	71-1/4" x 81-1/2" (passive-active)	7/8"	8.6mm SGP	4.7mm	–	33	30
DESIGNER SERIES CLAD	WITH REMOVABLE BETWEEN-THE-GLASS GRILLES OR NO GRILLES						
	71-1/4" x 81-1/2" (passive-active)	5/8"	3mm	3mm	3mm	34	29

(–) = Not Available

NOTE: Performance with additional options may not be the same as Standard and Special size units. Please contact your local Pella representative for complete information.

(1) ASTM E 1425 defines standard sizes for acoustical testing. Ratings achieved at that size are representative of all sizes of the same configuration.



IN-SWING DOOR

COMBINATION ASSEMBLIES



Combinations are a great way to create visual interest in any project. A combination is an assembly formed by two or more separate windows or doors whose frames are mullioned together by a combination or reinforcing mullion.

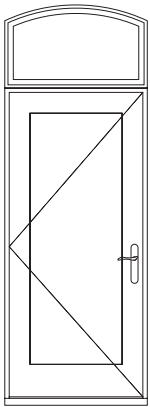
Pella door combinations are available in an endless variety of arrangements. Below are available factory-assembled combinations. Some units can be fixed or vent depending on availability, and may vary between Architect Series®, Designer Series® and Pella® ProLine. See Installation and Performance Section for typical combinations and requirements and limitations related to mulling various combinations.

Contact your local Pella sales representative for more information.

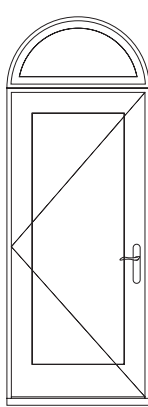


Click to view Clad-Wood Combinations Sections

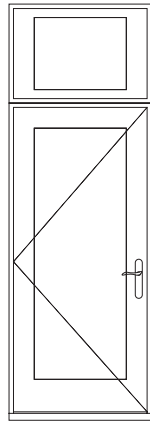
- [Combination Recommendations Downloadable PDF.](#)
- [Combination Size Tables Downloadable PDF.](#)



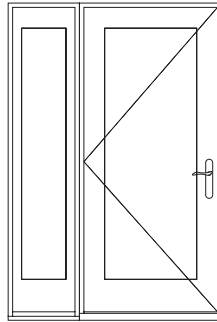
Arch Head over Single



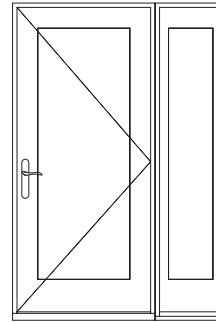
Half Circle over Single



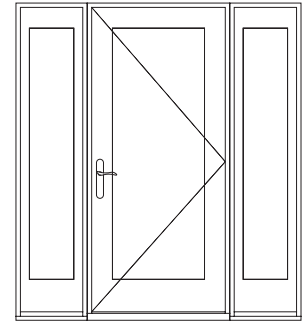
Transom over Single¹



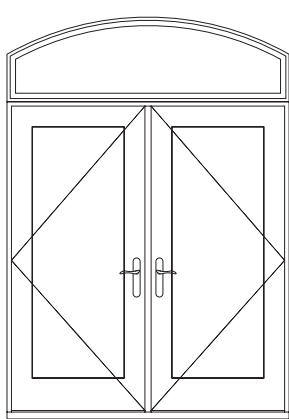
Single with Left Sidelight



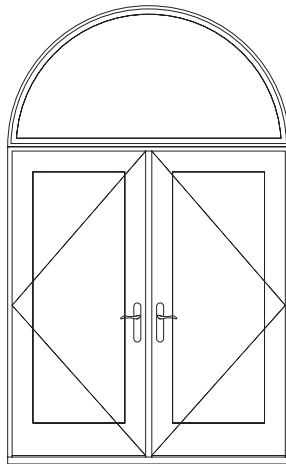
Single with Right Sidelight



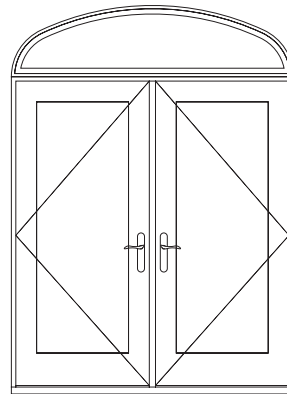
Single with Double Sidelight



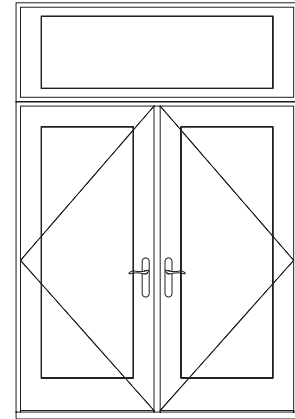
Arch Head over Double



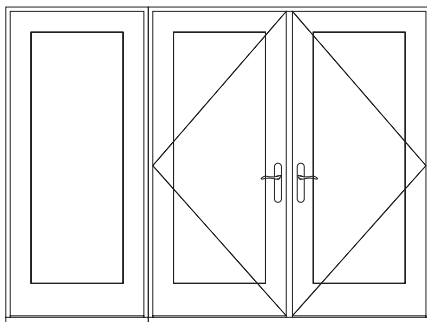
Half Circle over Double



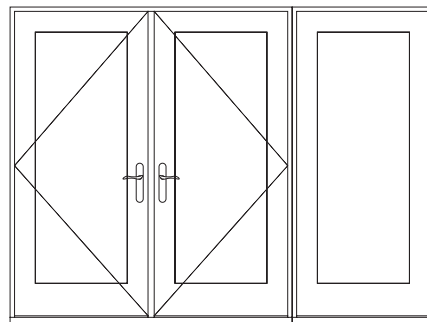
Elliptical over Double



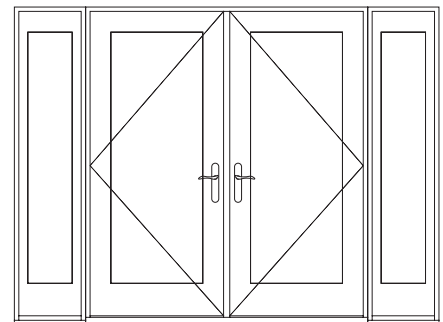
Transom over Double



Double with Single Left



Double with Single Right



Double with Double Sidelights

(1) Other rectangular profiles are also available as combination options.



IN-SWING DOOR

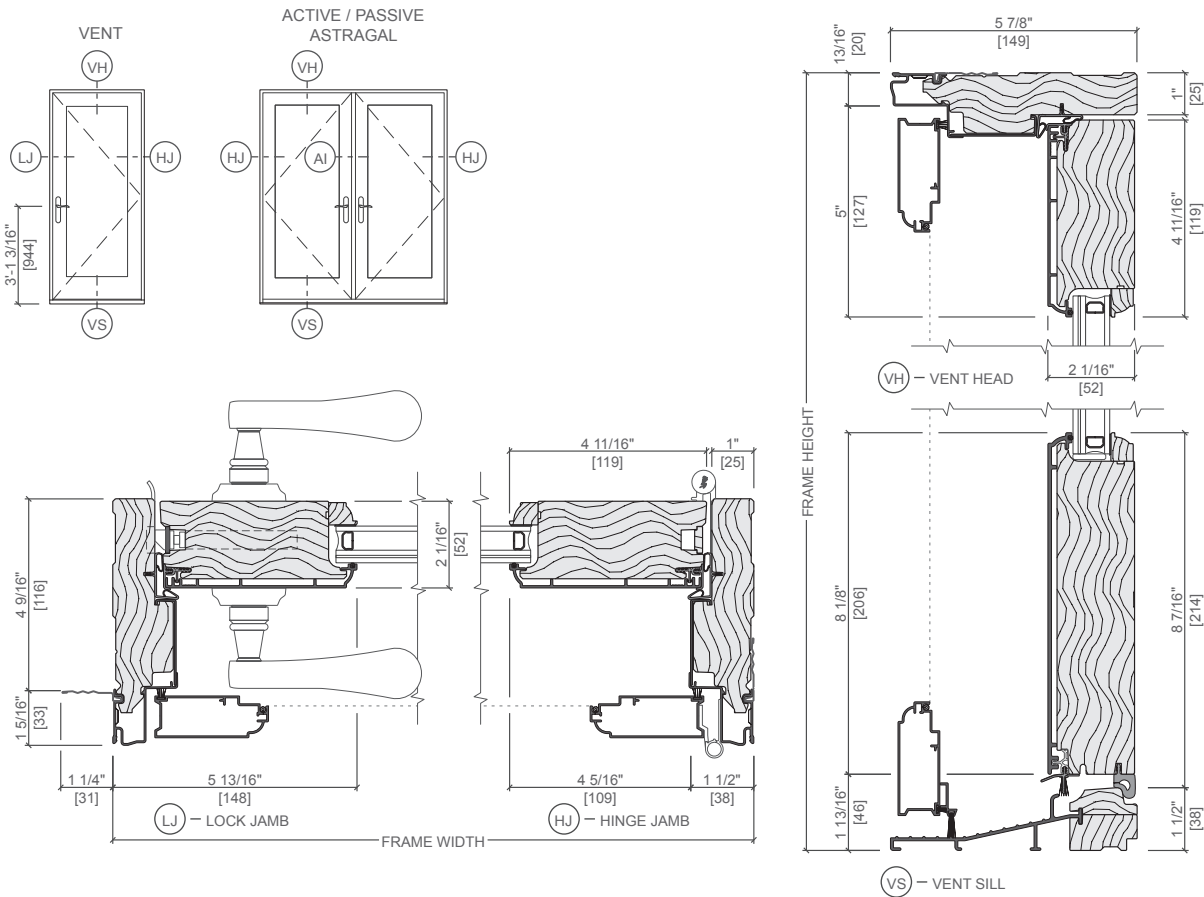
HURRICANESHIELD® IMPACT-RESISTANT GLAZING

Aluminum-Clad Wood



For a complete list of the HurricaneShield Impact-Resistant Glazing ratings, refer to the Coastal and High Winds section.

	CLAD		WOOD
	9/16" Single-Laminated PVB	7/8" Insulated Glass PVB	7/8" Insulated Glass PVB
MAXIMUM PERFORMANCE GRADE 1			
Vent units 6' 10" tall and under	+55 / -70	+55 / -70	+55 / -55
Vent units 8' 0" tall and under	+55 / -70	+55 / -70	+55 / -55
Vent units over 8' 0" tall up to 10' 0" tall	+40 / -50	+40 / -50	+40 / -50
Fixed units 6' 10" tall and under	+55 / -70	+55 / -70	+55 / -55
Fixed units 8' 0" tall and under	+55 / -70	+55 / -70	+55 / -55
Fixed units over 8' 0" tall up to 10' 0" tall	+40 / -50	+40 / -50	+40 / -50
CERTIFICATION			
Miami-Dade County	-	-	-
Hallmark	411-H-1164	411-H-1164	411-H-1173
FPAS	FL14293	FL14293	FL14290
TDI	DR-635	DR-635	DR-635



(-) = Not applicable.

(1) Units are tested for air/water/structural and impact-resistance, and certified for wind zone 4, large missile rating D.

Transoms are not available with impact-resistant Glazing.

For clear opening, vent area, visible glass, and frame area, see clad Design Data pages.

To convert areas to square meters (m2), multiply square feet by 0.0929.

Doors with low profile sills, curved glass in rectangular panel, custom stiles and rails, and no-lock no-bore hardware options are not certified to above standards.



IN-SWING DOOR

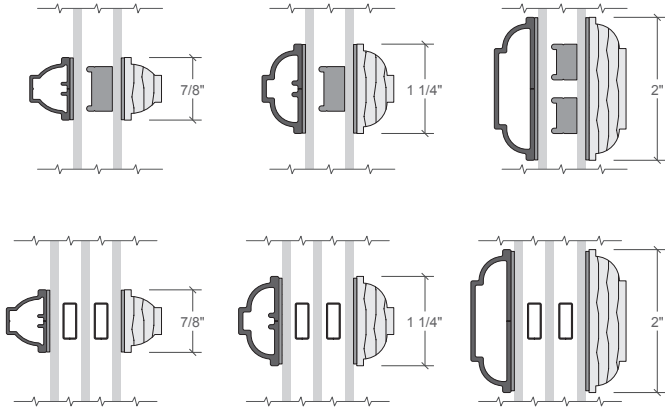
GRILL TYPES

Typical Grille Profiles

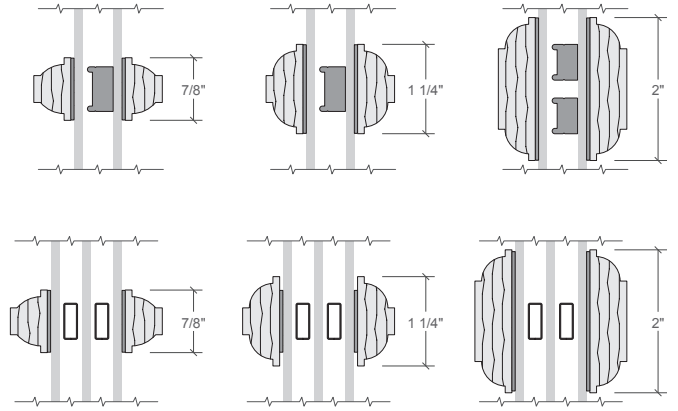


Integral Light Technology

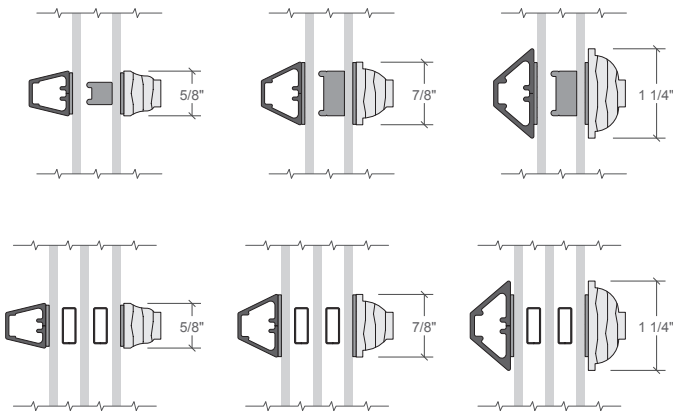
Ogee Grilles Clad Exterior - Wood Interior₁



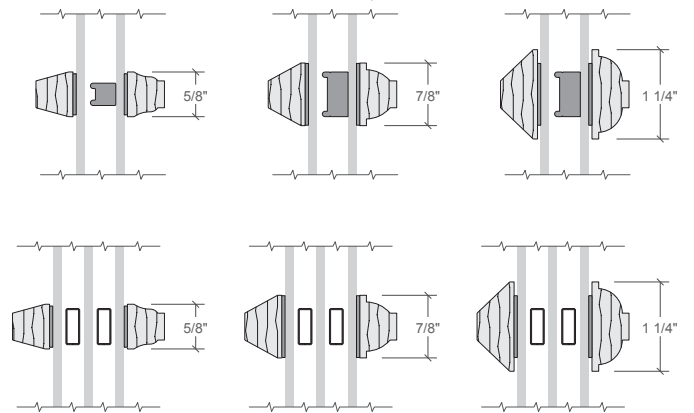
Ogee Grilles Wood Exterior - Wood Interior₂



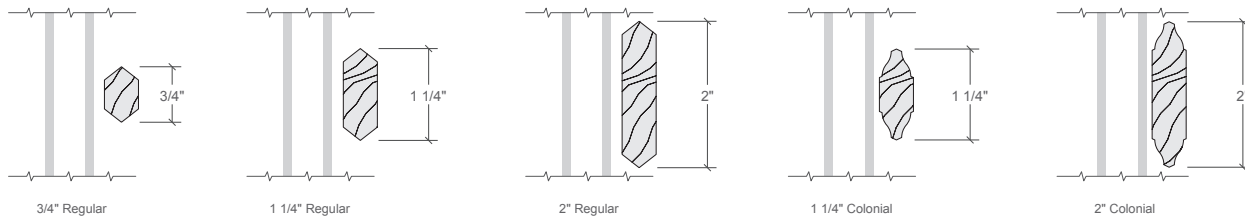
Putty Glaze and Ogee Grilles Clad Exterior - Wood Interior_{1,3}



Putty Glaze and Ogee Grilles Wood Exterior - Wood Interior_{2,3}



Removable Interior Pine Grilles



3/4" Regular

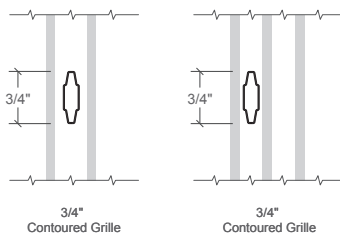
1 1/4" Regular

2" Regular

1 1/4" Colonial

2" Colonial

Grilles-Between-the-Glass



3/4" Contoured Grille

3/4" Contoured Grille

(1) Available in Pine, Mahogany, Alder or Douglas Fir to match complete unit.
 (2) Available in Pine or Mahogany to match complete unit.
 (3) Putty Exterior/Putty Interior, Ogee Exterior/Putty Interior are also available.



IN-SWING DOOR

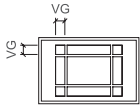
GRILL TYPES

Typical Grille Patterns



Integral Light Technology® Grilles and Removable Grille Patterns

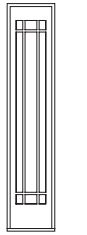
PRAIRIE LITE PATTERNS



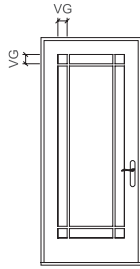
Wide Stile Transom



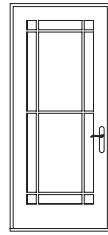
Standard Stile Transom



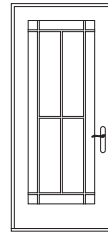
SIDELIGHT
Prairie
(9-Lite)



Prairie
(9-Lite)



Prairie *
(12-Lite)



Prairie
(12-Lite)



Prairie
(14-Lite)

All sidelights and transoms will have 9 lights.

Standard corner lite dimension for Prairie patterns = 3-1/2" VG.

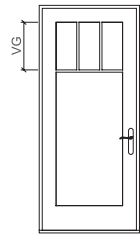
Integral Light Technology Grilles

- 9-Lite available in all standard and special sizes.
- 12-Lite available at 8' height; other heights available per custom drawing.
- 14-Lite available in units > 2' 1-1/2" width.

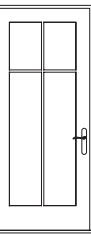
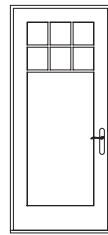
Removable Grilles

- 9-Lite available in units < 7' 0-1/2" height.
- * Prairie in heights > 7' 0-1/4" will have 12 Lites.

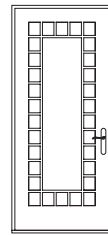
OTHER AVAILABLE PATTERNS



Top Row



New England



Victorian

Top Row

- Standard visible glass to separator bar = 14" or half of total visible glass height, whichever is smaller.

Cross

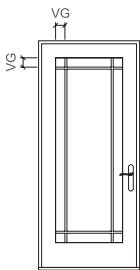
- Standard visible glass to separator bar = one-quarter of total visible glass height.

New England

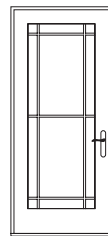
- Standard visible glass to separator bar = half of total visible glass height.

Grilles-Between-the-Glass

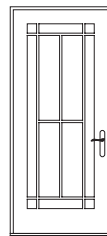
PRAIRIE LITE PATTERNS



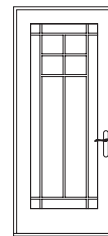
Prairie
(9-Lite)



Prairie
(12-Lite) *



Prairie
(12-Lite)



Prairie
(14-Lite)

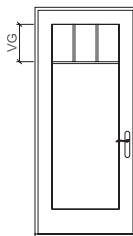
Prairie

- Standard corner lite dimension = 3-1/2" VG.
- 9-Lite available in units < 7' 0-3/4" height.
- * Prairie in heights > 7' 0-1/2" will have 12 lites.
- 12-Lite available in units ≤ 7' 2" height.

OTHER AVAILABLE PATTERNS



Cross



Top Row

Cross

- Horizontal bar is 1/4 of visible glass from the top in door panels.
- Not available in transoms.

Top Row

- Horizontal bar may be ordered 12", 14" or 16" from the top VG.
- Transoms with frame heights ≥ 21", the horizontal bar will be positioned at 1/2 the visible glass height.
- Top Row not available in transoms with frame height < 21".

For traditional patterns, see size tables.

VG = Visible Glass

Lite dimensions noted can vary.

Custom configurations are available; for details contact your local Pella sales representative.



IN-SWING DOOR

SIZE TABLES

Aluminum-Clad Wood
6'7-1/2"



6' 7" Single Doors and Sidelight

	(476) (457)	(664) (645)	(781) (762)	(870) (851)	(933) (914)	(981) (962)
Opening	1' 6 3/4"	2' 2 1/8"	2' 6 3/4"	2' 10 1/4"	3' 0 3/4"	3' 2 5/8"
Frame	1' 6"	2' 1 3/8"	2' 6"	2' 9 1/2"	3' 0"	3' 1 7/8"

(2 032) (2 019)	6' 8" 6' 7 1/2"						
		SIDELIGHT 1880	LEFT 2680	LEFT 3080	LEFT 3480	LEFT 3680	LEFT 3880

6' 7" Double Doors Fixed-Active

	(1 289) (1 270)	(1 524) (1 505)	(1 702) (1 682)	(1 829) (1 810)	(1 924) (1 905)
Opening	4' 2 3/4"	5' 0"	5' 7"	6' 0"	6' 3 3/4"
Frame	4' 2"	4' 11 1/4"	5' 6 1/4"	5' 11 1/4"	6' 3"

(2 032) (2 019)	6' 8" 6' 7 1/2"					
		FIXED-ACTIVE 5080	FIXED-ACTIVE 6080	FIXED-ACTIVE 6780	FIXED-ACTIVE 7280	FIXED-ACTIVE 7580

6' 7" Double Doors Active-Passive

	(1 289) (1 270)	(1 524) (1 505)	(1 702) (1 682)	(1 829) (1 810)	(1 924) (1 905)
Opening	4' 2 3/4"	5' 0"	5' 7"	6' 0"	6' 3 3/4"
Frame	4' 2"	4' 11 1/4"	5' 6 1/4"	5' 11 1/4"	6' 3"

(2 032) (2 019)	6' 8" 6' 7 1/2"					
		ACTIVE-PASSIVE 5080	ACTIVE-PASSIVE 6080	ACTIVE-PASSIVE 6780	ACTIVE-PASSIVE 7280	ACTIVE-PASSIVE 7580

Not to scale.

Traditional grille patterns shown. Refer to Clad/Wood Overview section for additional patterns and profiles.

All doors and sidelights are glazed with tempered glass.

Left-hand single doors shown, right-hand and fixed also available.

For Wood Units Only:

To determine masonry dimensions when using Pella 1-7/8" brickmould, add 1-5/8" to frame height and 3-1/8" to frame width. When using Pella 3-1/2" brickmould, add 6-3/8" to frame width and 3-1/4" to frame height.



IN-SWING DOOR

SIZE TABLES

Aluminum-Clad Wood

6'8"



6' 8" Single Doors and Sidelight

	(476) (457)	(664) (645)	(781) (762)	(870) (851)	(933) (914)	(981) (962)
Opening	1' 6 3/4"	2' 2 1/8"	2' 6 3/4"	2' 10 1/4"	3' 0 3/4"	3' 2 5/8"
Frame	1' 6"	2' 1 3/8"	2' 6"	2' 9 1/2"	3' 0"	3' 1 7/8"

(2 048) (2 035)	6' 8 5/8"	6' 8 1/8"	6' 8 5/8"	6' 8 1/8"	6' 8 5/8"	6' 8 1/8"
	SIDELIGHT 1881	LEFT 2681	LEFT 3081	LEFT 3481	LEFT 3681	LEFT 3881

6' 8" Double Doors Fixed-Active

	(1 289) (1 270)	(1 524) (1 505)	(1 702) (1 682)	(1 829) (1 810)	(1 924) (1 905)
Opening	4' 2 3/4"	5' 0"	5' 7"	6' 0"	6' 3 3/4"
Frame	4' 2"	4' 11 1/4"	5' 6 1/4"	5' 11 1/4"	6' 3"

(2 048) (2 035)	6' 8 5/8"	6' 8 1/8"	6' 8 5/8"	6' 8 1/8"	6' 8 5/8"
	FIXED-ACTIVE 5081	FIXED-ACTIVE 6081	FIXED-ACTIVE 6781	FIXED-ACTIVE 7281	FIXED-ACTIVE 7581

6' 8" Double Doors Active-Passive

	(1 289) (1 270)	(1 524) (1 505)	(1 702) (1 682)	(1 829) (1 810)	(1 924) (1 905)
Opening	4' 2 3/4"	5' 0"	5' 7"	6' 0"	6' 3 3/4"
Frame	4' 2"	4' 11 1/4"	5' 6 1/4"	5' 11 1/4"	6' 3"

(2 048) (2 035)	6' 8 5/8"	6' 8 1/8"	6' 8 5/8"	6' 8 1/8"	6' 8 5/8"
	ACTIVE-PASSIVE 5081	ACTIVE-PASSIVE 6081	ACTIVE-PASSIVE 6781	ACTIVE-PASSIVE 7281	ACTIVE-PASSIVE 7581

Not to scale.

Traditional grille patterns shown. Refer to Clad/Wood Overview section for additional patterns and profiles.

All doors and sidelights are glazed with tempered glass.

Left-hand single doors shown, right-hand and fixed also available.

For Wood Units Only:

To determine masonry dimensions when using Pella 1-7/8" brickmould, add 1-5/8" to frame height and 3-1/8" to frame width. When using Pella 3-1/2" brickmould, add 6-3/8" to frame width and 3-1/4" to frame height.



IN-SWING DOOR

SIZE TABLES


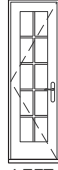
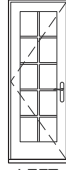
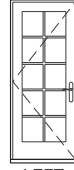
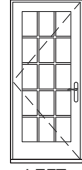
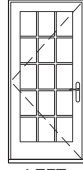

Aluminum-Clad Wood

6'10"



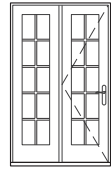
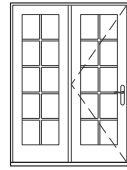
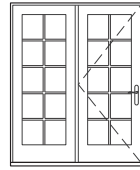
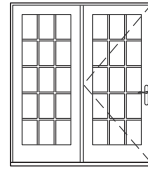
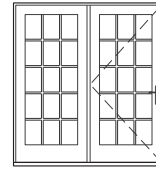
6' 10" Single Doors and Sidelight

	(476) (457)	(664) (645)	(781) (762)	(870) (851)	(933) (914)	(981) (962)
Opening	1' 6 3/4"	2' 2 1/8"	2' 6 3/4"	2' 10 1/4"	3' 0 3/4"	3' 2 5/8"
Frame	1' 6"	2' 1 3/8"	2' 6"	2' 9 1/2"	3' 0"	3' 1 7/8"

(2 083) (2 070)	6' 10"	6' 9 1/2"							
			SIDELIGHT 1882	LEFT 2682	LEFT 3082	LEFT 3482	LEFT 3682	LEFT 3882	

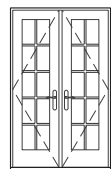
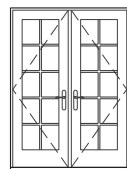
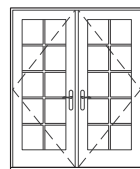
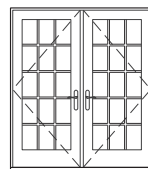
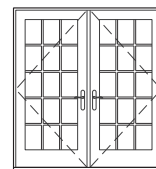
6' 10" Double-Swing Doors Fixed-Active

	(1 289) (1 270)	(1 524) (1 505)	(1 702) (1 682)	(1 829) (1 810)	(1 924) (1 905)
Opening	4' 2 3/4"	5' 0"	5' 7"	6' 0"	6' 3 3/4"
Frame	4' 2"	4' 11 1/4"	5' 6 1/4"	5' 11 1/4"	6' 3"

(2 083) (2 070)	6' 10"	6' 9 1/2"					
			FIXED-ACTIVE 5082	FIXED-ACTIVE 6082	FIXED-ACTIVE 6782	FIXED-ACTIVE 7282	FIXED-ACTIVE 7582

6' 10" Double Doors Active-Passive

	(1 289) (1 270)	(1 524) (1 505)	(1 702) (1 682)	(1 829) (1 810)	(1 924) (1 905)
Opening	4' 2 3/4"	5' 0"	5' 7"	6' 0"	6' 3 3/4"
Frame	4' 2"	4' 11 1/4"	5' 6 1/4"	5' 11 1/4"	6' 3"

(2 083) (2 070)	6' 10"	6' 9 1/2"					
			ACTIVE-PASSIVE 5082	ACTIVE-PASSIVE 6082	ACTIVE-PASSIVE 6782	ACTIVE-PASSIVE 7282	ACTIVE-PASSIVE 7582

Not to scale.

Traditional grille patterns shown. Refer to Clad/Wood Overview section for additional patterns and profiles.

All doors and sidelights are glazed with tempered glass.

Left-hand single doors shown, right-hand and fixed also available.

For Wood Units Only:

To determine masonry dimensions when using Pella 1-7/8" brickmould, add 1-5/8" to frame height and 3-1/8" to frame width. When using Pella 3-1/2" brickmould, add 6-3/8" to frame width and 3-1/4" to frame height.



IN-SWING DOOR

SIZE TABLES

Aluminum-Clad Wood

7'2"



7' 2" Single Doors and Sidelight

	(476) (457)	(664) (645)	(781) (762)	(870) (851)	(933) (914)	(981) (962)
Opening	1' 6 3/4"	2' 2 1/8"	2' 6 3/4"	2' 10 1/4"	3' 0 3/4"	3' 2 5/8"
Frame	1' 6"	2' 1 3/8"	2' 6"	2' 9 1/2"	3' 0"	3' 17/8"
(2 197) (2 184) 7' 2 1/2" 7' 2"						
	SIDELIGHT 1886	LEFT 2686	LEFT 3086	LEFT 3486	LEFT 3686	LEFT 3886

7' 2" Double-Swing Doors Fixed-Active

	(1 289) (1 270)	(1 524) (1 505)	(1 702) (1 682)	(1 829) (1 810)	(1 924) (1 905)
Opening	4' 2 3/4"	5' 0"	5' 7"	6' 0"	6' 3 3/4"
Frame	4' 2"	4' 11 1/4"	5' 6 1/4"	5' 11 1/4"	6' 3"
(2 197) (2 184) 7' 2 1/2" 7' 2"					
	FIXED-ACTIVE 5086	FIXED-ACTIVE 6086	FIXED-ACTIVE 6786	FIXED-ACTIVE 7286	FIXED-ACTIVE 7586

7' 2" Double Doors Active-Passive

	(1 289) (1 270)	(1 524) (1 505)	(1 702) (1 682)	(1 829) (1 810)	(1 924) (1 905)
Opening	4' 2 3/4"	5' 0"	5' 7"	6' 0"	6' 3 3/4"
Frame	4' 2"	4' 11 1/4"	5' 6 1/4"	5' 11 1/4"	6' 3"
(2 197) (2 184) 7' 2 1/2" 7' 2"					
	ACTIVE-PASSIVE 5086	ACTIVE-PASSIVE 6086	ACTIVE-PASSIVE 6786	ACTIVE-PASSIVE 7286	ACTIVE-PASSIVE 7586

Not to scale.

Traditional grille patterns shown. Refer to Clad/Wood Overview section for additional patterns and profiles.

All doors and sidelights are glazed with tempered glass.

Left-hand single doors shown, right-hand and fixed also available.

For Wood Units Only:

To determine masonry dimensions when using Pella 1-7/8" brickmould, add 1-5/8" to frame height and 3-1/8" to frame width. When using Pella 3-1/2" brickmould, add 6-3/8" to frame width and 3-1/4" to frame height.



IN-SWING DOOR

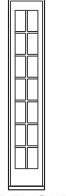
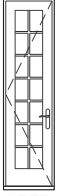
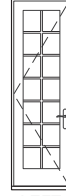
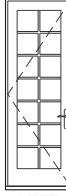
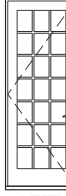
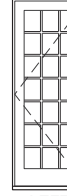
SIZE TABLES

Aluminum-Clad Wood

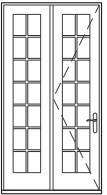
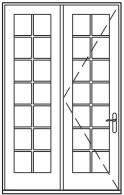
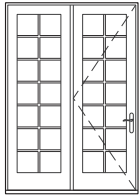
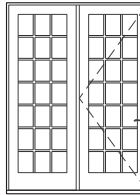
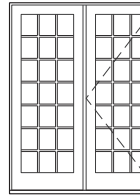
8'0"



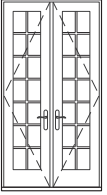
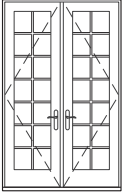
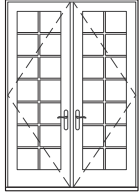
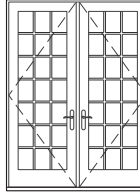
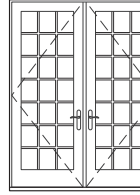
8' 0" Single Doors and Sidelight

	(476) (457)	(664) (645)	(781) (762)	(870) (851)	(933) (914)	(981) (962)
Opening	1' 6 3/4"	2' 2 1/8"	2' 6 3/4"	2' 10 1/4"	3' 0 3/4"	3' 2 5/8"
Frame	1' 6"	2' 1 3/8"	2' 6"	2' 9 1/2"	3' 0"	3' 17/8"
(2 438) (2 426) 8' 0" 7' 11 1/2"						
	SIDELIGHT 1896	LEFT 2696	LEFT 3096	LEFT 3496	LEFT 3696	LEFT 3896

8' 0" Double-Swing Doors Fixed-Active

	(1 289) (1 270)	(1 524) (1 505)	(1 702) (1 682)	(1 829) (1 810)	(1 924) (1 905)
Opening	4' 2 3/4"	5' 0"	5' 7"	6' 0"	6' 3 3/4"
Frame	4' 2"	4' 11 1/4"	5' 6 1/4"	5' 11 1/4"	6' 3"
(2 438) (2 426) 8' 0" 7' 11 1/2"					
	FIXED-ACTIVE 5096	FIXED-ACTIVE 6096	FIXED-ACTIVE 6796	FIXED-ACTIVE 7296	FIXED-ACTIVE 7596

8' 0" Double Doors Active-Passive

	(1 289) (1 270)	(1 524) (1 505)	(1 702) (1 682)	(1 829) (1 810)	(1 924) (1 905)
Opening	4' 2 3/4"	5' 0"	5' 7"	6' 0"	6' 3 3/4"
Frame	4' 2"	4' 11 1/4"	5' 6 1/4"	5' 11 1/4"	6' 3"
(2 438) (2 426) 8' 0" 7' 11 1/2"					
	ACTIVE-PASSIVE 5096	ACTIVE-PASSIVE 6096	ACTIVE-PASSIVE 6796	ACTIVE-PASSIVE 7296	ACTIVE-PASSIVE 7596

Not to scale.

Traditional grille patterns shown. Refer to Clad/Wood Overview section for additional patterns and profiles.

All doors and sidelights are glazed with tempered glass.

Left-hand single doors shown, right-hand and fixed also available.

For Wood Units Only:

To determine masonry dimensions when using Pella 1-7/8" brickmould, add 1-5/8" to frame height and 3-1/8" to frame width. When using Pella 3-1/2" brickmould, add 6-3/8" to frame width and 3-1/4" to frame height.



IN-SWING DOOR

SIZE TABLES

Aluminum-Clad Wood

10'0"



10' 0" Single Doors and Sidelight

	(664) (645)	(781) (762)	(870) (851)	(933) (914)	(981) (962)
Opening	2' 2 1/8"	2' 6 3/4"	2' 10 1/4"	3' 0 3/4"	3' 2 5/8"
Frame	2' 1 3/8"	2' 6"	2' 9 1/2"	3' 0"	3' 1 7/8"

(3 048) (3 035)	10' 0"					
	9' 11 1/2"					
		LEFT 26120	LEFT 30120	LEFT 34120	LEFT 36120	LEFT 38120

10' 0" Double Doors Active-Passive

	(1 289) (1 270)	(1 524) (1 505)	(1 702) (1 682)	(1 829) (1 810)	(1 924) (1 905)
Opening	4' 2 3/4"	5' 0"	5' 7"	6' 0"	6' 3 3/4"
Frame	4' 2"	4' 11 1/4"	5' 6 1/4"	5' 11 1/4"	6' 3"

(3 048) (3 035)	10' 0"					
	9' 11 1/2"					
		ACTIVE-PASSIVE 50120	ACTIVE-PASSIVE 60120	ACTIVE-PASSIVE 67120	ACTIVE-PASSIVE 72120	ACTIVE-PASSIVE 75120

Not to scale.

Traditional grille patterns shown. Refer to Clad/Wood Overview section for additional patterns and profiles.

All doors and sidelights are glazed with tempered glass.

Left-hand single doors shown, right-hand and fixed also available.

For Wood Units Only:

To determine masonry dimensions when using Pella 1-7/8" brickmould, add 1-5/8" to frame height and 3-1/8" to frame width. When using Pella 3-1/2" brickmould, add 6-3/8" to frame width and 3-1/4" to frame height.



IN-SWING DOOR

SIZE TABLES

Aluminum-Clad Wood Transoms



Wide Stile Transoms for Single Doors

	(664) (645)	(781) (762)	(870) (851)	(933) (914)	(981) (962)
Opening	2' 2 1/8"	2' 6 3/4"	2' 10 1/4"	3' 0 3/4"	3' 2 5/8"
Frame	2' 1 3/8"	2' 6"	2' 9 1/2"	3' 0"	3' 1 7/8"
1' 2"					
1' 5 3/4"					
2' 1 3/4"					

Wide Stile Transoms for Double-Swing Doors

	(1 289) (1 270)	(1 524) (1 505)	(1 702) (1 682)	(1 829) (1 810)
Opening	4' 2 3/4"	5' 0"	5' 7"	6' 0"
Frame	4' 2"	4' 11 1/4"	5' 6 1/4"	5' 11 1/4"
1' 2"				
1' 5 3/4"				
2' 1 3/4"				

Standard Stile Transoms for Single Doors

1' 2"					
1' 5 3/4"					
2' 1 3/4"					

Standard Stile Transoms for Double Doors

1' 2"				
1' 5 3/4"				
2' 1 3/4"				

Fixed Frame Direct Sets for Single Doors GBG Only

1' 2"					
1' 5 3/4"					
2' 1 3/4"					

Fixed Frame Direct Sets for Double Doors GBG Only

1' 2"				
1' 5 3/4"				
2' 1 3/4"				

Not to scale.

Tempered glass is standard.

Traditional grille patterns shown. Refer to Clad/Wood Overview section for additional patterns and profiles.

For Wood Units Only:

To determine masonry dimensions when using Pella 1-7/8" brickmould, add 1-5/8" to frame height and 3-1/8" to frame width. When using Pella 3-1/2" brickmould, add 6-3/8" to frame width and 3-1/4" to frame height.



IN-SWING DOOR

SPECIAL SIZES

Custom shapes

Wood and Aluminum-Clad Wood



Special Size Frame Dimensions₁

DOOR TYPE	FRAME WIDTH		FRAME HEIGHT	
	Minimum	Maximum	Minimum	Maximum
SINGLE DOOR	25-3/8"	37-7/8"	79-1/2"	119-1/2"
DOUBLE DOOR	50"	75"	79-1/2"	119-1/2"
TRANSOM	25-1/4"	75-3/4"	17"	25"
SIDELIGHT	18"	18"	79-1/2"	95-1/2"

Impact-Resistant Glazing Special Size Frame Dimensions₂

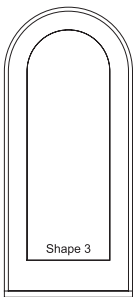
DOOR TYPE	FRAME WIDTH		FRAME HEIGHT	
	Minimum	Maximum	Minimum	Maximum
SINGLE DOOR	24"	37-7/8"	76-3/8"	119-1/2"
DOUBLE DOOR	48"	75"	73-3/8"	119-1/2"
TRANSOMS	25-1/4"	75-3/4"	17"	25"
SIDELIGHT	12"	42"	48"	96"

Hinged Door Screen Availability₂

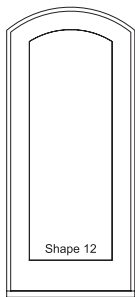
DOOR TYPE	FRAME WIDTH		FRAME HEIGHT	
	Minimum	Maximum	Minimum	Maximum
SINGLE DOOR	24"	42"	71-1/4"	98-1/8"
DOUBLE DOOR	48"	84"	71-1/4"	98-1/8"

CUSTOM SHAPES

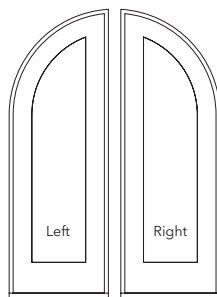
Pella Architect Series In-Swing French doors are available in the additional shapes shown below, as well as custom shapes. For specifications, size limitations, and details on these units, contact your local Pella sales representative.



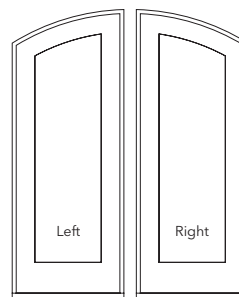
Full Springline



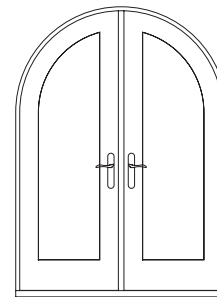
Full Arch Head



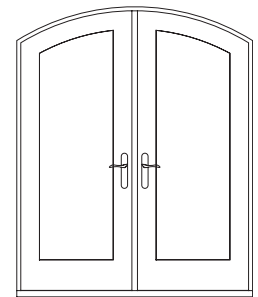
Partial Springline



Partial Arch Head



Shape 3 Full Springline



Shape 12 Full Arch Head

(1) Available within size range shown.

(2) Rectangular Units Only

Keep frame dimensions to the nearest 1/8" increment.



IN-SWING DOOR

DESIGN DATA

Wood and Aluminum-Clad Wood

6' 7-1/2" and 6' 8"



IN-SWING FRENCH DESIGN DATA

Unit	Single and Double Doors	Clear Opening (Inches) ¹				Vent Area (Standard Sill)	Vent Area (ADA Sill)	Visible Glass Ft ²	Standard Glass Thickness (mm) Tempered		Performance Class & Grade ²
		Width (Inches) (172°)	Width (Inches) (90°)	Standard Sill Unit Height	ADA Sill Unit Height				Dual-Pane Glazing	Triple-Pane Glazing	
2680	F	-	-	-	-	-	-	6.1	3	3	LC55
3080	F	-	-	-	-	-	-	8.1	3	3	LC55
3480	F	-	-	-	-	-	-	9.7	3	3	LC55
3680	F	-	-	-	-	-	-	10.8	3	3	LC55
3880	F	-	-	-	-	-	-	11.6	3	3	LC55
2680	L/R	22-5/16	20-1/16	76-7/16	77-1/2	11.8	12.0	6.1	3	3	LC55
3080	L/R	26-15/16	24-11/16	76-7/16	77-1/2	14.3	14.5	8.1	3	3	LC55
3480	L/R	30-7/16	28-3/16	76-7/16	77-1/2	16.2	16.4	9.7	3	3	LC55
3680	L/R	32-15/16	30-11/16	76-7/16	77-1/2	17.5	17.7	10.8	3	3	LC55
3880	L/R	34-13/16	32-9/16	76-7/16	77-1/2	18.5	18.7	11.6	3	3	LC55
5080	FA/AF	22-5/16	20-1/16	76-7/16	77-1/2	11.8	12.0	12.2	3	3	LC55
6080	FA/AF	26-15/16	24-11/16	76-7/16	77-1/2	14.3	14.5	16.3	3	3	LC55
6780	FA/AF	30-7/16	28-3/16	76-7/16	77-1/2	16.2	16.4	19.4	3	3	LC55
7280	FA/AF	32-15/16	30-11/16	76-7/16	77-1/2	17.5	17.7	21.6	3	3	LC55
7580	FA/AF	34-13/16	32-9/16	76-7/16	77-1/2	18.5	18.7	23.2	3	3	LC55
5080	PA/AP	47/ 22-1/4	42-1/2/ 20	76-7/16	77-1/2	25.0	25.3	12.2	3	3	LC55
6080	PA/AP	56-1/4/ 26-7/8	51-3/4 / 24-5/8	76-7/16	77-1/2	29.9	30.3	16.3	3	3	LC55
6780	PA/AP	63-1/4/ 30-7/8	58-3/4/ 28-5/8	76-7/16	77-1/2	33.6	34.0	19.4	3	3	LC55
7280	PA/AP	68-1/4/ 32-7/8	63-3/4 / 30-5/8	76-7/16	77-1/2	36.2	36.7	21.6	3	3	LC55
7580	PA/AP	72 / 34-3/4	67-1/2 / 32-1/2	76-7/16	77-1/2	38.2	38.8	23.2	3	3	LC55
2681	F	-	-	-	-	-	-	6.2	3	3	LC55
3081	F	-	-	-	-	-	-	8.2	3	3	LC55
3481	F	-	-	-	-	-	-	9.8	3	3	LC55
3681	F	-	-	-	-	-	-	10.9	3	3	LC55
3881	F	-	-	-	-	-	-	11.7	3	3	LC55
2681	L/R	22-5/16	20-1/16	77-1/16	78-1/8	11.9	12.1	6.2	3	3	LC55
3081	L/R	26-15/16	24-11/16	77-1/16	78-1/8	14.4	14.6	8.2	3	3	LC55
3481	L/R	30-7/16	28-3/16	77-1/16	78-1/8	16.3	16.5	9.8	3	3	LC55
3681	L/R	32-15/16	30-11/16	77-1/16	78-1/8	17.6	17.9	10.9	3	3	LC55
3881	L/R	34-13/16	32-9/16	77-1/16	78-1/8	18.6	18.9	11.7	3	3	LC55
5081	FA / AF	22-5/16	20-1/16	77-1/16	78-1/8	11.9	12.1	12.3	3	3	LC55
6081	FA / AF	26-15/16	24-11/16	77-1/16	78-1/8	14.4	14.6	16.4	3	3	LC55
6781	FA / AF	30-7/16	28-3/16	77-1/16	78-1/8	16.3	16.5	19.6	3	3	LC55
7281	FA / AF	32-15/16	30-11/16	77-1/16	78-1/8	17.6	17.9	21.8	3	3	LC55
7581	FA / AF	34-13/16	32-9/16	77-1/16	78-1/8	18.6	18.9	23.5	3	3	LC55
5081	PA/AP	47/ 22-1/4	42-1/2/ 20	77-1/16	78-1/8	25.2	25.5	12.3	3	3	LC55
6081	PA/AP	56-1/4/ 26-7/8	51-3/4 / 24-5/8	77-1/16	78-1/8	30.1	30.5	16.4	3	3	LC55
6781	PA/AP	63-1/4/ 30-7/8	58-3/4/ 28-5/8	77-1/16	78-1/8	33.9	34.3	19.6	3	3	LC55
7281	PA/AP	68-1/4/ 32-7/8	63-3/4 / 30-5/8	77-1/16	78-1/8	36.5	37.0	21.8	3	3	LC55
7581	PA/AP	72 / 34-3/4	67-1/2 / 32-1/2	77-1/16	78-1/8	38.5	39.1	23.5	3	3	LC55

(-) = Not Applicable

(1) All dimensions are approximate to the nearest 1/16". The second value, where shown, provides the clear opening for the active panel only.

(2) Maximum performance when glazed with the appropriate glass thickness. All doors and sidelights are Tempered glass.

To convert areas to square meters (m²), multiply square feet by 0.0929.



IN-SWING DOOR

DESIGN DATA

Wood and Aluminum-Clad Wood

6' 10" and 7' 2"



IN-SWING FRENCH DESIGN DATA

Unit	Single and Double Doors	Clear Opening (Inches) ¹				Vent Area (Standard Sill)	Vent Area (ADA Sill)	Visible Glass Ft ²	Standard Glass Thickness (mm) Tempered		Performance Class & Grade ²	
		Width (Inches) (172°)	Width (Inches) (90°)	Standard Sill Unit Height	ADA Sill Unit Height				Dual-Pane Glazing	Triple-Pane Glazing		
2682	F	-	-	-	-	-	-	6.3	3	3	LC55	
3082	F	-	-	-	-	-	-	8.4	3	3	LC55	
3482	F	-	-	-	-	-	-	9.8	3	3	LC55	
3682	F	-	-	-	-	-	-	11.1	3	3	LC55	
3882	F	-	-	-	-	-	-	12.0	3	3	LC55	
6' 10" DOORS	2682	L/R	22-5/16	20-1/16	78-7/16	79-1/2	12.2	12.3	6.3	3	3	LC55
	3082	L/R	26-15/16	24-11/16	78-7/16	79-1/2	14.7	14.9	8.4	3	3	LC55
	3482	L/R	30-7/16	28-3/16	78-7/16	79-1/2	16.6	16.8	9.8	3	3	LC55
	3682	L/R	32-15/16	30-11/16	78-7/16	79-1/2	17.9	18.2	11.1	3	3	LC55
	3882	L/R	34-13/16	32-9/16	78-7/16	79-1/2	19.0	19.2	12.0	3	3	LC55
	5082	FA / AF	22-5/16	20-1/16	78-7/16	79-1/2	12.2	12.3	12.6	3	3	LC55
	6082	FA / AF	26-15/16	24-11/16	78-7/16	79-1/2	14.7	14.9	16.8	3	3	LC55
	6782	FA / AF	30-7/16	28-3/16	78-7/16	79-1/2	16.6	16.8	19.6	3	3	LC55
	7282	FA / AF	32-15/16	30-11/16	78-7/16	79-1/2	17.9	18.2	22.3	3	3	LC55
	7582	FA / AF	34-13/16	32-9/16	78-7/16	79-1/2	19.0	19.2	24.0	3	3	LC55
	5082	PA/AP	47/ 22-1/4	42-1/2/ 20	78-7/16	79-1/2	25.6	26.0	12.6	3	3	LC55
	6082	PA/AP	56-1/4/ 26-7/8	51-3/4 / 24-5/8	78-7/16	79-1/2	30.6	31.1	16.8	3	3	LC55
	6782	PA/AP	63-1/4/ 30-7/8	58-3/4/ 28-5/8	78-7/16	79-1/2	34.5	34.9	19.6	3	3	LC55
	7282	PA/AP	68-1/4/ 32-7/8	63-3/4 / 30-5/8	78-7/16	79-1/2	37.2	37.7	22.3	3	3	LC55
	7582	PA/AP	72 / 34-3/4	67-1/2 / 32-1/2	78-7/16	79-1/2	39.2	39.8	24.0	3	3	LC55
7' 2" DOORS	2686	F	-	-	-	-	-	-	6.7	3	3	LC55
	3086	F	-	-	-	-	-	-	9.0	3	3	LC55
	3486	F	-	-	-	-	-	-	10.7	3	3	LC55
	3686	F	-	-	-	-	-	-	11.9	3	3	LC55
	3886	F	-	-	-	-	-	-	12.8	3	3	LC55
	2686	L/R	22-5/16	20-1/16	82-15/16	84	12.9	13.0	6.7	3	3	LC55
	3086	L/R	26-15/16	24-11/16	82-15/16	84	15.5	15.7	9.0	3	3	LC55
	3486	L/R	30-7/16	28-3/16	82-15/16	84	17.5	17.8	10.7	3	3	LC55
	3686	L/R	32-15/16	30-11/16	82-15/16	84	19.0	19.2	11.9	3	3	LC55
	3886	L/R	34-13/16	32-9/16	82-15/16	84	20.1	20.3	12.8	3	3	LC55
	5086	FA / AF	22-5/16	20-1/16	82-15/16	84	12.9	13.0	13.4	3	3	LC55
	6086	FA / AF	26-15/16	24-11/16	82-15/16	84	15.5	15.7	17.9	3	3	LC55
	6786	FA / AF	30-7/16	28-3/16	82-15/16	84	17.5	17.8	21.3	3	3	LC55
	7286	FA / AF	32-15/16	30-11/16	82-15/16	84	19.0	19.2	23.8	3	3	LC55
	7586	FA / AF	34-13/16	32-9/16	82-15/16	84	20.1	20.3	25.6	3	3	LC55
5086	PA/AP	47/ 22-1/4	42-1/2/ 20	82-15/16	84	27.1	27.4	13.4	3	3	LC55	
6086	PA/AP	56-1/4/ 26-7/8	51-3/4 / 24-5/8	82-15/16	84	32.4	32.8	17.9	3	3	LC55	
6786	PA/AP	63-1/4/ 30-7/8	58-3/4/ 28-5/8	82-15/16	84	36.4	36.9	21.3	3	3	LC55	
7286	PA/AP	68-1/4/ 32-7/8	63-3/4 / 30-5/8	82-15/16	84	39.3	39.8	23.8	3	3	LC55	
7586	PA/AP	72 / 34-3/4	67-1/2 / 32-1/2	82-15/16	84	41.5	42.0	25.6	3	3	LC55	

(-) = Not Applicable

(1) All dimensions are approximate to the nearest 1/16". The second value, where shown, provides the clear opening for the active panel only.

(2) Maximum performance when glazed with the appropriate glass thickness. All doors and sidelights are Tempered glass.

To convert areas to square meters (m²), multiply square feet by 0.0929.



IN-SWING DOOR

DESIGN DATA

Wood and Aluminum-Clad Wood
8' 0", 10' 0" and Sidelights



IN-SWING FRENCH DESIGN DATA

Unit	Single and Double Doors	Clear Opening (Inches) ₁				Vent Area (Standard Sill)	Vent Area (ADA Sill)	Visible Glass Ft ²	Standard Glass Thickness (mm) Tempered		Performance Class & Grade ₂
		Width (Inches) (172°)	Width (Inches) (90°)	Standard Sill Unit Height	ADA Sill Unit Height				Dual-Pane Glazing	Triple-Pane Glazing	
2696	F	–	–	–	–	–	–	7.6	3	3	LC55
3096	F	–	–	–	–	–	–	10.2	3	3	LC55
3496	F	–	–	–	–	–	–	12.1	3	3	LC55
3696	F	–	–	–	–	–	–	13.5	3	3	LC55
3896	F	–	–	–	–	–	–	14.5	3	3	LC55
2696	L/R	22-5/16	20-1/16	92-7/16	93-1/2	14.3	14.5	7.6	3	3	LC55
3096	L/R	26-15/16	24-11/16	92-7/16	93-1/2	17.3	17.5	10.2	3	3	LC55
3496	L/R	30-7/16	28-3/16	92-7/16	93-1/2	19.5	19.8	12.1	3	3	LC55
3696	L/R	32-15/16	30-11/16	92-7/16	93-1/2	21.1	21.4	13.5	3	3	LC55
3896	L/R	34-13/16	32-9/16	92-7/16	93-1/2	22.4	22.6	14.5	3	3	LC55
5096	FA / AF	22-5/16	20-1/16	92-7/16	93-1/2	14.3	14.5	15.2	3	3	LC55
6096	FA / AF	26-15/16	24-11/16	92-7/16	93-1/2	17.3	17.5	20.4	3	3	LC55
6796	FA / AF	30-7/16	28-3/16	92-7/16	93-1/2	19.5	19.8	24.2	3	3	LC55
7296	FA / AF	32-15/16	30-11/16	92-7/16	93-1/2	21.1	21.4	27.0	3	3	LC55
7596	FA / AF	34-13/16	32-9/16	92-7/16	93-1/2	22.4	22.6	29.1	3	3	LC55
5096	PA/AP	47 / 22-1/4	42-1/2 / 20	92-7/16	93-1/2	30.2	30.5	15.2	3	3	LC55
6096	PA/AP	56-1/4 / 26-7/8	51-3/4 / 24-5/8	92-7/16	93-1/2	36.1	36.5	20.4	3	3	LC55
6796	PA/AP	63-1/4 / 30-7/8	58-3/4 / 28-5/8	92-7/16	93-1/2	40.6	41.1	24.2	3	3	LC55
7296	PA/AP	68-1/4 / 32-7/8	63-3/4 / 30-5/8	92-7/16	93-1/2	43.8	44.3	27.0	3	3	LC55
7596	PA/AP	72 / 34-3/4	67-1/2 / 32-1/2	92-7/16	93-1/2	46.2	46.8	29.1	3	3	LC55
26120	F	–	–	–	–	–	–	9.9	5	–	LC55
30120	F	–	–	–	–	–	–	13.2	5	–	LC55
34120	F	–	–	–	–	–	–	15.8	5	–	LC55
36120	F	–	–	–	–	–	–	17.6	5	–	LC55
38120	F	–	–	–	–	–	–	18.9	5	–	LC55
26120	L/R	22-5/16	20-1/16	116-7/16	117-1/2	18.0	18.2	9.9	5	–	LC40
30120	L/R	26-15/16	24-11/16	116-7/16	117-1/2	21.8	22.0	13.2	5	–	LC40
34120	L/R	30-7/16	28-3/16	116-7/16	117-1/2	24.6	24.8	15.8	5	–	LC40
36120	L/R	32-15/16	30-11/16	116-7/16	117-1/2	26.6	26.9	17.6	5	–	LC40
38120	L/R	34-13/16	32-9/16	116-7/16	117-1/2	28.2	28.4	18.9	5	–	LC40
50120	PA/AP	47 / 22-1/4	42-1/2 / 20	116-7/16	117-1/2	38.0	38.4	19.8	5	–	LC40
60120	PA/AP	56-1/4 / 26-7/8	51-3/4 / 24-5/8	116-7/16	117-1/2	45.5	45.9	26.5	5	–	LC40
67120	PA/AP	63-1/4 / 30-7/8	58-3/4 / 28-5/8	116-7/16	117-1/2	51.1	51.6	31.5	5	–	LC40
72120	PA/AP	68-1/4 / 32-7/8	63-3/4 / 30-5/8	116-7/16	117-1/2	55.2	55.7	35.1	5	–	LC40
75120	PA/AP	72 / 34-3/4	67-1/2 / 32-1/2	116-7/16	117-1/2	58.2	58.8	37.8	5	–	LC40

SIDELIGHTS

Unit	Visible Glass Ft ²	Standard Glass Thickness (mm) Tempered		Performance Class & Grade
		Dual-Pane Glazing	Triple-Pane Glazing	
1880	5	3	3	LC55
1881	5.1	3	3	LC55
1882	5.2	3	3	LC55
1886	5.5	3	3	LC55
1896	6.3	3	3	LC55

(–) = Not Applicable

(1) All dimensions are approximate to the nearest 1/16". The second value, where shown, provides the clear opening for the active panel only.

(2) Maximum performance when glazed with the appropriate glass thickness. All doors and sidelights are Tempered glass.

To convert areas to square meters (m²), multiply square feet by 0.0929.



IN-SWING DOOR

DESIGN DATA

Wood and Aluminum-Clad Wood Transoms



TRANSOMS

Unit	Visible Glass Ft ²	Standard Glass Thickness (mm)			Performance Class & Grade ₂
		Dual-Pane Glazing		Triple-Pane Glazing	
		Annealed	Tempered	Annealed or Tempered	
2614	1.7	3	3	3	CW50
2617	2.1	3	3	3	CW50
2625	3.3	3	3	3	CW50
3014	2.0	3	3	3	CW50
3017	2.6	3	3	3	CW50
3025	4.0	3	3	3	CW50
3414	2.3	3	3	3	CW50
3417	2.9	3	3	3	CW50
3425	4.6	3	3	3	CW50
3614	2.4	3	3	3	CW50
3617	3.1	3	3	3	CW50
3625	4.9	3	3	3	CW50
3814	2.6	3	3	3	CW50
3817	3.3	3	3	3	CW50
3825	5.2	3	3	3	CW50
5014	3.5	3	3	3	CW50
5017	4.5	3	3	3	CW50
5025	7.1	3	3	3	CW50
6014	4.2	3	3	3	CW50
6017	5.3	3	3	3	CW50
6025	8.5	3	3	3	CW50
6714	4.7	3	3	3	CW40
6717	6.0	3	3	3	CW40
6725	9.5	3	3	3	CW40
7214T	5.1	–	3	3	CW40
7217	6.5	3	3	3	CW40
7225	10.3	3	3	3	CW40
7514T	5.4	–	3	3	CW40
7517T	6.8	–	3	3	CW40
7525	10.8	3	3	3	CW40
2614	1.1	2.5	3	3	CW50
2617	1.5	2.5	3	3	CW50
2625	2.6	2.5	3	3	CW50
3014	1.4	2.5	3	3	CW50
3017	1.9	2.5	3	3	CW50
3025	3.2	2.5	3	3	CW50
3414	1.6	2.5	3	3	CW50
3417	2.2	2.5	3	3	CW50
3425	3.7	2.5	3	3	CW50
3614	1.7	2.5	3	3	CW50
3617	2.4	2.5	3	3	CW50
3625	4.0	2.5	3	3	CW50
3814	1.8	2.5	3	3	CW50
3817	2.5	2.5	3	3	CW50
3825	4.3	2.5	3	3	CW50
5014	2.5	2.5	3	3	CW50
5017	3.5	2.5	3	3	CW50
5025	5.9	2.5	3	3	CW50
6014T	3.1	–	3	3	CW50
6017	4.2	2.5	3	3	CW50
6025	7.2	2.5	3	3	CW45/CW50
6714T	3.5	–	3	3	R15 ₁
6717	4.7	2.5	3	3	R15 ₁
6725	8.1	2.5	3	3	R15 ₁
7214T	3.8	–	3	3	R15 ₁
7217T	5.1	–	3	3	R15 ₁
7225	8.8	2.5	3	3	R15 ₁
7514T	4.0	–	3	3	R15 ₁
7517T	5.4	–	3	3	R15 ₁
7525	9.3	2.5	3	3	R15 ₁

TRANSOMS – FIXED FRAME DIRECT SET

TRANSOMS – STANDARD STILE

TRANSOMS

Unit	Visible Glass Ft ²	Standard Glass Thickness (mm)			Performance Class & Grade ₂
		Dual-Pane Glazing		Triple-Pane Glazing	
		Annealed	Tempered	Annealed or Tempered	
2614	0.8	2.5	3	3	R15 ₁
2617	1.1	2.5	3	3	R15 ₁
2625	1.8	2.5	3	3	R15 ₁
3014	1.1	2.5	3	3	R15 ₁
3017	1.4	2.5	3	3	R15 ₁
3025	2.5	2.5	3	3	R15 ₁
3414	1.3	2.5	3	3	R15 ₁
3417	1.7	2.5	3	3	R15 ₁
3425	2.9	2.5	3	3	R15 ₁
3614	1.4	2.5	3	3	R15 ₁
3617	1.9	2.5	3	3	R15 ₁
3625	3.3	2.5	3	3	R15 ₁
3814	1.5	2.5	3	3	R15 ₁
3817	2.1	2.5	3	3	R15 ₁
3825	3.5	2.5	3	3	R15 ₁
5014	2.2	2.5	3	3	R15 ₁
5017	3.0	2.5	3	3	R15 ₁
5025	5.1	2.5	3	3	R15 ₁
6014T	2.7	–	3	3	R15 ₁
6017	3.7	2.5	3	3	R15 ₁
6025	6.4	2.5	3	3	R15 ₁
6714T	3.1	–	3	3	R15 ₁
6717T	4.3	–	3	3	R15 ₁
6725	7.3	2.5	3	3	R15 ₁
7214T	3.4	–	3	3	R15 ₁
7217T	4.7	–	3	3	R15 ₁
7225	8.0	2.5	3	3	R15 ₁
7514T	3.6	–	3	3	R15 ₁
7517T	5.0	–	3	3	R15 ₁
7525	8.5	2.5	3	3	R15 ₁

TRANSOMS – WIDE STILE

(–) = Not Applicable

T = Tempered required due to aspect ratio.

(1) Units are not AAMA/WDMA performance certified. Units are engineered to meet the performance class and grade shown.

(2) Maximum performance when glazed with the appropriate glass thickness.



IN-SWING DOOR

DESIGN DATA

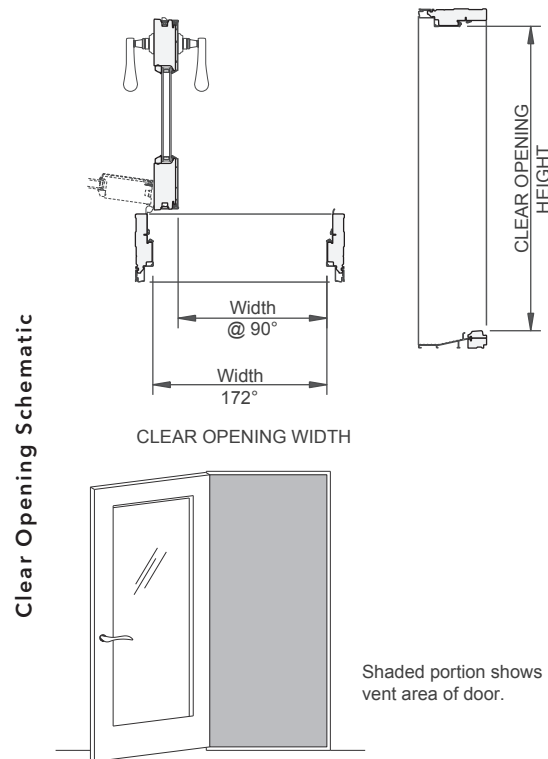
Wood and Aluminum-Clad Wood



Miscellaneous Formulas

	VISIBLE GLASS	ACTUAL GLASS
DOORS	Width (Single Door) = Frame - 11-5/8" Width (Double Door) = (Frame Width / 2) - 11-1/4" Height = Frame - 15-3/4"	Width (Single Door) = Frame - 10-5/8" Width (Double Door) = (Frame Width / 2) - 10-1/4" Height = Frame - 14-3/4"
TRANSOMS – FIXED FRAME DIRECT SET	Width = Frame - 3-1/4" Height = Frame - 3-1/4"	Width = Frame - 2" Height = Frame - 2"
TRANSOMS – FIXED CASEMENT	Width = Frame - 5-3/4" Height = Frame - 5-3/4"	Width = Frame - 4-3/8" Height = Frame - 4-3/8"
TRANSOMS – WIDE STILE CASEMENT	Width = Frame - 11-5/8" Height = Frame - 5-3/4"	Width = Frame - 10-1/4" Height = Frame - 4-3/8"
SIDELIGHTS	Width = Frame - 6-5/8" Height = Frame - 15-3/4"	Width = Frame - 5-5/8" Height = Frame - 14-3/4"

	CLAD AND WOOD	
	WIDTH	HEIGHT
CLEAR OPENING (@ 90°)	Width (Double Door–Active Panel) = (Frame / 2) - 5" Width (Double Door–Both Panels) = Frame - 7-1/2" Width (Single Door) = Frame - 5-5/16"	Height = Frame - 3-1/16"
CLEAR OPENING (@ 172°)	Width (Double Door–Active Panel) = (Frame Width / 2) - 2-3/4" Width (Double Door–Both Panels) = Frame - 3" Width (Single Door) = Frame - 3-3/16"	Height = Frame - 3-1/16"



To convert areas to square meters (m²), multiply square feet by 0.0929.



IN-SWING DOOR

DETAILED PRODUCT DESCRIPTIONS

Aluminum-Clad Wood



FRAME

- Select softwood, immersion treated with Pella's EnduraGuard® wood protection formula in accordance with WDMA I.S.-4. The EnduraGuard formula includes three active ingredients for protection against the effects of moisture, decay, stains from mold and mildew. Plus, an additional ingredient adds protection against termite damage.
- Interior exposed surfaces are [pine] [mahogany] [alder] [douglas fir], edge-banded and veneered. Any curved member may have visible finger-jointed surfaces.
- Exterior surfaces are clad with aluminum at the head and jambs.
- Frame depth between 5-7/8" (149mm) to 8-5/8" (219mm), for wall depth between 4-9/16" (116mm) to 7-5/16" (186mm).
- Optional factory-applied EnduraClad® exterior trim.
- Solid extruded aluminum sill with [brown EnduraClad] [mill] [satin nickel anodized] [bronze anodized] finish. [mahogany threshold for mahogany door] [oak threshold for [pine] [alder] [douglas fir] door].
- or -
- Sill is 1/2" low profile. Material and finish are extruded aluminum with [mill] [Bronze anodized] finish.

DOOR PANELS

- Select softwood, immersion treated with Pella's EnduraGuard® wood protection formula in accordance with WDMA I.S.-4. The EnduraGuard formula includes three active ingredients for protection against the effects of moisture, decay, stains from mold and mildew. Plus, an additional ingredient adds protection against termite damage.
- Interior exposed surfaces are veneered with [pine] [mahogany] [alder] [douglas fir]. Any curved member may have visible finger-jointed surfaces.
- Exterior surfaces are clad with aluminum.
- Panel hinge stiles and both rails are three-ply construction, randomly finger-jointed blocks laminated with water-resistant glue and veneered on both sides.
- Panel lock stiles are constructed with LVL core with finger-jointed edge bands on both sides and veneered on both faces.
- Corners are urethane-silicone hybrid-sealed and secured with metal fasteners.
- Panel thickness is 2-1/16" (52mm).

WEATHERSTRIPPING

- Dual-durometer extruded polymer along perimeter of door frames and along the bottom of door panels.

GLAZING SYSTEM

- Quality fully-tempered float glass complying with ASTM C 1048.
- Urethane-glazed 13/16" dual-seal insulating glass [clear] [obscure] [[Advanced Low-E with argon] [SunDefense™ Low-E with argon] [AdvancedComfort Low-E with argon] [NaturalSun Low-E with argon]] [bronze] [gray] [green] Advanced Low-E with argon].
- Custom and high altitude Glazing available.
- or -
- Silicone-glazed 1" triple-seal insulating glass [[annealed] [tempered]] [[Advanced Low-E with argon] [Advanced Low-E with krypton] [SunDefense™ Low-E with argon] [SunDefense™ Low-E with krypton] [NaturalSun Low-E with argon] [NaturalSun Low-E with krypton]].
- or -
- Impact-Resistant
 - Urethane-glazed 7/8" dual-seal impact-resistant insulating glass 1 PVB. Laminated clear exterior light. Tempered interior light is [Advanced Low-E] [clear] [bronze] [gray] [green].
- or -
 - Urethane-glazed 9/16" PVB laminated glass [clear] [bronze] [gray] [green].

EXTERIOR

- Aluminum clad exteriors shall be finished with EnduraClad® protective finish, in a multi-step, baked-on finish.
- Color is [White] [Tan] [Brown] [Putty] [Feature 1] [Custom 1].
- or -
- Aluminum clad exteriors shall be finished with EnduraClad Plus protective finish with 70% fluoropolymer resin in a multi-step, baked-on finish.
- Color is [White] [Tan] [Brown] [Putty] [Feature 1] [Custom 1].

INTERIOR

- [Unfinished, ready for site finishing] [factory primed with one coat acrylic latex] [factory prefinished [White] [Linen White] [Bright White] [stain 1]].

HARDWARE

Hinges

- Hinges are adjustable to help with installation.
- Doors under 7' 0" frame height will have three (3) hinges per panel.
- Doors over 7' 0" frame height up to and including 8' 0" frame height will have four (4) hinges per panel.
- Doors over 8' 3" frame height up to and including 9' 0" frame height will have five (5) hinges per panel.
- Doors over 9' 0" frame height will have six (6) hinges per panel.

Locks

- Mortised and keyed multi-point locking system, center deadbolt and shoot-bolts at head and sill will engage simultaneously.
- Doors 8' 0" frame height and below will have one (1) strike at the head, one (1) strike at the sill and one (1) center deadbolt.
- Doors over 8' 0" frame height up to and including 10' 0" frame height will have one (1) strike at the head, one (1) strike at the sill and three (3) locking points at the stile.
- Solid brass handles and keylock with Schlage® configured C-K keyway pinlock cylinder.
- Key cylinder finish is [Brass] [Oil-Rubbed Bronze] [Stainless Steel].

Finish

- Hardware finish (Handle, Hinges and Strike) is [Brass] [Satin Nickel] [baked enamel Brown] [Antique Brass] [Chrome] [Oil-Rubbed Bronze].
- Brass and Satin Nickel handle finish is a PVD High Performance finish.

OPTIONAL PRODUCTS

Grilles

- Integral Light Technology® grilles
 - Interior grilles are [5/8" [putty] [ogee] profile] [7/8" [putty] [ogee] profile] [1-1/4" [putty] [ogee] profile] [2" ogee profile] that are solid [Pine] [Mahogany] [Alder] [Douglas Fir]. Interior surfaces are [unfinished, ready for site finishing] [factory primed] [pine: factory prefinished [White] [Linen White] [Bright White] [stain 1]].
 - Exterior grilles are [5/8" putty profile] [7/8" [putty] [ogee] profile] [1-1/4" [putty] [ogee] profile] [2" ogee profile] that are extruded aluminum to match window cladding.
 - Patterns are [Traditional] [Prairie] [Top Row] [Cross] [New England] [Victorian].
 - Insulating glass contains non-glare spacer between the panes of glass.
 - Grilles are adhered to both sides of the insulating glass with VHB acrylic adhesive tape and aligned with the non-glare spacers.
- or -
- Grilles-Between-the-Glass 2
 - Insulating glass contains 3/4" contoured aluminum grilles permanently installed between two panes of glass (exterior air-space on triple-pane insulating glass).
 - Patterns are [Traditional] [Prairie] [Cross] [Top Row].
 - Interior color is [White] [Tan 3] [Brown 3] [Putty 3] [Ivory] [Brickstone] [Harvest] [Cordovan].
 - Exterior color 4 is [White] [Tan] [Brown] [Putty] [feature 1].
- or -
- Removable Grilles
 - [[3/4"] [1-1/4"] [2"] Regular] [[1-1/4"] [2"] Colonial] profile. [Traditional] [Prairie] patterns that are removable solid pine wood bars steel-pinned at joints and fitted to sash with steel clips and tacks.
 - Interior [unfinished, ready for site finishing] [factory primed] [pine: factory prefinished [White] [Linen White] [Bright White] [stain 1]].
 - Exterior [unfinished, ready for site finishing] [factory primed] [finish color matched to exterior cladding 4].

Screens

- Finish matches exterior cladding.
- Hinged Insect Screens:
 - Compliance: ASTM D 3656 and SMA 1201.
 - Screen Cloth: InView™ Vinyl-coated fiberglass, 18/18 mesh fiberglass screen cloth complying SMA 1201.
 - Extruded-aluminum frame, hinged to door frame.
 - Complete with necessary hardware.
 - Hardware Color: [White] [Tan] [Brown].
- or -
- Exterior Sliding Insect Screens:
 - Compliance: ASTM D 3656 and SMA 1201.
 - Screen Cloth: InView™ Vinyl-coated fiberglass, 18/18 mesh fiberglass screen cloth complying SMA 1201.
 - Extruded-aluminum frame, top hung on two (2) adjustable nylon rollers.
 - Complete with necessary hardware.
 - Hardware Color: [White] [Tan] [Brown].

(1) Contact your local Pella sales representative for current color options.

(2) Available in clear or Low-E insulating glass only. White exterior grille color is the only option available for clear insulating glass.

(3) Tan, Brown or Putty Interior GBG colors are available in single-tone (Brown/Brown, Tan/Tan or Putty/Putty). Other interior colors are also available with Tan or Brown exterior.

(4) Appearance of exterior grille color will vary depending on Low-E coating on glass.

Schlage is a registered trademark of Schlage Lock Company.



IN-SWING DOOR

DETAILED PRODUCT DESCRIPTIONS

Wood Exterior



FRAME

- Select softwood, immersion treated with Pella's EnduraGuard® wood protection formula in accordance with WDMA I.S.-4. The EnduraGuard formula includes three active ingredients for protection against the effects of moisture, decay, stains from mold and mildew. Plus, an additional ingredient adds protection against termite damage.
- Interior surfaces are [pine: [factory primed] [ready to stain]] [mahogany: [factory primed] [ready to stain]] edge-banded and veneered.
- Exterior surfaces are [pine: factory primed] [mahogany: [factory primed] [ready to stain]].
- Any exterior or curved member may have visible finger-jointed surfaces.
- Solid extruded aluminum sill with [Brown EnduraClad®] [Mill] [Nickel anodized] [Bronze anodized] finish. [mahogany threshold for mahogany door] [oak threshold for pine door].
- or -
- Sill is 1/2" low profile. Material and finish are extruded aluminum with [mill] [Bronze anodized] finish.
- Frame depth between 5-7/8" (149mm) to 8-9/16" (217mm), for a wall depth between 4-9/16" (116mm) to 7.25" (184mm).

DOOR PANELS

- Select softwood, immersion treated with Pella's EnduraGuard® wood protection formula in accordance with WDMA I.S.-4. The EnduraGuard formula includes three active ingredients for protection against the effects of moisture, decay, stains from mold and mildew. Plus, an additional ingredient adds protection against termite damage.
- Interior exposed surfaces are veneered with [Pine] [Mahogany]. Any curved member may have visible finger-jointed surfaces.
- Exterior surfaces are [wood composite: factory primed] [mahogany: [factory primed] [ready to stain]].
- Panel stiles and rails are five-ply construction, randomly finger-jointed blocks laminated with water-resistant glue and veneered on both sides.
- Corners are urethane-silicone hybrid-sealed and secured with metal fasteners.
- Panel thickness is 2-1/16" (52mm).

WEATHERSTRIPPING

- Dual-durometer extruded polymer along perimeter of door frames and bottom of door panels.

GLAZING SYSTEM

- Quality fully-tempered float glass complying with ASTM C 1048.
- Urethane-glazed 13/16" dual-seal insulating glass [obscure] [[clear] [[Advanced] [SunDefense™] [AdvancedComfort] [NaturalSun] Low-E coated, with argon] [[bronze] [gray] [green] Advanced Low-E coated, with argon]].
- Custom and high altitude Glazing available.
- or -
- Silicone-glazed 1" triple-seal insulating glass [[annealed] [tempered]] [[Advanced Low-E with argon] [Advanced Low-E with krypton] [SunDefense™ Low-E with argon] [SunDefense™ Low-E with krypton] [NaturalSun Low-E with argon] [NaturalSun Low-E with krypton]].
- or -
- Impact-Resistant
 - Urethane-glazed 7/8" dual-seal impact-resistant insulating glass 1" PVB. Laminated clear exterior light. Tempered interior light is [Advanced Low-E coated] [clear] [bronze] [gray] [green].

EXTERIOR

- [Wood composite: factory primed with one coat acrylic latex] [Mahogany [factory primed with one coat acrylic latex] [Unfinished, ready for site finishing]].

INTERIOR

- [Unfinished, ready for site finishing] [factory primed with one coat acrylic latex] [factory prefinished [White] [Linen White] [Bright White] [stain₃]].

HARDWARE

Hinges

- Hinges are adjustable to help with installation.
- Doors 6' 10" to 7' 0" frame height will have three (3) hinges per panel.
- Doors over 7' 0" frame height up to and including 8' 0" frame height will have four (4) hinges per panel.
- Doors over 8' 3" frame height up to and including 9' 0" frame height will have five (5) hinges per panel.
- Doors over 9' 0" frame height will have six (6) hinges per panel.

Locks

- Mortised and keyed multi-point locking system, center deadbolt and shoot-bolts at head and sill will engage simultaneously.
- Doors 8' 0" frame height and below will have one (1) strike at the head, one (1) strike at the sill and one (1) center deadbolt.
- Doors over 8' 0" frame height up to and including 10' 0" frame height will have one (1) strike at the head, one (1) strike at the sill and three (3) locking points at the stile.
- Solid brass handles and keylock with Schlage® configured C-K keyway pinlock cylinder.
- Key cylinder finish is [Brass] [Oil-Rubbed Bronze] [Stainless Steel].

Finish

- Hardware finish (Handle, Hinges and Strike) is [Brass] [Satin Nickel] [baked enamel Brown] [Antique Brass] [Chrome] [Oil-Rubbed Bronze].
- Brass and Satin Nickel handle finish is a PVD High Performance finish.

OPTIONAL PRODUCTS

Grilles

- Integral Light Technology® grilles
 - Interior grilles are [5/8" [putty] [ogee] profile] [7/8" [putty] [ogee] profile] [1-1/4" [putty] [ogee] profile] [2" ogee profile] that are solid [pine] [mahogany]. Interior surfaces are [unfinished, ready for site finishing] [factory primed] [pine: factory prefinished [White] [Linen White] [Bright White] [stain₃]].
 - Exterior grilles are [5/8" putty profile] [7/8" [putty] [ogee] profile] [1-1/4" [putty] [ogee] profile] [2" ogee profile] that are solid [pine] [mahogany]. Exterior surfaces are water repellent, preservative-treated in accordance with WDMA I.S.-4, and are factory primed.
 - Patterns are [Traditional] [Prairie] [Top Row] [Cross] [New England] [Victorian].
 - Insulating glass contains non-glare spacer between the panes of glass.
 - Grilles are adhered to both sides of the insulating glass with VHB acrylic adhesive tape and aligned with spacers.
- or -
- Grilles-Between-the-Glass₁
 - Insulating glass contains 3/4" contoured aluminum grilles permanently installed between two panes of glass (exterior air-space on triple-pane insulating glass).
 - Patterns are [Traditional] [Prairie] [Cross] [Top Row]
 - Interior color is [White] [Tan₂] [Brown₂] [Putty₂] [Ivory] [Brickstone] [Harvest] [Cordovan].
 - Exterior color₄ is [White] [Tan] [Brown] [Putty] [Feature₃].
- or -
- Removable Grilles
 - [[3/4"] [1-1/4"] [2"] Regular] [[1-1/4"] [2"] Colonial] profile. [Traditional] [Prairie] patterns that are removable solid pine wood bars steel-pinned at joints and fitted to sash with steel clips and tacks.
 - Interior [unfinished, ready for site finishing] [factory primed] [pine: factory prefinished [White] [Linen White] [Bright White] [stain₃]].
 - Exterior [unfinished, ready for site finishing] [factory primed] [finish color matched to exterior cladding₄].

(1) Available in clear or Low-E insulating glass only. White exterior grille color is the only option available for clear insulating glass.

(2) Tan, Brown and Putty Interior GBG colors are available in single-tone (Brown/Brown, Tan/Tan or Putty/Putty). Other interior colors are also available with Tan or Brown exterior.

(3) Contact your local Pella sales representative for current color options.

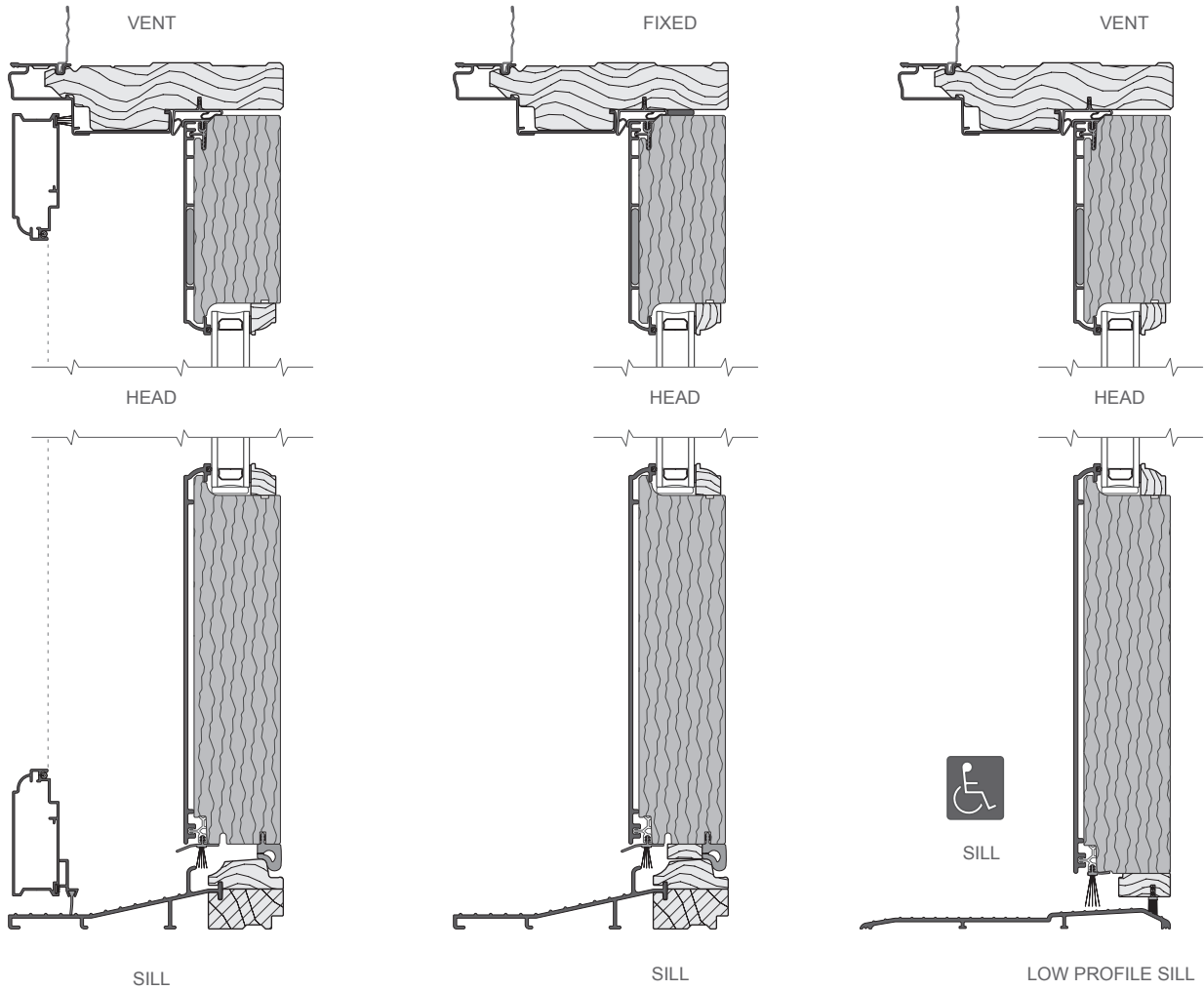
(4) Appearance of exterior grille color will vary depending on Low-E coating on glass.




Schlage is a registered trademark of Schlage Lock Company.



IN-SWING DOOR

UNIT SECTIONS
 Aluminum-Clad Wood
 Wood Collection



-  Solid Mahogany
-  Core with Mahogany Veneer
-  Painted Pine

Scale 3" = 1' 0"

All dimensions are approximate.

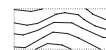
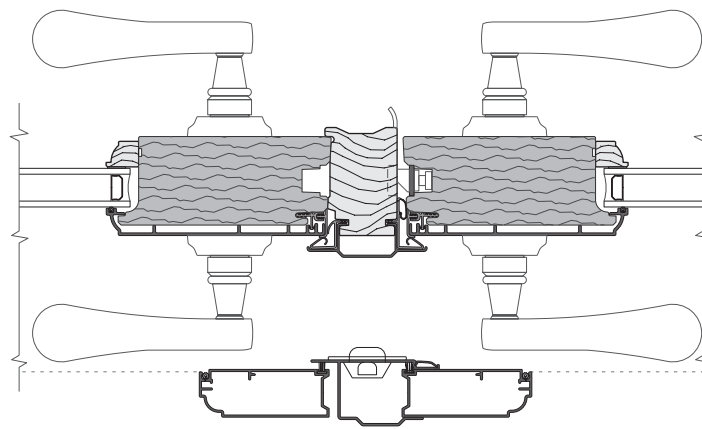
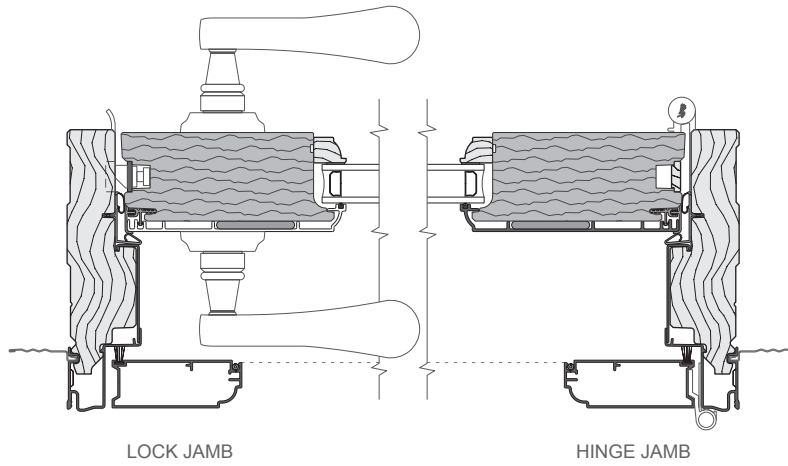
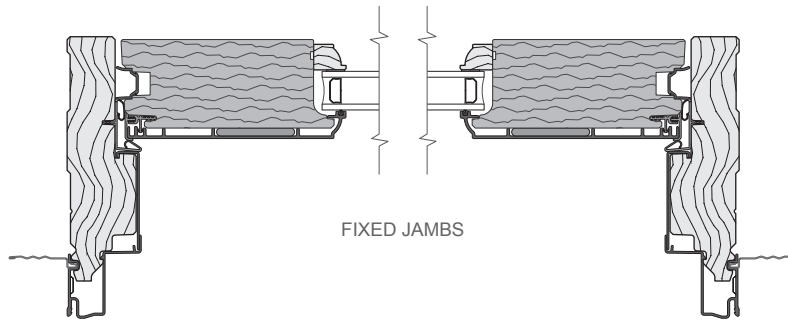
Water resistance is 0 psf for doors with low profile sill.



IN-SWING DOOR

UNIT SECTIONS

Aluminum-Clad Wood
Wood Collection



Solid Mahogany



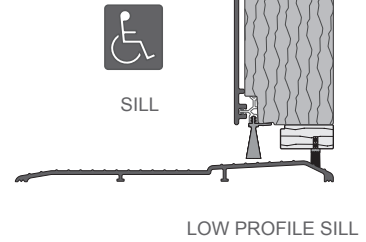
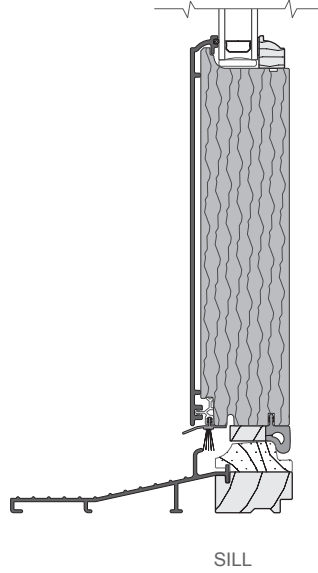
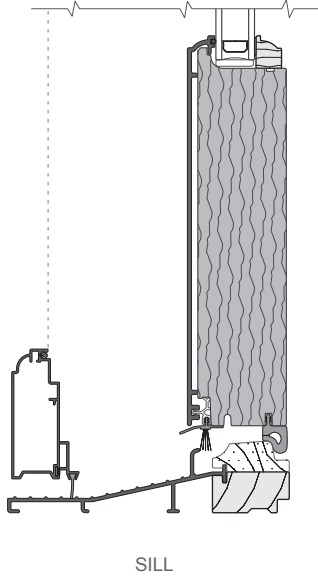
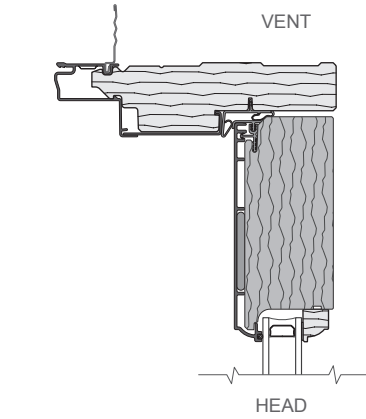
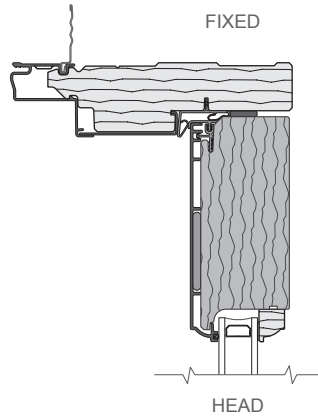
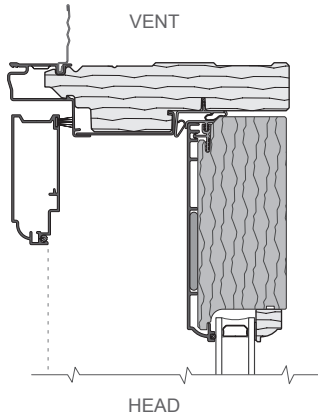
Core with Mahogany Veneer




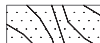
Scale 3" = 1' 0"
All dimensions are approximate.



IN-SWING DOOR

UNIT SECTIONS
 Aluminum-Clad Wood
 Wood Collection



-  Alder, Douglas Fir or Pine
-  Core with Alder, Douglas Fir or Pine Veneer
-  Solid Pine
-  Oak

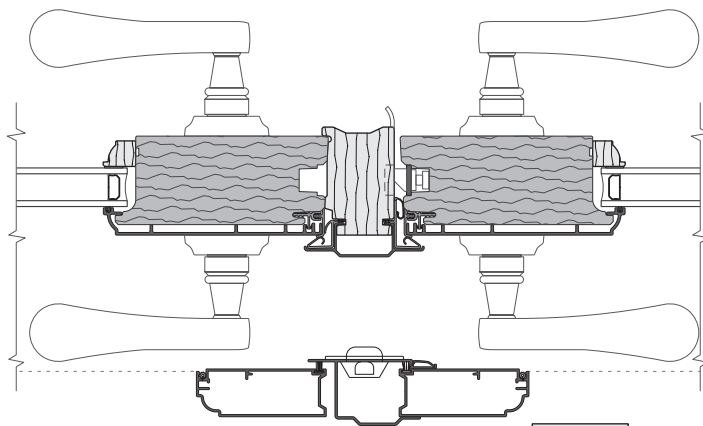
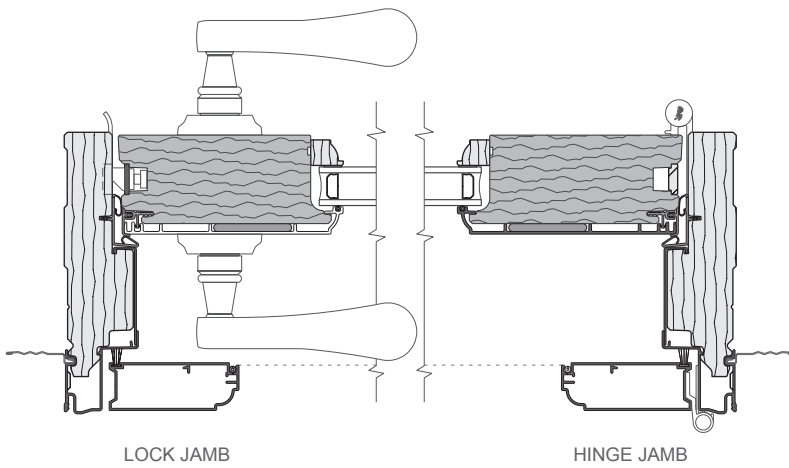
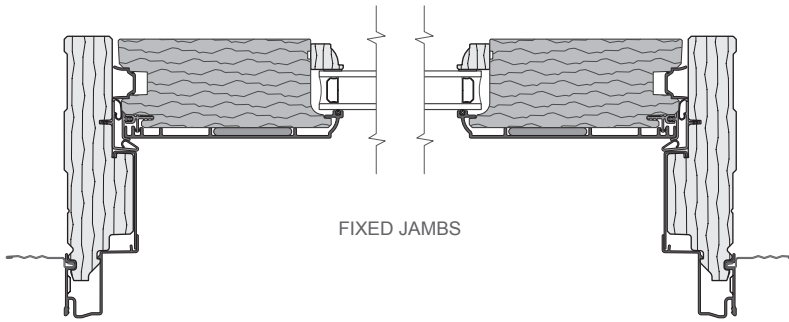
Scale 3" = 1' 0"
 All dimensions are approximate.




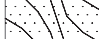
See Installation and Performance at www.PellaADM.com for mullion limitations and reinforcing requirements.



IN-SWING DOOR

UNIT SECTIONS
 Aluminum-Clad Wood
 Wood Collection



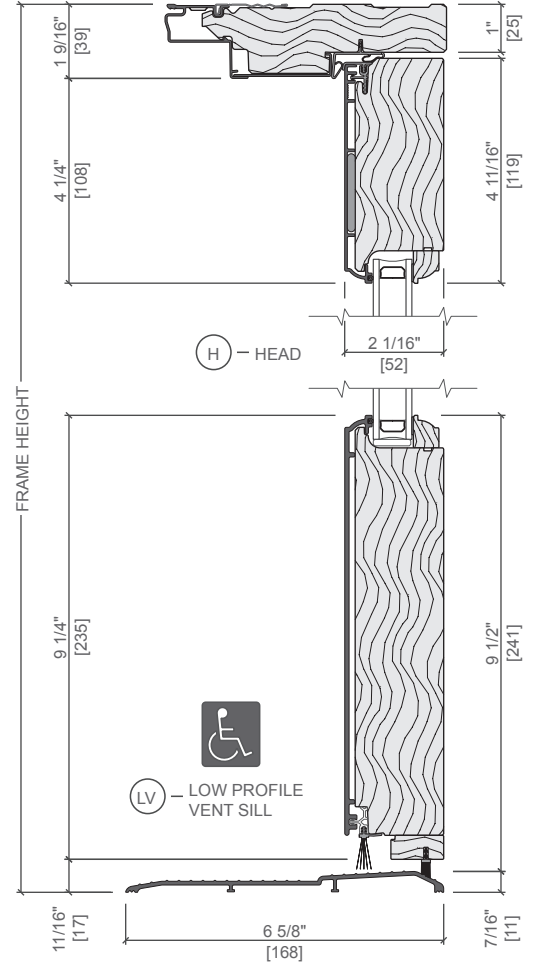
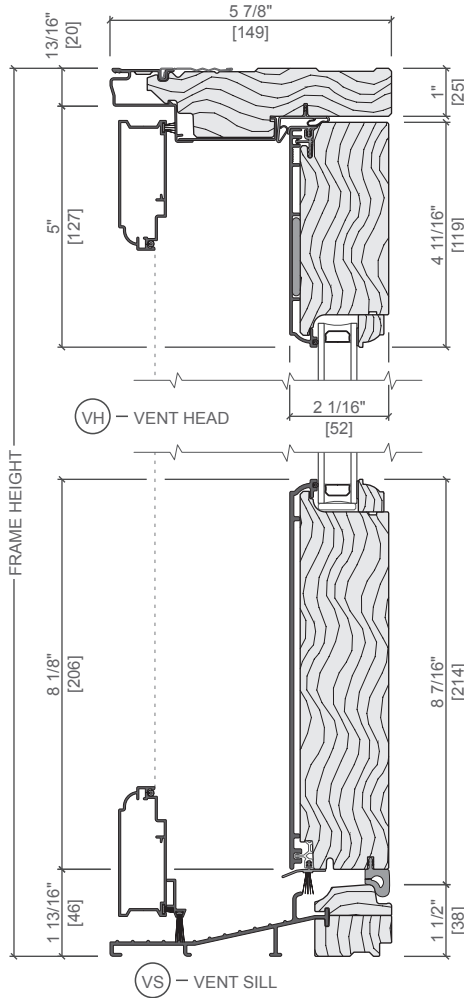
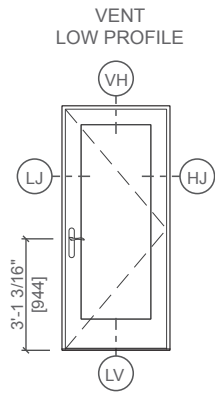
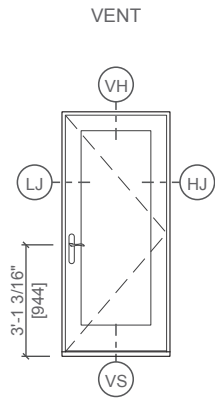
-  Alder, Douglas Fir or Pine
-  Core with Alder, Douglas Fir or Pine Veneer
-  Solid Pine
-  Oak

Scale 3" = 1' 0"
 All dimensions are approximate.

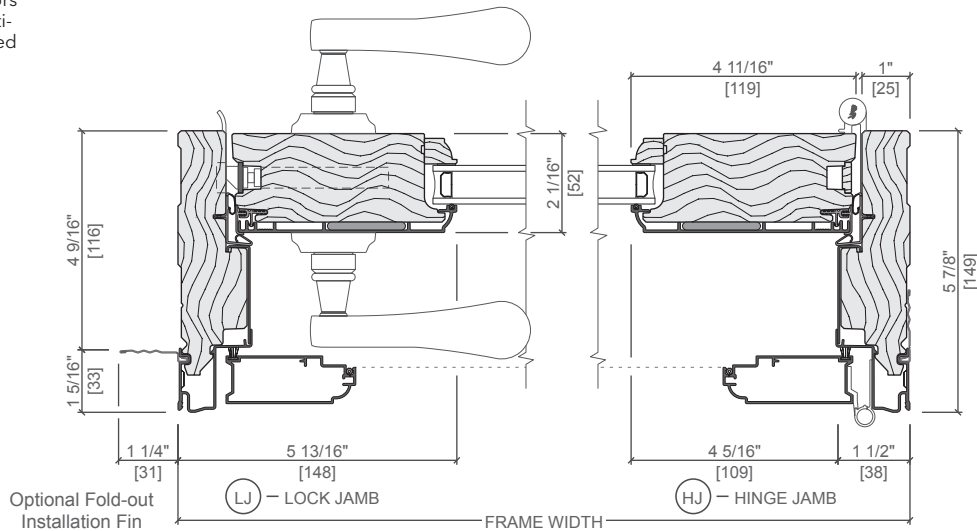


IN-SWING DOOR

UNIT SECTIONS
Aluminum-Clad Wood



Handle Height Dimension shown is from bottom of unit frame to door handle. Installation method used and finished flooring conditions will cause handle height to vary. Doors not using the standard Pella multi-point lock and hardware (specified as 'No lock/No Bore') are not Hallmark certified.



Scale 3" = 1' 0"

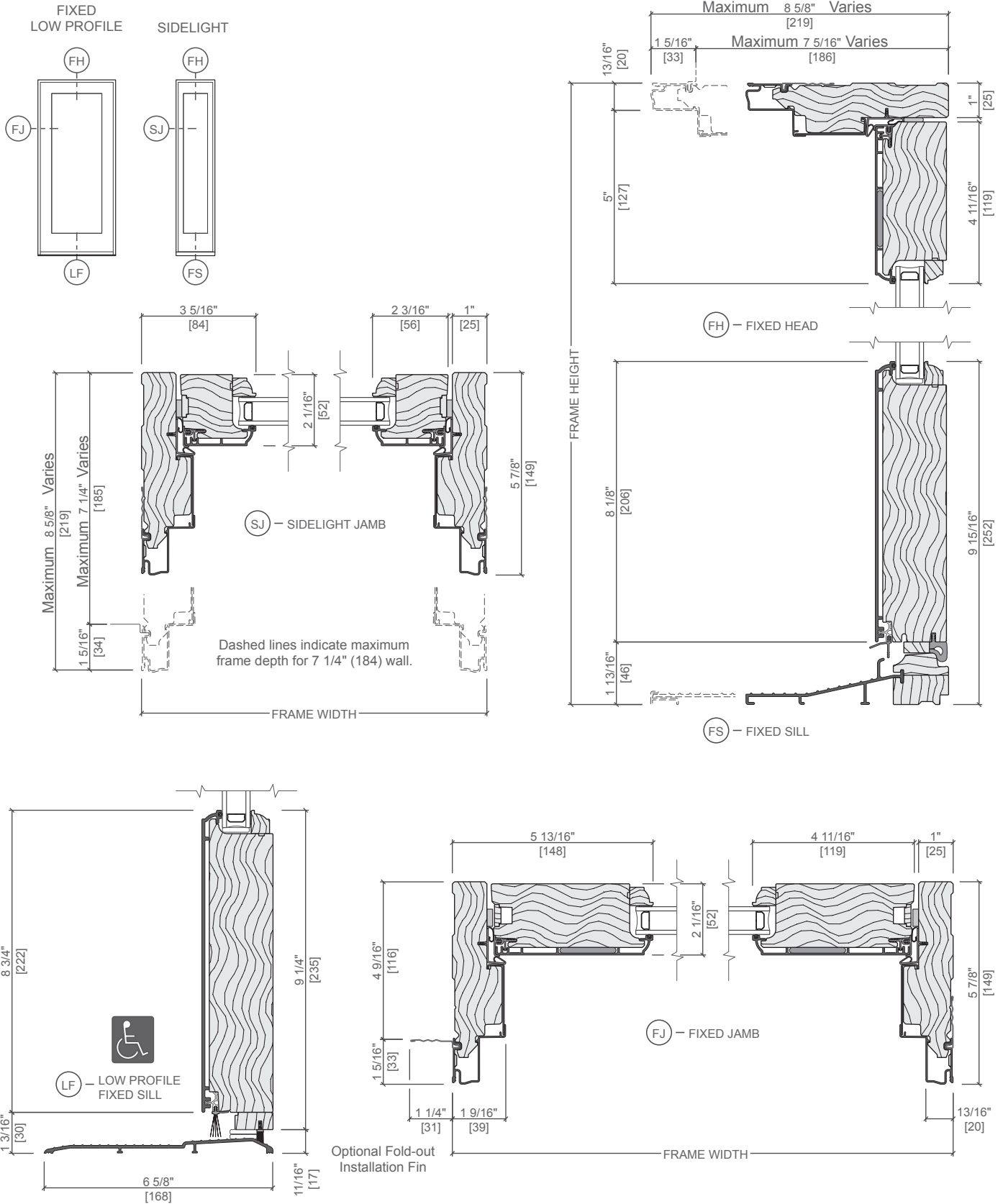
Water resistance is 0 psf for doors with low profile sill

All dimensions are approximate.



IN-SWING DOOR

UNIT SECTIONS
Aluminum-Clad Wood



Scale 3" = 1' 0"

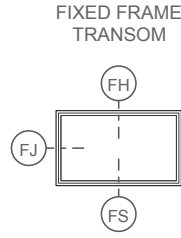
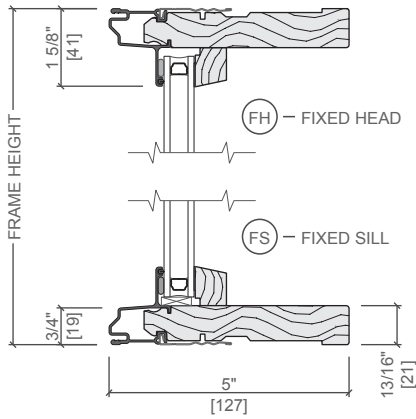
Water resistance is 0 psf for doors with low profile sill.

All dimensions are approximate.

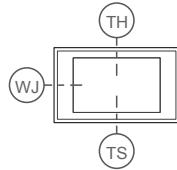
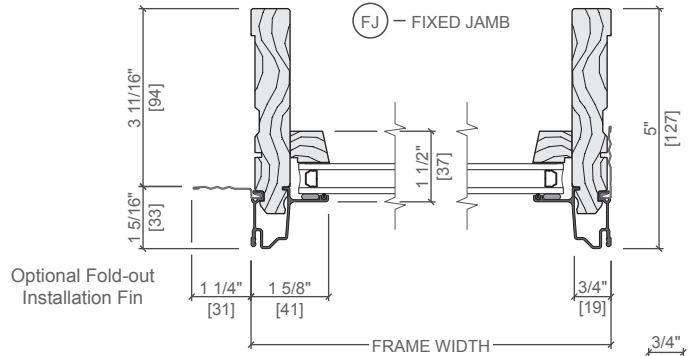


IN-SWING DOOR

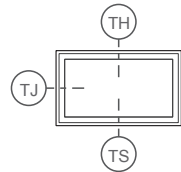
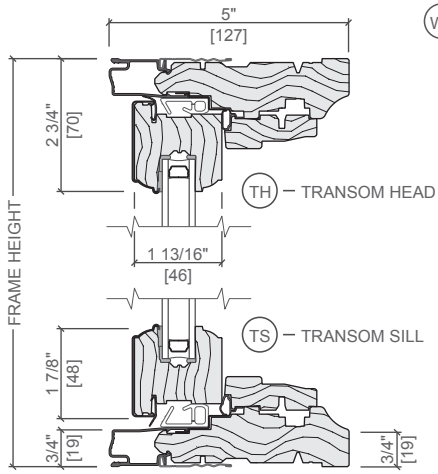
UNIT SECTIONS
Aluminum-Clad Wood



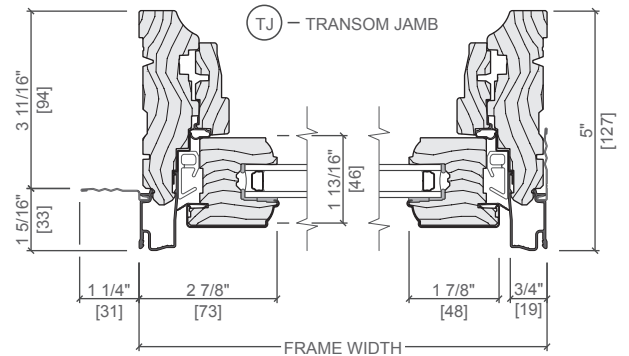
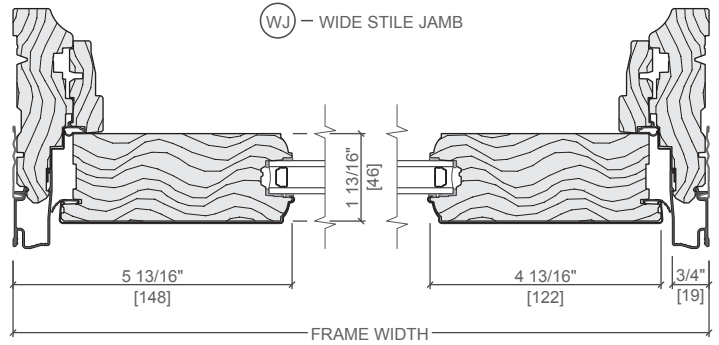
FIXED FRAME TRANSOM



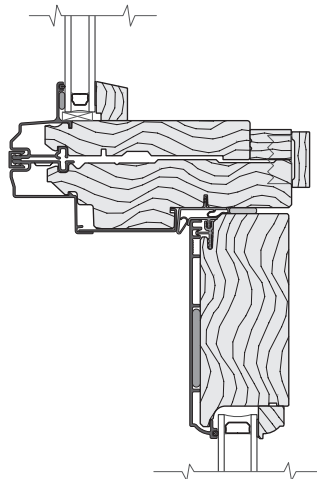
WIDE STILE TRANSOM



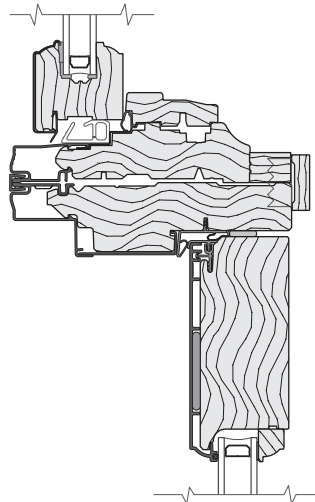
STANDARD STILE TRANSOM



TYPICAL JOINING MULLIONS



HORIZONTAL JOINING MULLION
FIXED FRAME / IN-SWING FRENCH DOOR



HORIZONTAL JOINING MULLION
CASEMENT / IN-SWING FRENCH DOOR

Scale 3" = 1' 0"
All dimensions are approximate.

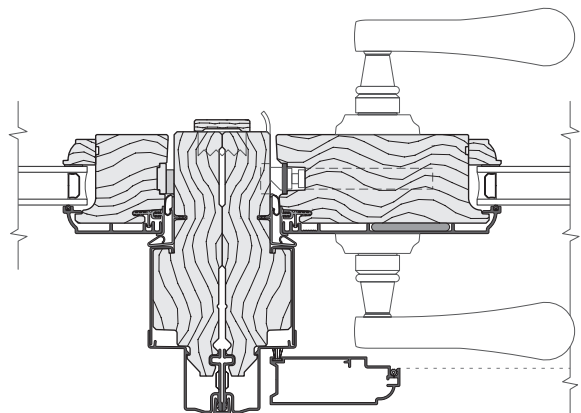
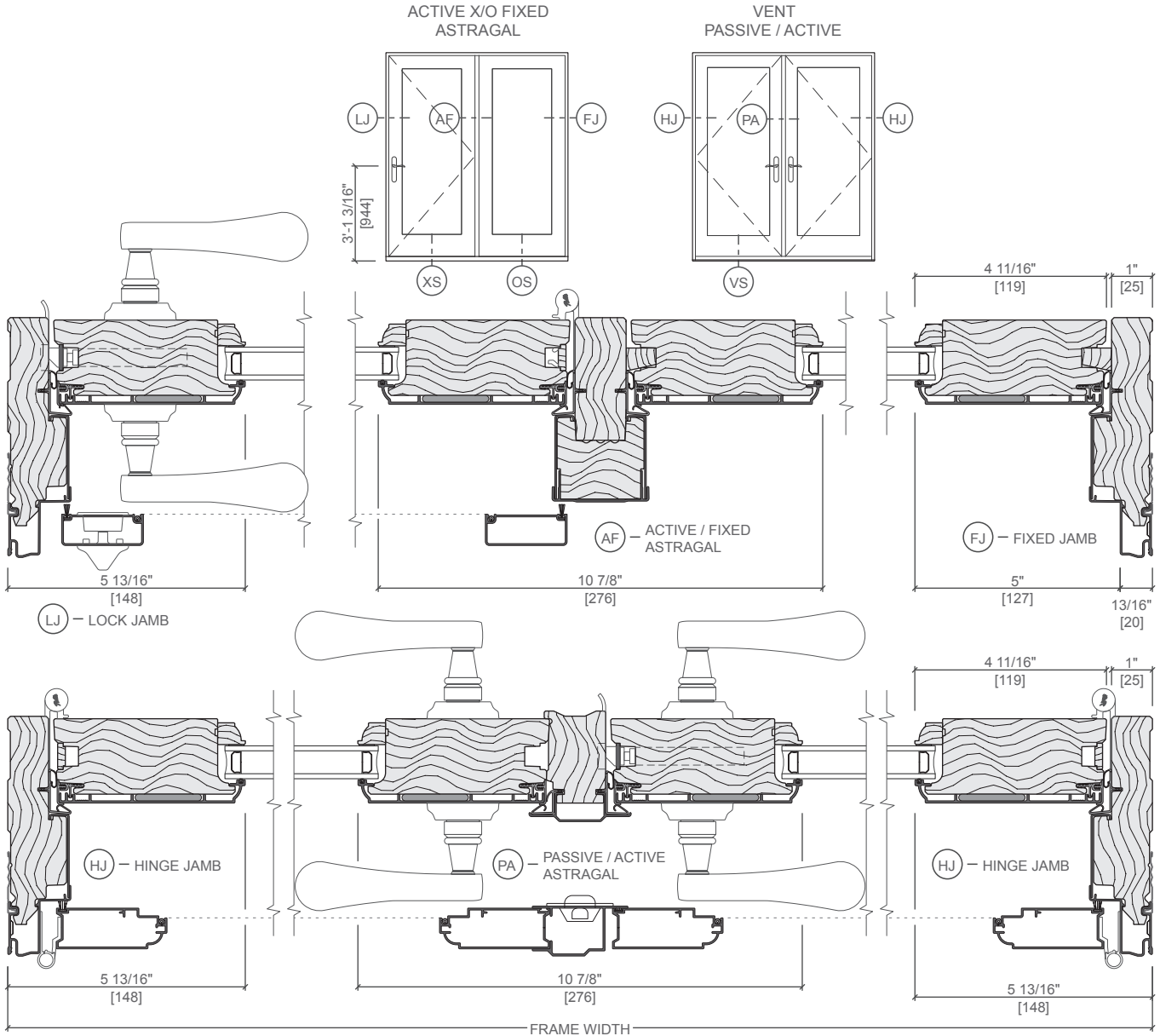
See Installation and Performance at www.PellaADM.com
for mullion limitations and reinforcing requirements.



IN-SWING DOOR

UNIT SECTIONS - TYPICAL JOINING MULLIONS

Aluminum-Clad Wood



VERTICAL JOINING MULLION
SIDELIGHT JAMB / LOCK JAMB

- Use standard joining mullions when joining fixed door panels.
- Sidelights or fixed panels may be joined directly to operable door panels. Composite must be installed with head drip fin and installation fins per standard installation instructions.
- Structural mullion must be used for all other combinations.

Scale 3" = 1' 0"

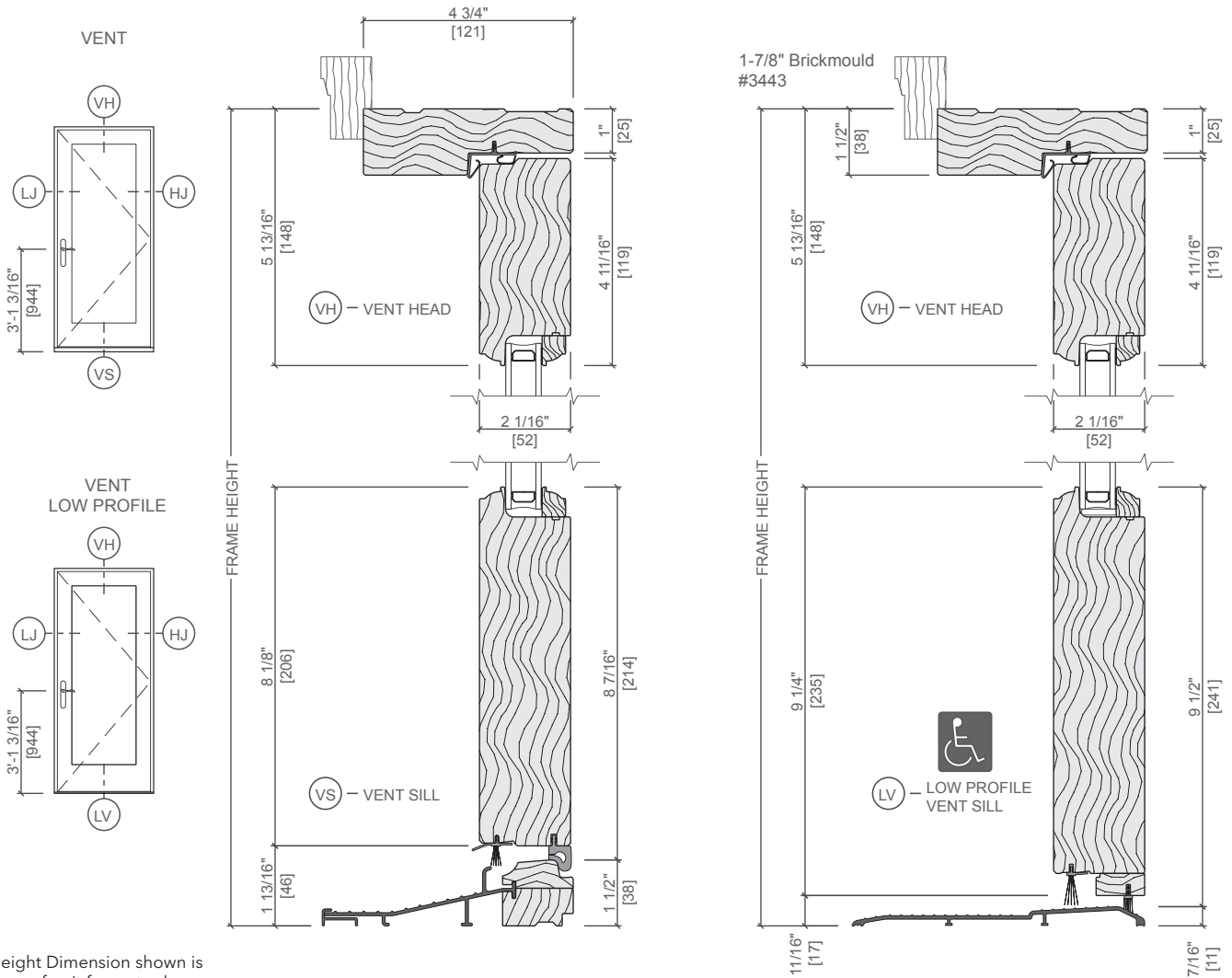
All dimensions are approximate.



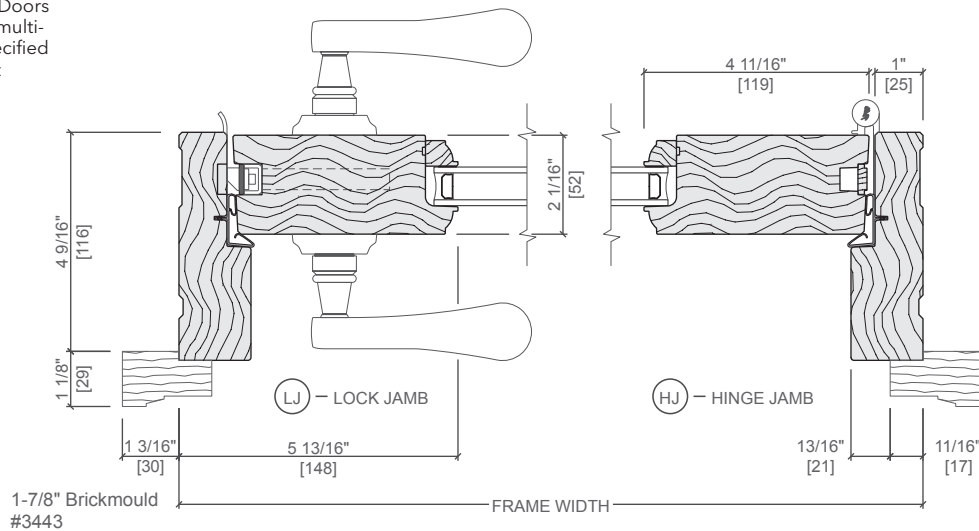
IN-SWING DOOR

UNIT SECTIONS

Wood Exterior



Handle Height Dimension shown is from bottom of unit frame to door handle. Installation method used and finished flooring conditions will cause handle height to vary. Doors not using the standard Pella multi-point lock and hardware (specified as 'No lock/No Bore') are not Hallmark certified.



Scale 3" = 1' 0"

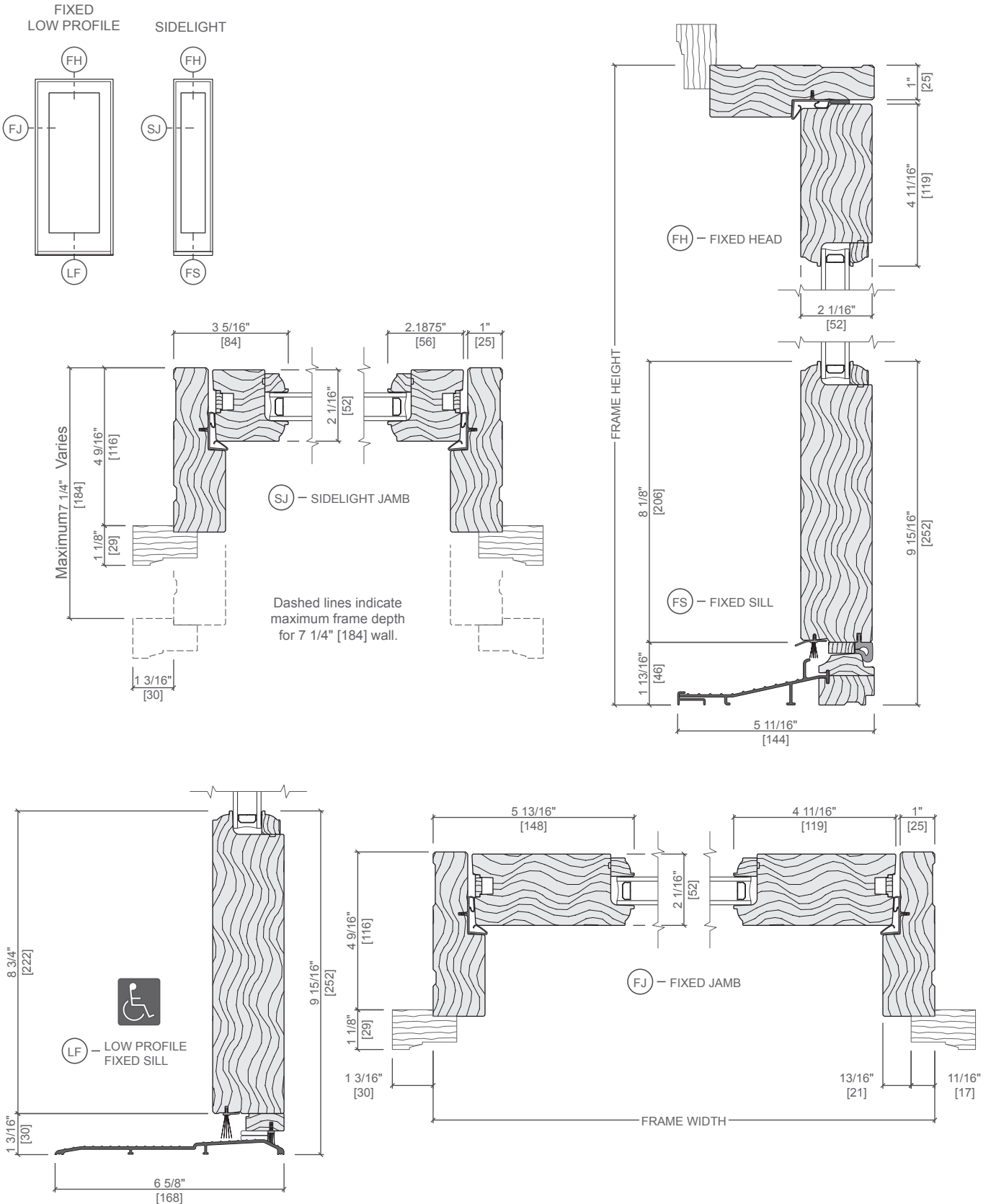
Water resistance is 0 psf for doors with low profile sill.

All dimensions are approximate.



IN-SWING DOOR

UNIT SECTIONS
Wood Exterior



Scale 3" = 1' 0"

Water resistance is 0 psf for doors with low profile sill.

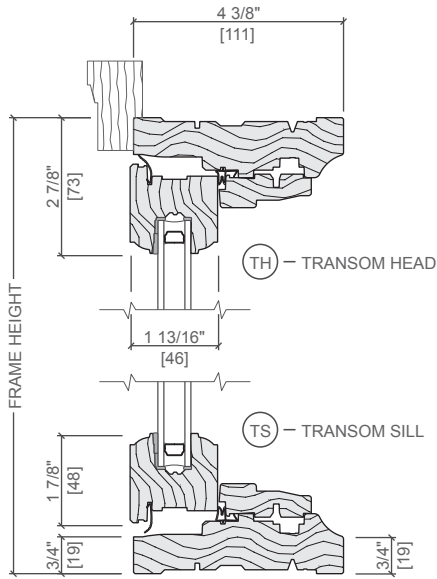
All dimensions are approximate.



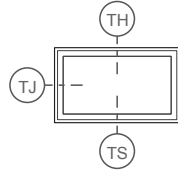
IN-SWING DOOR

UNIT SECTIONS

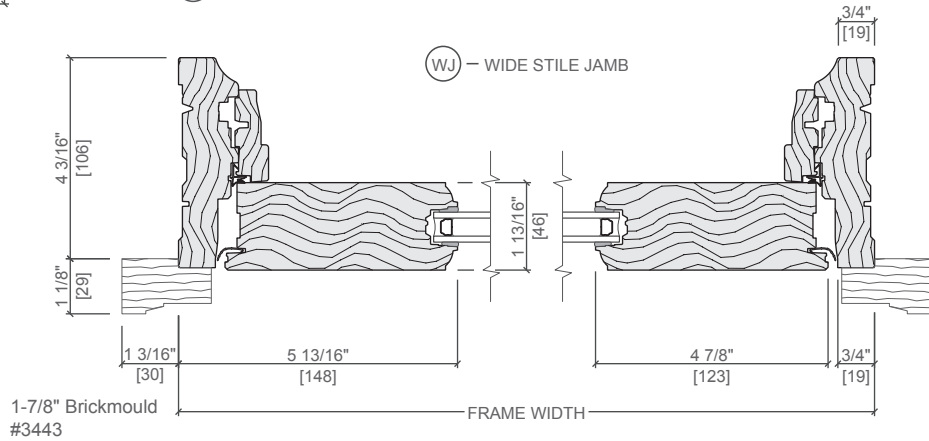
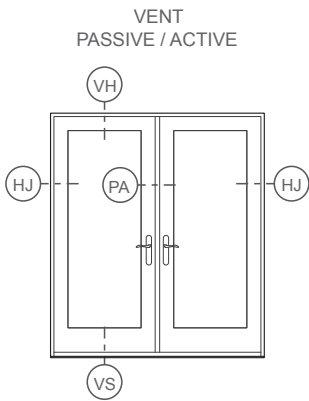
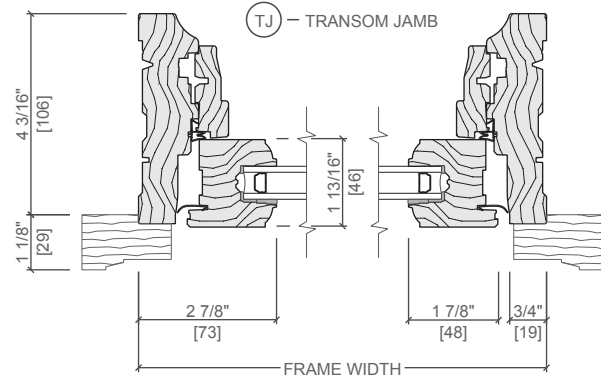
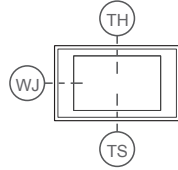
Wood Exterior



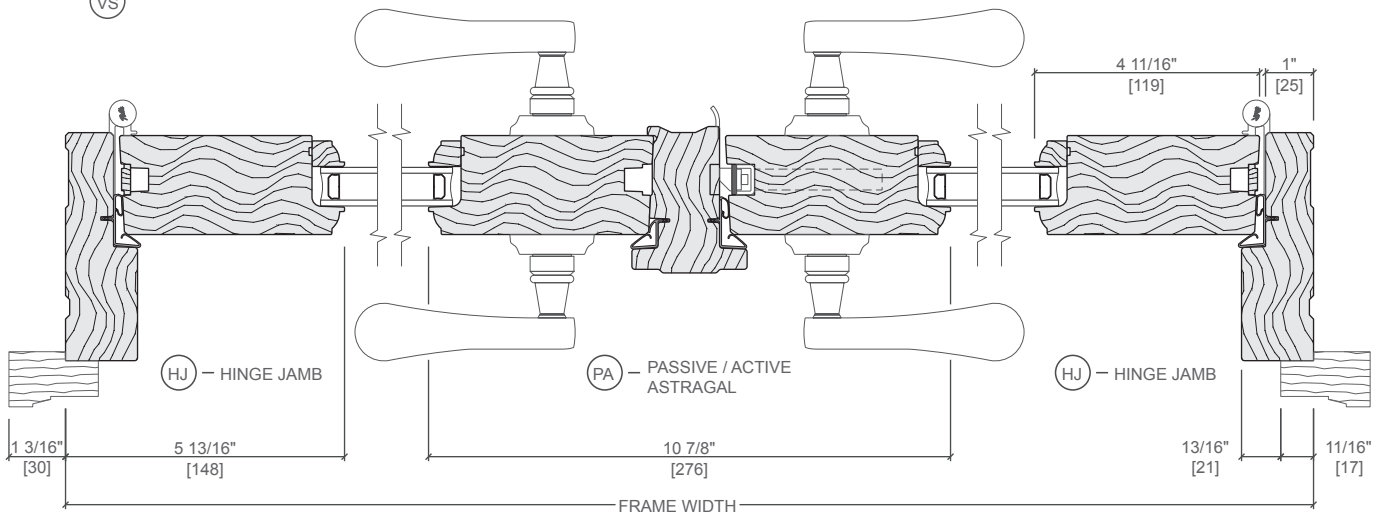
STANDARD STILE TRANSOM



WIDE STILE TRANSOM



TYPICAL JOINING MULLIONS



Scale 3" = 1' 0"

See Installation and Performance at www.PellaADM.com for mullion limitations and reinforcing requirements.

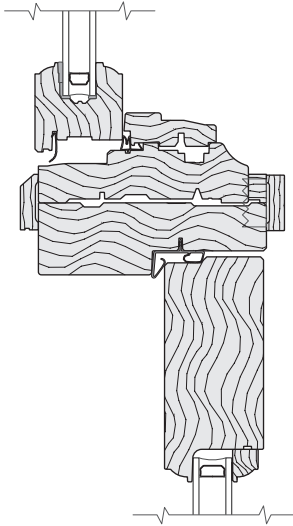
All dimensions are approximate.



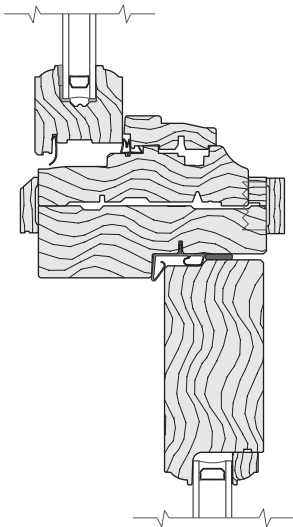
IN-SWING DOOR

UNIT SECTIONS

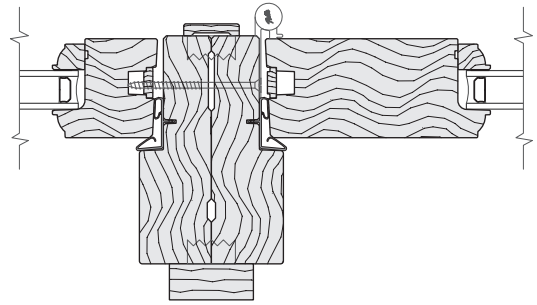
Wood Exterior



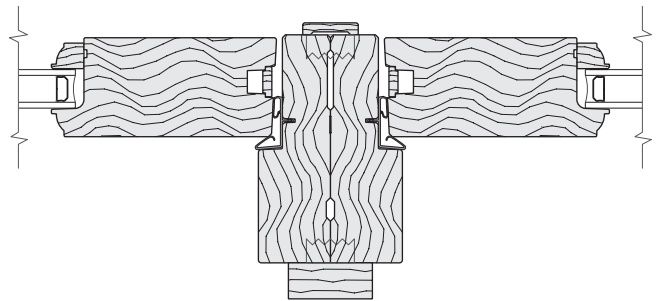
HORIZONTAL JOINING MULLION
TRANSOM / VENT DOOR



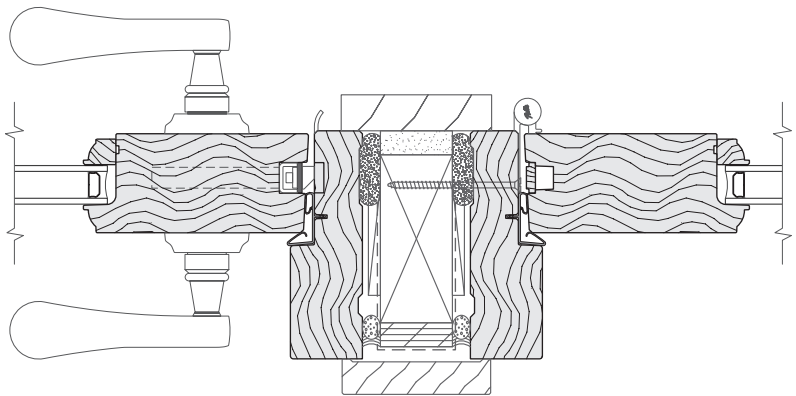
HORIZONTAL JOINING MULLION
TRANSOM / FIXED DOOR



VERTICAL JOINING MULLION
SIDELIGHT / HINGE JAMB



VERTICAL JOINING MULLION
FIXED PANELS



VERTICAL STRUCTURAL MULLION
OPERABLE PANELS

Scale 3" = 1' 0"

All dimensions are approximate.



IN-SWING DOOR

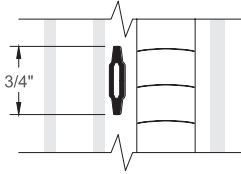
GRILLE TYPES

Typical Grille Profiles and Patterns

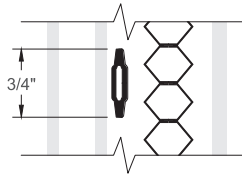


Grille Profiles

Removable Grilles Between-the-Glass



3/4" Triple-Pane with Slimshade Blind

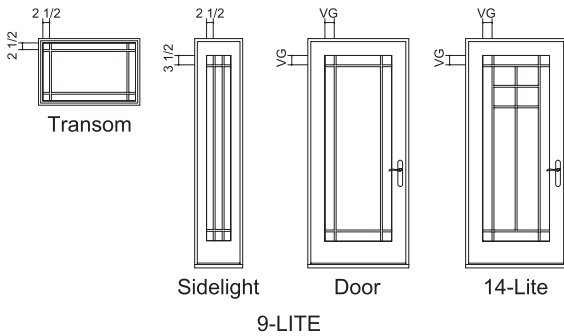


3/4" Triple-Pane with Cellular Fabric Shade

Grille Patterns

Removable Grilles-Between-the-Glass

PRAIRIE LITE PATTERNS

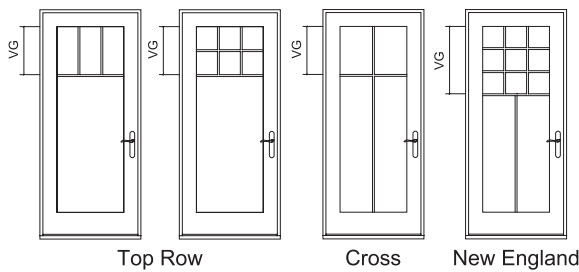


All sidelights and transoms will have 9 lights.

Units ≥ 35" will have 14-lite pattern.

Standard corner lite dimension for Prairie patterns = 3-1/2" VG.

OTHER AVAILABLE PATTERNS



Top Row

- Standard visible glass to separator bar = 14".

Cross

- Standard visible glass to separator bar = one-quarter of total visible glass height.

New England

- Standard visible glass to separator bar = half of total visible glass height.

For traditional patterns, see size tables.

VG = Visible Glass

Lite dimensions noted can vary.

Custom configurations are available; for details contact your local Pella sales representative.



IN-SWING DOOR

SIZE TABLES

Aluminum-Clad Wood
6' 7-1/2"



Single Doors and Sidelight

	(476)	(664)	(781)	(870)	(933)	(981)
	(457)	(645)	(762)	(851)	(914)	(962)
Opening	1' 6 3/4"	2' 2 1/8"	2' 6 3/4"	2' 10 1/4"	3' 0 3/4"	3' 2 5/8"
Frame	1' 6"	2' 1 3/8"	2' 6"	2' 9 1/2"	3' 0"	3' 1 7/8"

(2 032) (2 019)	6' 8"					
	6' 7 1/2"					

SIDELIGHT 1880	LEFT 2680	LEFT 3080	LEFT 3480	LEFT 3680	LEFT 3880
-------------------	--------------	--------------	--------------	--------------	--------------

Single-Swing Doors

	(1 289)	(1 524)	(1 702)	(1 829)	(1 924)
	(1 270)	(1 505)	(1 682)	(1 810)	(1 905)
Opening	4' 2 3/4"	5' 0"	5' 7"	6' 0"	6' 3 3/4"
Frame	4' 2"	4' 11 1/4"	5' 6 1/4"	5' 11 1/4"	6' 3"

(2 032) (2 019)	6' 8"				
	6' 7 1/2"				

FIXED-ACTIVE 5080	FIXED-ACTIVE 6080	FIXED-ACTIVE 6780	FIXED-ACTIVE 7280	FIXED-ACTIVE 7580
----------------------	----------------------	----------------------	----------------------	----------------------

Double-Swing Doors

	(1 289)	(1 524)	(1 702)	(1 829)	(1 924)
	(1 270)	(1 505)	(1 682)	(1 810)	(1 905)
Opening	4' 2 3/4"	5' 0"	5' 7"	6' 0"	6' 3 3/4"
Frame	4' 2"	4' 11 1/4"	5' 6 1/4"	5' 11 1/4"	6' 3"

(2 032) (2 019)	6' 8"				
	6' 7 1/2"				

ACTIVE-PASSIVE 5080	ACTIVE-PASSIVE 6080	ACTIVE-PASSIVE 6780	ACTIVE-PASSIVE 7280	ACTIVE-PASSIVE 7580
------------------------	------------------------	------------------------	------------------------	------------------------

Not to scale.

Traditional grille patterns shown. Refer to Clad/Wood Overview section for additional patterns and profiles.

Single doors - Left-hand shown. Right-hand and fixed are available.

Single-swing doors - Fixed-Active shown. Active-Fixed also available.

Double-swing doors - Active-Passive shown. Passive-Active also available.

All doors and sidelights are glazed with tempered glass.



IN-SWING DOOR

SIZE TABLES

Aluminum-Clad Wood

6' 8"



Single Doors and Sidelight

	(476) (457)	(664) (645)	(781) (762)	(870) (851)	(933) (914)	(981) (962)
Opening	1' 6 3/4"	2' 2 1/8"	2' 6 3/4"	2' 10 1/4"	3' 0 3/4"	3' 2 5/8"
Frame	1' 6"	2' 1 3/8"	2' 6"	2' 9 1/2"	3' 0"	3' 1 7/8"

(2 048) (2 035)	6' 8 5/8"	6' 8 1/8"						
			SIDELIGHT 1881	LEFT 2681	LEFT 3081	LEFT 3481	LEFT 3681	LEFT 3881

Single-Swing Doors

	(1 289) (1 270)	(1 524) (1 505)	(1 702) (1 682)	(1 829) (1 810)	(1 924) (1 905)
Opening	4' 2 3/4"	5' 0"	5' 7"	6' 0"	6' 3 3/4"
Frame	4' 2"	4' 11 1/4"	5' 6 1/4"	5' 11 1/4"	6' 3"

(2 048) (2 035)	6' 8 5/8"	6' 8 1/8"					
			FIXED-ACTIVE 5081	FIXED-ACTIVE 6081	FIXED-ACTIVE 6781	FIXED-ACTIVE 7281	FIXED-ACTIVE 7581

Double-Swing Doors

	(1 289) (1 270)	(1 524) (1 505)	(1 702) (1 682)	(1 829) (1 810)	(1 924) (1 905)
Opening	4' 2 3/4"	5' 0"	5' 7"	6' 0"	6' 3 3/4"
Frame	4' 2"	4' 11 1/4"	5' 6 1/4"	5' 11 1/4"	6' 3"

(2 048) (2 035)	6' 8 5/8"	6' 8 1/8"					
			ACTIVE-PASSIVE 5081	ACTIVE-PASSIVE 6081	ACTIVE-PASSIVE 6781	ACTIVE-PASSIVE 7281	ACTIVE-PASSIVE 7581

Not to scale.

Traditional grille patterns shown. Refer to Clad/Wood Overview section for additional patterns and profiles.

Single doors - Left-hand shown. Right-hand and fixed are available.

Single-swing doors - Fixed-Active shown. Active-Fixed also available.

Double-swing doors - Active-Passive shown. Passive-Active also available.

All doors and sidelights are glazed with tempered glass.

Left-hand single doors shown, right-hand and fixed also available.



IN-SWING DOOR

SIZE TABLES

Aluminum-Clad Wood

6' 10"



Single Doors and Sidelight

	(476) (457)	(664) (645)	(781) (762)	(870) (851)	(933) (914)	(981) (962)
Opening	1' 6 3/4"	2' 2 1/8"	2' 6 3/4"	2' 10 1/4"	3' 0 3/4"	3' 2 5/8"
Frame	1' 6"	2' 1 3/8"	2' 6"	2' 9 1/2"	3' 0"	3' 1 7/8"
(2 083) (2 070)						
6' 10"	SIDELIGHT 1882	LEFT 2682	LEFT 3082	LEFT 3482	LEFT 3682	LEFT 3882
6' 9 1/2"						

Single-Swing Doors

	(1 289) (1 270)	(1 524) (1 505)	(1 702) (1 682)	(1 829) (1 810)	(1 924) (1 905)
Opening	4' 2 3/4"	5' 0"	5' 7"	6' 0"	6' 3 3/4"
Frame	4' 2"	4' 11 1/4"	5' 6 1/4"	5' 11 1/4"	6' 3"
(2 083) (2 070)					
6' 10"	FIXED-ACTIVE 5082	FIXED-ACTIVE 6082	FIXED-ACTIVE 6782	FIXED-ACTIVE 7282	FIXED-ACTIVE 7582
6' 9 1/2"					

Double-Swing Doors

	(1 289) (1 270)	(1 524) (1 505)	(1 702) (1 682)	(1 829) (1 810)	(1 924) (1 905)
Opening	4' 2 3/4"	5' 0"	5' 7"	6' 0"	6' 3 3/4"
Frame	4' 2"	4' 11 1/4"	5' 6 1/4"	5' 11 1/4"	6' 3"
(2 083) (2 070)					
6' 10"	ACTIVE-PASSIVE 5082	ACTIVE-PASSIVE 6082	ACTIVE-PASSIVE 6782	ACTIVE-PASSIVE 7282	ACTIVE-PASSIVE 7582
6' 9 1/2"					

Not to scale.

Traditional grille patterns shown. Refer to Clad/Wood Overview section for additional patterns and profiles.

Single doors - Left-hand shown. Right-hand and fixed are available.

Single-swing doors - Fixed-Active shown. Active-Fixed also available.

Double-swing doors - Active-Passive shown. Passive-Active also available.

All doors and sidelights are glazed with tempered glass.

Left-hand single doors shown, right-hand and fixed also available.



IN-SWING DOOR

SIZE TABLES

Aluminum-Clad Wood

7' 2"



Single Doors and Sidelight

	(476) (457)	(664) (645)	(781) (762)	(870) (851)	(933) (914)	(981) (962)
Opening	1' 6 3/4"	2' 2 1/8"	2' 6 3/4"	2' 10 1/4"	3' 0 3/4"	3' 2 5/8"
Frame	1' 6"	2' 1 3/8"	2' 6"	2' 9 1/2"	3' 0"	3' 1 7/8"
(2 197) (2 184)						
	SIDELIGHT 1886	LEFT 2686	LEFT 3086	LEFT 3486	LEFT 3686	LEFT 3886

Single-Swing Doors

	(1 289) (1 270)	(1 524) (1 505)	(1 702) (1 682)	(1 829) (1 810)	(1 924) (1 905)
Opening	4' 2 3/4"	5' 0"	5' 7"	6' 0"	6' 3 3/4"
Frame	4' 2"	4' 11 1/4"	5' 6 1/4"	5' 11 1/4"	6' 3"
(2 197) (2 184)					
	FIXED-ACTIVE 5086	FIXED-ACTIVE 6086	FIXED-ACTIVE 6786	FIXED-ACTIVE 7286	FIXED-ACTIVE 7586

Double-Swing Doors

	(1 289) (1 270)	(1 524) (1 505)	(1 702) (1 682)	(1 829) (1 810)	(1 924) (1 905)
Opening	4' 2 3/4"	5' 0"	5' 7"	6' 0"	6' 3 3/4"
Frame	4' 2"	4' 11 1/4"	5' 6 1/4"	5' 11 1/4"	6' 3"
(2 197) (2 184)					
	ACTIVE-PASSIVE 5086	ACTIVE-PASSIVE 6086	ACTIVE-PASSIVE 6786	ACTIVE-PASSIVE 7286	ACTIVE-PASSIVE 7586

Not to scale.

Traditional grille patterns shown. Refer to Clad/Wood Overview section for additional patterns and profiles.

Single doors - Left-hand shown. Right-hand and fixed are available.

Single-swing doors - Fixed-Active shown. Active-Fixed also available.

Double-swing doors - Active-Passive shown. Passive-Active also available.

All doors and sidelights are glazed with tempered glass.

Left-hand single doors shown, right-hand and fixed also available.



IN-SWING DOOR

SIZE TABLES
Aluminum-Clad Wood
8' 0"



Single Doors and Sidelight

	(476) (457)	(664) (645)	(781) (762)	(870) (851)	(933) (914)	(981) (962)
Opening	1' 6 3/4"	2' 2 1/8"	2' 6 3/4"	2' 10 1/4"	3' 0 3/4"	3' 2 5/8"
Frame	1' 6"	2' 1 3/8"	2' 6"	2' 9 1/2"	3' 0"	3' 1 7/8"
(2 438) (2 426)						
8' 0"						
7' 11 1/2"						

Single-Swing Doors

	(1 289) (1 270)	(1 524) (1 505)	(1 702) (1 682)	(1 829) (1 810)	(1 924) (1 905)
Opening	4' 2 3/4"	5' 0"	5' 7"	6' 0"	6' 3 3/4"
Frame	4' 2"	4' 11 1/4"	5' 6 1/4"	5' 11 1/4"	6' 3"
(2 438) (2 426)					
8' 0"					
7' 11 1/2"					

Double-Swing Doors

	(1 289) (1 270)	(1 524) (1 505)	(1 702) (1 682)	(1 829) (1 810)	(1 924) (1 905)
Opening	4' 2 3/4"	5' 0"	5' 7"	6' 0"	6' 3 3/4"
Frame	4' 2"	4' 11 1/4"	5' 6 1/4"	5' 11 1/4"	6' 3"
(2 438) (2 426)					
8' 0"					
7' 11 1/2"					

Not to scale.

Traditional grille patterns shown. Refer to Clad/Wood Overview section for additional patterns and profiles.

Single doors - Left-hand shown. Right-hand and fixed are available.

Single-swing doors - Fixed-Active shown. Active-Fixed also available.

Double-swing doors - Active-Passive shown. Passive-Active also available.

All doors and sidelights are glazed with tempered glass.

Left-hand single doors shown, right-hand and fixed also available.



IN-SWING DOOR

SIZE TABLES

Aluminum-Clad Wood
Transoms



Fixed Transoms

		(664) (645)	(781) (762)	(870) (851)	(933) (914)	(981) (962)
Opening		2' 2 1/8"	2' 6 3/4"	2' 10 1/4"	3' 0 3/4"	3' 2 5/8"
Frame		2' 1 3/8"	2' 6"	2' 9 1/2"	3' 0"	3' 1 7/8"
(375) (356)	1' 2 3/4"	2614	3014	3414	3614	3814
(432) (451)	1' 5 3/4"	2617	3017	3417	3617	3817
(654) (635)	2' 1 3/4"	2625	3025	3425	3625	3825

Fixed Transoms

		(1 289) (1 270)	(1 524) (1 505)	(1 702) (1 682)	(1 829) (1 810)	(1 924) (1 905)
Opening		4' 2 3/4"	5' 0"	5' 7"	6' 0"	6' 3 3/4"
Frame		4' 2"	4' 11 1/4"	5' 6 1/4"	5' 11 1/4"	6' 3"
(375) (356)	1' 2 3/4"	5014	6014	6714	7214 ^T	7514 ^T
(432) (451)	1' 5 3/4"	5017	6017	6717	7217	7517
(654) (635)	2' 1 3/4"	5025	6025	6725	7225	7525

Special Size Frame Dimensions 1

DOOR TYPE	FRAME WIDTH		FRAME HEIGHT	
	Minimum	Maximum	Minimum	Maximum
SINGLE DOOR	25-11/32"	37-7/8"	79-1/2"	95-1/2"
DOUBLE DOOR	50"	75"	79-1/2"	95-1/2"
TRANSOM	25-11/32"	75"	14"	35"
SIDELIGHT	18"	18"	79-1/2"	95-1/2"

^T Tempered glass is standard.

(1) Available within size range shown.



IN-SWING DOOR

DESIGN DATA

Aluminum-Clad Wood



IN-SWING FRENCH DESIGN DATA

Unit	Single and Double Doors	Clear Opening (Inches) ₁				Vent Area (Standard Sill)	Vent Area (ADA Sill)	Visible Glass Ft ²	Standard Glass Thickness (mm) Tempered	Performance Class & Grade ₂
		Width (172°)	Width (90°)	Standard Sill Unit Height	ADA Sill Unit Height					
2680	F	–	–	–	–	–	–	5.6	3	LC55
3080	F	–	–	–	–	–	–	7.6	3	LC55
3480	F	–	–	–	–	–	–	9.2	3	LC55
3680	F	–	–	–	–	–	–	10.3	3	LC55
3880	F	–	–	–	–	–	–	11.1	3	LC55
2680	L/R	22-5/16	20-1/16	76-7/16	77-1/2	11.8	12.0	5.6	3	LC55
3080	L/R	26-15/16	24-11/16	76-7/16	77-1/2	14.3	14.5	7.6	3	LC55
3480	L/R	30-7/16	28-3/16	76-7/16	77-1/2	16.2	16.4	9.2	3	LC55
3680	L/R	32-15/16	30-11/16	76-7/16	77-1/2	17.5	17.73	10.3	3	LC55
3880	L/R	34-13/16	32-9/16	76-7/16	77-1/2	18.5	18.7	11.1	3	LC55
5080	FA/AF	22-5/16	20-1/16	76-7/16	77-1/2	11.8	12.01	11.3	3	LC55
6080	FA/AF	26-15/16	24-11/16	76-7/16	77-1/2	14.3	14.5	15.3	3	LC55
6780	FA/AF	30-7/16	28-3/16	76-7/16	77-1/2	16.2	16.38	18.4	3	LC55
7280	FA/AF	32-15/16	30-11/16	76-7/16	77-1/2	17.5	17.7	20.6	3	LC55
7580	FA/AF	34-13/16	32-9/16	76-7/16	77-1/2	18.5	18.74	22.3	3	LC55
5080	PA/AP	47 / 22-1/4	42-1/2 / 20	76-7/16	77-1/2	25.0	25.3	11.3	3	LC55
6080	PA/AP	56-1/4 / 26-7/8	51-3/4 / 24-5/8	76-7/16	77-1/2	29.9	30.27	15.3	3	LC55
6780	PA/AP	63-1/4 / 30-7/8	58-3/4 / 28-5/8	76-7/16	77-1/2	33.6	34.0	18.4	3	LC55
7280	PA/AP	68-1/4 / 32-7/8	63-3/4 / 30-5/8	76-7/16	77-1/2	36.2	36.73	20.6	3	LC55
7580	PA/AP	72 / 34-3/4	67-1/2 / 32-1/2	76-7/16	77-1/2	38.2	38.8	22.3	3	LC55
2681	F	–	–	–	–	–	–	5.7	3	LC55
3081	F	–	–	–	–	–	–	7.8	3	LC55
3481	F	–	–	–	–	–	–	9.3	3	LC55
3681	F	–	–	–	–	–	–	10.4	3	LC55
3881	F	–	–	–	–	–	–	11.2	3	LC55
2681	L/R	22-5/16	20-1/16	77-1/16	78-1/8	11.9	12.1	5.7	3	LC55
3081	L/R	26-15/16	24-11/16	77-1/16	78-1/8	14.42	14.61	7.8	3	LC55
3481	L/R	30-7/16	28-3/16	77-1/16	78-1/8	16.3	16.5	9.3	3	LC55
3681	L/R	32-15/16	30-11/16	77-1/16	78-1/8	17.63	17.87	10.4	3	LC55
3881	L/R	34-13/16	32-9/16	77-1/16	78-1/8	18.6	18.9	11.2	3	LC55
5081	FA/AF	22-5/16	20-1/16	77-1/16	78-1/8	11.94	12.11	11.4	3	LC55
6081	FA/AF	26-15/16	24-11/16	77-1/16	78-1/8	14.4	14.6	15.5	3	LC55
6781	FA/AF	30-7/16	28-3/16	77-1/16	78-1/8	16.29	16.51	18.7	3	LC55
7281	FA/AF	32-15/16	30-11/16	77-1/16	78-1/8	17.6	17.9	20.8	3	LC55
7581	FA/AF	34-13/16	32-9/16	77-1/16	78-1/8	18.63	18.89	22.5	3	LC55
5081	PA/AP	47 / 22-1/4	42-1/2 / 20	77-1/16	78-1/8	25.2	25.5	11.4	3	LC55
6081	PA/AP	56-1/4 / 26-7/8	51-3/4 / 24-5/8	77-1/16	78-1/8	30.1	30.52	15.5	3	LC55
6781	PA/AP	63-1/4 / 30-7/8	58-3/4 / 28-5/8	77-1/16	78-1/8	33.9	34.3	18.7	3	LC55
7281	PA/AP	68-1/4 / 32-7/8	63-3/4 / 30-5/8	77-1/16	78-1/8	36.52	37.03	20.8	3	LC55
7581	PA/AP	72 / 34-3/4	67-1/2 / 32-1/2	77-1/16	78-1/8	38.5	39.1	22.5	3	LC55

(–) = Not Applicable

(1) All dimensions are approximate to the nearest 1/16". The second value, where shown, provides the clear opening for the active panel only.

(2) Maximum Performance when glazed with the appropriate glass thickness.

To convert areas to square meters (m²), multiply square feet by 0.0929.



IN-SWING DOOR

DESIGN DATA

Aluminum-Clad Wood



IN-SWING FRENCH DESIGN DATA

Unit	Single and Double Doors	Clear Opening (Inches) ₁				Vent Area (Standard Sill)	Vent Area (ADA Sill)	Visible Glass Ft ²	Standard Glass Thickness (mm) Tempered	Performance Class & Grade ₂
		Width (172°)	Width (90°)	Standard Sill Unit Height	ADA Sill Unit Height					
2682	F	–	–	–	–	–	–	5.9	3	LC55
3082	F	–	–	–	–	–	–	7.9	3	LC55
3482	F	–	–	–	–	–	–	9.5	3	LC55
3682	F	–	–	–	–	–	–	10.6	3	LC55
3882	F	–	–	–	–	–	–	11.5	3	LC55
2682	L/R	22-5/16	20-1/16	78-7/16	79-1/2	12.2	12.3	5.9	3	LC55
3082	L/R	26-15/16	24-11/16	78-7/16	79-1/2	14.67	14.87	7.9	3	LC55
3482	L/R	30-7/16	28-3/16	78-7/16	79-1/2	16.6	16.8	9.5	3	LC55
3682	L/R	32-15/16	30-11/16	78-7/16	79-1/2	17.94	18.18	10.6	3	LC55
3882	L/R	34-13/16	32-9/16	78-7/16	79-1/2	19.0	19.2	11.5	3	LC55
5082	FA/AF	22-5/16	20-1/16	78-7/16	79-1/2	12.15	12.32	11.7	3	LC55
6082	FA/AF	26-15/16	24-11/16	78-7/16	79-1/2	14.7	14.9	15.8	3	LC55
6782	FA/AF	30-7/16	28-3/16	78-7/16	79-1/2	16.58	16.8	19.1	3	LC55
7282	FA/AF	32-15/16	30-11/16	78-7/16	79-1/2	17.9	18.2	21.3	3	LC55
7582	FA/AF	34-13/16	32-9/16	78-7/16	79-1/2	18.96	19.22	23.0	3	LC55
5082	PA/AP	47 / 22-1/4	42-1/2 / 20	78-7/16	79-1/2	25.6	26.0	11.7	3	LC55
6082	PA/AP	56-1/4 / 26-7/8	51-3/4 / 24-5/8	78-7/16	79-1/2	30.64	31.05	15.8	3	LC55
6782	PA/AP	63-1/4 / 30-7/8	58-3/4 / 28-5/8	78-7/16	79-1/2	34.5	34.9	19.1	3	LC55
7282	PA/AP	68-1/4 / 32-7/8	63-3/4 / 30-5/8	78-7/16	79-1/2	37.18	37.68	21.3	3	LC55
7582	PA/AP	72 / 34-3/4	67-1/2 / 32-1/2	78-7/16	79-1/2	39.2	39.8	23.0	3	LC55
2686	F	–	–	–	–	–	–	6.3	3	LC55
3086	F	–	–	–	–	–	–	8.5	3	LC55
3486	F	–	–	–	–	–	–	10.2	3	LC55
3686	F	–	–	–	–	–	–	11.4	3	LC55
3886	F	–	–	–	–	–	–	12.3	3	LC55
2686	L/R	22-5/16	20-1/16	82-15/16	84	12.9	13.0	6.3	3	LC55
3086	L/R	26-15/16	24-11/16	82-15/16	84	15.5	15.7	8.5	3	LC55
3486	L/R	30-7/16	28-3/16	82-15/16	84	17.5	17.8	10.2	3	LC55
3686	L/R	32-15/16	30-11/16	82-15/16	84	19.0	19.2	11.4	3	LC55
3886	L/R	34-13/16	32-9/16	82-15/16	84	20.1	20.3	12.3	3	LC55
5086	FA/AF	22-5/16	20-1/16	82-15/16	84	12.9	13.0	12.5	3	LC55
6086	FA/AF	26-15/16	24-11/16	82-15/16	84	15.5	15.7	17.0	3	LC55
6786	FA/AF	30-7/16	28-3/16	82-15/16	84	17.5	17.8	20.4	3	LC55
7286	FA/AF	32-15/16	30-11/16	82-15/16	84	19.0	19.2	22.8	3	LC55
7586	FA/AF	34-13/16	32-9/16	82-15/16	84	20.1	20.3	24.6	3	LC55
5086	PA/AP	47 / 22-1/4	42-1/2 / 20	82-15/16	84	27.1	27.4	12.5	3	LC55
6086	PA/AP	56-1/4 / 26-7/8	51-3/4 / 24-5/8	82-15/16	84	32.4	32.8	17.0	3	LC55
6786	PA/AP	63-1/4 / 30-7/8	58-3/4 / 28-5/8	82-15/16	84	36.4	36.9	20.4	3	LC55
7286	PA/AP	68-1/4 / 32-7/8	63-3/4 / 30-5/8	82-15/16	84	39.3	39.8	22.8	3	LC55
7586	PA/AP	72 / 34-3/4	67-1/2 / 32-1/2	82-15/16	84	41.5	42.0	24.6	3	LC55

(-) = Not Applicable

(1) All dimensions are approximate to the nearest 1/16". The second value, where shown, provides the clear opening for the active panel only.

(2) Maximum Performance when glazed with the appropriate glass thickness.

To convert areas to square meters (m²), multiply square feet by 0.0929.



IN-SWING DOOR

DESIGN DATA

Aluminum-Clad Wood



IN-SWING FRENCH DESIGN DATA

8' 0" DOORS

Unit	Single and Double Doors	Clear Opening (Inches) ₁				Vent Area (Standard Sill)	Vent Area (ADA Sill)	Visible Glass Ft ²	Standard Glass Thickness (mm) Tempered	Performance Class & Grade ₂
		Width (172°)	Width (90°)	Standard Sill Unit Height	ADA Sill Unit Height					
2696	F	–	–	–	–	–	–	7.1	3	LC55
3096	F	–	–	–	–	–	–	9.6	3	LC55
3496	F	–	–	–	–	–	–	11.5	3	LC55
3696	F	–	–	–	–	–	–	12.9	3	LC55
3896	F	–	–	–	–	–	–	13.9	3	LC55
2696	L/R	22-5/16	20-1/16	92-7/16	93-1/2	14.3	14.5	7.1	3	LC55
3096	L/R	26-15/16	24-11/16	92-7/16	93-1/2	17.3	17.5	9.6	3	LC55
3496	L/R	30-7/16	28-3/16	92-7/16	93-1/2	19.5	19.8	11.5	3	LC55
3696	L/R	32-15/16	30-11/16	92-7/16	93-1/2	21.1	21.4	12.9	3	LC55
3896	L/R	34-13/16	32-9/16	92-7/16	93-1/2	22.4	22.6	13.9	3	LC55
5096	FA/AF	22-5/16	20-1/16	92-7/16	93-1/2	14.3	14.5	14.2	3	LC55
6096	FA/AF	26-15/16	24-11/16	92-7/16	93-1/2	17.3	17.5	19.3	3	LC55
6796	FA/AF	30-7/16	28-3/16	92-7/16	93-1/2	19.5	19.8	23.2	3	LC55
7296	FA/AF	32-15/16	30-11/16	92-7/16	93-1/2	21.1	21.4	25.8	3	LC55
7596	FA/AF	34-13/16	32-9/16	92-7/16	93-1/2	22.4	22.6	27.9	3	LC55
5096	PA/AP	47 / 22-1/4	42-1/2 / 20	92-7/16	93-1/2	30.2	30.5	14.2	3	LC55
6096	PA/AP	56-1/4 / 26-7/8	51-3/4 / 24-5/8	92-7/16	93-1/2	36.1	36.5	19.3	3	LC55
6796	PA/AP	63-1/4 / 30-7/8	58-3/4 / 28-5/8	92-7/16	93-1/2	40.6	41.1	23.2	3	LC55
7296	PA/AP	68-1/4 / 32-7/8	63-3/4 / 30-5/8	92-7/16	93-1/2	43.8	44.3	25.8	3	LC55
7596	PA/AP	72 / 34-3/4	67-1/2 / 32-1/2	92-7/16	93-1/2	46.2	46.8	27.9	3	LC55

(–) = Not Applicable

(1) All dimensions are approximate to the nearest 1/16". The second value, where shown, provides the clear opening for the active panel only.

(2) Maximum Performance when glazed with the appropriate glass thickness.

To convert areas to square meters (m²), multiply square feet by 0.0929.



IN-SWING DOOR

DESIGN DATA

Aluminum-Clad Wood



TRANSOMS

Unit	Visible Glass Ft ²	Standard Glass Thickness (mm)		Performance Class and Grade ⁽¹⁾
		Annealed	Tempered	
2614	1.7	3	3	CW50
2617	2.2	3	3	CW50
2625	3.4	3	3	CW50
3014	2.0	3	3	CW50
3017	2.6	3	3	CW50
3025	4.0	3	3	CW50
3414	2.3	3	3	CW50
3417	2.9	3	3	CW50
3425	4.6	3	3	CW50
3614	2.4	3	3	CW50
3617	3.1	3	3	CW50
3625	4.9	3	3	CW50
3814	2.6	3	3	CW50
3817	3.3	3	3	CW50
3825	5.2	3	3	CW50
5014	3.5	3	3	CW50
5017	4.5	3	3	CW50
5025	7.1	3	3	CW50
6014	4.2	3	3	CW50
6017	5.4	3	3	CW50
6025	8.6	3	3	CW50
7214 ^T	5.1	–	3	CW40
7217	6.6	3	3	CW40
7225	10.4	3	3	CW40
7514 ^T	5.4	–	3	CW40
7517	6.9	3	3	CW40
7525	10.8	3	3	CW40

SIDELIGHTS

Unit	Visible Glass Ft ²	Frame Area Ft ²	Performance Class and Grade ⁽¹⁾
1880	3.9	9.9	LC55
1881	4.0	10.0	LC55
1882	4.0	10.2	LC55
1886	4.3	10.8	LC55
1896	4.9	11.9	LC55

T = Tempered required due to aspect ratio.

(1) Maximum Performance when glazed with the appropriate glass thickness.

To convert areas to square meters (m²), multiply square feet by 0.0929.



IN-SWING DOOR

DESIGN DATA

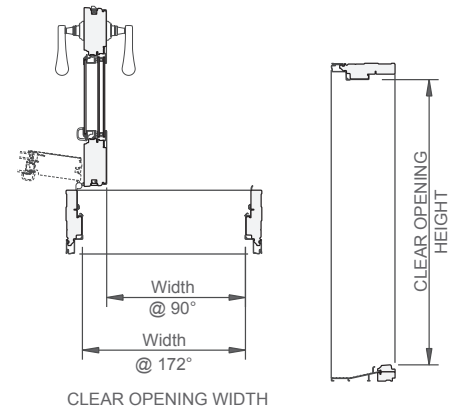
Aluminum-Clad Wood

Miscellaneous Formulas

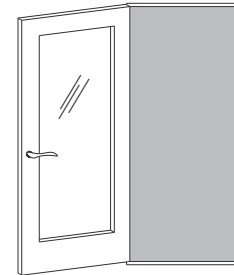


	VISIBLE GLASS	ACTUAL GLASS ¹
DOORS	Width (Single Door) = Frame - 12-15/32" Width (Double Door) = (Frame - 24-1/4") / 2 Height = Frame - 16-1/4"	Width (Single Door) = Frame - 11-9/32" Width (Double Door) = (Frame - 21-7/8") / 2 Height = Frame - 15-1/16"
TRANSOMS	Width = Frame - 3-1/4" Height = Frame - 3-1/4"	Width = Frame - 2" Height = Frame - 2"
SIDELIGHTS	Width = Frame - 9-1/16" Height = Frame - 16-1/4"	Width = Frame - 7-7/8" Height = Frame - 15-1/16"

Clear Opening Schematic



	CLAD	
	Width	Height
CLEAR OPENING (@ 90°)	Width (Double Door-Active Panel) = (Frame / 2) - 4-3/8" Width (Double Door-Both Panels) = Frame - 6-21/32" Width (Single Door) = Frame - 4-15/16"	Height = Frame - 3-1/4"
CLEAR OPENING (@ 172°)	Width (Double Door-Active Panel) = (Frame Width / 2) - 2-7/16" Width (Double Door-Both Panels) = Frame - 3-5/32" Width (Single Door) = Frame - 3"	Height = Frame - 3-1/4"



Shade Handling Guide

UNIT TYPE	SHADE OPERATOR LOCATION FROM EXTERIOR	INTERIOR HINGED GLASS STYLE
SINGLE FIXED PANEL	Optional-Left or Right	Side Hinge
LEFT-HAND RIGHT-HAND	Left	Side Hinge
	Right	Side Hinge
ACTIVE-FIXED	A-Right	Side Hinge
	F-Left	Side Hinge
FIXED-ACTIVE	F-Right	Side Hinge
	A-Left	Side Hinge
ACTIVE-PASSIVE	A-Left	Side Hinge
	P-Right	Side Hinge
PASSIVE-ACTIVE	P-Left	Side Hinge
	A-Right	Side Hinge
FIXED SIDELIGHT	Optional-Left or Right	

(1) Actual glass of Interior Hinged Glass Panel is 1/2" smaller than the exterior glass.



IN-SWING DOOR

DETAILED PRODUCT DESCRIPTIONS

Aluminum-Clad Wood



FRAME

- Select softwood, immersion treated with Pella's EnduraGuard® wood protection formula in accordance with WDMA I.S.-4. The EnduraGuard formula includes three active ingredients for protection against the effects of moisture, decay, stains from mold and mildew. Plus, an additional ingredient adds protection against termite damage.
- Interior exposed surfaces are clear pine, edge-banded or veneered.
- Exterior surfaces are clad with aluminum at the head and jambs.
- Frame depth between 5-7/8" (149mm) to 8-5/8" (219mm), for wall depth between 4-9/16" (116mm) to 7-5/16" (186mm).
- Optional factory-applied EnduraClad® exterior trim.
- Solid extruded aluminum sill with [brown EnduraClad®] [mill] [satin nickel anodized] [bronze anodized] finish with oak threshold.
- Sill is 1/2" low profile. Material and finish are extruded aluminum with [mill] [Bronze anodized] finish. (Not available on fixed doors.)

DOOR PANELS

- Select softwood, immersion treated with Pella's EnduraGuard® wood protection formula in accordance with WDMA I.S.-4. The EnduraGuard formula includes three active ingredients for protection against the effects of moisture, decay, stains from mold and mildew. Plus, an additional ingredient adds protection against termite damage.
- Interior exposed surfaces are veneered with clear pine with no visible fastener holes.
- Exterior surfaces are clad with aluminum.
- Panel rails and hinge stiles are three-ply construction, randomly finger-jointed blocks laminated with water-resistant glue and pine-veneered on both sides.
- Panel lock stiles are constructed with LVL core with clear pine edge bands on both sides and veneered on both faces.
- Corners are urethane-sealed and secured with metal fasteners.
- Panel thickness is 2-1/16" (52mm).

WEATHERSTRIPPING

- Dual-durometer extruded polymer along perimeter of door frames.
- Bristle rainscreen along bottom of panel.

GLAZING SYSTEM

- Quality fully-tempered float glass complying with ASTM C 1048.
- Triple-Pane Glazing
 - Exterior dual-seal insulating glass, silicone-glazed, [[clear] [[Advanced] [SunDefense™] [AdvancedComfort] [NaturalSun] Low-E coated, with argon] [[bronze] [gray] [green] [non-impact laminated] Advanced Low-E coated, with argon]].
 - High altitude Glazing available.
 - Interior hinged tempered glass panel set in veneer covered aluminum frame, fitted to sash with continuous gasket seal, [[clear] [obscure]].
 - Airspace is 1-3/32".

EXTERIOR

- Aluminum clad exteriors shall be finished with EnduraClad® protective finish, in a multi-step, baked-on finish.
- Color is [White] [Tan] [Brown] [Putty] [Feature 1] [Custom 1].
- Aluminum clad exteriors shall be finished with EnduraClad Plus protective finish with 70% fluoropolymer resin in a multi-step, baked-on finish.
- Color is [White] [Tan] [Brown] [Putty] [Feature 1] [Custom 1].

INTERIOR

- [Unfinished, ready for site finishing] [factory primed with one coat acrylic latex] [factory prefinished [White] [Linen White] [Bright White] [stain1]].

HARDWARE

- Hinges are adjustable to help with installation.
- Doors over 7' 0" frame height have four (4) hinges per panel.
- Doors 7' 0" and under frame height have three (3) hinges per panel.
- Mortised and keyed multi-point locking system, center deadbolt and shoot-bolts at head and sill will engage simultaneously.
- Solid brass handles and keylock with Schlage® configured C-K keyway pinlock cylinder.
- Key cylinder finish is [Brass] [Oil-Rubbed Bronze] [baked enamel Brown] [Stainless Steel].
- Hardware finish (Handle, Hinges and Strike) is [Brass] [Satin Nickel] [baked enamel Brown] [Antique Brass] [Chrome] [Oil-Rubbed Bronze].
- Brass and Satin Nickel handle finish is a PVD High Performance finish.

OPTIONAL PRODUCTS

Grilles

- Removable Between-Glass Grilles
 - 3/4" profile with [Traditional] [Prairie] [Cross] [Top Row] [New England] patterns that are a contoured aluminum grille installed on the edge of the hinged glass panel.
 - Interior [unfinished, ready for site finishing] [factory primed] [pine: factory prefinished [White] [Linen White] [Bright White] [stain 1]].
 - Exterior finish will match exterior color cladding.
 - Removable Grilles (for transoms units)
 - 3/4" regular profile with traditional pattern that is removable solid wood bars steel-pinned at joints and fitted into unit with steel clips and tacks.
 - Surfaces unfinished, ready for site finishing.

Screens

- Finish matches exterior cladding.
- Hinged Insect Screens:
 - Compliance: ASTM D 3656 and SMA 1201.
 - Screen Cloth: InView™ Vinyl-coated fiberglass, 18/18 mesh fiberglass screen cloth complying SMA 1201.
 - Extruded-aluminum frame, hinged to door frame.
 - Complete with necessary hardware.
 - Hardware Color: [White] [Tan] [Brown].
- Exterior Sliding Insect Screens:
 - Compliance: ASTM D 3656 and SMA 1201.
 - Screen Cloth: InView™ Vinyl-coated fiberglass, 18/18 mesh fiberglass screen cloth complying SMA 1201.
 - Extruded-aluminum frame, top hung on two (2) adjustable nylon rollers.
 - Complete with necessary hardware.
 - Hardware Color: [White] [Tan] [Brown].

Window Fashions

- Slimshade® Blinds 1
 - 15mm aluminum slat [tilt-only] [bottom-up] blinds with polyester cord ladder.
 - Installed on the hinged glass panel and controlled by built-in cordless operating mechanism.
- Cellular Fabric Shades 1
 - Spun bond Polyethylene Terephthalate (PET) cellular fabric, 11/16" in width, hidden polyester cord [bottom-up] [top-down].
 - Installed on the hinged glass panel and controlled by built-in cordless operating mechanism.

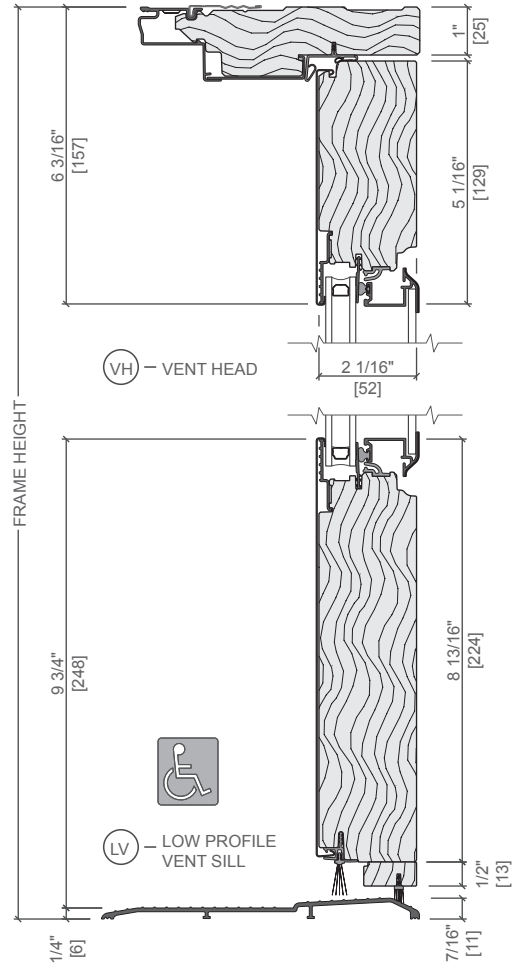
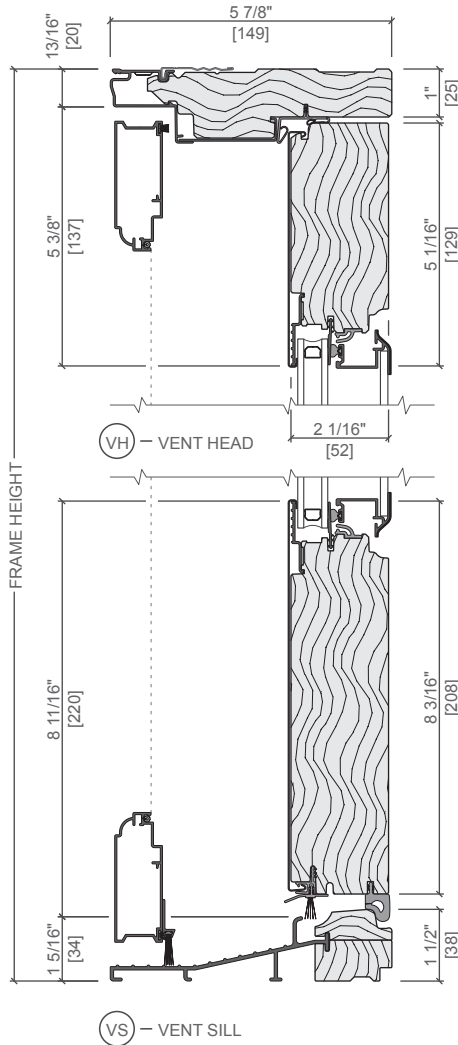
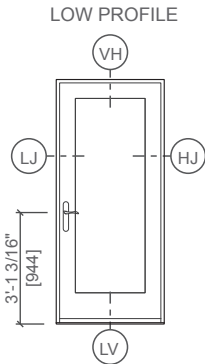
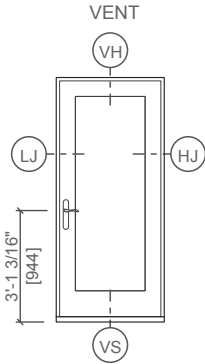
(1) Contact your local Pella sales representative for current designs and color options.

Schlage is a registered trademark of Schlage Lock Company.

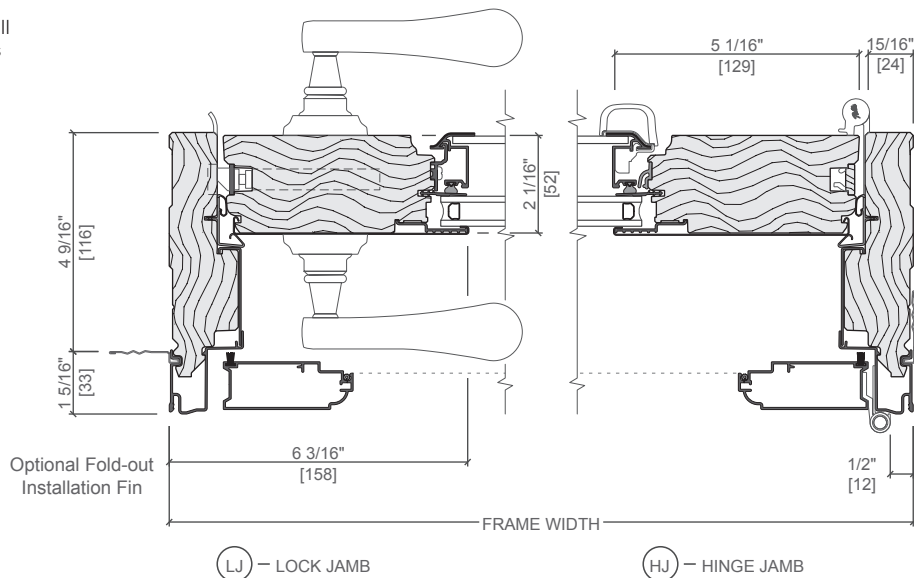


IN-SWING DOOR

UNIT SECTIONS
 Aluminum-Clad Wood
 Triple-Pane Glazing



Handle Height Dimension shown is from bottom of unit frame to door handle. Installation method used and finished flooring conditions will cause handle height to vary. Doors not using the standard Pella multi-point lock and hardware (specified as 'No lock/No Bore') are not Hallmark certified.



Scale 3" = 1' 0"

All dimensions are approximate.

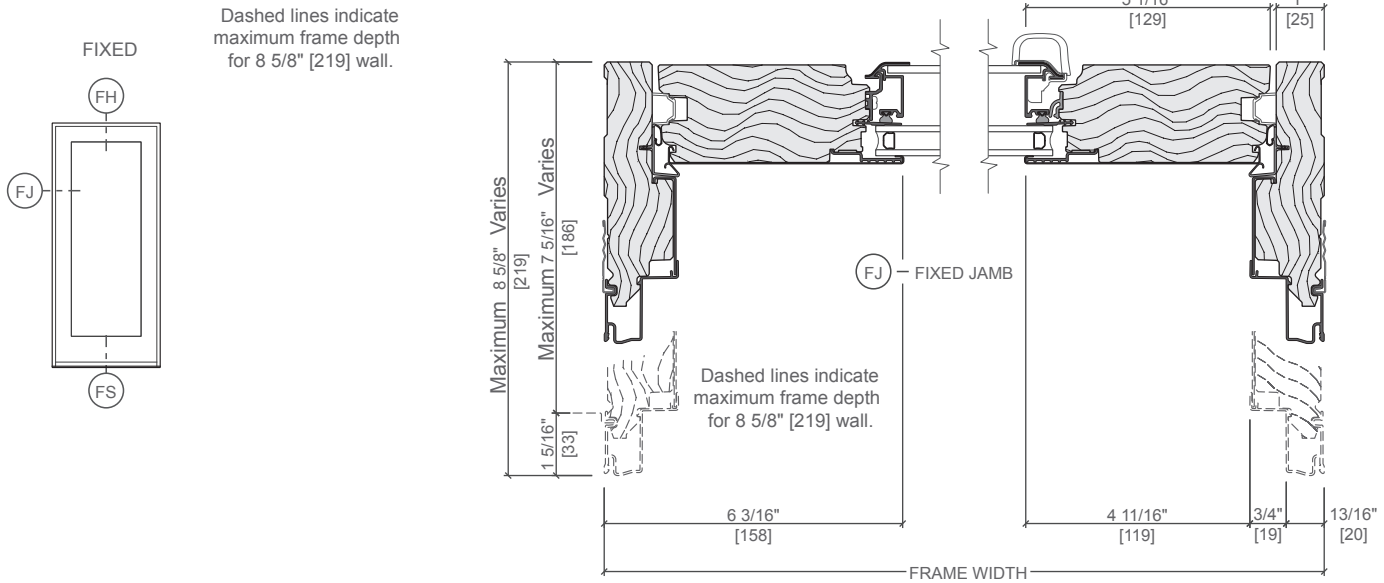
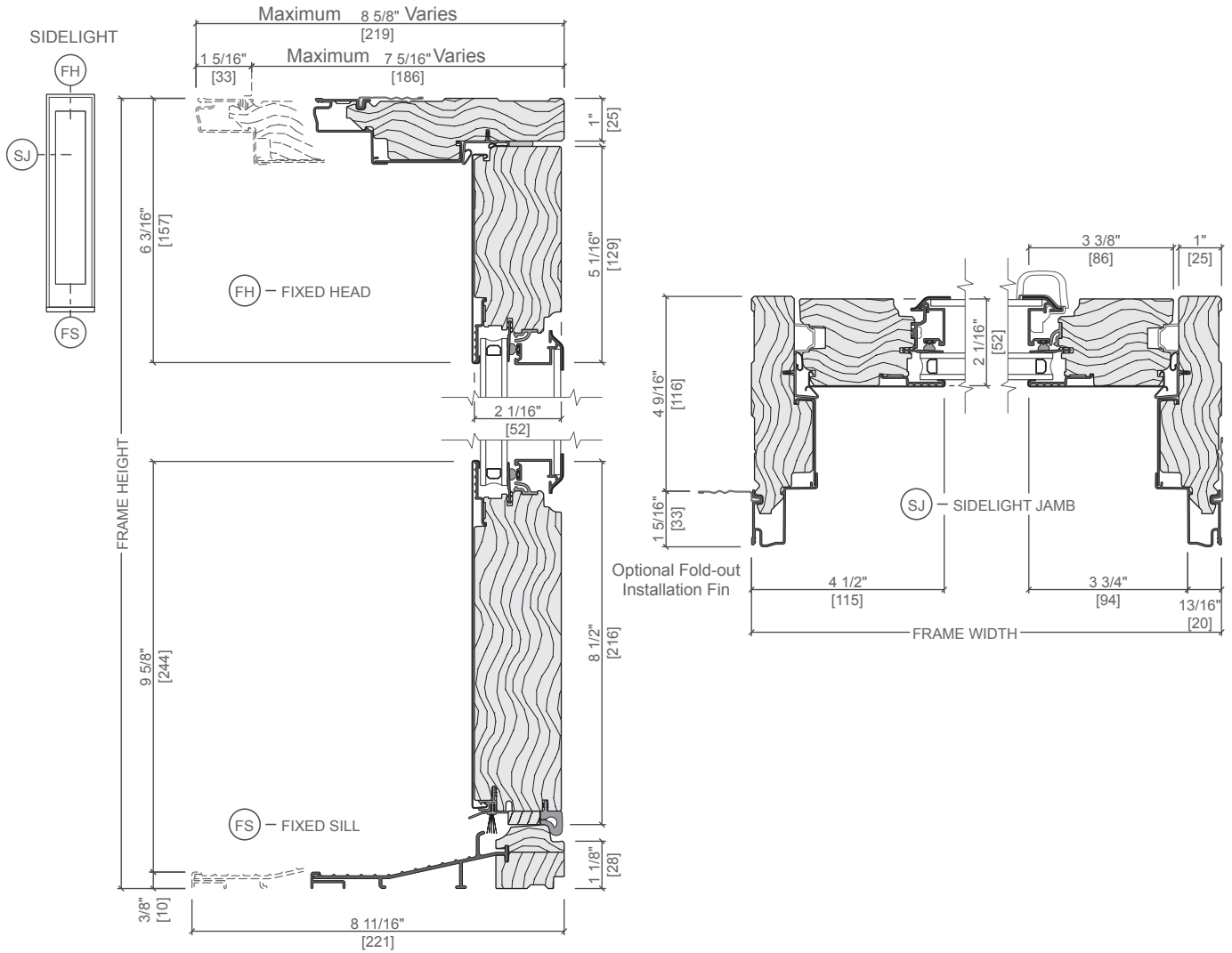


IN-SWING DOOR

UNIT SECTIONS

Aluminum-Clad Wood

Fixed with Triple-Pane Glazing



Scale 3" = 1' 0"

All dimensions are approximate.



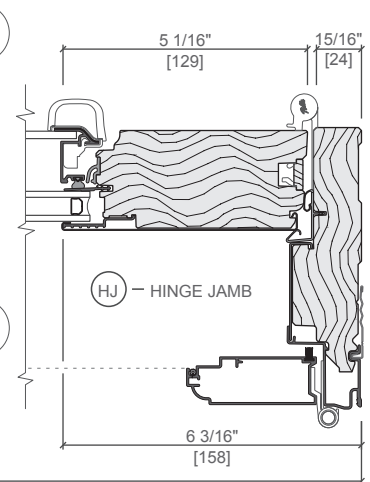
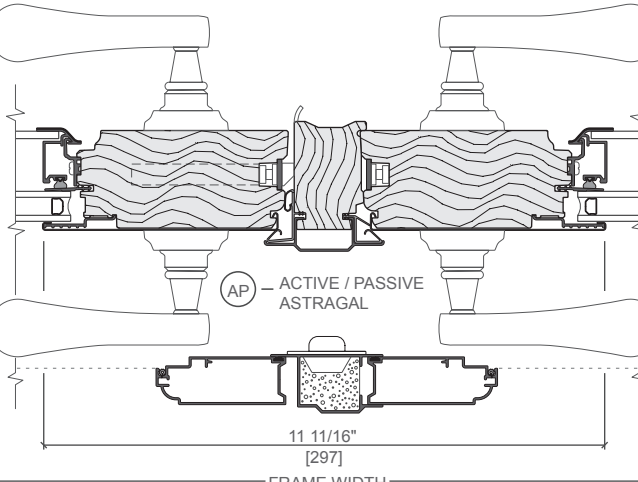
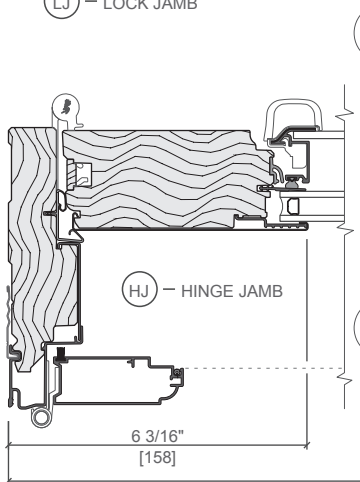
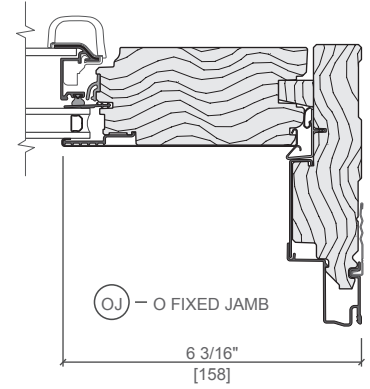
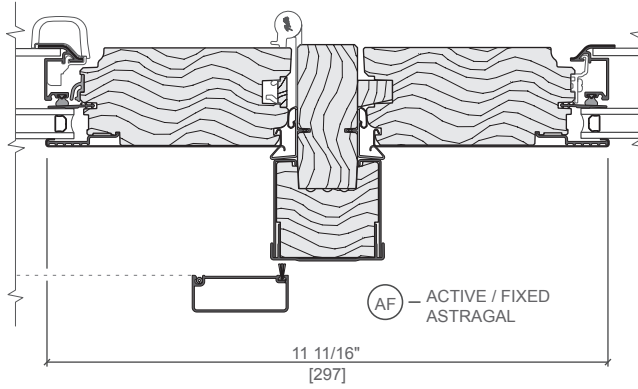
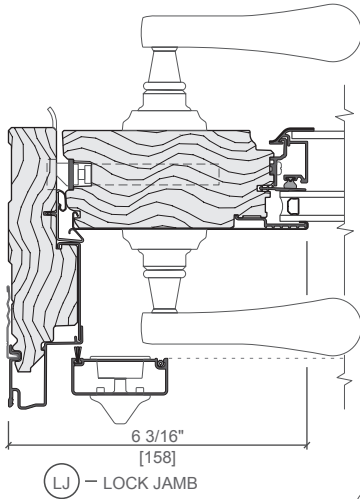
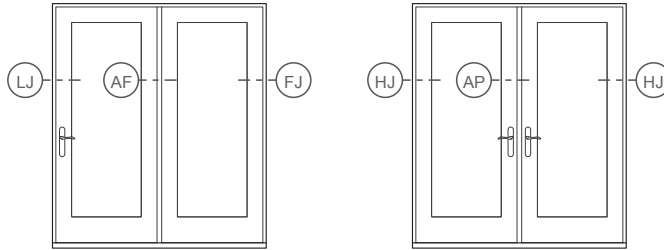
IN-SWING DOOR

UNIT SECTIONS
 Aluminum-Clad Wood
 Triple-Pane Glazing

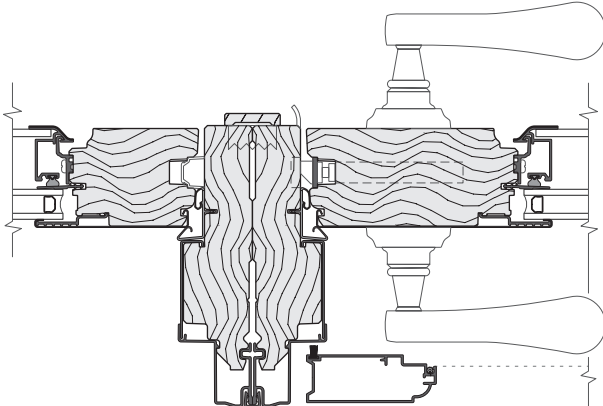


ACTIVE / FIXED
 ASTRAGAL

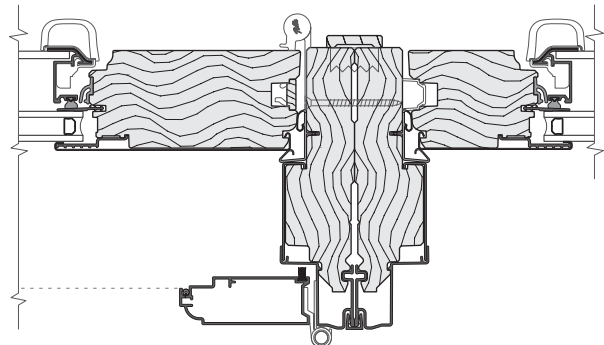
ACTIVE / PASSIVE
 ASTRAGAL



FRAME WIDTH



VERTICAL JOINING MULLION
 SIDELIGHT / LOCK JAMB



VERTICAL JOINING MULLION
 HINGE JAMB / SIDELIGHT

Scale 3" = 1' 0"

All dimensions are approximate.

See Installation and Performance at www.PellaADM.com for mullion limitations and reinforcing requirements.

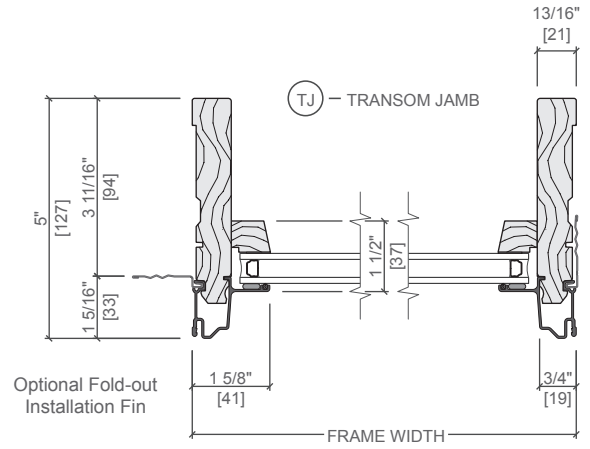
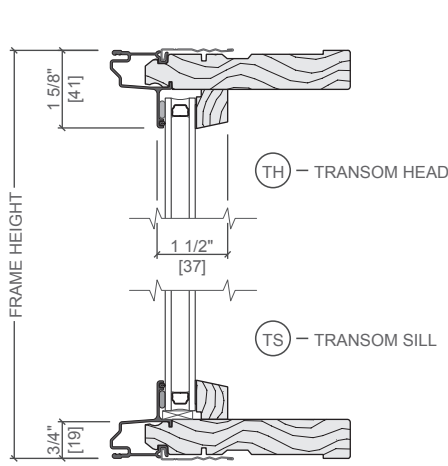
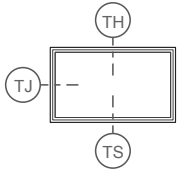


IN-SWING DOOR

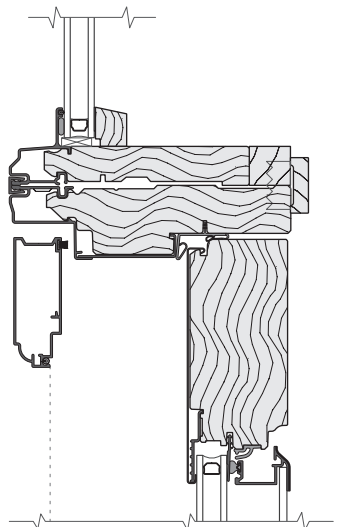
UNIT SECTIONS
Aluminum-Clad Wood
Transom



FIXED FRAME
TRANSOM



TYPICAL JOINING MULLIONS



HORIZONTAL JOINING MULLION
TRANSOM / IN-SWING FRENCH DOOR

Scale 3" = 1' 0"

All dimensions are approximate.

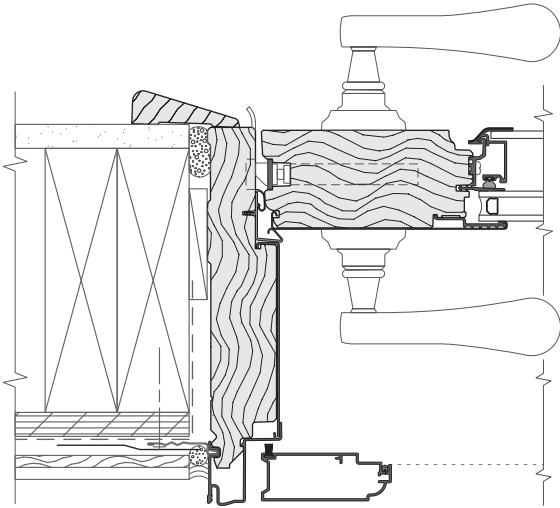
See Installation and Performance at www.PellaADM.com for mullion limitations and reinforcing requirements.



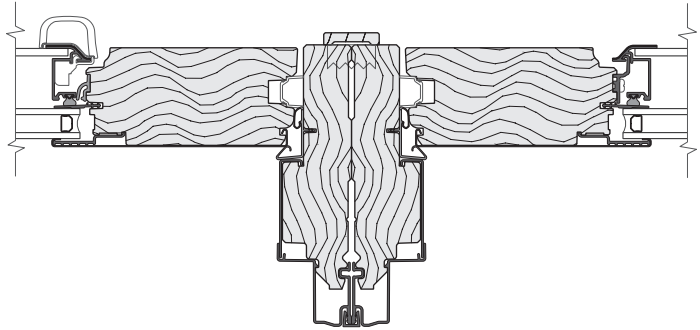
IN-SWING DOOR

UNIT SECTIONS

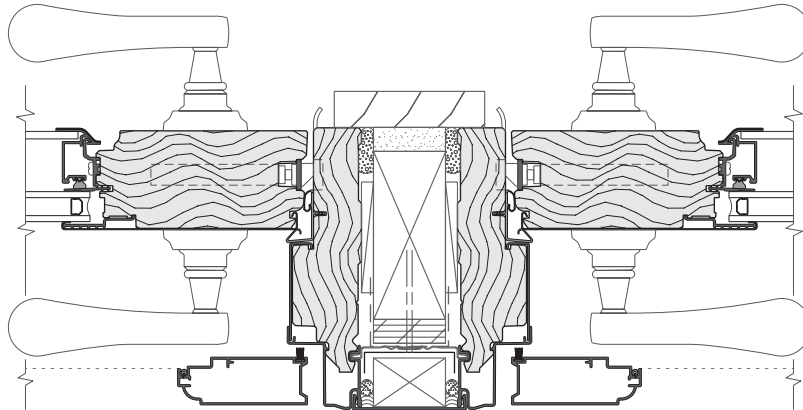
Aluminum-Clad Wood
Typical Joining Mullions



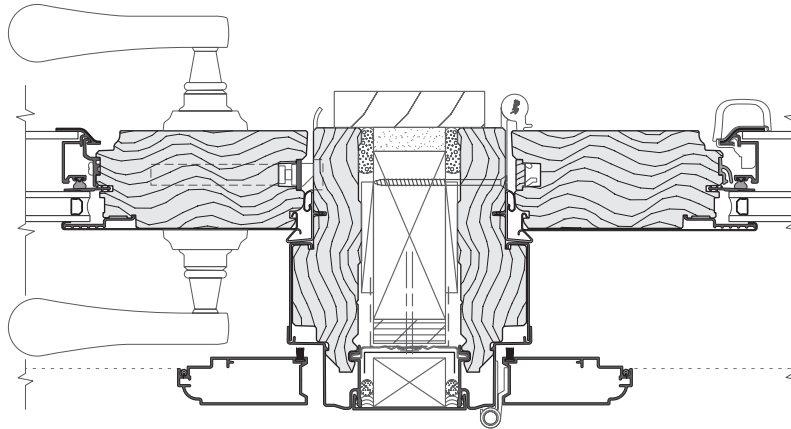
LOCK JAMB
W/ 6-9/16" JAMB



VERTICAL JOINING MULLION
FIXED PANELS



VERTICAL STRUCTURAL MULLION
OPERABLE PANELS



VERTICAL STRUCTURAL MULLION
OPERABLE PANELS

All dimensions are approximate.

• Use standard joining mullions when joining fixed door panels.

• Sidelights or fixed panels may be joined directly to operable door panels. Composite must be installed with head drip fin and installation fins per standard installation instructions.

• Structural mullion must be used for all other combinations.



IN-SWING DOOR

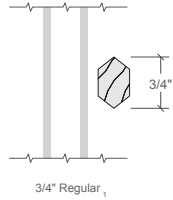
GRILLE TYPES

Typical Grille Profiles and Patterns

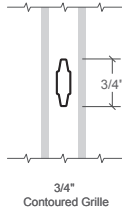


Grille Profiles

Removable Interior Pine Grilles



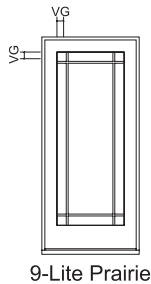
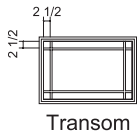
Grilles-Between-the-Glass



Grille Patterns

Grilles-Between-the-Glass and Simulated-Divided-Light Grilles with optional spacer

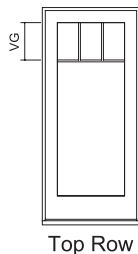
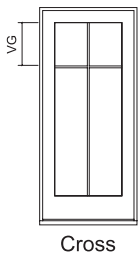
PRAIRIE LITE PATTERNS



Prairie

- Standard corner lite dimension = 3-1/2" VG.
- 9-lite pattern only.

OTHER AVAILABLE PATTERNS



Cross

- Horizontal bar is 1/4 of visible glass from the top in door panels.
- Not available in transoms.

Top Row

- Horizontal bar may be ordered 12", 14" or 16" from the top VG.
- Transoms with frame heights $\geq 21"$, the horizontal bar will be positioned at 1/2 the visible glass height.
- Top Row not available in transoms with frame height $< 21"$.

For traditional patterns, see size tables.

VG = Visible Glass

(1) Available in Pine, Mahogany, Alder or Douglas Fir to match complete unit.

Lite dimensions noted can vary.

Custom configurations are available; for details contact your local Pella sales representative.



IN-SWING DOOR

SIZE TABLES

Aluminum-Clad Wood

6' 7" Doors



Contemporary

6' 7" Single Doors

Fixed	(781) (762)	(870) (851)	(933) (914)	(981) (962)
Opening	2' 6 3/4"	2' 10 1/4"	3' 0 3/4"	3' 2 5/8"
Frame	2' 6"	2' 9 1/2"	3' 0"	3' 1 7/8"

FIXED 3080 FIXED 3480 FIXED 3680 FIXED 3880

Hinged

Hinged	(781) (762)	(870) (851)	(933) (914)	(981) (962)
Opening	2' 6 3/4"	2' 10 1/4"	3' 0 3/4"	3' 2 5/8"
Frame	2' 6"	2' 9 1/2"	3' 0"	3' 1 7/8"

LEFT 3080 LEFT 3480 LEFT 3680 LEFT 3880

6' 7" Double Doors Fixed-Active

	(1 524) (1 505)	(1 702) (1 682)	(1 829) (1 810)	(1 924) (1 905)
Opening	5' 0"	5' 7"	6' 0"	6' 3 3/4"
Frame	4' 11 1/4"	5' 6 1/4"	5' 11 1/4"	6' 3"

FIXED-ACTIVE 6080 FIXED-ACTIVE 6780 FIXED-ACTIVE 7280 FIXED-ACTIVE 7580

6' 7" Double Doors Active-Passive

	(1 524) (1 505)	(1 702) (1 682)	(1 829) (1 810)	(1 924) (1 905)
Opening	5' 0"	5' 7"	6' 0"	6' 3 3/4"
Frame	4' 11 1/4"	5' 6 1/4"	5' 11 1/4"	6' 3"

ACTIVE-PASSIVE 6080 ACTIVE-PASSIVE 6780 ACTIVE-PASSIVE 7280 ACTIVE-PASSIVE 7580

French

6' 7" Single Doors

Fixed	(781) (762)	(870) (851)	(933) (914)	(981) (962)
Opening	2' 6 3/4"	2' 10 1/4"	3' 0 3/4"	3' 2 5/8"
Frame	2' 6"	2' 9 1/2"	3' 0"	3' 1 7/8"

FIXED 3080 FIXED 3480 FIXED 3680 FIXED 3880

Hinged

Hinged	(781) (762)	(870) (851)	(933) (914)	(981) (962)
Opening	2' 6 3/4"	2' 10 1/4"	3' 0 3/4"	3' 2 5/8"
Frame	2' 6"	2' 9 1/2"	3' 0"	3' 1 7/8"

LEFT 3080 LEFT 3480 LEFT 3680 LEFT 3880

6' 7" Double Doors Fixed-Active

	(1 524) (1 505)	(1 702) (1 682)	(1 829) (1 810)	(1 924) (1 905)
Opening	5' 0"	5' 7"	6' 0"	6' 3 3/4"
Frame	4' 11 1/4"	5' 6 1/4"	5' 11 1/4"	6' 3"

FIXED-ACTIVE 6080 FIXED-ACTIVE 6780 FIXED-ACTIVE 7280 FIXED-ACTIVE 7580

6' 7" Double Doors Active-Passive

	(1 524) (1 505)	(1 702) (1 682)	(1 829) (1 810)	(1 924) (1 905)
Opening	5' 0"	5' 7"	6' 0"	6' 3 3/4"
Frame	4' 11 1/4"	5' 6 1/4"	5' 11 1/4"	6' 3"

ACTIVE-PASSIVE 6080 ACTIVE-PASSIVE 6780 ACTIVE-PASSIVE 7280 ACTIVE-PASSIVE 7580

Not to scale.

Traditional grille patterns shown. Refer to Clad/Wood Overview section for additional patterns and profiles.

All doors are glazed with tempered glass.



IN-SWING DOOR

SIZE TABLES

Aluminum-Clad Wood

6' 10" Doors



Contemporary

6' 10" Single Door

Fixed	(781) (762)	(870) (851)	(933) (914)	(981) (962)
Opening	2' 6 3/4"	2' 10 1/4"	3' 0 3/4"	3' 2 5/8"
Frame	2' 6"	2' 9 1/2"	3' 0"	3' 1 7/8"

FIXED 3082 FIXED 3482 FIXED 3682 FIXED 3882

Hinged

Hinged	(781) (762)	(870) (851)	(933) (914)	(981) (962)
Opening	2' 6 3/4"	2' 10 1/4"	3' 0 3/4"	3' 2 5/8"
Frame	2' 6"	2' 9 1/2"	3' 0"	3' 1 7/8"

LEFT 3082 LEFT 3482 LEFT 3682 LEFT 3882

6' 10" Double-Swing Doors Fixed-Active

	(1 524) (1 505)	(1 702) (1 682)	(1 829) (1 810)	(1 924) (1 905)
Opening	5' 0"	5' 7"	6' 0"	6' 3 3/4"
Frame	4' 11 1/4"	5' 6 1/4"	5' 11 1/4"	6' 3"

FIXED-ACTIVE 6082 FIXED-ACTIVE 6782 FIXED-ACTIVE 7282 FIXED-ACTIVE 7582

6' 10" Double Doors Active-Passive

	(1 524) (1 505)	(1 702) (1 682)	(1 829) (1 810)	(1 924) (1 905)
Opening	5' 0"	5' 7"	6' 0"	6' 3 3/4"
Frame	4' 11 1/4"	5' 6 1/4"	5' 11 1/4"	6' 3"

ACTIVE-PASSIVE 6082 ACTIVE-PASSIVE 6782 ACTIVE-PASSIVE 7282 ACTIVE-PASSIVE 7582

French

6' 10" Single Door

Fixed	(781) (762)	(870) (851)	(933) (914)	(981) (962)
Opening	2' 6 3/4"	2' 10 1/4"	3' 0 3/4"	3' 2 5/8"
Frame	2' 6"	2' 9 1/2"	3' 0"	3' 1 7/8"

FIXED 3082 FIXED 3482 FIXED 3682 FIXED 3882

Hinged

Hinged	(781) (762)	(870) (851)	(933) (914)	(981) (962)
Opening	2' 6 3/4"	2' 10 1/4"	3' 0 3/4"	3' 2 5/8"
Frame	2' 6"	2' 9 1/2"	3' 0"	3' 1 7/8"

LEFT 3082 LEFT 3482 LEFT 3682 LEFT 3882

6' 10" Double-Swing Doors Fixed-Active

	(1 524) (1 505)	(1 702) (1 682)	(1 829) (1 810)	(1 924) (1 905)
Opening	5' 0"	5' 7"	6' 0"	6' 3 3/4"
Frame	4' 11 1/4"	5' 6 1/4"	5' 11 1/4"	6' 3"

FIXED-ACTIVE 6082 FIXED-ACTIVE 6782 FIXED-ACTIVE 7282 FIXED-ACTIVE 7582

6' 10" Double Doors Active-Passive

	(1 524) (1 505)	(1 702) (1 682)	(1 829) (1 810)	(1 924) (1 905)
Opening	5' 0"	5' 7"	6' 0"	6' 3 3/4"
Frame	4' 11 1/4"	5' 6 1/4"	5' 11 1/4"	6' 3"

ACTIVE-PASSIVE 6082 ACTIVE-PASSIVE 6782 ACTIVE-PASSIVE 7282 ACTIVE-PASSIVE 7582

Not to scale.

Traditional grille patterns shown. Refer to Clad/Wood Overview section for additional patterns and profiles.

All doors are glazed with tempered glass.



IN-SWING DOOR

SIZE TABLES

Aluminum-Clad Wood
8' 0" Doors



Contemporary

French

8' 0" Single Door
Fixed

	(781) (762)	(870) (851)	(933) (914)	(981) (962)
Opening	2' 6 3/4"	2' 10 1/4"	3' 0 3/4"	3' 2 5/8"
Frame	2' 6"	2' 9 1/2"	3' 0"	3' 1 7/8"

FIXED 3096 FIXED 3496 FIXED 3696 FIXED 3896

8' 0" Single Door
Fixed

	(781) (762)	(870) (851)	(933) (914)	(981) (962)
Opening	2' 6 3/4"	2' 10 1/4"	3' 0 3/4"	3' 2 5/8"
Frame	2' 6"	2' 9 1/2"	3' 0"	3' 1 7/8"

FIXED 3096 FIXED 3496 FIXED 3696 FIXED 3896

Hinged

	(781) (762)	(870) (851)	(933) (914)	(981) (962)
Opening	2' 6 3/4"	2' 10 1/4"	3' 0 3/4"	3' 2 5/8"
Frame	2' 6"	2' 9 1/2"	3' 0"	3' 1 7/8"

LEFT 3096 LEFT 3496 LEFT 3696 LEFT 3896

Hinged

	(781) (762)	(870) (851)	(933) (914)	(981) (962)
Opening	2' 6 3/4"	2' 10 1/4"	3' 0 3/4"	3' 2 5/8"
Frame	2' 6"	2' 9 1/2"	3' 0"	3' 1 7/8"

LEFT 3096 LEFT 3496 LEFT 3696 LEFT 3896

8' 0" Double-Swing Doors Fixed-Active

	(1 524) (1 505)	(1 702) (1 682)	(1 829) (1 810)	(1 924) (1 905)
Opening	5' 0"	5' 7"	6' 0"	6' 3 3/4"
Frame	4' 11 1/4"	5' 6 1/4"	5' 11 1/4"	6' 3"

FIXED-ACTIVE 6096 FIXED-ACTIVE 6796 FIXED-ACTIVE 7296 FIXED-ACTIVE 7596

8' 0" Double-Swing Doors Fixed-Active

	(1 524) (1 505)	(1 702) (1 682)	(1 829) (1 810)	(1 924) (1 905)
Opening	5' 0"	5' 7"	6' 0"	6' 3 3/4"
Frame	4' 11 1/4"	5' 6 1/4"	5' 11 1/4"	6' 3"

FIXED-ACTIVE 6096 FIXED-ACTIVE 6796 FIXED-ACTIVE 7296 FIXED-ACTIVE 7596

8' 0" Double Doors Active-Passive

	(1 524) (1 505)	(1 702) (1 682)	(1 829) (1 810)	(1 924) (1 905)
Opening	5' 0"	5' 7"	6' 0"	6' 3 3/4"
Frame	4' 11 1/4"	5' 6 1/4"	5' 11 1/4"	6' 3"

ACTIVE-PASSIVE 6096 ACTIVE-PASSIVE 6796 ACTIVE-PASSIVE 7296 ACTIVE-PASSIVE 7596

8' 0" Double Doors Active-Passive

	(1 524) (1 505)	(1 702) (1 682)	(1 829) (1 810)	(1 924) (1 905)
Opening	5' 0"	5' 7"	6' 0"	6' 3 3/4"
Frame	4' 11 1/4"	5' 6 1/4"	5' 11 1/4"	6' 3"

ACTIVE-PASSIVE 6096 ACTIVE-PASSIVE 6796 ACTIVE-PASSIVE 7296 ACTIVE-PASSIVE 7596

Not to scale.
Traditional grille patterns shown. Refer to Clad/Wood Overview section for additional patterns and profiles.
All doors are glazed with tempered glass.



IN-SWING DOOR

SIZE TABLES

Aluminum-Clad Wood
Transoms



Fixed Transoms

	(781) (762)	(870) (851)	(933) (914)	(981) (962)
Opening	2' 6 3/4"	2' 10 1/4"	3' 0 3/4"	3' 2 5/8"
Frame	2' 6"	2' 9 1/2"	3' 0"	3' 1 7/8"
(375) (356)	3014	3414	3614	3814
(432) (451)	3017	3417	3617	3817
(654) (635)	3025	3425	3625	3825

Fixed Transoms

	(1 524) (1 505)	(1 702) (1 682)	(1 829) (1 810)	(1 924) (1 905)
Opening	5' 0"	5' 7"	6' 0"	6' 3 3/4"
Frame	4' 11 1/4"	5' 6 1/4"	5' 11 1/4"	6' 3"
(375) (356)	6014	6714	7214 T	7514 T
(432) (451)	6017	6717	7217	7517
(654) (635)	6025	6725	7225	7525

Not to scale.

T Tempered glass is standard.

Traditional grille patterns shown. Refer to Clad/Wood Overview section for additional patterns and profiles.

All doors are glazed with tempered glass.



IN-SWING DOOR

DESIGN DATA

Aluminum-Clad Wood



IN-SWING DOOR

Unit	Single and Double Doors	Clear Opening (Inches)			Vent Area Ft ²	Visible Glass Ft ²		Standard Glass Thickness (mm)		Performance Class & Grade ₂
		Width (Open 176°) ₁	Width (Open 90°) ₁	Height (Inches)		French Panel	Contemporary Panel	Annealed	Tempered	
3080	F	–	–	–	–	8.6	9.2	–	3	LC50
3080	L/R	26-15/16	24-11/16	76-7/16	14.3	8.6	9.2	–	3	LC50
6080	AF /FA	26-15/16	24-11/16	76-7/16	14.3	17.2	18.3	–	3	LC50
6080	AI / IA	56-1/4	51-3/4	76-7/16	29.9	17.2	18.3	–	3	LC50
3480	F	–	–	–	–	10.2	10.8	–	3	LC50
3480	L/R	30-7/16	28-3/16	76-7/16	16.2	10.2	10.8	–	3	LC50
6780	AF/FA	30-7/16	28-3/16	76-7/16	16.2	20.3	21.6	–	3	LC50
6780	AI / IA	63-1/4	58-3/4	76-7/16	33.6	20.3	21.6	–	3	LC50
3680	F	–	–	–	–	11.3	12.0	–	3	LC50
3680	L/R	32-15/16	30-11/16	76-7/16	17.5	11.3	12.0	–	3	LC50
7280	AF/FA	32-15/16	30-11/16	76-7/16	17.5	22.6	24.0	–	3	LC50
7280	AI / IA	68-1/4	63-3/4	76-7/16	36.2	22.6	24.0	–	3	LC50
3880	F	–	–	–	–	12.1	12.9	–	3	LC50
3880	L/R	34-13/16	32-9/16	76-7/16	18.5	12.1	12.9	–	3	LC50
7580	AF/FA	34-13/16	32-9/16	76-7/16	18.5	24.2	25.8	–	3	LC50
3082	F	–	–	–	–	8.9	9.4	–	3	LC50
3082	L/R	26-15/16	24-11/16	78-7/16	14.7	8.9	9.4	–	3	LC50
6082	AF /FA	26-15/16	24-11/16	78-7/16	14.7	17.8	18.8	–	3	LC50
6082	AI / IA	56-1/4	51-3/4	78-7/16	30.6	17.8	18.8	–	3	LC50
3482	F	–	–	–	–	10.5	11.1	–	3	LC50
3482	L/R	30-7/16	28-3/16	78-7/16	16.6	10.5	11.1	–	3	LC50
6782	AF/FA	30-7/16	28-3/16	78-7/16	16.6	21.0	22.3	–	3	LC50
6782	AI / IA	63-1/4	58-3/4	78-7/16	34.5	21.0	22.3	–	3	LC50
3682	F	–	–	–	–	11.6	12.4	–	3	LC50
3682	L/R	32-15/16	30-11/16	78-7/16	17.9	11.6	12.4	–	3	LC50
7282	AF/FA	32-15/16	30-11/16	78-7/16	17.9	23.3	24.7	–	3	LC50
7282	AI / IA	68-1/4	63-3/4	78-7/16	37.2	23.3	24.7	–	3	LC50
3882	F	–	–	–	–	12.5	13.3	–	3	LC50
3882	L/R	34-13/16	32-9/16	78-7/16	19.0	12.5	13.3	–	3	LC50
7582	AF/FA	34-13/16	32-9/16	78-7/16	19.0	25.0	26.5	–	3	LC50
7582	AI / IA	72	67-1/2	78-7/16	39.2	25.0	26.5	–	3	LC50
3096	F	–	–	–	–	10.8	11.3	–	4	LC50
3096	L/R	26-15/16	24-11/16	92-7/16	17.3	10.8	11.3	–	4	LC50
6096	AF /FA	26-15/16	24-11/16	92-7/16	17.3	21.5	22.6	–	4	LC50
6096	AI / IA	56-1/4	51-3/4	92-7/16	36.1	21.5	22.6	–	4	LC50
3496	F	–	–	–	–	12.7	13.3	–	4	LC50
3496	L/R	30-7/16	28-3/16	92-7/16	19.5	12.7	13.3	–	4	LC50
6796	AF/FA	30-7/16	28-3/16	92-7/16	19.5	25.4	26.7	–	4	LC50
6796	AI / IA	63-1/4	58-3/4	92-7/16	40.6	25.4	26.7	–	4	LC50
3696	F	–	–	–	–	14.1	14.8	–	4	LC50
3696	L/R	32-15/16	30-11/16	92-7/16	21.1	14.1	14.8	–	4	LC50
7296	AF/FA	32-15/16	30-11/16	92-7/16	21.1	28.2	29.6	–	4	LC50
7296	AI / IA	68-1/4	63-3/4	92-7/16	43.8	28.2	29.6	–	4	LC50
3896	F	–	–	–	–	15.1	15.9	–	4	LC50
3896	L/R	34-13/16	32-9/16	92-7/16	22.3	15.1	15.9	–	4	LC50
7596	AF/FA	34-13/16	32-9/16	92-7/16	22.3	30.3	31.8	–	4	LC50
7596	AI / IA	72	67-1/2	92-7/16	46.2	30.3	31.8	–	4	LC50

(–) = Not Applicable

(1) All dimensions are approximate to the nearest 1/16".

(2) Maximum performance when glazed with the appropriate glass thickness. All doors are glazed with tempered glass.

To convert areas to square meters (m²), multiply square feet by 0.0929.



IN-SWING DOOR

DESIGN DATA

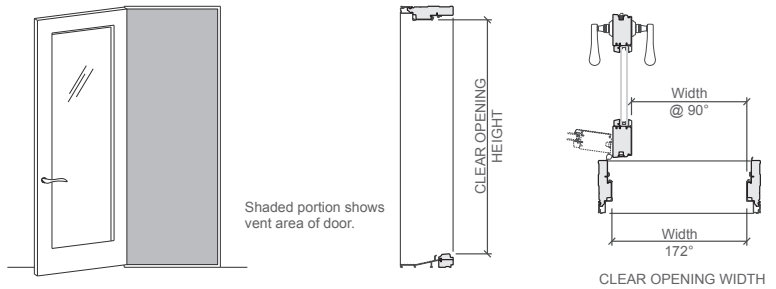
Aluminum-Clad Wood

Transoms and Miscellaneous Formulas



TRANSOMS

Unit	Visible Glass Ft ²	Standard Glass Thickness (mm)		Performance Class & Grade ²
		Annealed	Tempered	
3014	2.0	3	3	CW50
3017	2.6	3	3	CW50
3025	4.0	3	3	CW50
3414	2.3	3	3	CW50
3417	2.9	3	3	CW50
3425	4.6	3	3	CW50
3614	2.4	3	3	CW50
3617	3.1	3	3	CW50
3625	4.9	3	3	CW50
3814	2.6	3	3	CW50
3817	3.3	3	3	CW50
3825	5.2	3	3	CW50
6014	4.2	3	3	CW50
6017	5.3	3	3	CW50
6025	8.5	3	3	CW50
6714	4.7	3	3	CW50
6717	6.0	3	3	CW50
6725	9.5	3	3	CW50
7214T	5.1	–	3	CW40
7217	6.5	3	3	CW40
7225	10.3	3	3	CW40
7514T	5.4	–	3	CW40
7517	6.9	3	3	CW40
7525	10.8	3	3	CW40



CLEAR OPENING FORMULA		
	Width	Height
CLEAR OPENING (@ 176°)	Frame Width - 3-1/16"	Frame Height - 3-1/16"
CLEAR OPENING (@ 90°)	Frame Width - 5-5/16"	Frame Height - 3-1/16"

Miscellaneous Formulas

	DOORS	TRANSOMS
VISIBLE GLASS	Width (Double Door) = (Frame - 20.65") Width (Single Door) = Frame - 10.7" Contemporary Panel, Height = FH - 11.2055" French Panel, Height = FH - 15.2535"	Width = Frame - 3-1/4" Height = Frame - 3-1/4"
ACTUAL GLASS	Width (Double Door) = (Frame - 21.83") Width (Single Door) = Frame - 11.88" Contemporary Panel, Height = FH - 12.38" French Panel, Height = FH - 16.4335"	Width = Frame - 2" Height = Frame - 2"

(-) = Not Applicable

T = Tempered glass is standard.

(1) All dimensions are approximate to the nearest 1/16".

(2) Maximum performance when glazed with the appropriate glass thickness. All doors are glazed with tempered glass.

To convert areas to square meters (m²), multiply square feet by 0.0929.



IN-SWING DOOR

DETAILED PRODUCT DESCRIPTIONS

Aluminum-Clad Wood



FRAME

- Select softwood, immersion treated with Pella's EnduraGuard® wood protection formula in accordance with WDMA I.S.-4. The EnduraGuard formula includes three active ingredients for protection against the effects of moisture, decay, stains from mold and mildew. Plus, an additional ingredient adds protection against termite damage.
- Interior exposed surfaces are clear pine.
- Exterior surfaces are clad with aluminum at the head and jambs.
- Solid extruded aluminum sill with [brown EnduraClad] [mill] finish, with oak threshold.
- Factory-installed fold-out installation fins with flexible corners.
- Five frame depth options: [5-7/8" (149mm)] [6" (152mm)] [7-7/8" (200mm)] [8" (203mm)] [8-5/8" (219mm)], for wall depths 4-9/16" (116mm), 4-11/16" (119mm), 6-9/16" (167mm), 6-11/16" (170mm), 7-5/16" (186mm).
- Optional factory applied jamb extensions.
- Optional factory-applied EnduraClad® exterior trim.

DOOR PANELS

- Select softwood, immersion treated with Pella's EnduraGuard® wood protection formula in accordance with WDMA I.S.-4. The EnduraGuard formula includes three active ingredients for protection against the effects of moisture, decay, stains from mold and mildew. Plus, an additional ingredient adds protection against termite damage.
- Interior exposed surfaces are veneered with clear pine with no visible fastener holes.
- Exterior surfaces are clad with aluminum.
- Panel rails are three-ply construction, randomly finger-jointed blocks laminated with water-resistant glue and pine-veneered on both sides.
- Corners are Urethane-sealed and secured with metal fasteners.
- Panel thickness is 2-1/16" (52mm).

WEATHERSTRIPPING

- Dual-durometer extruded polymer along perimeter of door frames and along the bottom of door panels.

GLAZING SYSTEM¹

- Quality fully-tempered float glass complying with ASTM C 1048.
- Silicone-glazed 13/16" [obscure¹] dual-seal insulating glass [[Advanced Low-E with argon] [SunDefense™ Low-E with argon] [AdvancedComfort Low-E with argon] [NaturalSun Low-E with argon].
- High altitude glazing available.

EXTERIOR

- Exterior aluminum surfaces are finished with EnduraClad® multi-step, baked-on finish.
- Color is [standard: [White] [Tan] [Brown] [Putty]] [feature: [Black] [Poplar White] [Hartford Green] [Black] [Brick Red] [Morning Sky Gray] [Portobello]].

INTERIOR

- [Unfinished, ready for site finishing] [factory primed with one coat acrylic latex] [factory prefinished [White] [Bright White] [Linen White] [stain 2]].

HARDWARE

- Doors over 7' 0" frame height have four (4) hinges per panel.
- Doors 7' 0" and under frame height have three (3) hinges per panel.
- Mortised and keyed multi-point locking system, center deadbolt and shoot-bolts at head and sill will engage simultaneously.
- Inactive panel lock system, located in astragal will activate and disengage flush bolts.
- Solid brass handles and keylock with Schlage® configured C-K keyway pinlock cylinder.
- Key cylinder finish is [Brass] [Oil-Rubbed Bronze] [baked enamel Brown] [Stainless Steel].
- Hardware finish (Handle, Hinges and Strike) is [Brass] [Satin Nickel] [baked enamel Brown] [Antique Brass] [Chrome] [Oil-Rubbed Bronze].
- Brass and Satin nickel handle finish is a PVD High Performance finish.

OPTIONAL PRODUCTS

Hardware

- Optional Adjustable hinges to help with installation.

Grilles

- Removable Grilles
 - 3/4" Traditional removable solid wood grilles steel-pinned at joints and fitted to panel with clips.
 - Interior [unfinished, ready for site finishing] [factory primed] [pine: factory prefinished [White] [Bright White] [Linen White] [stain²]].
 - Exterior [unfinished, ready for site finishing] [factory primed] [factory prefinished, finish color matched to exterior cladding⁴].
 - or –
- Grilles-Between-the-Glass
 - Insulating glass contains 3/4" contoured aluminum grilles permanently installed between two panes of glass.
 - Patterns are [Traditional] [9-Lite Prairie] [Cross] [Top Row].
 - Interior color is [White] [Tan 3] [Brown 3] [Putty 3] [Ivory] [Brickstone] [Harvest] [Cordovan].
 - Exterior grilles match the exterior cladding color⁴.
 - or –
- Simulated Divided Light [with spacer]
 - Grilles permanently bonded to the interior and exterior of glass.
 - Interior grilles are pine [unfinished, ready for site finishing] [factory primed] [factory prefinished [White] [Linen White] [Bright White] [stain²]].
 - Patterns are [Traditional] [Prairie] [Cross] [Top Row].
 - Exterior aluminum grilles match the exterior cladding color.
 - Available only on units glazed with Low-E insulated glass with argon.

Screens

- InView™ vinyl-coated 18/18 mesh fiberglass screen cloth complying SMA 1201.
- Extruded aluminum frame matches exterior cladding color.
- Single doors and Double Doors (Active/Inactive or Inactive/Active) are hinged to door frame.
- Active/Fixed or Fixed/Active Double doors have sliding screen assembly, top-hung on two adjustable nylon rollers.

(1) Available on units glazed with Low-E insulated glass with argon, clear insulated glass and obscure insulated glass.

(2) Contact your local Pella sales representative for current color options.

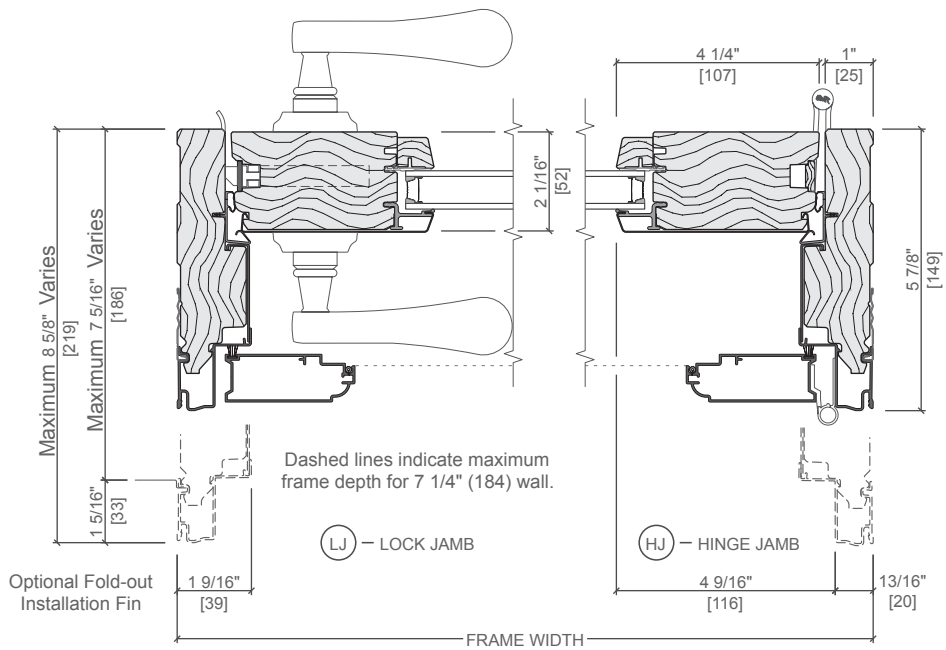
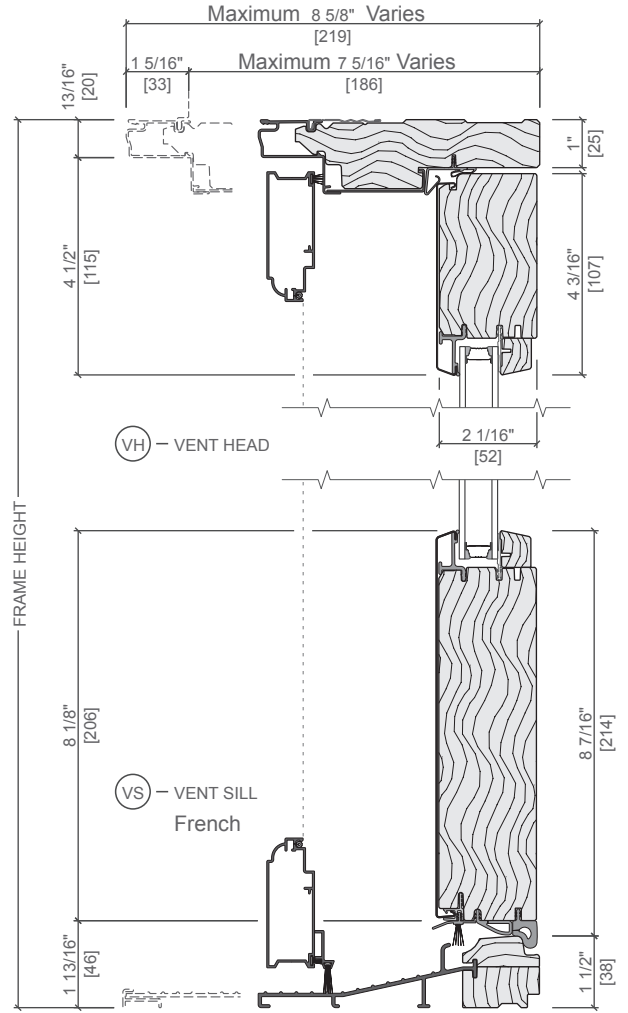
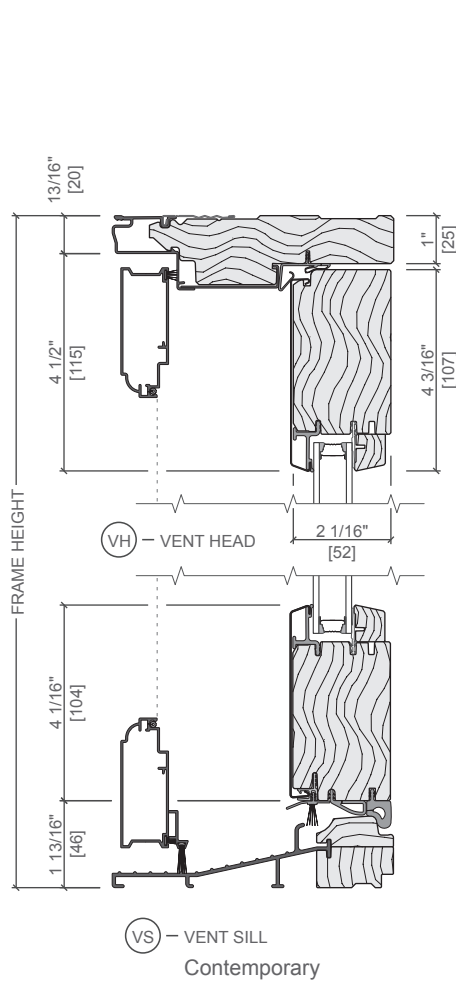
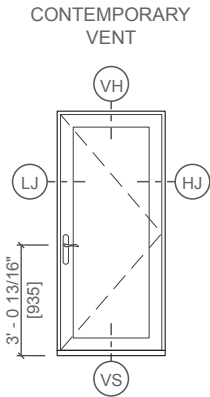
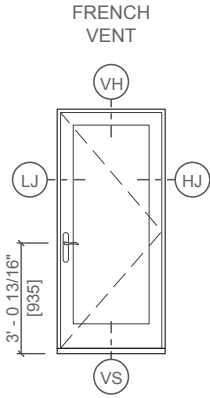
(3) Tan, Brown and Putty Interior GBG colors are available in single-tone (Brown/Brown, Tan/Tan or Putty/Putty). Other interior colors are also available with Tan or Brown exterior.

(4) Appearance of exterior grille color will vary depending on Low-E coating on glass.



IN-SWING DOOR

UNIT SECTIONS
Aluminum-Clad Wood



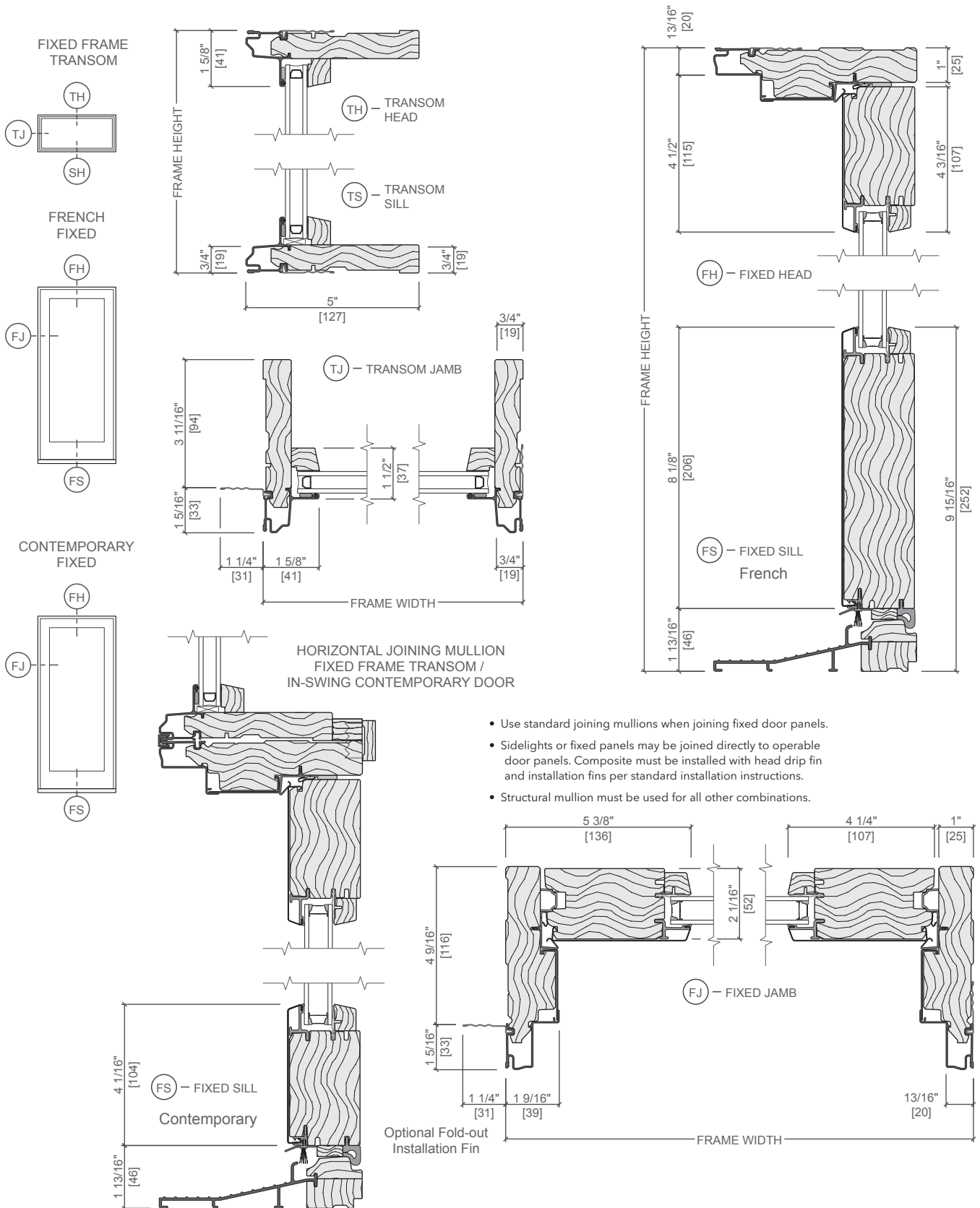
Scale 3" = 1' 0"

All dimensions are approximate.



IN-SWING DOOR

UNIT SECTIONS
Aluminum-Clad Wood

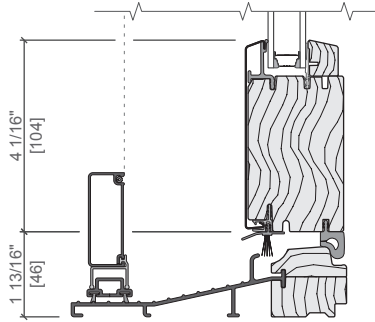
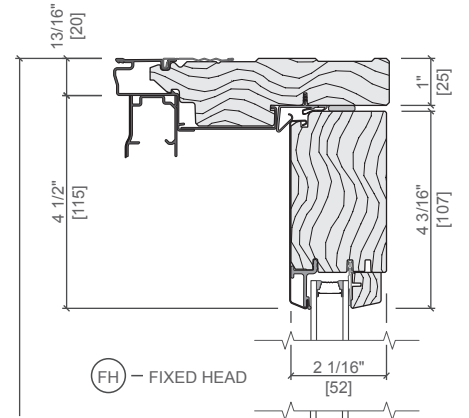
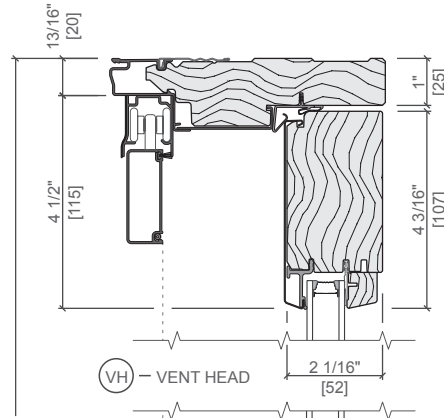
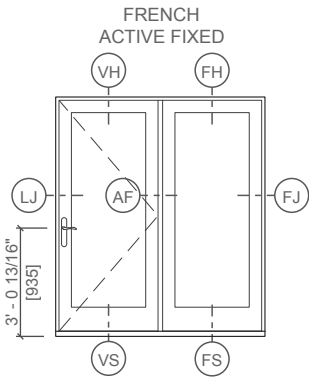


- Use standard joining mullions when joining fixed door panels.
- Sidelights or fixed panels may be joined directly to operable door panels. Composite must be installed with head drip fin and installation fins per standard installation instructions.
- Structural mullion must be used for all other combinations.

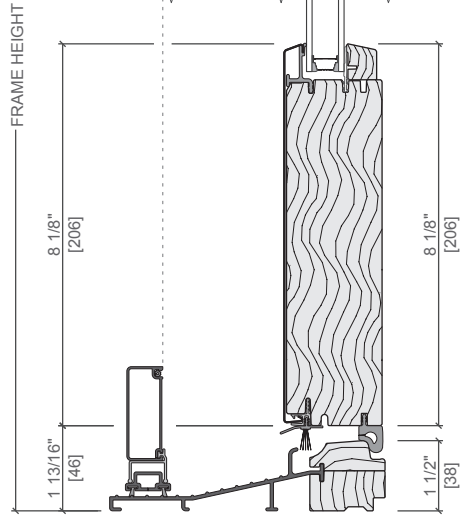


IN-SWING DOOR

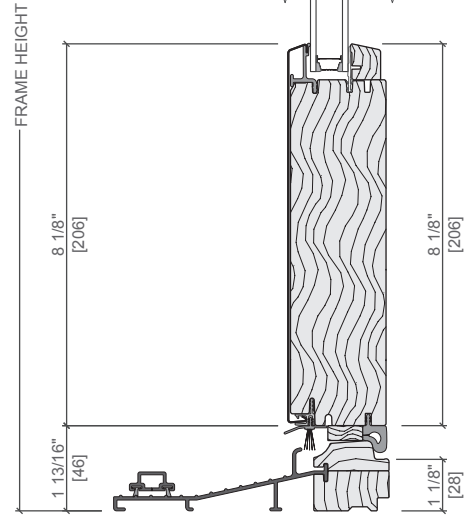
UNIT SECTIONS
Aluminum-Clad Wood



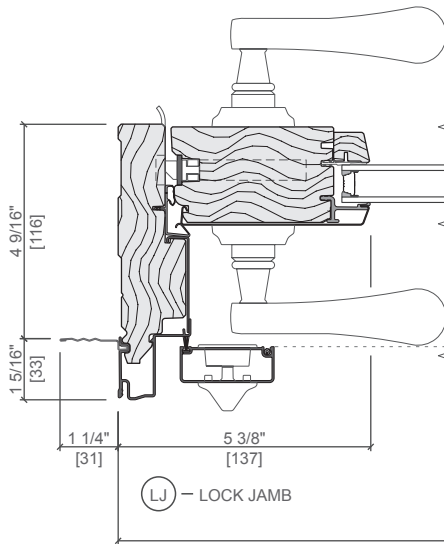
VS - VENT SILL
Contemporary



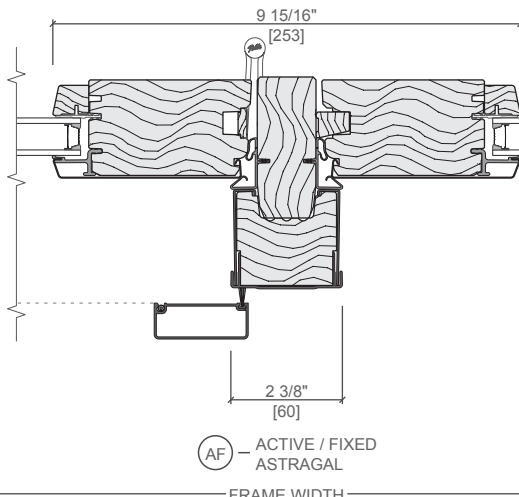
VS - VENT SILL
French



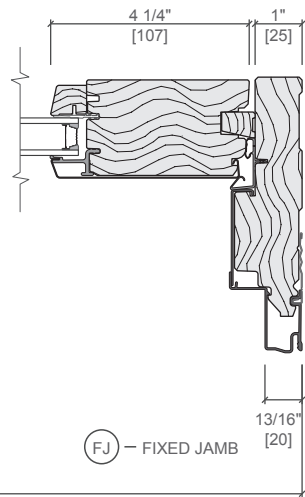
FS - FIXED SILL
French



LJ - LOCK JAMB



AF - ACTIVE / FIXED
ASTRAGAL



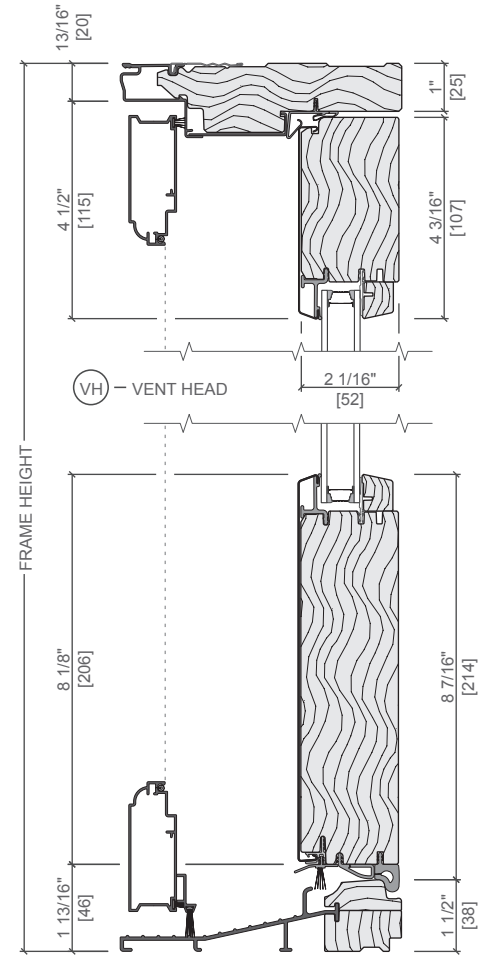
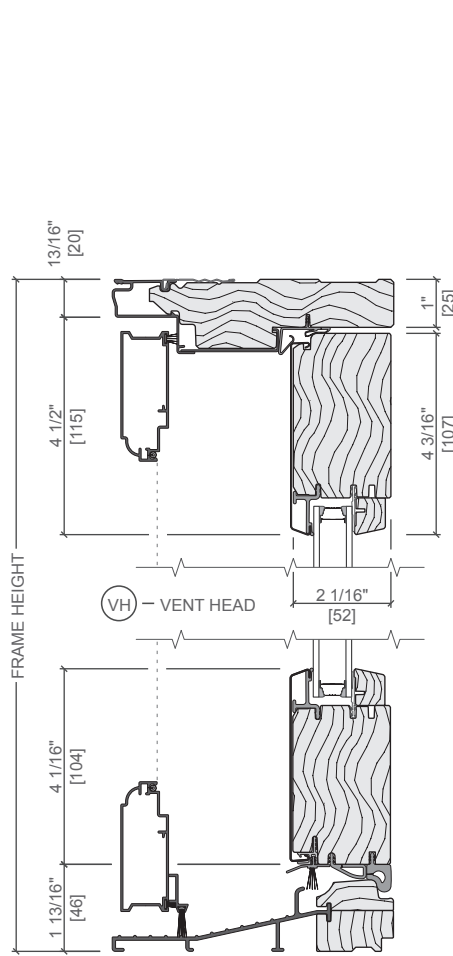
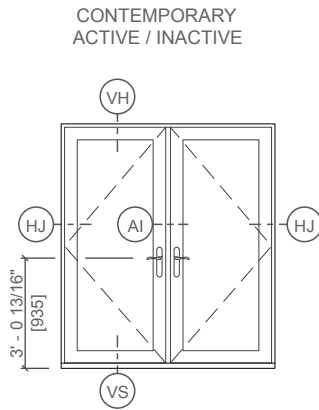
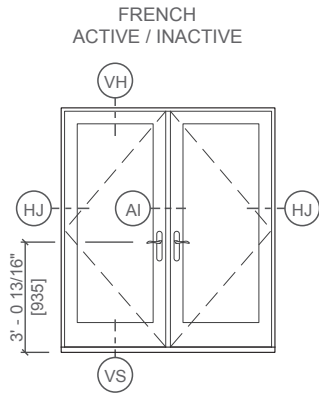
FJ - FIXED JAMB

Scale 3" = 1' 0"
All dimensions are approximate.



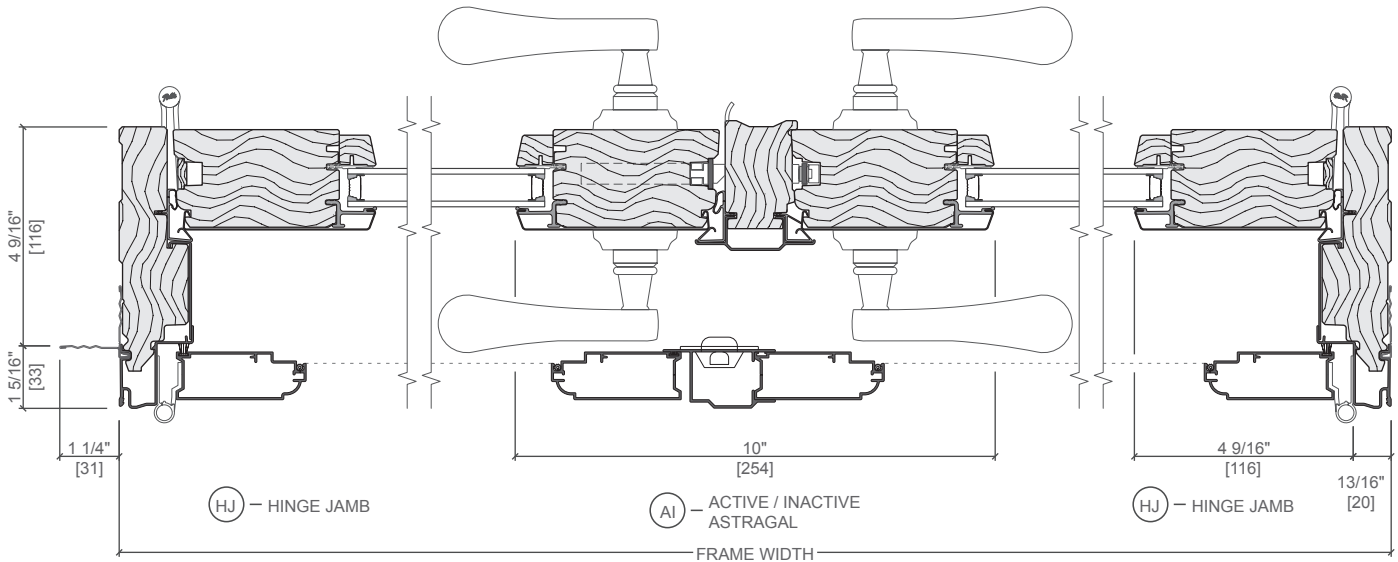
IN-SWING DOOR

UNIT SECTIONS
Aluminum-Clad Wood



VS - VENT SILL
Contemporary

VS - VENT SILL
French



Scale 3" = 1' 0"

All dimensions are approximate.