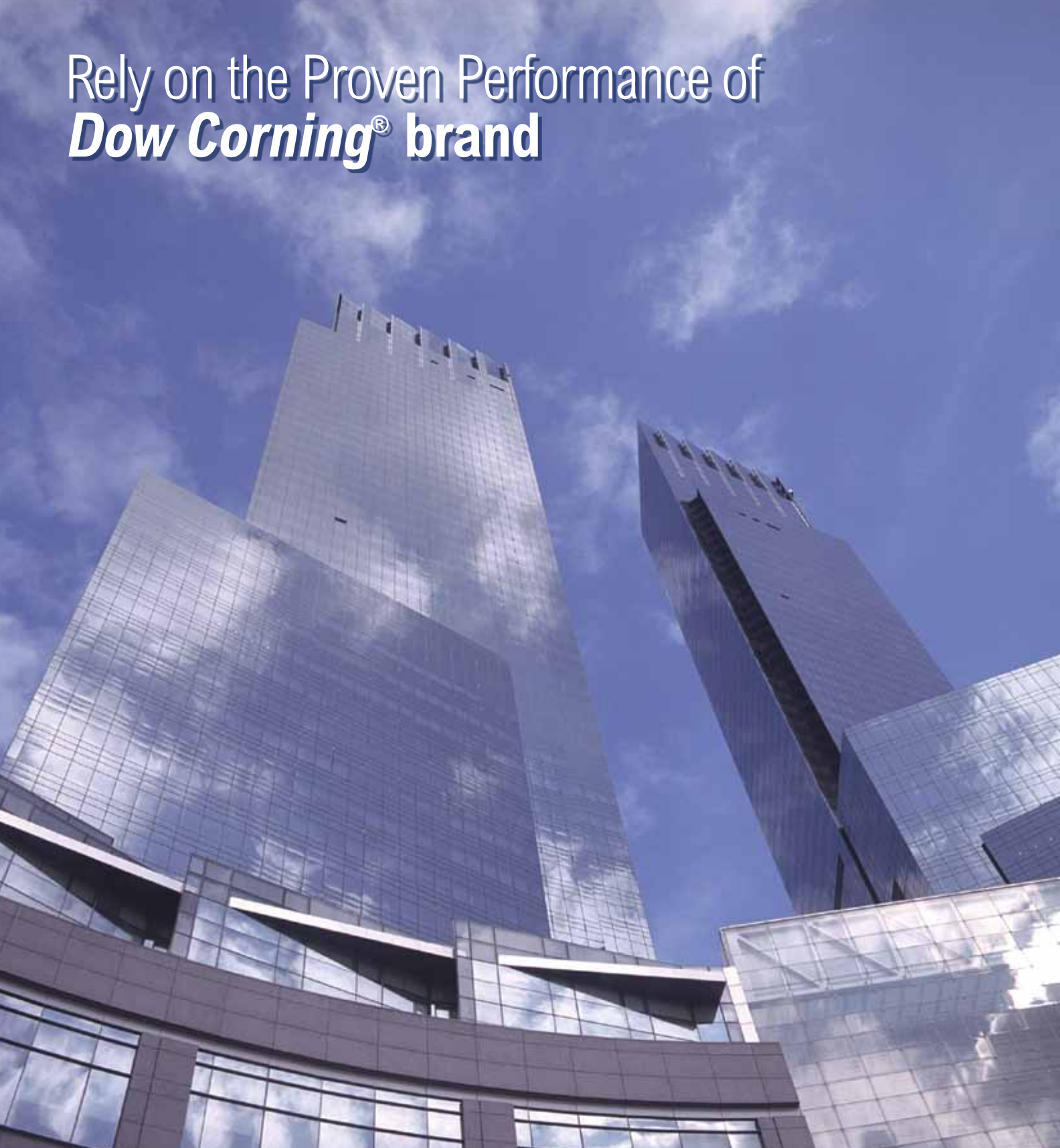


DOW CORNING

High Performance Building
Solutions

Silicone Construction Materials for New and Renovation Applications

Rely on the Proven Performance of
Dow Corning[®] brand



CONTENTS

Product Characteristics 2
Proven Innovation from the High Performance Building Solutions Provider 4
Proven Performance Solutions Showcase 4
Dow Corning® 758 Silicone Weather Barrier Sealant 4
Dow Corning® 995 Silicone Structural Sealant 6
Dow Corning® 790 Silicone Building Sealant 7
Dow Corning® 791 Silicone Weatherproofing Sealant 7
Dow Corning® 795 Silicone Building Sealant 8
Dow Corning® 983 Structural Glazing Sealant 8
Dow Corning® 756 SMS Building Sealant 9
Dow Corning® AllGuard Silicone Elastomeric Coating 10
Dow Corning® 123 Silicone Seal 11
Dow Corning® brand Parking Structure Sealants 12
Dow Corning® Contractors Concrete Sealant 12
Dow Corning® Contractors Weatherproofing Sealant 12
Primers, Colors and Tools 13
 Primers 13
 Standard and Custom Colors 13
 Sealant Estimator 14
 dowcorning.com/construction 14
Warranty Programs 15
Solutions That Promote Success 16
 Innovative Thinking 16
 Unmatched Construction Project Support 16
 COOL (Dow Corning Construction OnLine) 17
 Structural Silicone Glazing Services 17
Contact Information 20

Cover photo: With about 1 million square feet of custom-fabricated glass curtainwall, the **Time Warner Center in New York City** required structural and weatherproofing sealants that were able to meet rigorous testing and performance standards as well as provide aesthetic appeal and ease of application.

Dow Corning® 983 Structural Glazing Sealant

Dow Corning® 795 Silicone Building Sealant

Dow Corning® 995 Silicone Structural Sealant

NOTE: Photos in this brochure depict applications for Dow Corning® products. Unless specifically stated, endorsement of specific products is not implied.

TYPICAL CHARACTERISTICS OF SILICONE CONSTRUCTION MATERIALS FROM DOW CORNING

Product	Description	Neutral-Cure System	Ultimate Tensile (psi) ASTM C1135	Durometer Shore A, Points	Ultimate Tensile (psi) ASTM D412	Joint Movement, %	1-Part or 2-Part Cure	Tooling Time, min.	All-Temperature Gunnability ¹
Recommended Application									
Dow Corning® 756 SMS Building Sealant	Non-stain weatherproofing sealant for use on sensitive substrates.	Yes		35		±50	1-Part	30	Yes
Weatherproofing									
Dow Corning® FC Parking Structure Sealant	Two-part, fast-curing, self-leveling sealant that cures to an ultra-low-modulus silicone rubber for use in horizontal joints.	Yes		60 Shore 00		Extension: +100 Compression: -50	2-Part	N/A	Yes
Weatherproofing									
Dow Corning® SL Parking Structure Sealant	One-part, self-leveling sealant that cures to an ultra-low-modulus silicone rubber for use in horizontal joints.	Yes		50 Shore 00		Extension: +100 Compression: -50	1-Part	N/A	Yes
Weatherproofing									
Dow Corning® NS Parking Structure Sealant	One-part, non-sagging sealant that cures to a low-modulus silicone rubber for use in vertical and horizontal joints.	Yes		15		Extension: +100 Compression: -50	1-Part	10-20	Yes
Weatherproofing									
Dow Corning® 123 Silicone Seal	Preformed, ultra-low-modulus silicone extrusion; can be bonded to a wide variety of substrates; withstands +200/-75% joint movement.	N/A		25		Extension: +200 Compression: -75	N/A	N/A	N/A
Weatherproofing									
Dow Corning® AllGuard Silicone Elastomeric Coating	One-part, field-pigmented, water-based silicone elastomer for waterproofing exterior above-grade substrates.	Yes	N/A	N/A	N/A	N/A	1-Part	N/A	Apply >40°F
Waterproofing									
Dow Corning® 758 Silicone Weather Barrier Sealant	One-part, neutral-cure silicone sealant; designed for adhering to common sheet or peel-and-stick weather-resistant barriers.	Yes		45		±25	1-Part	15	Yes
Waterproofing									
Dow Corning® 790 Silicone Building Sealant	One-part formulation cures to a durable, flexible and ultra-low-modulus silicone rubber joint seal; offers outstanding unprimed adhesion to masonry.	Yes		15		Extension: +100 Compression: -50	1-Part	10-20	Yes
Weatherproofing									
Dow Corning® 791 Silicone Weatherproofing Sealant	One-part, medium-modulus sealant offers unprimed adhesion to most window frame materials and outstanding tear strength.	Yes		30		±50	1-Part	15	Yes
Weatherproofing									
Dow Corning® 795 Silicone Building Sealant	One-part formulation cures to a durable, flexible seal that can accommodate ±50% movement in properly designed expansion and control joints for both new construction and remedial applications.	Yes	80	35	170	±50	1-Part	20-30	Yes
Structural Glazing, Glazing, Weatherproofing									
Dow Corning® 983 Structural Glazing Sealant	Two-part formulation cures to a high-modulus elastomeric adhesive/sealant. Tested in impact glazing systems for use in hurricane- and blast-resistant installations.	Yes	160	40	300	±25	2-Part	12-25	Apply >50°F
Structural Glazing, Glazing									
Dow Corning® 995 Silicone Structural Sealant	One-component, shelf-stable, neutral-cure; formulated for silicone structural glazing; also used for impact-resistant protective glazing in high-performance window film applications.	Yes	170	40	350	±50	1-Part	10-20	Yes
Structural Glazing, Glazing									
Dow Corning® 999-A Silicone Building & Glazing Sealant ▲	Easily applied, one-part formulation that cures to produce a durable, flexible wet glazing and curtainwall seal.	No		25		±25	1-Part	5-10	Yes
Glazing									

Specification Writers: Please contact Dow Corning Corporation, Midland, MI, before writing specifications on these products.

¹ -20 to 122°F.

² For a VOC data sheet for a specific sealant color, please send your request to product.inquiry@dowcorning.com.

³ All substrates and sealant combinations must be field tested to confirm general recommendations from this table.

N/A = Not Applicable.

While all products listed are Dow Corning® brand, the product marked with a "▲" is sold via the XIAMETER® Web-enabled business model from Dow Corning, which offers high-quality, reliable standard silicone products online, at market-based prices. Visit www.xiameter.com to order this product or to learn more.

Primer Required ³																			
VOC Content ² , g/L	Fluoropolymer Paint	Silicone Polyester Paint	Anodized Aluminum	Alodine-Treated Aluminum	Granite	Limestone	Concrete	Warranty	Chalking & Cracking	UV Light Resistance	Colors Available	Custom Colors	Packaging	Specifications & Standards					
86	No	No	No	No	No	Yes: 12000S/ Primer P	Yes: Primer P	20 Years	No	Excellent	6 Standard 6 Special	Yes	Sausages Pails	<ul style="list-style-type: none"> • SWRI Validation • ASTM C920, Type S, Grade NS, Class 50, Use NT, G, M, A, O • ASTM C719, ±50% 					
30	N/A	N/A	Yes	Yes	N/A	N/A	No	5 Years	No	Excellent	Gray	No	Sausages	<ul style="list-style-type: none"> • ASTM C719, +100/-50% 					
30	N/A	N/A	N/A	N/A	N/A	N/A	No	5 Years	No	Excellent	Dark Gray	No	Cartridges Pails	<ul style="list-style-type: none"> • ASTM C719, +100/-50% 					
37	Yes: 12000S	Yes: 12000S	Yes: 12000S	Yes: 12000S	No	12000S	No	5 Years	No	Excellent	Gray	No	Cartridges Pails	<ul style="list-style-type: none"> • ASTM C920, Type S, Grade NS, Class 100/50, Use T • ASTM C719, +100/-50% 					
N/A	791 No 795 Yes: 12000S	791 or 795	791 or 795	791 or 795	791 or 795	791 or 795	791 or 795	10 Years	No	Excellent	6 Standard 5 Special	Yes	100-Foot Rolls	<ul style="list-style-type: none"> • Modified ASTM C719, +200/-75% • Designed for new construction and renovation 					
	N/A	N/A	N/A	N/A	← Required →			10 Years	No	N/A	55	Yes	Pails	<ul style="list-style-type: none"> • SWRI Validation • Check data sheet for ASTM specs • Designed for new construction and renovation 					
42	No	No	No	No	Primer P	Primer P	Primer P	N/A	No	Excellent	White	Yes	Sausages	<ul style="list-style-type: none"> • SWRI Validation • ASTM C719 ±25% • ASTM C920, Type S, Grade NS, Class 25, Use G, A, O 					
43	Yes: 12000S	Yes: 12000S	Yes: Test/ 12000S	Yes: 12000S	No	12000S	No	20 Years	No	Excellent	13	Yes	Cartridges Sausages Pails	<ul style="list-style-type: none"> • SWRI Validation • ASTM C920, Type S, Grade NS, Class 100/50, Use T, NT, M, G, A, O • ASTM C719, +100/-50% 					
46	No	No	No	No	No	Yes: 12000S/ Primer P	Yes: Primer P	20 Years	No	Excellent	7	Yes	Cartridges Sausages	<ul style="list-style-type: none"> • SWRI Validation • ASTM C920, Type S, Grade NS, Class 50, Use NT, M, G, A 					
28	Yes: 12000S	No	No	No	No	Yes: 12000S/ Primer P	Yes: Primer P	20 Years	No	Excellent	15	Yes	Cartridges Sausages Pails	<ul style="list-style-type: none"> • SWRI Validation • ASTM C1184, Specification for Structural Silicone Sealants • ASTM C920, Type S, Grade NS, Class 50, Use NT, G, A, O 					
18	Yes: 12000S/ Primer C	No	No	No	N/A	N/A	N/A	20 Years	No	Excellent	Gray Black	No	Pails Drums	<ul style="list-style-type: none"> • ASTM C1184, Specification for Structural Silicone Sealants • ASTM C920, Type M, Grade NS, Class 25 					
30	No	No	No	No	No	N/A	N/A	20 Years	No	Excellent	Black Gray White	No	Cartridges Pails Drums	<ul style="list-style-type: none"> • SWRI Validation • ASTM C1184, Specification for Structural Silicone Sealants • ASTM C920, Type S, Grade NS, Class 50, Use NT, G, A • ASTM C719, ±50% 					
40	Yes	No	Yes: 12000S	Yes: 12000S	N/A	N/A	N/A	10 Years	No	Excellent	Clear & 5 colors	Yes	Cartridges Pails	<ul style="list-style-type: none"> • FDA Regulation 21 CFR 177.2600 subject to end use compliance • ASTM C920 • USDA authorized for use in federally inspected meat and poultry plants, classified as USDA-P1 					

791 = Dow Corning® 791 Silicone Weatherproofing Sealant

795 = Dow Corning® 795 Silicone Building Sealant

12000S = Dow Corning® 1200 OS Primer

Primer C = Dow Corning® Primer C Construction Sealant Primer

Primer P = Dow Corning® Construction Primer P

PROVEN INNOVATION FROM THE HIGH PERFORMANCE BUILDING SOLUTIONS PROVIDER

Dow Corning is collaborating with industry professionals around the world to develop solutions to improve the energy efficiency of buildings, reduce the eco-footprint of construction materials, and improve the health and safety of building occupants.

Whether you are building a new structure or renovating an existing one, silicone construction materials and technical support from Dow Corning can help you develop integrated solutions for a wide range of high performance building applications. A world leader in the creation of innovative materials and systems based on silicone technology, Dow Corning High Performance Building Solutions offers a broad line of proven structural and protective glazing sealants, weatherproofing sealants, adhesives, and weatherproof coatings for new construction and renovation applications.



Dow Corning provides high-quality products, valuable design services, unmatched warranty protection, and expert local technical service and support around the world. With more than 65 years of global industry experience, Dow Corning provides solutions to help you succeed.

Lasting Benefits

Construction materials from Dow Corning have a life expectancy up to three times longer than organic materials in the same applications. Unlike organic alternatives, silicones are virtually unaffected by ultraviolet (UV) light, rain, snow or temperature

Kaleida Health Global Vascular Institute, Buffalo, New York. The architects of the Kaleida Health Global Vascular Institute in Buffalo, N.Y., adopted state-of-the-art weather barrier technology to ensure that the new hospital will withstand the city's varying climate conditions. Finding a sealant for the critical waterproofing membrane on the outside of the building was a challenge, though. Dow Corning® 758 Silicone Weather Barrier Sealant proved to be the solution.

PROVEN PERFORMANCE SOLUTIONS SHOWCASE





the challenges of sustainable building construction.

The Support You Need

When you work with Dow Corning, you tap into the technical resources and expertise of the world's largest silicone producer, including the industry's most extensive bank of silicone performance data. Around the world, working out of state-of-the-art technical service centers, Dow Corning construction materials specialists provide the products, knowledge and service you need. They can show you how the performance value of our products translates into bottom line savings – and give you easy access to our latest developments in sustainable and high performance building technologies.

For the appearance, performance and return on investment you expect – and the technical expertise and support you need – choose high performance silicone construction materials from Dow Corning.

extremes. Silicone technology helps buildings endure the elements ... for years to come.

Meeting New Expectations

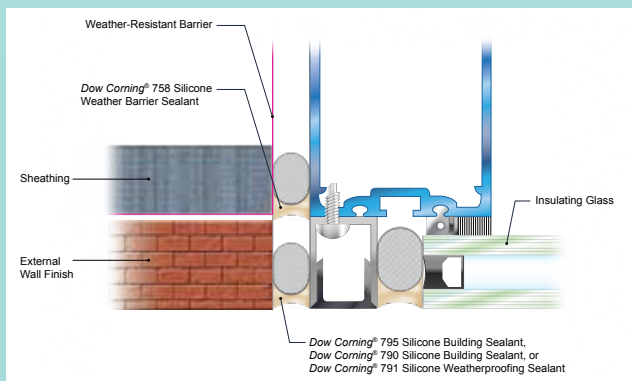
Architects and builders have long relied on Dow Corning for innovative solutions. Dow Corning High Performance Building Solutions is developing innovations for the next generation of building construction, including high-efficiency insulation, LED lighting, thermal management systems, and the incorporation of photovoltaic cells and solar panels into building design. Taking a holistic approach, Dow Corning brings together expertise from across the company to help customers meet

Dow Corning® 758 Silicone Weather Barrier Sealant

Dow Corning® 758 Silicone Weather Barrier Sealant brings long-term durability and ease-of-use for sealing challenging weather barrier substrates. Its consistent adhesion performance and compatibility outperform traditional sealants. And with $\pm 25\%$ movement capability, architects benefit from increased design flexibility.

Architectural Recommendations

To achieve a sufficient durability of the seal, the sealant joint should be designed so that the maximum expected sealant movement, including thermal, settlement and live load, does not exceed 25 percent. Dow Corning recommends consulting with the flashing manufacturer for details on the movement capability of flashing materials as used in your joint configuration.



More information and technical data sheets are available online at dowcorning.com, or call Dow Corning Customer Service at 1 800 248 2481.

Unprimed Adhesion to the Most Challenging Materials

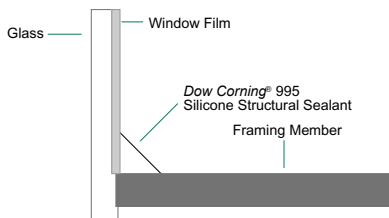
- Excellent adhesion to a wide range of building materials, including polymeric surfaces that are traditionally difficult to adhere to, such as peel-and-stick weather-resistant barriers
- Priming not required on most surfaces
- Usable over wide temperature range
- Adheres to many polyethylene-film-based weather-resistant barriers, spun-bonded polyolefin, and fibrous or woven air barriers
- Adheres to many other sealing elements such as flashing or elastomeric liquid-applied weather barriers and many common fenestration element materials such as anodized aluminum, vinyl, PVC, powder coat, paint and fluoropolymer coatings
- UV resistant
- Excellent durability; does not become brittle or crack
- Movement capability of ± 25 percent in a properly designed joint
- SWRI approved



PROVEN PERFORMANCE SOLUTIONS SHOWCASE

Impact-Resistant Protective Glazing

- Available in black, gray and white
- Excellent adhesion, tensile and tear strength make it ideal for use as a glazing sealant in high-performance protective window systems that increase personal safety from flying glass
- Primerless, one-part product is a simple, more cost-effective solution for impact-resistant window systems than mechanical attachments
- Tolerates the differential thermal and windload movements found in structural glazing applications and the severe stresses required of an impact-resistant glazing product
- Can be used with most common building materials; compatible with two-part silicone insulating glass seals
- SWRI approved
- 20-year Limited Warranty (see page 15)



Dow Corning® 995 Silicone Structural Sealant anchors a retrofit protective window film to the window frame.

Dow Corning® 995 Silicone Structural Sealant

Designed for excellent adhesion in structural applications, including factory or field glazing, Dow Corning® 995 Silicone Structural Sealant adheres to glass, reflective glass, anodized aluminum, granite and most paints, including fluoropolymer-based paints. It exhibits a medium modulus, which offers an extremely high tensile adhesion strength of 150 psi. It is also very tough, with a tear strength of 49 ppi.

Dow Corning® 995 Sealant has also come to the forefront as the product of choice for impact-resistant protective glazing systems, such as the 3M™ Ultraflex Window System. These systems combine the elasticity of high-performance window films and Dow Corning's one-part silicone elastomeric sealant used for window glazing to produce a stretchable, flexible membrane that helps capture and absorb energy caused by severe weather, hard impacts and seismic forces. The result is increased personal safety from flying glass both inside and outside the building.

Architectural Recommendations

The design of the silicone structural joint must be prepared by a design professional and based upon industry-accepted guidelines. Structural applications and warranties require testing and written print review by the Dow Corning Technical Service staff. Similarly, film systems incorporating Dow Corning® 995 Sealant are designed and tested to meet specific impact test requirements.

More information and technical data sheets are available online at dowcorning.com, or call Dow Corning Customer Service at 1 800 248 2481.

¹3M is a trademark of Minnesota Mining and Manufacturing Company.

Lloyd D. George Federal Courthouse, Las Vegas, Nevada.
The Lloyd D. George Federal Courthouse is a silicone structural glazing project designed to offer increased protection to building occupants in the event of a nearby bomb blast.



Silicone Sealants and Impact-Resistant Window Systems

Silicone sealants, like Dow Corning® 995 Silicone Structural Sealant, have found success as glazing sealants in all three major impact-resistant window systems: in laminated window systems typically specified for new construction, in retrofit window film systems, and in curtainwall structural glazing projects specified to withstand severe weather and resist bomb blasts.

In all three applications, Dow Corning® 995 Sealant is specified for its ability to maintain positive adhesion, while window frames bend and twist under

a range of stresses. While functioning as a trouble-free, long-lasting glazing sealant, it works in tandem with the reinforced glass to reduce the potential for broken glass being blown from its frames, the leading cause of injuries in events like terrorist bombings or hurricanes.

In controlled bomb-blast testing, 12 kilos of TNT were exploded 6.5 meters from a 12 x 12-meter glass curtainwall panel, structurally glazed on all four sides with a Dow Corning® silicone structural glazing sealant. While the glass broke, the facade stayed largely in place, thanks to the strength and flexibility of the sealant.



AV05123 - Photo courtesy of Grandon Design Agency



AV05124 - Photo courtesy of Grandon Design Agency

PROVEN PERFORMANCE SOLUTIONS SHOWCASE

Dow Corning® 790 Silicone Building Sealant

Because of its excellent movement capability, *Dow Corning® 790 Silicone Building Sealant* is the best-performing product for stone curtainwall and masonry construction. It is used in expansion and control joints, precast concrete panel and seismic joints, exterior insulation and finish system (EIFS) joints, and curtainwall and mullion joints.

Dow Corning® 790 Sealant quickly cures to a durable, flexible seal. Its low-modulus characteristics and extension/compression recovery make it especially effective for sealing expansion and control joints that experience extreme movement. It is also recommended as a remedial sealant for joints in which other materials have weathered or failed due to excessive movement.

Architectural Recommendations

To ensure performance under all temperature variations at the time of installation, good architectural practice recommends that joint width should be two times the total expected thermal joint movement, plus tolerances, and a minimum of 1/4 inch (6.4 mm) for this product. This product is not suitable as a structural adhesive.

More information and technical data sheets are available online at dowcorning.com, or call Dow Corning Customer Service at 1 800 248 2481.



Dow Corning® 791 Silicone Weatherproofing Sealant

An excellent performance value, *Dow Corning® 791 Silicone Weatherproofing Sealant* is an economical option for quality silicone weathersealing. Especially suited for perimeter sealing around windows and doors, *Dow Corning® 791 Sealant* is useful for a variety of sealing applications, including expansion and control, precast concrete panel, curtainwall and mullion joints, and internal seals and end dams.

This product offers one-part, primerless adhesion to most building materials and cures to a tough, flexible seal that can accommodate significant movement.

Architectural Recommendations

To ensure performance under all temperature variations at the time of installation, good architectural practice recommends that joint width should be two times the total expected thermal joint movement, plus tolerances, and a minimum of 1/4 inch (6.4 mm) for this product. This product is not suitable as a structural adhesive.

More information and technical data sheets are available online at dowcorning.com, or call Dow Corning Customer Service at 1 800 248 2481.

Outstanding Movement Capability and Masonry Adhesion

- Available in 11 standard colors; custom colors available
- Low modulus; low stress; extension/compression capability up to +100/-50 percent of the original joint width without affecting adhesion
- Approved by all major EIFS manufacturers; SWRI approved
- Frequently used in buildings designed to withstand specified seismic movements
- Primerless adhesion to concrete and many other common building materials
- 20-year Limited Warranty (see page 15)



Mandalay Bay Resort & Casino, Las Vegas, Nevada. At 43 stories, the resort's 660,000-square-foot exterior window wall and glass slab gleam with 24-karat gold. Custom colored *Dow Corning® 790 Silicone Building Sealant* was selected for its superior movement capabilities to seal joints between EIFS and aluminum framing. *Dow Corning® 795 Silicone Building Sealant*, also gold, was used to seal glass to metal.

General Weatherproofing Sealant

- Available in black, white, precast white, gray, limestone and bronze
- Accommodates movement up to ± 50 percent of the original joint width in a properly designed 2:1 joint without affecting adhesion
- Can be used without a primer on most common building materials, including stone, masonry, ceramic, granite, anodized aluminum and many fluoropolymer paints; compatible with two-part silicone insulating glass seals
- SWRI approved
- 20-year Limited Warranty (see page 15)



PROVEN PERFORMANCE SOLUTIONS SHOWCASE

Architectural-Grade Sealant with Outstanding Adhesion

- Available in 11 standard colors; custom colors available
- Accommodates movement up to ± 50 percent of the original joint width in a properly designed 2:1 joint without affecting adhesion; cured material resists tear propagation
- Can be used with most common building materials; compatible with two-part silicone insulating glass seals
- SWRI approved
- 20-year Limited Warranty (see page 15)



Motorola Phase I Building, Tempe, Arizona. Consultants specified Dow Corning® 795 Silicone Building Sealant for 2- and 4-sided structural glazing on this magnificent Motorola building. The product was also used to weatherseal the building, owned by developer/general contractor Ryan Companies of Phoenix.

Dow Corning® 795 Silicone Building Sealant

Ideal for structural and non-structural glazing of glass, metal and plastic and for adhering stiffeners to building panels, *Dow Corning® 795 Silicone Building Sealant* is also excellent for general weatherproofing applications, including perimeter sealing of door and window framing. It is a neutral, one-part adhesive/sealant for new construction and renovation applications that cures to produce a durable and flexible seal.

Architectural Recommendations

For weathersealing applications, to ensure performance under all temperature variations at the time of installation, good architectural practice recommends that joint width should be two times the total expected thermal joint movement, plus tolerances, and a minimum of 1/4 inch (6.4 mm) for this product. Structural applications and warranties require testing and written print review by the Dow Corning Technical Service staff.

More information and technical data sheets are available online at dowcorning.com, or call Dow Corning Customer Service at 1 800 248 2481.



AV04634 ©1999, Wes Thompson

Structural Glazing Capabilities and Controllable Cure Rate

- Available in gray and black
- Accommodates movement up to ± 25 percent of the original joint width in a properly designed 2:1 joint without affecting adhesion; cured material resists tear propagation
- Can be used with most common building materials
- 20-year Limited Warranty (see page 15)

Dow Corning® 983 Structural Glazing Sealant

Designed for structural adhesive/sealant applications, such as factory glazing and curtainwall production, where fast cure is needed for rapid throughput of finished units, *Dow Corning® 983 Structural Glazing Sealant* is a high-modulus product offering unprimed adhesion to most common construction materials. It has physical properties sufficient for structural adhesive applications, a noncorrosive by-product, excellent weatherability and durability, and recovers after repeated extensions and compressions. This is a two-part material that requires pumping and metering equipment designed for in-shop use.

Architectural Recommendations

The design of the silicone structural joint must be prepared by a design professional and based upon industry-accepted guidelines. Structural applications and warranties require testing and written print review by the Dow Corning Technical Service staff.

More information and technical data sheets are available online at dowcorning.com, or call Dow Corning Customer Service at 1 800 248 2481.

PROVEN PERFORMANCE SOLUTIONS SHOWCASE

Dow Corning® 756 SMS Building Sealant

Distinctive building exteriors of granite, limestone, marble and composite panels create a landmark of modern design, but bring challenges in long-term weather-sealing aesthetics. Featuring a proprietary-formulation surface-modified silicone (SMS) technology, *Dow Corning® 756 SMS Building Sealant* provides the solution.

Designed for weathersealing sensitive substrates, such as porous stone and metal panels, *Dow Corning® 756 Sealant* features a low-friction surface that reduces dirt pickup and significantly reduces fluid migration that could lead to staining. The cured sealant's aesthetically appealing dry, matte finish feels surprisingly slippery to the touch, revealing its dirt-resistant quality. And its low rub-off avoids aesthetic problems during window washing and maintenance. Its silicone chemistry makes it the best choice for long-life performance.

This high-performance, elastomeric, one-part silicone sealant cures to a durable, flexible, weather-resistant seal with excellent adhesion to most building materials, including both porous substrates and painted metals.

Architectural Recommendations

To ensure performance under all temperature variations at the time of installation, good architectural practice recommends that joint width should be two times the total expected thermal joint movement, plus tolerances, and a minimum of 1/4 inch (6.4 mm) for this product. This product is not suitable as a structural adhesive.

More information and technical data sheets are available online at dowcorning.com, or call Dow Corning Customer Service at 1 800 248 2481.

Study Results

Effects of Weatherproofing Sealants on Building Aesthetics, co-authored by A.T. Wolf, Ph.D., and V.K. O'Neal, provides the results of a two-year study of sealant-related phenomena that affect building aesthetics. The article is available online at dowcorning.com, or for a reprint, call Dow Corning at 1 800 248 2481 and request form number 62-567.



AV11568



AV11569

Surface Modified for Lasting Aesthetics

- Surface modified silicone chemistry provides a unique, dry matte finish
- Reduced dirt pickup compared with traditional silicone sealants
- Ideal sealant for sensitive substrates
- Medium modulus; extension-compression capability up to ± 50 percent of original joint width without affecting adhesion
- Can be used with many common building materials, including most glass, metal, brick, granite, masonry and fluoropolymer-painted substrates
- Available in standard colors of adobe tan, white, limestone, gray, bronze and black; special colors of anodized aluminum, sandstone, champagne, natural stone, aluminum gray, medium gray and charcoal. Custom colors also available.
- SWRI approved
- Available Weatherseal and Non-Staining Warranties (see page 15)



PROVEN PERFORMANCE SOLUTIONS SHOWCASE

Unparalleled Performance ... Lasting Beauty

- Adheres to masonry; stone; freshly cured and damp concrete; fluted block; stucco; EIFS; most trims and painted surfaces; and most caulks, sealants (including silicones) and preformed seals, such as *Dow Corning® 123 Silicone Seal*
- Extensive color palette: more than 55 standard colors; custom colors available; field-pigmentable at distributors for rapid delivery
- Primerless on many substrates; neat and easy to apply with roller, power roller, brush or spray; matte finish hides roller marks
- Bridges cracks up to 1/16 inch (1.6 mm); accommodates movement; resists degradation due to sunlight, rain, snow and temperature extremes
- When properly applied, will not crack, chalk, peel or blister
- SWRI approved
- 10-year Waterproofing Performance Limited Warranty (see page 15)
- Meets current federal guidelines for Volatile Organic Compounds (VOCs) for architectural coatings



Dow Corning® AllGuard Silicone Elastomeric Coating

With more than 55 standard colors from which to choose, plus a custom color capability, *Dow Corning® AllGuard Silicone Elastomeric Coating* gives you outstanding aesthetic flexibility with solid waterproofing performance.

Dow Corning® AllGuard Silicone Elastomeric Coating is a one-part, water-based, 100 percent silicone elastomer that seals out water on exterior above-grade walls. It requires no primer on most substrates and cures to form a flexible membrane that can handle the normal movements of seasonal thermal expansion-contraction, even on EIFS panels. Cured *Dow Corning® AllGuard Coating* can withstand hurricane-force, wind-driven rain without penetration. It also allows moisture vapor inside the substrate to escape, preventing blistering and delamination that can occur with non-breathable coatings.

Used in renovation projects when organic urethane and acrylic coatings, paints and penetrants have failed, *Dow Corning® AllGuard Coating* is also ideal for new construction projects. And it is warranted for 10 full years of waterproofing performance in commercial installations.

Architectural Recommendations

Optimum waterproofing performance is achieved with a 10 mil dry film. With prior field adhesion testing, *Dow Corning® AllGuard Coating* can be applied without a primer on many substrates. To protect the long-term appearance of the facade, drip edges should be installed in areas prone to concentrated water run-down to channel the water away from coated surfaces. Surfaces exposed to concentrated run-down may appear dirty or streaky over time, and the coating may become hard to clean.

For more information, a technical data sheet or the *Dow Corning® AllGuard Silicone Elastomeric Coating Application Guide*, call Dow Corning Customer Service at 1 800 248 2481.



Rosen Plaza, Orlando, Florida. The 14-story Rosen Plaza hotel had several leaks, and its old acrylic exterior coating was beginning to deteriorate, before it was restored with silicone sealants, including *Dow Corning® 123 Silicone Seal*. Architecturally enhanced with new EIFS banding around the windows, the last step for the restored facade was a new color scheme: gold and tan custom colors of *Dow Corning® AllGuard Silicone Elastomeric Coating*. The bright, refreshed look of the Rosen Plaza was so well received that the owners decided to recoat their nearby 24-story Rosen Centre hotel using *Dow Corning® AllGuard Coating* as well.

Dow Corning® 123 Silicone Seal

Dow Corning® AllGuard Silicone Elastomeric Coating

PROVEN PERFORMANCE SOLUTIONS SHOWCASE

Dow Corning® 123 Silicone Seal

Dow Corning® 123 Silicone Seal is a preformed silicone extrusion that serves as a fast, efficient replacement for failed weatherseals and an excellent problem-solver in new construction applications. It can be bonded to a wide variety of substrates using Dow Corning® 795 Silicone Building Sealant or Dow Corning® 791 Silicone Weatherproofing Sealant to form a long-lasting, uniform weatherseal and a strong, flexible alternative to wet sealants.

In renovation projects, Dow Corning® 123 Silicone Seal is applied over failed sealants, spanning the joint and virtually eliminating tedious caulk and sealant removal. Installation is easier and faster than other wet sealant options. In new construction, it easily adapts to difficult design and field conditions.

Custom Designs

To meet specific sealing and aesthetic requirements, Dow Corning offers custom two- and three-dimensional designs of Dow Corning® 123 Silicone Seal that function as attractive, cost-effective alternatives to vulcanized rubber gaskets or patches and thick sealant installations. Applications include window mitered joints (boots); corner and finish pieces; custom OEM gaskets and molded corners; and custom curtainwall applications, such as splice joints.



Dow Corning® 123 Silicone Seal is available in matte and coarse-, fine- and quartzputz-textured surfaces, in widths from 1 to 12 inches, and in rolls up to 100 ft long. Custom textures, widths and thicknesses from 1 to 3 mm are also available.

A Custom Design Order Form is available from your local Dow Corning representative. Submission of CAD drawings expedites the process.

Architectural Recommendations

To ensure performance under all temperature variations at the time of installation, good architectural practice recommends that joint width should be 1.33 times the total expected thermal joint movement, plus tolerances, and a minimum of 1/4 inch (6.4 mm) for this product. A minimum bond width of 3/8 inch (9.5 mm) on each side of the joint is required.

More information and technical data sheets are available online at dowcorning.com, or call Dow Corning Customer Service at 1 800 248 2481.

Fast, Efficient Weatherseals

- Ultra-low modulus: extension/compression capability up to +200/-75 percent of the original joint width without affecting adhesion
- Available in widths up to 12 inches
- Available in textured and matte finishes in standard colors of white, gray, limestone, sandstone, bronze and black; special colors of dusty rose, blue spruce, adobe tan, charcoal and rustic brick. Custom colors also available.
- Custom designed two- and three-dimensional shapes and extrusions
- Coatable with Dow Corning® AllGuard Silicone Elastomeric Coating
- Can be used with most common building materials
- SWRI approved
- 10-year Limited Warranty (see page 15)



Two- and three-dimensional shapes and extrusions of Dow Corning® 123 Silicone Seal may be custom designed to meet specific requirements.

EIFS Restoration System

Studies have shown that using anything but the best ultra-low-modulus sealants can cause joint failure in EIFS-clad buildings (left photo), leading to water leaks and interior wall damage. Removing failed sealants is time-consuming and can cause further damage to the cladding. On this building, Dow Corning® 123 Silicone Seal was used to span the vertical expansion joints. Then a coat of Dow Corning® AllGuard Silicone Elastomeric Coating was applied to the entire building for added protection and a revitalized appearance.



Dow Corning® 123 Silicone Seal extrusions feature underside grooves to facilitate bending into and around corners and transitions. Custom-designed notches may be ordered for specific application needs.



PROVEN PERFORMANCE SOLUTIONS SHOWCASE

The Better Choice for Longer Service

- Virtually unaffected by sunlight, rain, snow, ozone and temperature extremes
- Outstanding movement capability (+100/-50 percent) without splitting, cracking or losing adhesion
- Remain elastic for years, keeping water and debris from entering the joints



Louisville International Airport, Louisville, Kentucky. Mark Postma, project engineer with Carl Walker, Inc., in Kalamazoo, Michigan, specified Dow Corning® NS Parking Structure Sealant to seal expansion joints on this 4,304-space parking deck because of “its resistance to the deteriorating effects of ultraviolet light, excellent adhesion, and low-modulus and high-elongation capabilities.”

Dow Corning® brand Parking Structure Sealants

Silicone parking structure sealants from Dow Corning are an investment in lower life-cycle costs, less downtime, greater maintenance savings and a better parking structure.

Because they are 100 percent silicone, *Dow Corning*® parking structure sealants resist the environmental stresses that can lead to the early failure of ordinary urethane sealants. Extreme temperatures soften or harden urethane sealants beyond recovery. They are also very susceptible to UV degradation, so they grow brittle and crack over time.

Silicone sealants perform years longer and maintain their flexibility, which keeps water and debris from entering the joints. They can also withstand the vertical deflections of traffic and the expansion-contraction of concrete slabs. Three *Dow Corning*® parking structure sealants are available for new construction and renovation applications:

Dow Corning® FC Parking Structure Sealant – A fast-cure, two-part, self-leveling, ultra-low-modulus sealant for joints that undergo severe movement due to traffic loads. It is suitable for use in expansion joints from 1-3 inches wide and adheres to concrete, steel and polymeric nosing substrates. The product works well with *Silspec*®¹ 950 PDX non-coal tar polymer nosing in expansion joints. *Dow Corning*® 1200 OS Primer is required for bonding to concrete and *Silspec*® PDX nosing.

Dow Corning® SL Parking Structure Sealant – A self-leveling, one-part, cold-applied, ultra-low-modulus sealant formulated for concrete, asphalt and concrete-to-asphalt joints that experience high movement. It is ideal for horizontal and moderately sloped joints, minor construction joints, crack

control joints and random crack chasing. Because it is self-leveling and requires no primer, installation is fast and easy.

Dow Corning® NS Parking Structure Sealant – A one-part, non-sag formulation that cures to a durable, flexible (low-modulus) silicone seal in horizontal concrete joints and on vertical surfaces, such as curbs and traffic barriers. It is ideal for renovation projects and provides excellent unprimed adhesion on concrete.

More information and technical data sheets are available online at dowcorning.com, or call Dow Corning Customer Service at 1 800 248 2481.

Dow Corning® Contractors Concrete Sealant and

Products designed to meet the specific performance requirements of small- to mid-size commercial building projects.

Don't compromise. Proven silicone sealant performance is now available at a urethane-competitive price.

Dow Corning® Contractors Concrete Sealant and *Dow Corning*® Contractors Weatherproofing Sealant are designed to give you higher-performing, economical silicone alternatives to urethane sealants.

- If you need high movement and primerless adhesion to concrete or masonry, including brick, choose **Dow Corning® Contractors Concrete Sealant**. This product is validated by SWRI at ± 50 percent joint movement with a Shore A durometer of 15 points.
- If you need good movement and primerless adhesion to EIFS or nonporous substrates, including glass and aluminum, choose **Dow Corning® Contractors Weatherproofing Sealant**. This product is validated by SWRI at ± 25 percent joint movement with a Shore A durometer of 30 points.

¹*Silspec* is a registered trademark of SSI, Inc.

PRIMERS, COLORS AND TOOLS

Primers

Primers are not typically required to promote the adhesion of *Dow Corning*[®] silicone construction materials to most common building substrates. However, Dow Corning does offer three primers that can be specified per architect recommendations and/or job site verification:

Dow Corning[®] 1200 OS Primer

Dow Corning[®] Primer C Construction Sealant Primer

Dow Corning[®] Construction Primer P

For more information, refer to Dow Corning's *Americas Technical Manual* (Form No. 62-1112). For a copy, call Dow Corning Customer Service at 1 800 248 2481.

Standard and Custom Colors

Silicone construction materials from Dow Corning are available in almost any color imaginable. *Dow Corning*[®] AllGuard Silicone Elastomeric Coating is available in 55 standard colors that are field pigmented at distributors for rapid delivery. Standard silicone colors range from black and white to natural stone, limestone and contemporary hues. Custom colors are also available for *Dow Corning*[®] silicone sealants, *Dow Corning*[®] AllGuard Coating and *Dow Corning*[®] 123 Silicone Seal.

With our innovative Color It Right sealant color program, select sausage-packaged sealants¹ are available in catalog and custom colors quickly and conveniently. Architects can design with confidence with:

- An expanded color palette for nearly limitless design options.
- Color availability in specifiable, high-performance sealants.
- Consistent color from start to finish. You can be confident that small quantities ordered for finishing touches at the end of a job will match the initial quantities ordered without worry of mixing issues or batch-to-batch variations.
- Projects that stay on schedule and within budget – typically, catalog colors are ready to ship in three business days, custom colors in nine business days. With no mixing needed, contractors save time and labor costs.

With standard, catalog and custom colors from Dow Corning, you receive the perfect match for your substrate, plus the unmatched performance of the highest quality silicone construction products on the market. For more information, contact your local Dow Corning representative, call the Color It Right team at +1 270 706 8358 or visit dowcorning.com/coloritright.



Sealant colors from Dow Corning

Dow Corning[®] Contractors Weatherproofing Sealant



“Many buildings are still spec'd with urethane, and we will often ask for a change to CCS. Like anybody, we're in business to stay in business. With Dow Corning[®] CCS, it's a no-brainer. Who wouldn't want to use a product that does the job better and costs less?”

Laurence Cote,
Owner, Bradcan Caulking & Restoration, Inc.
Edmonton, Alberta, Canada

For more information about economical, high-performance silicone alternatives to urethanes, go to:

urethanebusters.com

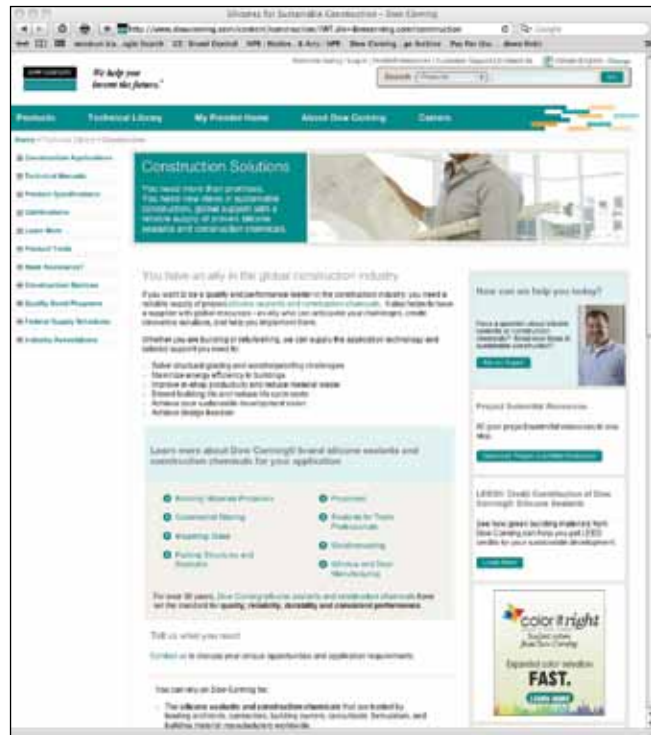
¹Color It Right catalog and custom colors are available for *Dow Corning*[®] 756 SMS, 790, 791 and 795 Silicone Sealants.

Sealant Estimator

To calculate the linear feet per gallon of *Dow Corning*[®] silicone sealant required for various joint sizes, use the product estimator at dowcorning.com/construction.

dowcorning.com/construction

On the *Dow Corning*[®] construction website, you can access downloadable information on *Dow Corning*[®] high performance building materials as well as a variety of support services. You will find technical data sheets, brochures, guides, and technical manuals and articles. The Application Troubleshooter guides you through practical recommendations and problem solving. Calculate the sealant required on the sealant estimator or search for the right product for your application on the Product Finder. For all of this and more, go to dowcorning.com/construction.



Use the Application
Troubleshooter at
dowcorning.com/construction

THE INDUSTRY'S BEST WARRANTIES

Dow Corning Warranty Programs

Combine the commitment of the world leader in silicone technology with the proven, long-life performance of silicone construction materials, and it is not surprising that Dow Corning product warranties are much longer than those typically offered by non-silicone competitors. The following are brief descriptions of our limited warranties. For more information, contact your local Dow Corning representative.



Structural Adhesion Limited Warranty

- 20-year Limited Warranty
- Available only for *Dow Corning*® 795 Silicone Building Sealant, *Dow Corning*® 983 Structural Glazing Sealant and *Dow Corning*® 995 Silicone Structural Sealant
- Project-specific adhesion and compatibility tests required on all substrates that will contact the structural silicone
- Review of project's structural glazing drawing details is required

Weatherseal Limited Warranty

- 20-year Limited Warranty
- Available for *Dow Corning*® silicone construction materials used in non-structural applications (e.g., perimeter seals, weatherseals, splices, internal seals)
- Field or lab adhesion testing may be required for surfaces not listed in the *Dow Corning Americas Technical Manual* (Form No. 62-1112)

Non-Staining Limited Warranty

- Letter verifying test results provided as addendum to 20-year Weatherseal Limited Warranty
- For sealants used on porous surfaces, such as marble, granite, limestone, concrete and brick, where staining may be a concern
- Project-specific substrate testing required (see "Stain Testing," page 16)

Other Limited Warranties

- Project-specific limited warranties are also available for *Dow Corning*® 123 Silicone Seal, *Dow Corning*® AllGuard Silicone Elastomeric Coating and *Dow Corning*® parking structure sealants

When Dow Corning Limited Warranties require prior print review and testing (which takes at least 30 days), advance planning is required to ensure the timely issuance of a warranty.

Limited Warranty	Prior Testing Required	Test Time Required	Print Review Required
Structural Adhesion	Yes	4 weeks	Yes
Weatherseal	No*	4 weeks*	No
Non-Staining	Yes	5 weeks	No
<i>Dow Corning</i> ® AllGuard Silicone Elastomeric Coating	No**	Field testing	No
<i>Dow Corning</i> ® 123 Silicone Seal	No	Field testing	No
<i>Dow Corning</i> ® Parking Structure Sealants	No	Field testing	No

*Surfaces not found in Dow Corning's *Americas Technical Manual* may require prior testing to issue a Weatherseal Limited Warranty.

**Field adhesion tests required if primer is not used.

SOLUTIONS THAT PROMOTE SUCCESS

Innovative Thinking

With a 65-year heritage of materials innovation in dozens of industries worldwide, Dow Corning is a wellspring of innovative thinking. When that thinking is focused on your needs, groundbreaking solutions result – such as the industry’s first four-sided silicone structural glazing application; impact-resistant glazing; non-staining sealant technology for aesthetically sensitive substrates; and custom, three-dimensional silicone rubber seals.

But our support doesn’t end with innovative materials. We also provide innovative services and integrated product/service solutions tailored to your specific needs.

Unmatched Construction Project Support

The Dow Corning Construction group brings you a level of expertise and technical resources unmatched in the industry, including state-of-the-art Construction Testing Laboratories. The capabilities we can bring to the table on your behalf include:

Specialized Testing of Construction Products: From qualification and compatibility testing to custom sealant testing, we can meet your construction product testing needs.

Adhesion, Compatibility and Stain Testing: We can perform the standard testing that is required for issuance of structural glazing and stain-free warranties. These tests are based on Dow Corning-modified ASTM standards and are directly related to projects utilizing *Dow Corning*[®] silicone construction materials. For example:

- **Compatibility Testing:** Incompatible materials can lead to discoloration and/or possible loss of adhesion. Dow Corning will test and provide information on the compatibility of our products with accessory materials (e.g., gaskets, spacers, setting blocks).
- **Adhesion Testing:** Dow Corning will evaluate the adhesion of our products at your job site or on representative materials (e.g., glass, metal, masonry, spacers). Test results, product recommendations, surface preparation and primer can be confirmed in writing, if needed.
- **Stain Testing:** Contact your Dow Corning representative and/or authorized distributor for details on submitting samples and other testing requirements. *Dow Corning*[®] 756 SMS Building Sealant is designed specifically for weathersealing aesthetically sensitive substrates. Stain testing is not required.

Analytical Services: Dow Corning’s Analytical Department can provide you with a wide range of material characterization expertise. We can help you identify and quantify material components and contaminants and troubleshoot a wide variety of material performance and application problems.

Blueprint Review: We can review your blueprints and make recommendations for material and design enhancements, structural glazing, weatherproofing and performance and substrate compatibility.

Important Testing Notes

1. Test results relate only to the products and construction project under test.
2. Samples submitted for evaluation should be identified by project name, location, manufacturer and substrate description.
3. Testing requires about 30 calendar days.
4. Contact your Dow Corning representative for information about the sample submittal procedure. (For the name and location of your local representative, call 1 800 248 2481.)
5. Dow Corning architectural specifications can be found at dowcorning.com/construction.

SOLUTIONS THAT PROMOTE SUCCESS

Building Specification Review and Revision: We can review your building specifications for materials and design criteria with respect to building sealants.

Construction Mock-Up Program: Visualize your project with our on-site technical consultation services for official building mock-up testing.

Custom Designs: *Dow Corning*[®] 123 Silicone Seal can be custom-designed to your project specifications (see page 11). For design and ordering assistance, contact your Dow Corning Technical Service representative.

Sealant Application Training: Our team of experts will train your installers on appropriate surface preparation and installation of *Dow Corning*[®] silicone construction materials.

COOL – Dow Corning COⁿstruction OnLine

A unique Web-based project management system from Dow Corning, COOL is fast, free and easy to use. COOL lets you:

- Create your own project and job information database
- Quickly and easily request print reviews, sample tests and warranties from Dow Corning
- Upload project photos, drawings, logbooks and reports
- Download electronic copies of your test results, recommendations and warranties
- Tap into the collective expertise of Dow Corning's global network of silicone building material experts

COOL tracks the progress of your service requests, giving instant status updates. It lets you see the big picture so you know, at a glance, what you have, what you need and when you'll get it. COOL will even share job details and print review and test results with your Dow Corning contact, automatically. Learn more at dowcorning.com/COOL.



Structural Silicone Glazing Services

Structural silicone glazing is today's most innovative form of curtainwall construction. Glass, ceramic, metal, stone and composite panels are adhered to building frames using structural silicone adhesive/sealants. The adhesive/sealants not only support the panels; they also transmit windloads to the structure and seal the building from the elements.

Dow Corning Technical Service specialists provide project support to architects, consultants, designers, structural engineers, curtainwall manufacturers and erectors, and glass and component suppliers throughout the planning and construction process.

Because pre-job testing, proper design, material selection and close control of work quality contribute to the reliability of silicone structural glazing systems, Dow Corning reviews all structural glazing details before approving specific projects. These details include the project's windload specifications and project

continued ...

Put Dow Corning on Your Design Team

Dow Corning is more than a silicone supplier. We're your high performance building materials *partner*. In addition to silicone, we can also supply the application technology, services and tailored support you need to:

- Integrate sustainable, high performance building solutions throughout your project
- Solve unique structural glazing and weatherproofing challenges
- Improve your in-shop productivity; reduce material waste
- Extend building life
- Reduce building life-cycle costs
- Achieve design freedom

You're the building design and construction experts. We're the silicone technology experts. When the next big design challenge comes along, give us a call. Let's collaborate to take advantage of our innovative thinking and silicone materials expertise.

Make Dow Corning High Performance Building Solutions part of your design team. Together, we can achieve things never before imagined.

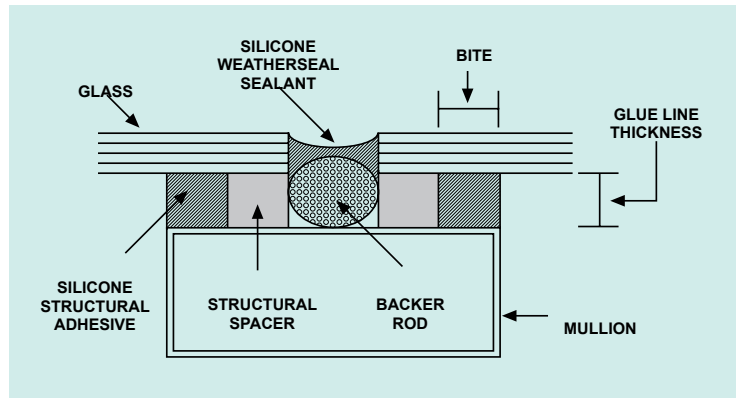
SOLUTIONS THAT PROMOTE SUCCESS

drawings to ensure proper joint design in relation to the types and sizes of materials specified.

Preliminary Guidelines

1. Glue line thickness must not be less than 1/4 inch (6.4 mm).
2. The structural bite must not be less than the glue thickness.
3. Structural bite =
$$\frac{0.5 \times \text{smallest leg of largest lite (ft)} \times \text{windload (lb/ft}^2\text{)}}{\text{Sealant design strength } 20 \text{ (lb/in}^2\text{)} \times 12 \text{ (in/ft)}}$$
4. Always round up when using the above equation. For example, a 4 x 8 ft. lite under 40 lb per ft² windload requires 0.333 inch (8.47 mm) of silicone. You would round this up to 3/8 (0.375) inch (9 mm). Never round down.
5. The structural sealant joint must be able to be filled using standard caulking practices.
6. The joint must not move during cure.

For additional information about structural silicone glazing, call Dow Corning Customer Service at 1 800 248 2481 and request the *Dow Corning Americas Technical Manual* (Form No. 62-1112). For more detailed project review and quality assurance information, look for technical manuals online at dowcorning.com.



How To Contact Us

Dow Corning has sales offices and manufacturing sites, as well as science and technology laboratories, around the globe. Telephone numbers of locations near you are available at dowcorning.com/ContactUs or by calling one of our primary locations listed below.

Your Global Connection

DOW CORNING AMERICAS

North America

+1 989 496 4000

1 800 248 2481

(toll-free from the U.S. and Canada)

South America

+55 19 3887 9797

DOW CORNING ASIA

+86 21 3774 7110

DOW CORNING EUROPE

English, call: +49 (0)611 237 778

German, call: +49 (0)611 237 779

French, call: +49 (0)611 237 773

NOTE:

Any review, recommendation or statement made on behalf of Dow Corning relating to any engineering design, architectural drawing, product formulation, end-use specification or similar document is limited to the knowledge of the product properties as determined by laboratory testing of material produced by Dow Corning. Any comments or suggestions relating to any subject other than such product properties are offered only to call the attention of the engineer, architect, formulator, end-user or other person to considerations that may be relevant in an independent evaluation and determination of the appropriateness of such design, drawing, specification, document or formula.

Cover photo: AV08519

HANDLING PRECAUTIONS

PRODUCT SAFETY INFORMATION REQUIRED FOR SAFE USE IS NOT INCLUDED IN THIS DOCUMENT. BEFORE HANDLING, READ PRODUCT AND MATERIAL SAFETY DATA SHEETS AND CONTAINER LABELS FOR SAFE USE, PHYSICAL AND HEALTH HAZARD INFORMATION. THE MATERIAL SAFETY DATA SHEET IS AVAILABLE ON THE DOW CORNING WEBSITE AT DOWCORNING.COM, OR FROM YOUR DOW CORNING SALES APPLICATION ENGINEER, OR DISTRIBUTOR, OR BY CALLING DOW CORNING CUSTOMER SERVICE.

LIMITED WARRANTY INFORMATION – PLEASE READ CAREFULLY

The information contained herein is offered in good faith and is believed to be accurate. However, because conditions and methods of use of our products are beyond our control, this information should not be used in substitution for customer's tests to ensure that our products are safe, effective and fully satisfactory for the intended end use. Suggestions of use shall not be taken as inducements to infringe any patent.

Dow Corning's sole warranty is that our products will meet the sales specifications in effect at the time of shipment.

Your exclusive remedy for breach of such warranty is limited to refund of purchase price or replacement of any product shown to be other than as warranted.

DOW CORNING SPECIFICALLY DISCLAIMS ANY OTHER EXPRESS OR IMPLIED WARRANTY OF FITNESS FOR A PARTICULAR PURPOSE OR MERCHANTABILITY.

DOW CORNING DISCLAIMS LIABILITY FOR ANY INCIDENTAL OR CONSEQUENTIAL DAMAGES.

Dow Corning is a registered trademark of Dow Corning Corporation.

We help you invent the future is a trademark of Dow Corning Corporation.

©1997-2012 Dow Corning Corporation. All rights reserved.

Printed in USA

AGP12222

Form No. 62-733Y-01

DOW CORNING

We help you invent the future.™