



Wiremold

Modulink™ 880MP Series Floor Boxes

880MP Series Nonmetallic Floor Boxes



Wiremold® Modulink™ 880 Series Nonmetallic Floor Boxes provide power and communication services directly to the workstation or to any open space location. Modulink Floor Boxes are gangable box to allow a one-gang floor box to easily be turned into a two- or three-gang box simply by ganging together individual boxes. This floor box has many applications including commercial offices, retail stores, malls, financial and government institutions.

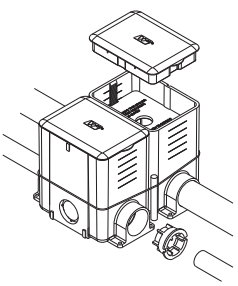


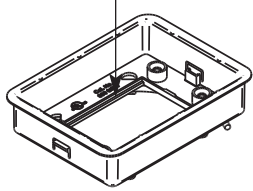
Single-gang Modulink 880 Series Nonmetallic Floor Box can be ganged together to become two- or three-gang boxes to provide multiple services.

FEATURES & BENEFITS

- **Multiple service capability.** Eliminates the cost of a separate floor box and cover to accommodate communication service.
- **Depth markings on exterior of the box.** Makes floor box depth calculations quick and easy. Reduces installation time and labor costs.
- **1 1/4" [32mm] conduit openings.** Provides the largest conduit feed in the industry. Meets customer requirements for greater communication cable capacity.
- **Ratchet adjusting ring.** Allows connection of cover flange without glue or mechanical fasteners. Reduces installation time and cost by providing 10° of post-pour adjustment of the cover flange.
- **Conduit reducers and plugs provided.** Allows direct reduction from 1 1/4" [32mm] conduit to 1", 3/4" or 1/2" [25mm, 19.1mm, or 12.7mm] conduit. Reduces installation time by providing direct reduction and separate plugs by eliminating the need to cut out plugs to form reducers.
- **Brushed aluminum covers for power applications.** 830CK Series Aluminum Covers have been redesigned to now accept threaded conduit when passing through power cables.
- **Brass and brushed aluminum covers to accept single locking power receptacles.** New 828DLR Series provides single flip lid cover.
- **828COMTC Series Cover Kit in brass and brushed aluminum.** Allows communication devices to be recessed into 880W Series Boxes.
- **Cubic inch markings on the interior of the box.** No need to calculate cubic inch capacity for wire fill, saving installation time.
- **Ratchet adjusting ring has built-in fiber storage.** Provides bend radius control for fiber optic cables.
- **Pass-through capability.** Can feed multiple gangs from a single cable feed location. Reduces total installation time.
- **Modular design and gangability.** One SKU to order boxes with the ability to configure boxes as needed on the job site.
- **Internal spacer.** Protects box from deformation of the sidewalls when high temperature additives are used in the concrete pour.
- **Redesigned mudcap.** High impact mudcap protects the box from damage when heavy equipment such as scissor lift trucks come in contact with the box during installation.
- **TopGuard protection.** Activation covers for the 880MP PVC box are TopGuard protected. These cover assemblies keep out water, dirt, and debris from the power and communication compartments.
- **Datacom connectivity options.** Accepts industry standard and proprietary devices from a wide range of manufacturers to provide a seamless and aesthetically pleasing interface for voice, data, audio, and video applications at the point-of-use. A wide selection of data and bezel options available for use with Ortronics® TracJack™ and Series II devices.
- **cULus Listed.** Listed by Underwriters Laboratories Inc. to their standard UL514A, 514C, 514D, and Canadian standard C22.2.

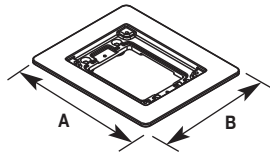
Modulink 880MP Series Floor Box Ordering Information

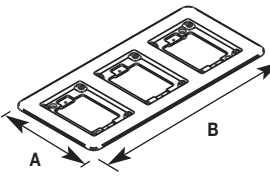
Catalog No./Item	Description/Specifications
880MP 	<p>Nonmetallic Rectangular Floor Box – Box comes complete with reusable mudcap, insert spacer, conduit plugs and reducers. Reducers provided for reduction to 1", 3/4", and 1/2" [25mm, 19.1mm, and 12.7mm] conduit. Minimum concrete depth is 3 1/2" [89mm] and maximum concrete depth is 6" [152mm]. Minimum capacity is 50 cu. in. [819ml] and maximum capacity is 100 cu. in. [1639ml]. Box dimensions are 4 1/8" W x 5 1/2" L x 6" [105mm x 140mm x 152mm].</p> <p>NOTE: Insert spacer should not be removed until after concrete pour.</p> <p>NOTE: Box can be connected together to create a two- or three-gang option.</p>

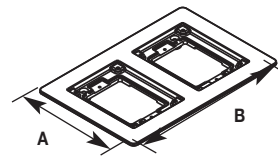
Catalog No./Item	Description/Specifications
880MPA <p style="text-align: center;">Activate Inserts Snap Here</p> 	<p>Nonmetallic Floor Box Adjusting Ring – Comes with fiber storage loop. Also includes brass inserts for flange connection and green ground wire for ground connection. Activate modular inserts snap directly into the adjusting ring without the need for a bezel. Also includes mounting screws to attach flange to box body. Ortronics connectivity inserts do not snap directly into the adjusting ring. For Ortronics inserts use the 828GFITC or 829PFLRT.</p> <p>NOTE: One 880MPA is needed for each 880MP used. For example, a three-gang box will require three 880MPA Adjusting Rings (sold separately).</p>

Modulink 880MP Series Floor Boxes Compatible Cover Plates & Flanges

Brass & Brushed Aluminum Cover Plate Flanges Ordering Information

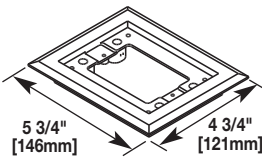
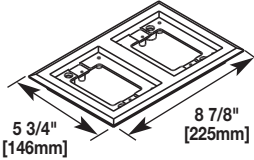
Catalog No./Item	Description/Specifications																			
817B 818TCAL 	<p>One-Gang Brass or Brushed Aluminum Combination Carpet and Tile Flange –</p> <ul style="list-style-type: none"> • Accepts Ortronics MAB6TJ TracJack and MAB3S2 Series II bezels, sold separately. • Accepts the Activate CM-MAB bezel, sold separately. • Wiremold open inserts, sold separately. <table border="1" style="width: 100%; border-collapse: collapse; margin-top: 10px;"> <thead> <tr> <th rowspan="2">FLANGE</th> <th colspan="2">A</th> <th colspan="2">B</th> </tr> <tr> <th>Inches</th> <th>[mm]</th> <th>Inches</th> <th>[mm]</th> </tr> </thead> <tbody> <tr> <td>817B</td> <td>6.080</td> <td>[154.4]</td> <td>5.060</td> <td>[128.5]</td> </tr> <tr> <td>818TCAL</td> <td>5.940</td> <td>[150.9]</td> <td>4.920</td> <td>[124.9]</td> </tr> </tbody> </table> <p>NOTE: Brushed aluminum flanges come with beveled edges.</p>	FLANGE	A		B		Inches	[mm]	Inches	[mm]	817B	6.080	[154.4]	5.060	[128.5]	818TCAL	5.940	[150.9]	4.920	[124.9]
FLANGE	A		B																	
	Inches	[mm]	Inches	[mm]																
817B	6.080	[154.4]	5.060	[128.5]																
818TCAL	5.940	[150.9]	4.920	[124.9]																

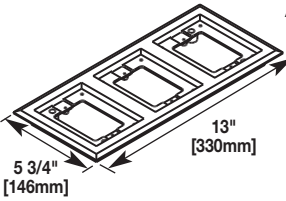
Catalog No./Item	Description/Specifications																			
837B 838TCAL 	<p>Three-Gang Brass or Brushed Aluminum Combination Carpet and Tile Flange –</p> <ul style="list-style-type: none"> • Accepts Ortronics MAB6TJ TracJack and MAB3S2 Series II bezels, sold separately. • Accepts the Activate CM-MAB bezel, sold separately. • Wiremold open inserts, sold separately. <table border="1" style="width: 100%; border-collapse: collapse; margin-top: 10px;"> <thead> <tr> <th rowspan="2">FLANGE</th> <th colspan="2">A</th> <th colspan="2">B</th> </tr> <tr> <th>Inches</th> <th>[mm]</th> <th>Inches</th> <th>[mm]</th> </tr> </thead> <tbody> <tr> <td>837B</td> <td>6.080</td> <td>[154.4]</td> <td>13.310</td> <td>[338.1]</td> </tr> <tr> <td>838TCAL</td> <td>5.940</td> <td>[150.9]</td> <td>13.170</td> <td>[334.5]</td> </tr> </tbody> </table> <p>NOTE: Brushed aluminum flanges come with beveled edges.</p>	FLANGE	A		B		Inches	[mm]	Inches	[mm]	837B	6.080	[154.4]	13.310	[338.1]	838TCAL	5.940	[150.9]	13.170	[334.5]
FLANGE	A		B																	
	Inches	[mm]	Inches	[mm]																
837B	6.080	[154.4]	13.310	[338.1]																
838TCAL	5.940	[150.9]	13.170	[334.5]																

Catalog No./Item	Description/Specifications																			
827B 828TCAL 	<p>Two-Gang Brass or Brushed Aluminum Combination Carpet and Tile Flange –</p> <ul style="list-style-type: none"> • Accepts Ortronics MAB6TJ TracJack and MAB3S2 Series II bezels, sold separately. • Accepts the Activate CM-MAB bezel, sold separately. • Wiremold open inserts, sold separately. <table border="1" style="width: 100%; border-collapse: collapse; margin-top: 10px;"> <thead> <tr> <th rowspan="2">FLANGE</th> <th colspan="2">A</th> <th colspan="2">B</th> </tr> <tr> <th>Inches</th> <th>[mm]</th> <th>Inches</th> <th>[mm]</th> </tr> </thead> <tbody> <tr> <td>827B</td> <td>6.080</td> <td>[154.4]</td> <td>9.185</td> <td>[233.2]</td> </tr> <tr> <td>828TCAL</td> <td>5.940</td> <td>[150.9]</td> <td>9.045</td> <td>[229.7]</td> </tr> </tbody> </table> <p>NOTE: Brushed aluminum flanges come with beveled edges.</p>	FLANGE	A		B		Inches	[mm]	Inches	[mm]	827B	6.080	[154.4]	9.185	[233.2]	828TCAL	5.940	[150.9]	9.045	[229.7]
FLANGE	A		B																	
	Inches	[mm]	Inches	[mm]																
827B	6.080	[154.4]	9.185	[233.2]																
828TCAL	5.940	[150.9]	9.045	[229.7]																

NOTE: Brass covers and flanges are not interchangeable with aluminum or nonmetallic covers and flanges. Nonmetallic covers are interchangeable with aluminum flanges.

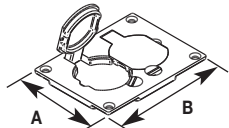
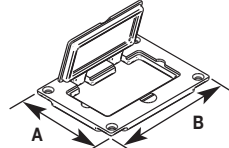
Nonmetallic Floor Box Cover Plate Flanges Ordering Information

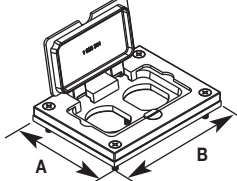
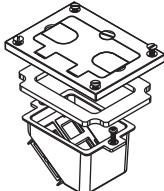
Catalog No./Item	Description/Specifications
817PCC-BLK 817PCC-BRN	<p>One-Gang Nonmetallic Carpet and Tile Flange – Available in black or brown.</p> <ul style="list-style-type: none"> • Accepts Ortronics MAB6TJ TracJack and MAB3S2 Series II bezels, sold separately. • Accepts the Activate CM-MAB bezel, sold separately. • Wiremold open inserts, sold separately.
	
827PCC-BLK 827PCC-BRN	<p>Two-Gang Nonmetallic Carpet and Tile Flange – Available in black or brown.</p> <ul style="list-style-type: none"> • Accepts Ortronics MAB6TJ TracJack and MAB3S2 Series II bezels, sold separately. • Accepts the Activate CM-MAB bezel, sold separately. • Wiremold open inserts, sold separately.
	

Catalog No./Item	Description/Specifications
837PCC-BLK 837PCC-BRN	<p>Three-Gang Nonmetallic Carpet and Tile Flange – Available in black or brown.</p> <ul style="list-style-type: none"> • Accepts Ortronics MAB6TJ TracJack and MAB3S2 Series II bezels, sold separately. • Accepts the Activate CM-MAB bezel, sold separately. • Wiremold open inserts, sold separately.
	

NOTE: Brass and aluminum covers and flanges ARE NOT interchangeable, however, nonmetallic and aluminum covers and flanges ARE interchangeable.

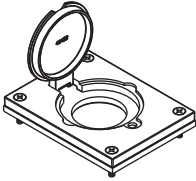
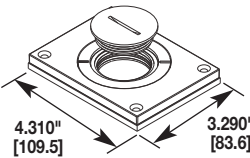
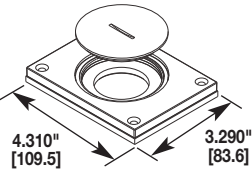
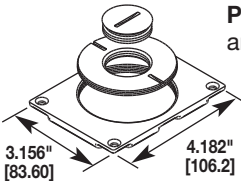
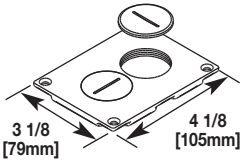
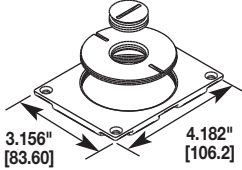
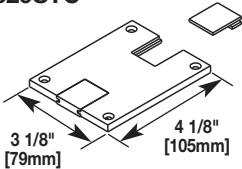
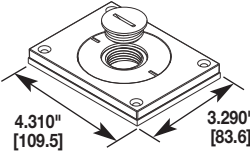
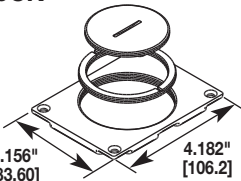
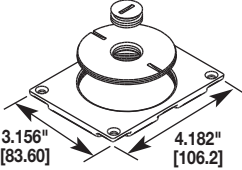
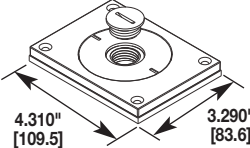
Floor Box Cover Plates Ordering Information

Catalog No./Item	Description/Specifications															
828R 828R-TCAL	<p>Brass or Brushed Aluminum Duplex Cover Plate – Flip lids. Can also be used with a 106 type communication bezel.</p>															
																
<table border="1"> <thead> <tr> <th>COVER</th> <th>Inches</th> <th>A [mm]</th> <th>Inches</th> <th>B [mm]</th> </tr> </thead> <tbody> <tr> <td>828R</td> <td>3.156</td> <td>[80.2]</td> <td>4.182</td> <td>[106.2]</td> </tr> <tr> <td>828R-TCAL</td> <td>3.290</td> <td>[83.6]</td> <td>4.310</td> <td>[109.5]</td> </tr> </tbody> </table>	COVER	Inches	A [mm]	Inches	B [mm]	828R	3.156	[80.2]	4.182	[106.2]	828R-TCAL	3.290	[83.6]	4.310	[109.5]	
COVER	Inches	A [mm]	Inches	B [mm]												
828R	3.156	[80.2]	4.182	[106.2]												
828R-TCAL	3.290	[83.6]	4.310	[109.5]												
828GFITC 828GFITCAL	<p>Brass or Brushed Aluminum GFI Cover Plate – May be used with Activate and Ortronics Connectivity Systems in conjunction with 817B, 827B, and 837B Flanges.</p>															
																
<table border="1"> <thead> <tr> <th>COVER</th> <th>Inches</th> <th>A [mm]</th> <th>Inches</th> <th>B [mm]</th> </tr> </thead> <tbody> <tr> <td>828GFITC</td> <td>3.156</td> <td>[80.2]</td> <td>4.182</td> <td>[106.2]</td> </tr> <tr> <td>828GFITCAL</td> <td>3.290</td> <td>[83.6]</td> <td>4.310</td> <td>[109.5]</td> </tr> </tbody> </table>	COVER	Inches	A [mm]	Inches	B [mm]	828GFITC	3.156	[80.2]	4.182	[106.2]	828GFITCAL	3.290	[83.6]	4.310	[109.5]	
COVER	Inches	A [mm]	Inches	B [mm]												
828GFITC	3.156	[80.2]	4.182	[106.2]												
828GFITCAL	3.290	[83.6]	4.310	[109.5]												

Catalog No./Item	Description/Specifications															
828DPGFITC 828DPGFITCAL	<p>Brass or Brushed Aluminum Rectangular Cover Plate – Allows for mounting of a duplex style receptacle with a rectangular style flip lid cover.</p>															
																
<table border="1"> <thead> <tr> <th>COVER</th> <th>Inches</th> <th>A [mm]</th> <th>Inches</th> <th>B [mm]</th> </tr> </thead> <tbody> <tr> <td>828DPGFITC</td> <td>3.156</td> <td>[80.2]</td> <td>4.182</td> <td>[106.2]</td> </tr> <tr> <td>828DPGFITCAL</td> <td>3.290</td> <td>[83.6]</td> <td>4.310</td> <td>[109.5]</td> </tr> </tbody> </table>	COVER	Inches	A [mm]	Inches	B [mm]	828DPGFITC	3.156	[80.2]	4.182	[106.2]	828DPGFITCAL	3.290	[83.6]	4.310	[109.5]	
COVER	Inches	A [mm]	Inches	B [mm]												
828DPGFITC	3.156	[80.2]	4.182	[106.2]												
828DPGFITCAL	3.290	[83.6]	4.310	[109.5]												
828COMTC 828COMTCAL	<p>Brass or Brushed Aluminum Communication Cover Plate – Allows for up to four communication devices to be mounted in a recessed position within the 880MP Floor Box. The 828COM Cover Plate has removable slides for cable egress.</p>															
																
<table border="1"> <thead> <tr> <th>COVER</th> <th>Inches</th> <th>A [mm]</th> <th>Inches</th> <th>B [mm]</th> </tr> </thead> <tbody> <tr> <td>828COMTC</td> <td>3.156</td> <td>[80.2]</td> <td>4.182</td> <td>[106.2]</td> </tr> <tr> <td>828COMTCAL</td> <td>3.290</td> <td>[83.6]</td> <td>4.310</td> <td>[109.5]</td> </tr> </tbody> </table>	COVER	Inches	A [mm]	Inches	B [mm]	828COMTC	3.156	[80.2]	4.182	[106.2]	828COMTCAL	3.290	[83.6]	4.310	[109.5]	
COVER	Inches	A [mm]	Inches	B [mm]												
828COMTC	3.156	[80.2]	4.182	[106.2]												
828COMTCAL	3.290	[83.6]	4.310	[109.5]												

NOTE: Brass covers and flanges ARE NOT interchangeable with aluminum or nonmetallic covers and flanges. Nonmetallic covers ARE interchangeable with aluminum flanges.

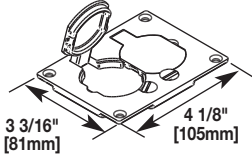
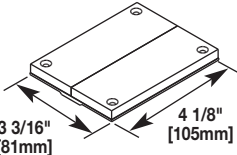
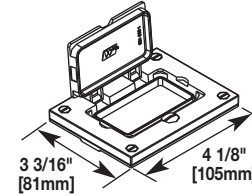
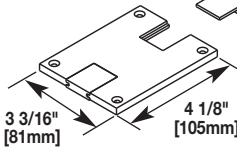
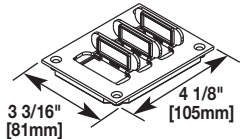
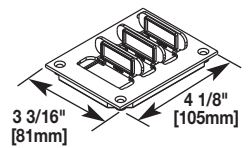
Floor Box Cover Plates Ordering Information (continued)

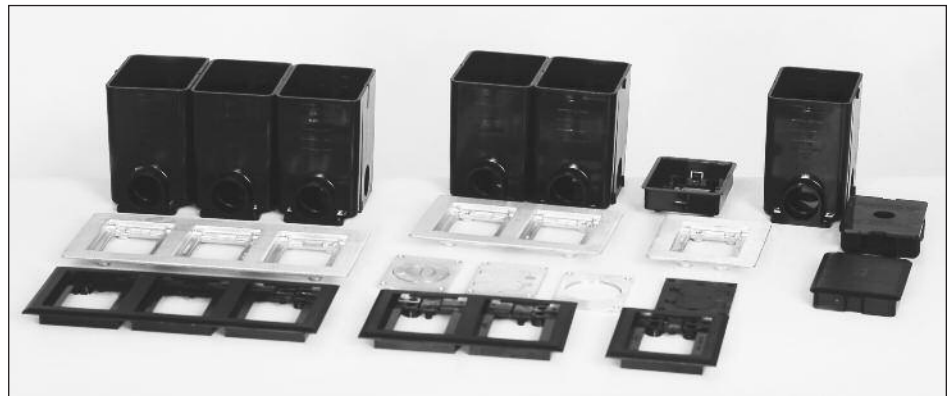
Catalog No./Item	Description/Specifications	Catalog No./Item	Description/Specifications
828DLR 828DLRAL	Brass or Brushed Aluminum Single Locking Receptacle Cover Plate – Single flip lid cover for 20A or 30A single locking receptacles. Device opening is 2 5/8" [67mm]. For use with maximum female locking device of 1.58" diameter, and maximum male plug face of 2.25" diameter	830CKTCAL	Brushed Aluminum Cover Plate – Power or communication plate with 2" [51mm] and 1 1/4" [32mm] plugs. NOTE: Acceptable for use with threaded conduit when passing through power cables.
			
830CKTCLAL	Brushed Aluminum Single Locking Receptacle Cover Plate – Single screw plug cover for 20A or 30A single locking receptacles. Screw plug opening is 2 5/8" [67mm]. For use with maximum female locking device of 1.58" diameter, and maximum male plug face of 2.25" diameter. NOTE: Acceptable for use with threaded conduit when passing through power cables.	829CK-1	Brass Communication Cover Plate – 2 5/8" and 1" [67mm and 25mm] plugs. NOTE: Not for use with threaded conduit.
			
828SPTC	Brass Duplex Cover Plate – Screw plugs. Screw plugs are 1 1/2" [38mm] in diameter. NOTE: Not available in Brushed Aluminum finish. NOTE: Not for use with threaded conduit.	829CK-3/4	Brass Communication Cover Plate – 2 5/8" and 3/4" [67mm and 19.1mm] plugs. NOTE: Not for use with threaded conduit.
			
829STC	Brass Communication Cover Plate – Data slides. Feed through only, not for use with a mounting plate for communication jacks. NOTE: Not available in Brushed Aluminum finish.	830CKTCAL-3/4	Brushed Aluminum Cover Plate – Power or communication plate with 2" [51mm] and 3/4" [19.1mm] plugs. NOTE: Acceptable for use with threaded conduit when passing through power cables.
			
829CK	Brass Communication Cover Plate – 2 5/8" and 2 1/4" [67mm and 57mm] plugs. NOTE: Not for use with threaded conduit.	829CK-1/2	Brass Communication Cover Plate – 2 5/8" [67mm] and 1/2" [12.7mm] plugs. NOTE: Not for use with threaded conduit.
			
		830CKTCAL-1/2	Brushed Aluminum Cover Plate – Power or communication plate with 2" [51mm] and 1/2" [12.7mm] plugs. NOTE: Acceptable for use with threaded conduit when passing through power cables.
			

* Replacement flip lids can be ordered under Cat. No. PFL-BLK and PFL-BRN. Each Cat. No. comes with three flip lids. The above cover plates are listed for tile and carpet applications.

NOTE: Brass covers and flanges ARE NOT interchangeable with aluminum or nonmetallic covers and flanges. Nonmetallic covers and flanges ARE interchangeable with aluminum covers and flanges.

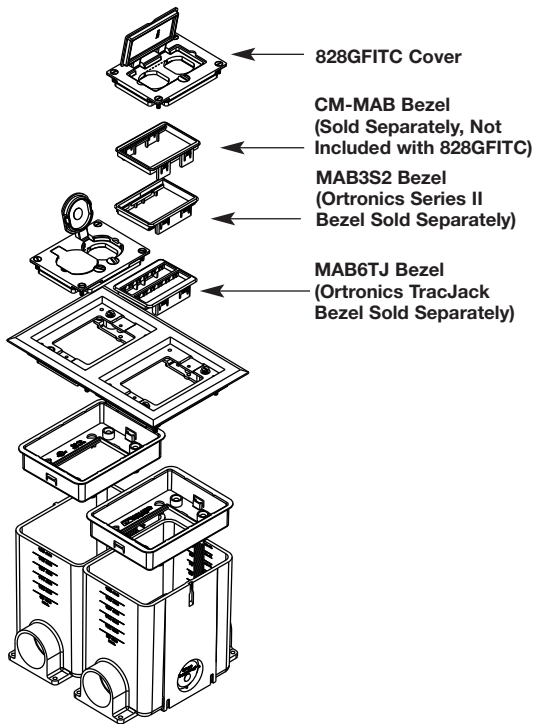
Floor Box Cover Plates Ordering Information (continued)

Catalog No./Item	Description/Specifications	Catalog No./Item	Description/Specifications
828PR-BLK 828PR-BRN 	Nonmetallic Duplex Cover Plate – Flip lids. Available in black or brown. Can also be used with a 106 type communication bezel.	829PCK-BLK 829PCK-BRN 	Nonmetallic Communication Cover Plate – Breakouts. Available in black or brown. Feed through only, not for use with a mounting plate for communication jacks.
828PRGFI-BLK 828PRGFI-BRN 	Nonmetallic GFI Cover Plate – Available in black or brown. May be used with Activate and Ortronics® Connectivity systems in conjunction with 817, 827 and 837PCC Series flanges.	829PSTC-BLK 829PSTC-BRN 	Nonmetallic Communication Cover Plate – Data slides. Available in black or brown. Feed through only, not for use with a mounting plate for communication jacks.
829PFL-BLK 829PFL-BRN 	Nonmetallic Communication Cover Plate – Individual flip lids.* Available in black or brown. Gasket and Activate, CM-MAB adapters. Wiremold Open System inserts included.	<p>* Replacement flip lids can be ordered under Cat. No. PFL-BLK and PFL-BRN. Each Cat. No. comes with three flip lids. The above cover plates are listed for tile and carpet applications. NOTE: Brass covers and flanges ARE NOT interchangeable with aluminum or nonmetallic covers and flanges. Nonmetallic covers and flanges ARE interchangeable with aluminum covers and flanges.</p>	
829PFLRT-BLK 829PFLRT-BRN 	Nonmetallic Communication Cover Plate – Individual flip lids.* Available in black or brown. Gasket and Ortronics® MAB6TJ TracJack and MAB3S2 Series II adapters included.		

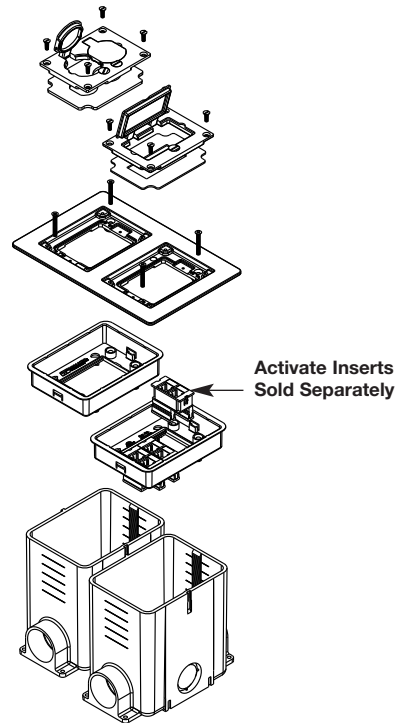


Modulink 880 Series Nonmetallic Floor Boxes are gangable boxes that can easily be turned into two- or three-gang boxes.

Modulink 880MP Series Floor Boxes Mounting Options for Connectivity Inserts



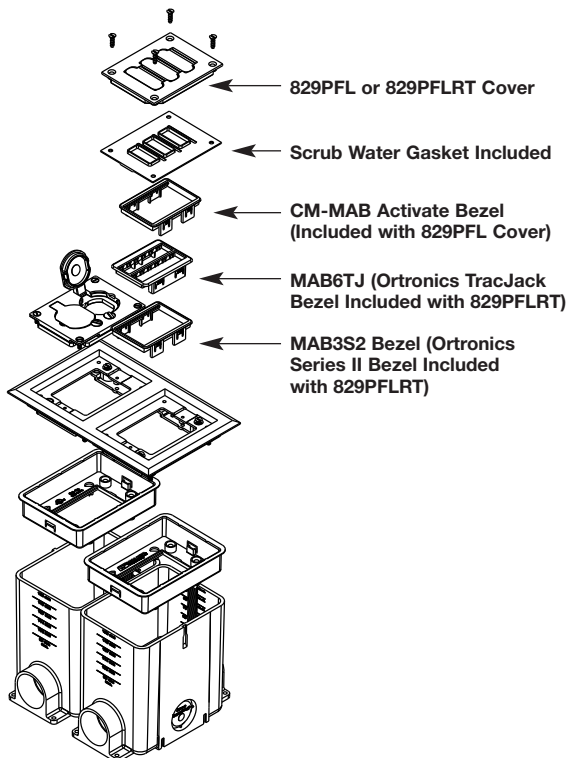
- ← 828GFITC Cover
- ← CM-MAB Bezel
(Sold Separately, Not Included with 828GFITC)
- ← MAB3S2 Bezel
(Ortronics Series II Bezel Sold Separately)
- ← MAB6TJ Bezel
(Ortronics TracJack Bezel Sold Separately)



- ← Activate Inserts
Sold Separately

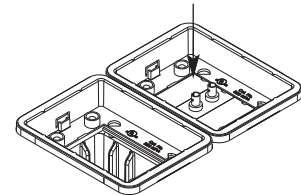
Flush installation with Activate installed using the Activate bezel, or Ortronics installed using the Ortronics bezels.

Recessed installation with Activate installed directly into the 880MPA Adjusting Ring. Ortronics inserts cannot be inserted directly into 880MPA, see below for Ortronics solution.

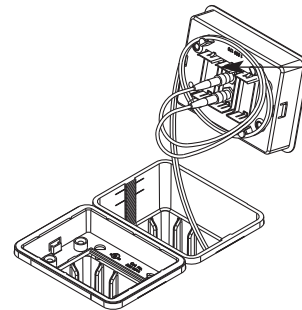


- ← 829PFL or 829PFLRT Cover
- ← Scrub Water Gasket Included
- ← CM-MAB Activate Bezel
(Included with 829PFL Cover)
- ← MAB6TJ (Ortronics TracJack Bezel Included with 829PFLRT)
- ← MAB3S2 Bezel (Ortronics Series II Bezel Included with 829PFLRT)

Fiber Optic Insert (Sold Separately)



Fiber Storage Loop



Fiber Optic Installation (Activate Only).

Flush installation with Ortronics installed using 829PFLRT Cover or Activate installed using 829PFL Cover.

NOTE: Part is approved for scrub water applications only with inserts in the flush position.



Wiremold

WIREMOLD

U.S. and International:

60 Woodlawn Street • West Hartford, CT 06110
1-800-621-0049 • FAX 860-232-2062 • Outside U.S. 860-233-6251

Canada:

570 Applewood Crescent • Vaughan, Ontario L4K 4B4
1-800-723-5175 • FAX 905-738-9721

