

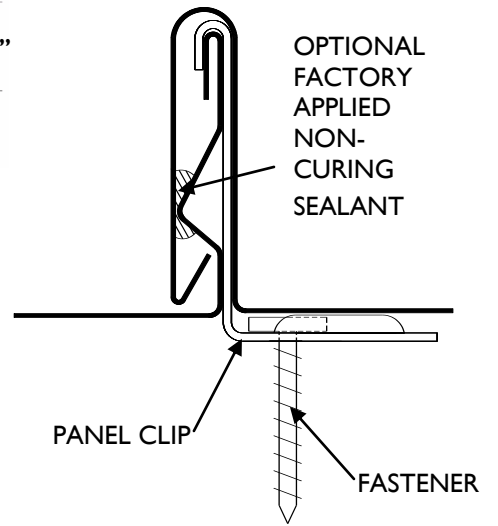


INTER-LOCK IL20



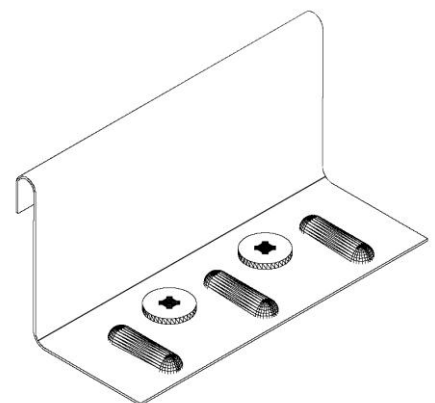
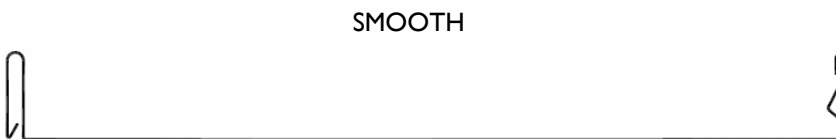
www.dmimetals.com

INTER-LOCK IL20 PANEL PROFILES:



SEAM CROSS SECTION

OPTIONAL STIFFENER PATTERNS:



IL20 PANEL CLIP

INTER-LOCK IL20 (continued)

STANDARD PRODUCT OFFERING

24 ga., 22 ga. Steel, .032 and .040 Aluminum:

<u>MODEL NO.</u>	<u>SEAM ON-CENTER</u>
IL2018	18"

16 oz. and 20 oz. Copper:

<u>MODEL NO.</u>	<u>SEAM ON-CENTER</u>
IL2012	12"
IL2016	16"
IL2018	18"

OPTIONAL PRODUCT OFFERING

24 ga., 22 ga. Steel, .032 and .040 Aluminum:

<u>MODEL NO.</u>	<u>SEAM ON-CENTER</u>
IL2012	12"
IL2016	16"

Custom panel widths are available. Consult DMI for associated costs and lead times.

PRODUCT: INTER-LOCK IL20 is a structural panel which is snapped together during installation. The product is an integral interlocking system by design meaning the panels install in one direction from a given starting point. An IL20DM (double-male) starter panel is available (for a minimal setup fee) and may be installed in the middle of a roof area to achieve a symmetrical layout. INTER-LOCK is a very flexible panel design which works well with a wide range of building designs.

NOTE: Continuous lengths from 4'-0" (min.) up to 90'-0" (max.) is standard. Lengths over 53' require additional crating fees and special hauling permits. Contact DMI for details.

22 ga. steel and .040 aluminum are not stocked in all colors. Minimum order quantities and extended lead times may accompany panel orders when utilizing these substrates

Oil-canning, the slight waviness inherent with light gauge metal, does not affect the finish or structural integrity of the panel and is therefore not cause for rejection.

All INTER-LOCK products are striated standard. See front for other optional stiffener patterns.

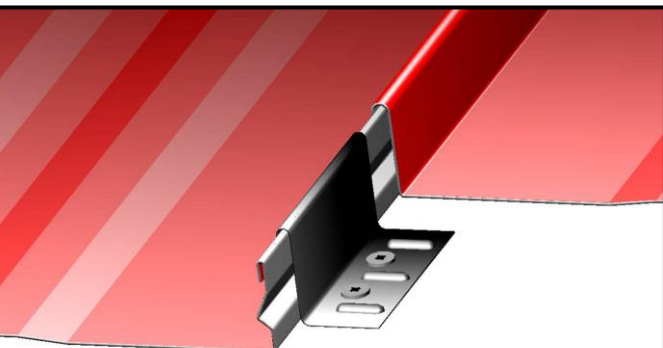
Double Male panels are not recommended with metallic finishes due to the paint finish being directional and may cause color variation or shading.

ROOF ASSEMBLIES: INTER-LOCK IL20 can be applied over various roof assemblies including: open framing, rigid insulation (utilizing a bearing plate under each panel clip spaced 48" o.c., max.) over 22 ga. corrugated steel deck, and various solid substrates including plywood sheathing, nail base insulation, or steel deck.

PRODUCT USES AND APPLICATIONS: Product uses include roofs with slopes as low as 3:12, vertical fascia, equipment screens, mansards, and wall panels. This system may also be installed on tapered roof areas.

ADVANTAGES:

1. UL-90 Classified Assemblies: high wind uplift loading capacities
2. ASTM Air and Water Infiltration and Structural Tested.
3. Optional Factory Applied Non-Curing Sealant: for superior watertightness
4. Engineered Snap-Together Design for easy installation
5. Symmetrical Visual Aesthetics: providing a non-directional appearance
6. Expansion Clips: allows for unlimited thermal expansion and contraction
7. Continuous Interlocking Seam: no seam disengagement
8. Anti-Siphoning Seam Design: prevents water infiltration
9. Continuous Rollformed Lengths: eliminates need for panel lap joints.



DIMENSIONAL METALS, INC.

DMI has specialized in the manufacturing of Architectural Metal Panel Systems and Fabricated Architectural Sheet Metal for the construction industry for over 20 years. We use the most technologically advanced Fixed Base Roll-Forming Equipment with in house quality control so that we can offer the highest product quality available.

Please contact our Engineering Department today for technical assistance.

Headquarters
58 Klema Drive North
Reynoldsburg, OH 43068
Tel: 800-828-1510
Fax: 740-927-3319

North Carolina
Tel: 800-919-1510
Web: www.dmimetals.com
E-mail: sales@dmimetals.com

