

> YES 45 TU

Thermally Broken Front Set Storefront

SYSTEM DESCRIPTION:

YKK AP's family of storefront products is now more versatile with the addition of an energy efficient front set product. Glass is set to the front to maximize energy performance and blend with the aesthetics of curtain wall. The system can be glazed from either the interior or the exterior as required.

YES 45 TU Front Set was designed for excellent thermal performance with standard* Low E insulating glass. Hinged mullions coupled with 90° or 135° inside and outside corners allow creative freedom when curves and angles are part of the design.

OPTIONS & FEATURES:

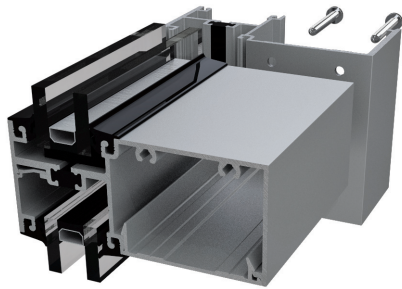
- Excellent thermal performance utilizing standard 1" insulating glass
- Patented ThermaBond Plus® thermal break
- High Performance Sill Flashing
 - ◆ No Blind Seals
 - ◆ Tall back leg for enhanced water resistance
 - ◆ Patented 3 point attachment of end dam
- 2" Face x 4-1/2" Overall Depth
- Patented Screw Spline Technology or Shear Block Assembly

* Standard Low E insulating glass defined as 0.29 COG U-factor, air filled, aluminum box spacer.

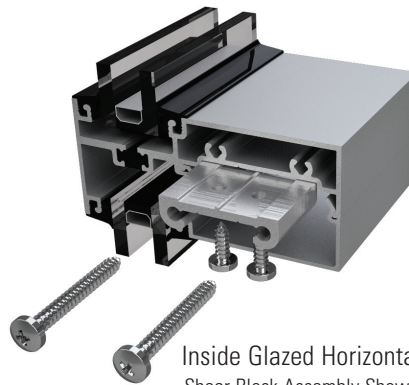


> YES 45 TU Front Set

Thermally Broken Storefront System Specifications



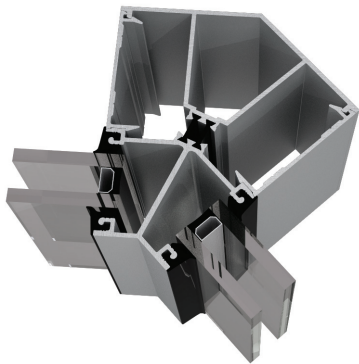
Outside Glazed Horizontal
Screw Spline Assembly Shown



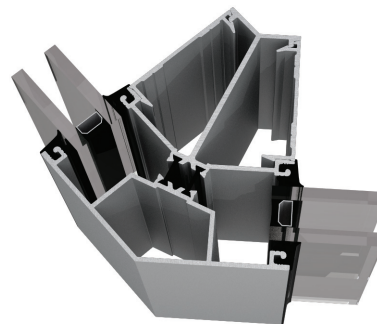
Inside Glazed Horizontal
Shear Block Assembly Shown

PERFORMANCE SUMMARY:

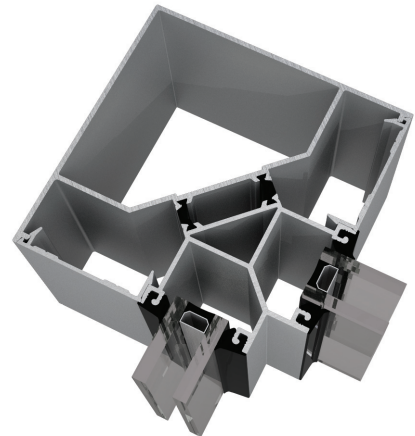
- Air Infiltration (ASTM E 283):
0.06 CFM/FT² @ 6.24 PSF (299 Pa)
- Water Infiltration (ASTM E 331):
12 PSF (575 Pa)
- Acoustical Performance
(ASTM E 90, AAMA 1801):
STC; 1" IGU; 32, 1" Laminated; 36
OITC; 1" IGU; 27, 1" Laminated; 30
- Thermal Performance
(AAMA 507, AAMA 1503, NFRC 100):
Frame CRF = Minimum of 68
Overall system U-factor = 0.40
(using U_{cog} of 0.29)



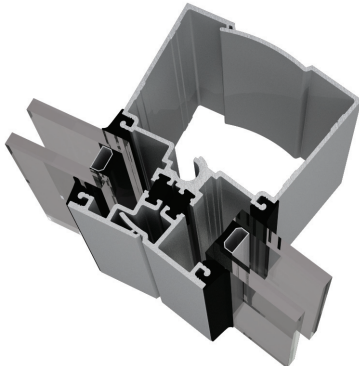
135° Inside Corner



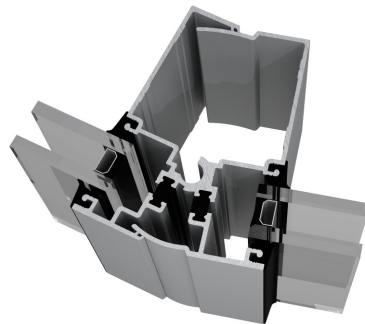
135° Outside Corner



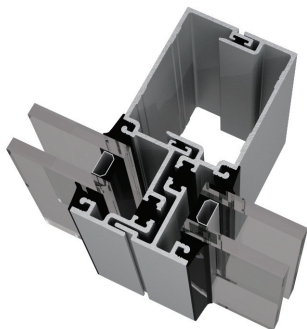
90° Inside Corner



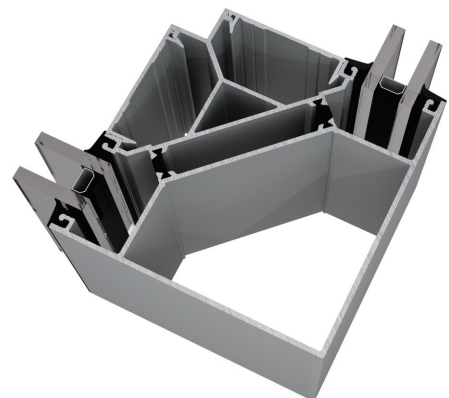
0°–12.5° Inside Hinged Mullion



0°–15° Outside Hinged Mullion



Expansion Mullion



90° Outside Corner

For additional information on architectural aluminum products offered by YKK AP America Inc. visit our web site at www.ykkap.com.