

SW100

Low Energy Swing Door Operator



Besam, an industry leader in commercial entry solutions, is pleased to offer the SW100 low energy swing door operator. ADA compliant and suitable for use on your existing manual doors, the SW100 has the durability and strength to withstand light to medium abuse, all while meeting the gentle push forces of low energy codes and manual use. SW100 is flexible, innovative and quiet with unique features, and is the ideal operator for a wide range of environments and applications.

- Complies with ANSI Standard A156.19
- UL/CUL Approved - Listing #939D
- ANSI/BHMA tested
- Operators can be integrated with security systems, card readers, etc.
- Quiet and aesthetically pleasing
- Electro-mechanical
- Adjustable spring close
- Electric strike integration
- Integration with overhead presence devices for safety
- Efficient and cost-effective

In addition to these convenient features, SW100 offers some sophisticated benefits not found in other low energy operators:

- Lock circuit retry – if attempt to close the door is unsuccessful, the operator will reverse 10 degrees and reclose in an attempt to successfully lock the door.
- Electronic dampening – automatically counteracts additional forces applied to the door during the opening and closing cycle.
- Stack pressure compensation – the electronic control allows for increases of forces to overcome minor stack pressures while automatically compensating to lower manual push forces to comply with ANSI A156.19 when the door is used in manual mode.
- Battery Convenience Mode – operator can be activated by battery power for continuous operation in the event of a power failure.



ASSA ABLOY

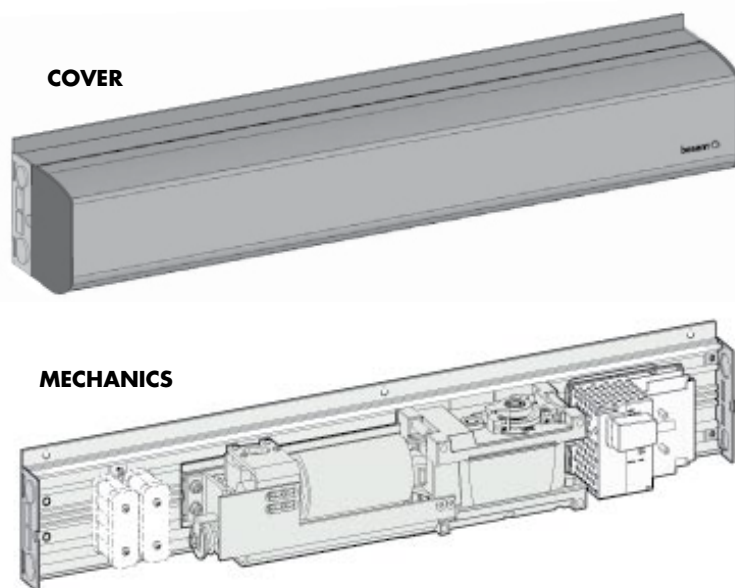
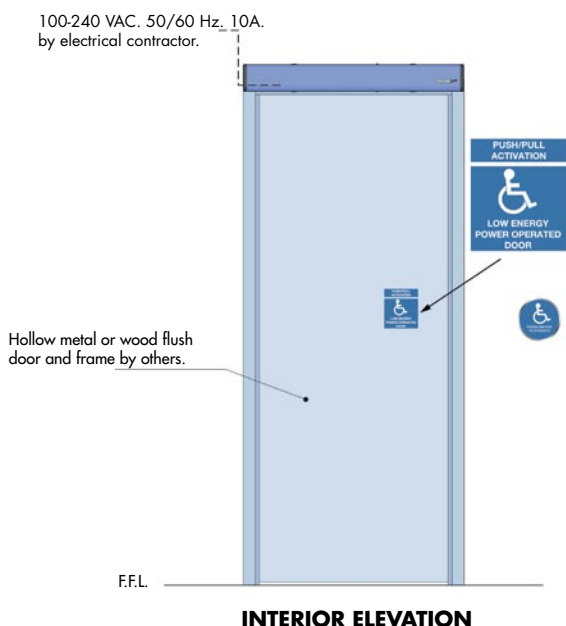
ASSA ABLOY, the global leader in door opening solutions

SW100

Low Energy Operator



- Test of Safety Sensors – operator monitors any external safety sensors before opening and closing the door. If sensors are not functioning properly, automation is deactivated and the door will function as a manual swing door with door closer.
- Power Assist – torque-controlled feature that can be adjusted to lower the open forces when the operator is used manually.
- Obstruction Control – if the door becomes obstructed during operation, the obstruction control in the operator will stop the door and reverse the movement. This feature provides a high degree of safety at a very reasonable cost.
- Low Power Consumption – average electrical power required to open a 36" (914 mm) door is 25 W resulting in lower running costs.



ASSA ABLOY

1900 Airport Road • Monroe, NC 28110
 Phone: 866-BESAM-US • 704-290-5520 • Fax: 704-290-5544
 Web: www.besam.com
 E-mail: marketing@besam-usa.com

Besam Worldwide Plant and Sales Offices

Australia • Austria • Belgium • Canada • China • Denmark
 Finland • Germany • Italy • Malaysia • Mexico • Netherlands
 Norway • Poland • Singapore • Spain • Sweden • Switzerland
 United Kingdom • United States

Besam Sales Office

For the name and location of your local authorized Besam Distributor, please contact Sales and Marketing at 1-866-237-2687 or email marketing@besam-usa.com.

Besam follows a policy of advancements in development. For this reason, specifications may be changed without notice.

© Copyright 2008 Besam US Inc.
 All Rights Reserved. Printed in USA.