

## Chicago Metallic 1496 Seismic Perimeter Clip

### Product

#### Applications

Useful in Seismic Design Categories C, D, E and F as an alternate method of stabilizing perimeter (border) tees. Used in lieu of stabilizer bars (to prevent the tees from spreading apart), and the perimeter hanger wire, if approved by the local authority having jurisdiction. The clip allows tees to move into or away from the wall angle per IBC code and CISCA recommendations.

#### Features

- ICC-ES installation approach (ESR #2631)
- Exceeds IBC requirement of 2" ledge support of grid components.
- Dimension markers included on clip showing required 3/8" and 3/4" clearance of grid to the wall.
- Back plate accommodates additional attachment of clip to wall and /or wall angle.
- Screw holes are provided for attaching clip to tee when required.

#### Benefits

- Bright gold color makes clip easily identifiable on job site inspections.
- Installation of the clip is quick due to pre-drilling of screw holes.
- Installation time for ceiling panels is reduced by eliminating spacer channels. Ceiling panel damage due to perimeter hanger wires is eliminated (if this method is approved by local code officials).

#### Material:

##### A. General

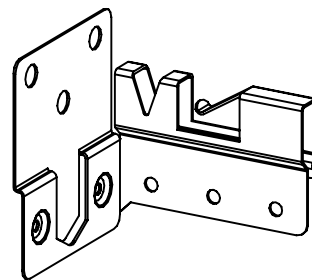
Commercial quality steel, gold color, sized to fit Chicago Metallic ceiling grid components

#### Component:

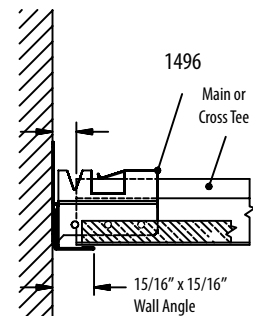
1. **Seismic Perimeter Clip.** □ 1496.00

Specify the 1496 with these compatible CMC suspension systems: 200 Snap-Grid™, 250 Fire-Front™, 1200 Seismic, 1250 Fire-Front™ Seismic, 1280 Aluminum Cap, 4000 Tempra™, 4050 Fire-rated Tempra™, 4500 Ultraline, and 4600 Ultraline.

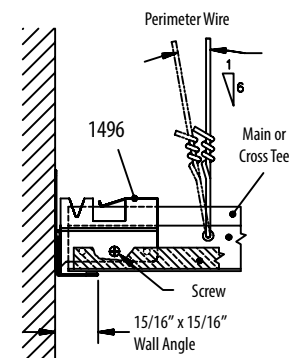
Please refer to ICC-ES ESR #2631 for applicable components.



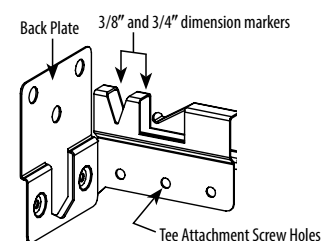
#### Sections



Category C  
Perimeter Treatment



Category D, E, & F  
Perimeter Treatment



1496 Seismic  
Perimeter Clip

## Chicago Metallic 1496 Seismic Perimeter Clip

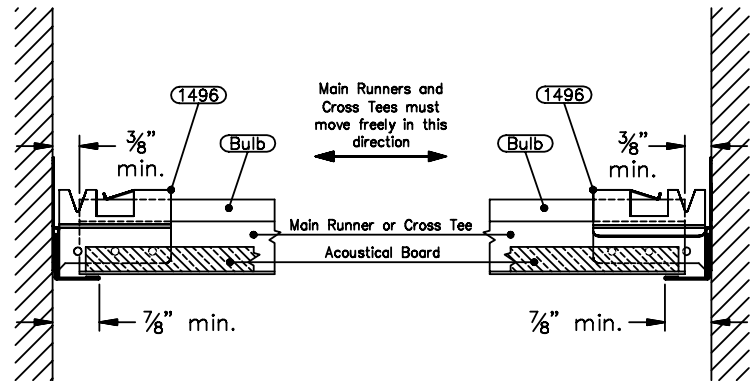
### ICC-ES evaluated and compliant with IBC 2006, 2009 and 2012 - Category C Perimeter Treatment using 1496 Perimeter Clip

- 1) Minimum 7/8" wide ledge support with minimum 3/8" clearance for all components at perimeter walls and ceiling penetrations.
- 2) Components shall be tied together to prevent spreading using the 1496 clip at the end of each perimeter component.
- 3) If perimeter wall is out of square, friction between clip and wall may not be sufficient to prevent lateral movement of the clip. Fastener(s) (e.g., screw or fence staple) may be used in this case to affix 1496 clip to perimeter wall via the wall angle or directly into the wall itself.
- 4) See Section 13.5.6 of ASCE 7, as referenced in IBC Section 1613 and CISCA "Recommendations For Direct Hung Acoustical Tile And Lay-In Panel Ceilings - Seismic Zones 0-2" May 2004 for complete installation details.

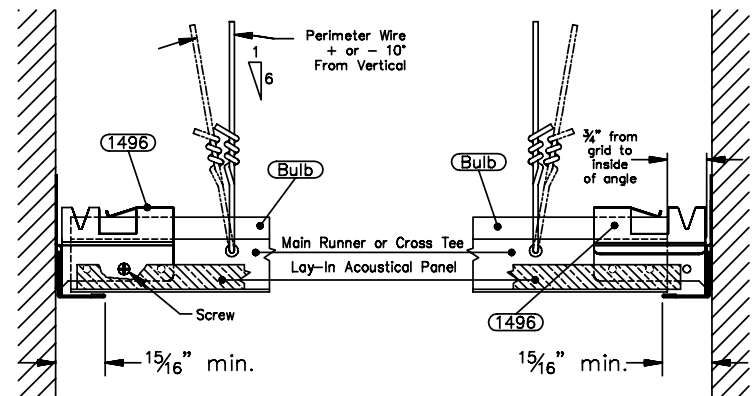
### ICC-ES evaluated and Compliant with IBC 2006, 2009 and 2012 - Category D, E, F Perimeter Treatment using 1496 Perimeter Clip

- 1) Minimum 2" wide ledge support on all walls. Minimum 3/4" clearance for all components on two adjacent walls. Components at two adjacent walls must be positively attached to the perimeter closure (i.e., angle, channel, etc.).
- 2) Components shall be tied together to prevent spreading using the 1496 clip at the end of each perimeter component (Refer to item 5, CISCA Guideline Zones 3 & 4).
- 3) Each perimeter component supported by 12 ga. hanger wire within 8" of each wall or ceiling discontinuity. The 1496 clip may be used in lieu of this requirement when approved by the authority having jurisdiction (Refer to item 5, CISCA Guideline Zones 3 & 4).
- 4) If perimeter wall is out of square, friction between clip and wall may not be sufficient to prevent lateral movement of the clip. Fastener(s) (e.g., screw or fence staple) may be used in this case to affix 1496 clip to perimeter wall via the wall angle or directly into the wall itself.
- 5) See Section 13.5.6 of ASCE 7, as referenced in IBC Section 1613 and CISCA "Guidelines For Seismic Restraint For Direct Hung Suspended Ceiling Assemblies - Seismic Zones 3 & 4" May 2004 for additional installation details.

The above information, ICC-ES, IBC and CISCA publications are subject to change without notice. It is the users responsibility to verify the acceptability of these installation practices with the authority having jurisdiction.



NOTE: Perimeter components must move freely, therefore no attachment devices that would inhibit movement are allowed (i.e., pop rivets, screws, etc.).



**ROXUL**  
**Rockfon**<sup>®</sup>



ROCKFON, LLC 4849 SOUTH AUSTIN AVE., CHICAGO, IL 60638 / USA and Canada: 800-323-7164 / Fax: 800-222-3744 / rockfon.com