



FIRE RATED FRAMES FOR 45/60/120 MINUTE APPLICATIONS - PATENT NO. 9,045,900

The Fireframes TimberLine™ Series features a high strength steel sub-frame (51 mm wide) with a real wood veneered metal cover cap. The result is a barrier to radiant and conductive heat transfer with tall spans and a real wood finish. Combined with Pilkington Pyrostop® fire-rated glass, this system allows for unlimited areas of glazing in fire separations. Made in the United States, the Fireframes Timberline Series is UL classified and labeled and can incorporate Fireframes® Designer Series doors, Fireframes Heat Barrier Series doors or wood doors by others.

FEATURES

- Fire ratings of 45/60/120 minutes
- Easy installation
- Frames supplied “K-D” (knock-down)
- Real wood finish veneered metal cover caps
- Multiple species available including white maple, cherry, fir and oak (other species also available - check with TGP)
- Incorporates large individual panes of Pilkington Pyrostop glass, composed of low-iron Pilkington OptiWhite™ glass
- Designed for interior use
- Passes wall assembly test standard UL 263 / ASTM E119 for 60 and 120 minute ratings
- Fabricated in the U.S.A.
- Compatible with Fireframes Designer Series, Fireframes Heat Barrier Series full-glass doors from TGP or wood doors by others

LISTINGS

Classified and labeled by Underwriters Laboratories, Inc.® as Design Number U558 and Underwriters Laboratories of Canada as CIK7.R25274-U558. Frame tests performed in accordance with UL 263 / ASTM E-119 (60-120 minutes), CAN/ULC-S101, NFPA 251, UL 9, UL 10C. Fireframes Designer Series and Fireframes Heat Barrier Series doors tested in accordance UL 10B, UL 10C, and NFPA 252. Approved for use in Los Angeles – LARR 25798.

SPECIFICATIONS

Complete 3-part CSI format specifications are available online at fireglass.com, or by calling **800.426.0279**.

FRAMING		
RATING	MAX. EXPOSED GLASS AREA PER PIECE	MAX. EXPOSED GLASS DIMENSION
45 min.*	4,500 in ² (2.90 m ²)	95-1/4 in (2,419 mm)
60 min.**	5,616 in ² (3.62 m ²)	96 in (2,438 mm)
120 min.**	3,730 in ² (2.41 m ²)	111 in (2,819 mm)

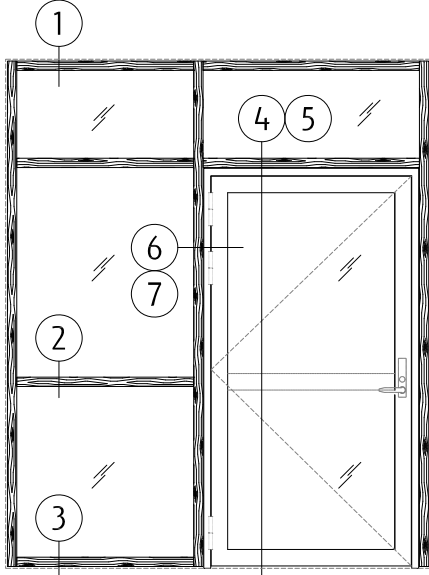
* 45 minute window systems are classified as an Opening Protective as per UL 9, with a maximum overall frame size of 109" x 120" (2,769 mm x 3,046 mm).

** 60 and 120-minute tests conducted per UL 263 / ASTM E-119. Therefore assembly is classified as a wall assembly, and not subject to “opening” area limitations.

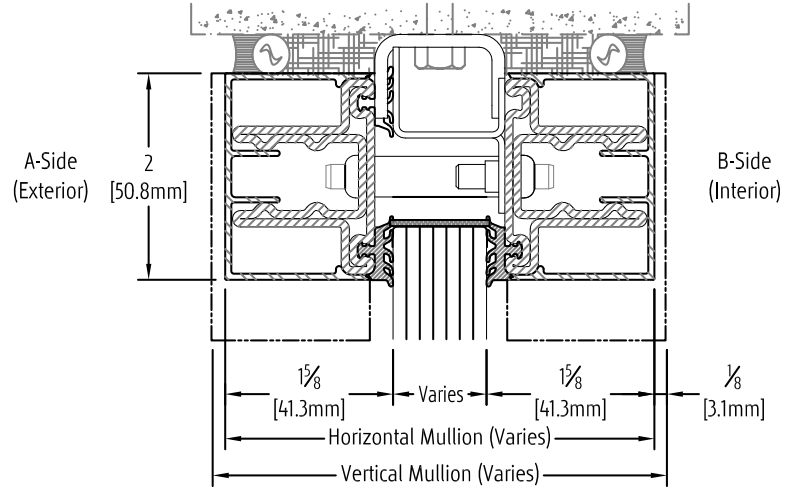
DOORS		
RATING	MAX. SINGLE DOOR LEAF SIZE	MAX. EXPOSED GLASS SIZE PER PIECE
Fireframes Designer Series		
20 min.	42" x 96" (1.07 m x 2.44 m)	36" x 89" (.91 m x 2.26 m)
45 min.	42" x 96" (1.07 m x 2.44 m)	36" x 89" (.91 m x 2.26 m)
60 min.	42" x 96" (1.07 m x 2.44 m)	36" x 89" (.91 m x 2.26 m)
90 min.	43" x 95-7/8" (1.09 m x 2.44 m)	36" x 56-1/2" (divided lite door) (.91 m x 1.44 m)
Fireframes Heat Barrier Series***		
60 min.	48-7/8" x 95-15/16" (1.24 m x 2.44 m)	41-5/8" x 89-3/4" (1.06 m x 2.28 m)
90 min.	48-7/8" x 95-15/16" (1.24 m x 2.44 m)	41-5/8" x 89-3/4" (1.06 m x 2.28 m)

*** Where temperature rise door is required.

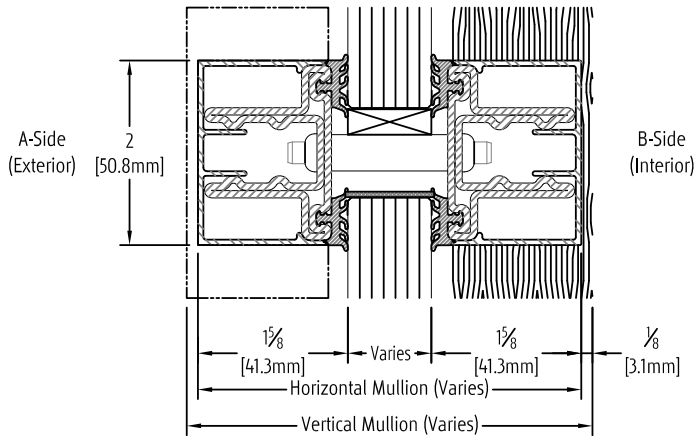
ELEVATION VIEW



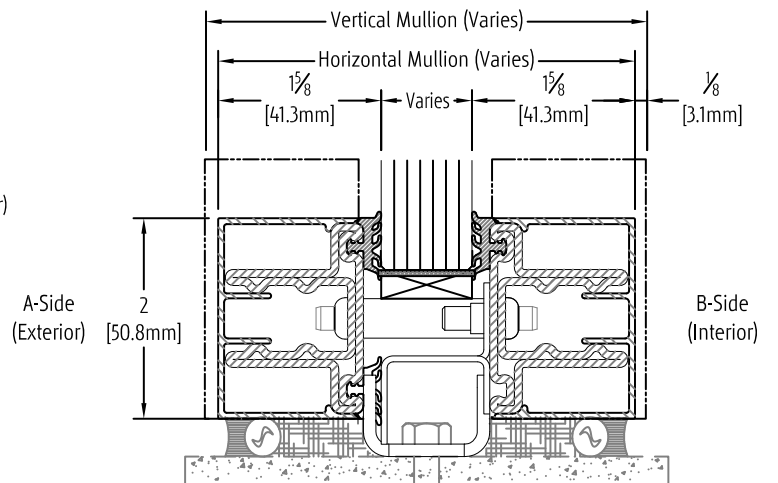
1 HEAD MULLION SECTION



2 HORIZONTAL MULLION SECTION

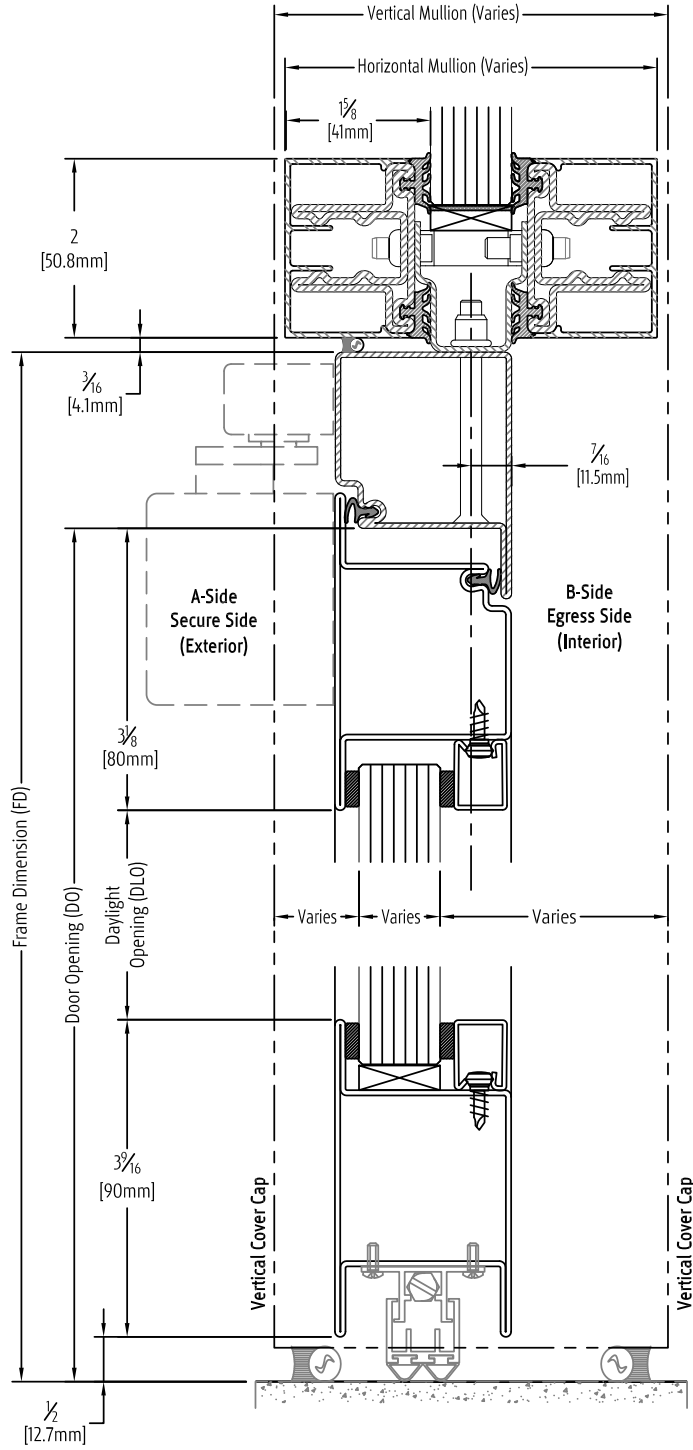


3 SILL MULLION SECTION

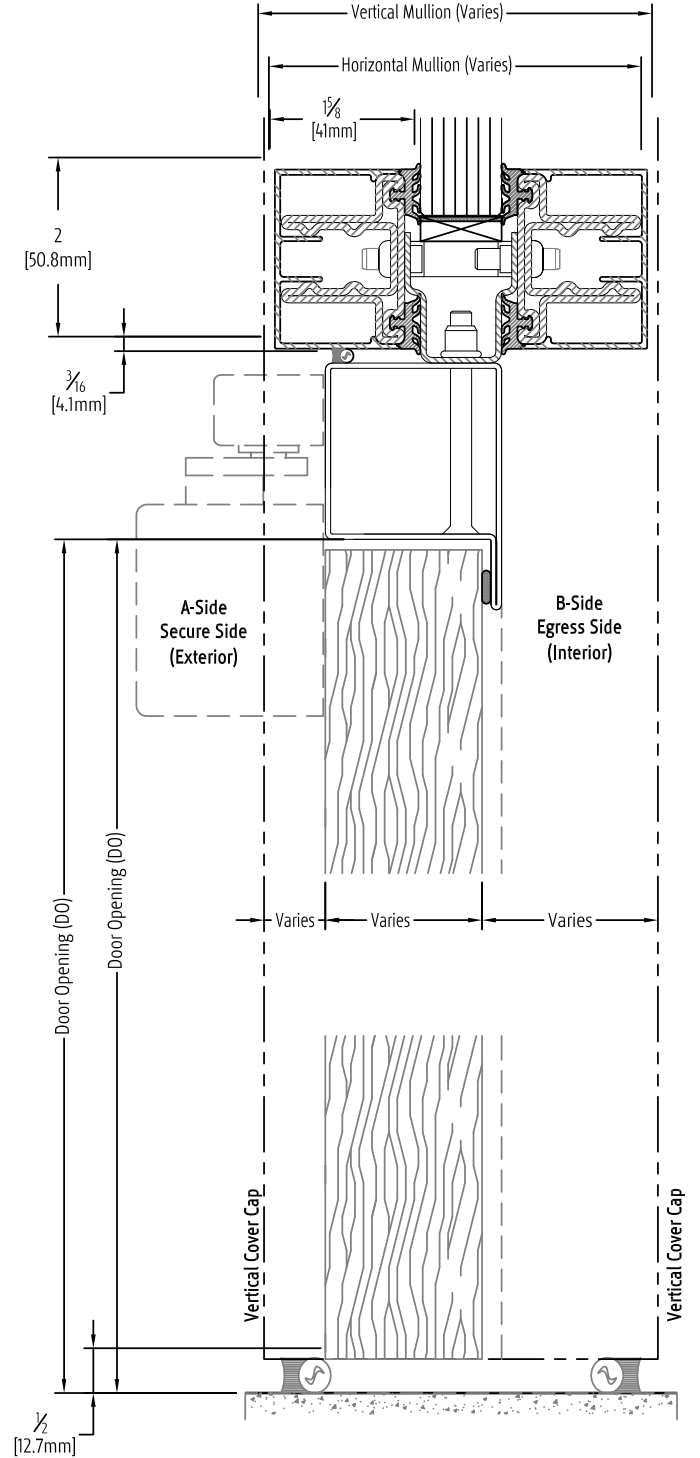


Details shown use Fireframes Designer Series Doors by TGP. For temperature rise doors, please consider Fireframes Heat Barrier Series doors from TGP.

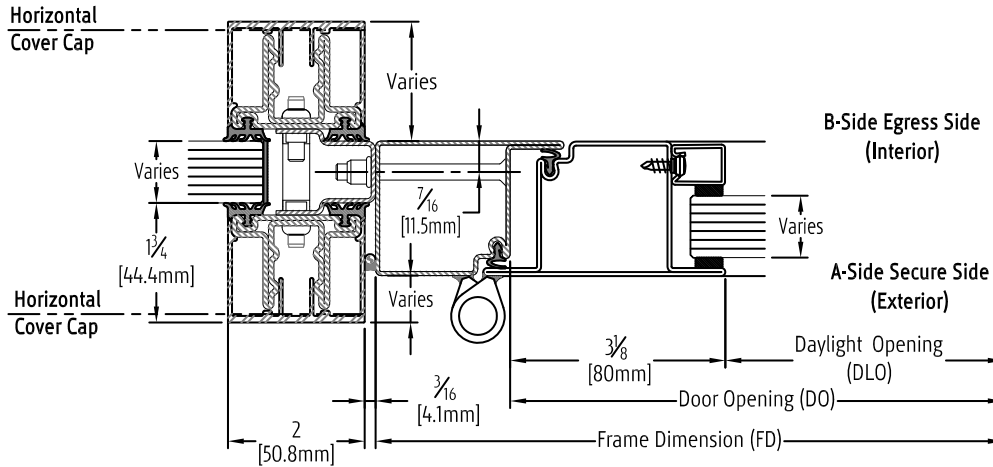
**4 DOOR AND TRANSOM
FIREFRAMES DESIGNER SERIES
DOOR AND FRAME**



**5 DOOR AND TRANSOM
FIREFRAMES DESIGNER SERIES
FRAME WITH DOOR BY OTHERS**



**6 VERTICAL MULLION WITH OUTSWING DOOR AT PIVOT JAMB
FIREFRAMES DESIGNER SERIES DOOR AND FRAME**



**7 VERTICAL MULLION WITH OUTSWING DOOR BY OTHERS AT PIVOT JAMB
FIREFRAMES DESIGNER SERIES FRAME WITH DOOR BY OTHERS**

