



FIRE-RATED



HOSE STREAM TESTED



HEAT BARRIER



POSITIVE PRESSURE TESTED



STAINLESS STEEL OPTION



## FIREFRAMES SG CURTAINWALL® SERIES - PATENT NO. 8,567,142

With the Fireframes SG Curtainwall® Series, design professionals can now create large, fire-rated glazed walls with the smooth, monolithic appearance of a structural silicone glazed system. The patented, fire-rated toggle glazing system allows for rapid installation of fire-rated Pilkington Pyrostop® glass while being completely hidden once installed. These features, combined with narrow steel frames allow high strength, clean sightlines and up to 120 minutes of fire resistance. The system is also available with captured options to meet project design aesthetics. Captured options range from a captured perimeter; a captured perimeter with either vertical or horizontal connections captured; to other design-specific configurations. Fireframes SG Curtainwall is just one of the many expressions of creativity that are changing traditional thinking about fire-rated glass and framing. The future of fire safety has never looked so good. Now fabricated in the United States, Fireframes SG Curtainwall Series frames are classified and labeled with UL and ULC.

## FEATURES

- Fire ratings of 45, 60 and 120 minutes
- 60 and 120 minute ratings allow unrestricted glazing area for use in locations where total glazing exceeds 25% of wall
- Full-lite doors available in single leaf or double leaf design (see Fireframes® Designer Series or Fireframes® Heat Barrier Series)
- Air and water pressure tested and approved for exterior use
- Durable narrow steel and stainless steel profiles ensure low maintenance system
- Select profiles available in 304 brushed stainless steel for fire ratings up to 60 minutes (#4 finish)
- Silicone sealed for smooth monolithic appearance, no pressure plates or caps
- Shear block fabrication system
- Easy installation using unique toggle retention system
- Captured option available (perimeter, 2-sided, or other design-based configurations)
- Frames supplied "K.D." (knock-down)
- Finish painted at the factory to match desired color scheme
- Fabricated in the U.S.A.

## LISTINGS

Classified and labeled by Underwriters Laboratories, Inc.® as Design Number U554 and Underwriters Laboratories of Canada as Design Number W495. Frame tests performed in accordance with UL 263 / ASTM E-119 (60-120 minutes), NFPA 251.

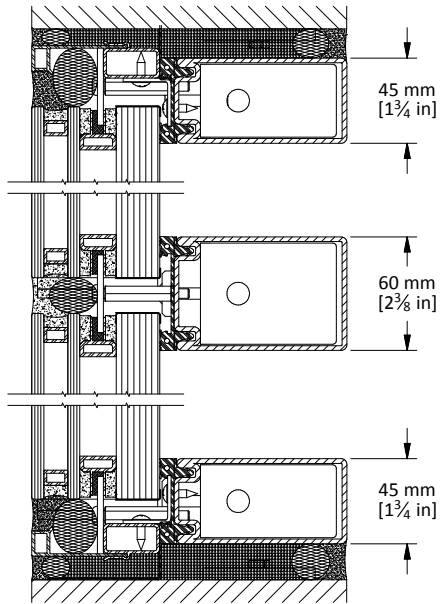
## SIZING GUIDELINES

FRAME RATING	MAXIMUM EXPOSED GLASS AREA PER FRAME	MAXIMUM EXPOSED GLASS SINGLE DIMENSION	MAXIMUM FRAME DIMENSION
45 minutes	31.25 sq. ft. (4,500 sq. in.) 2.9 m <sup>2</sup>	95 - 1/4" 2,419 mm	120" x 120"* 3,048 mm x 3,048 mm
60 minutes	39 sq. ft. (5,605 sq. in.) 3.62 m <sup>2</sup>	96" 2,438 mm	No Limitations**
120 minutes	25.9 sq. ft. (3,730 sq. in.) 2.41 m <sup>2</sup>	111" 2,819 mm	No Limitations**

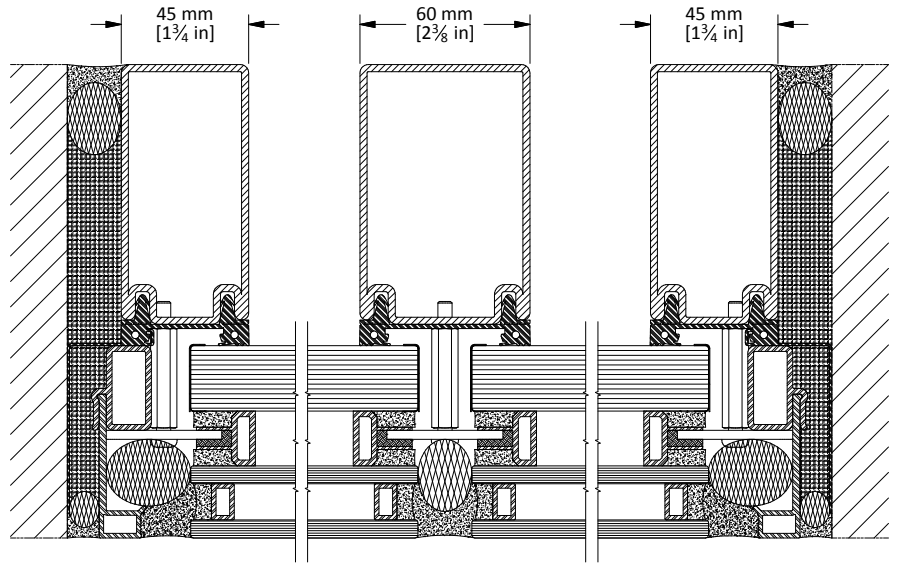
Note: Exposed area and size limitations are calculated from the frame side as DLO.

\* 45-minute window systems are classified as an Opening Protective as per UL 9.

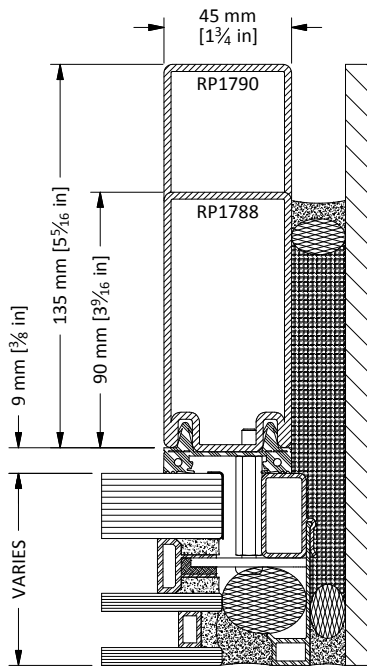
\*\* 60- and 120-minute tests conducted per UL 263 / ASTM E-119. Therefore assembly is classified as a wall assembly, and not subject to "opening" area limitations.



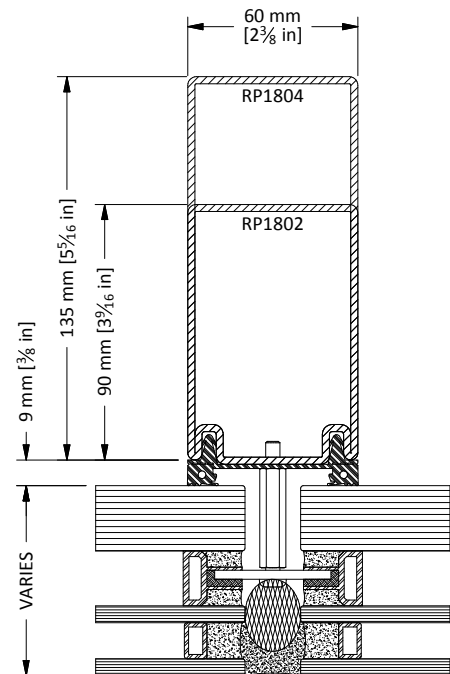
**HORIZONTAL MULLIONS**



**VERTICAL MULLIONS**

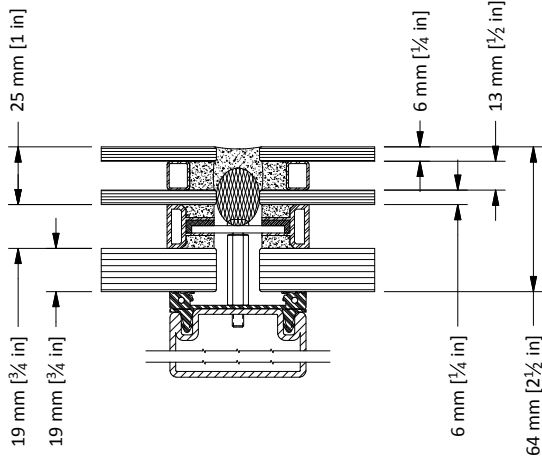


**PERIMETER MULLION 45 MM PROFILE OPTIONS**

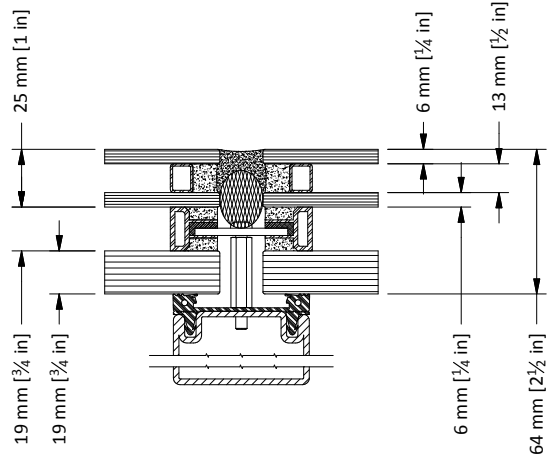


**INTERMEDIATE MULLION 60 MM PROFILE OPTIONS**

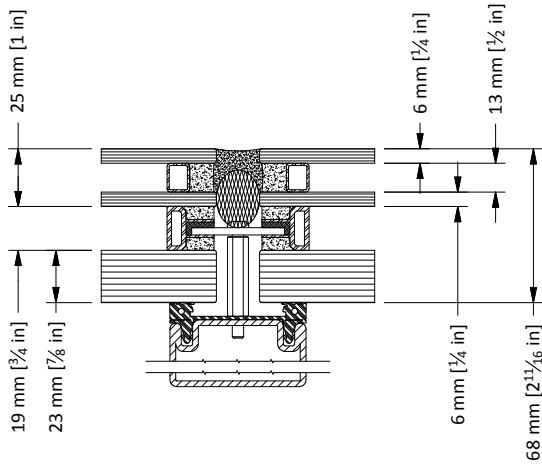
**GLAZING OPTIONS**



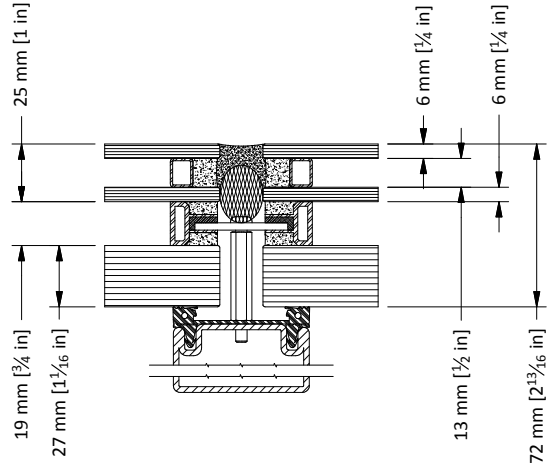
**45 MIN INTERIOR  
45-260 FG**



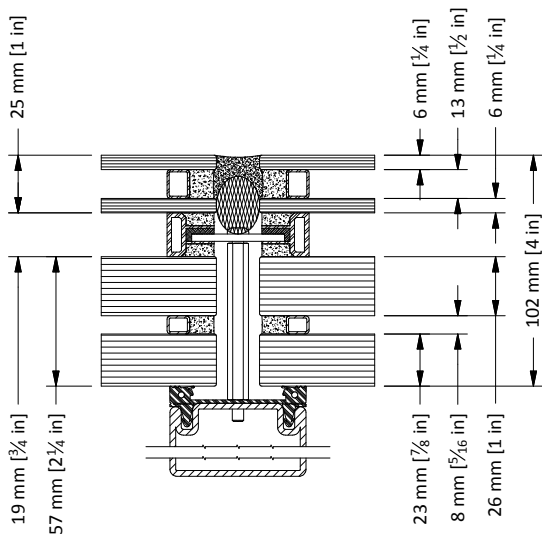
**45 MIN EXTERIOR  
45-360 FG**



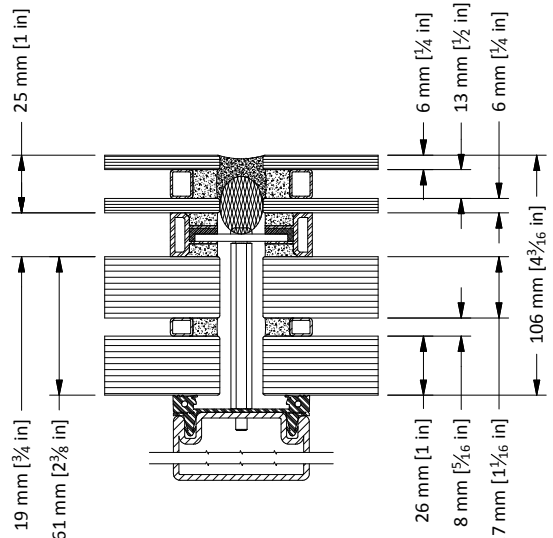
**60 MIN INTERIOR  
60-161 FG**



**60 MIN EXTERIOR  
60-361 FG**



**120 MIN INTERIOR  
120-166 FG**



**120 MIN EXTERIOR  
120-363 FG**