



General Contractors

Tormax iMotion[®]
TN 110 In-Floor Swing Door Operator

Installation/Facilitation Guidelines

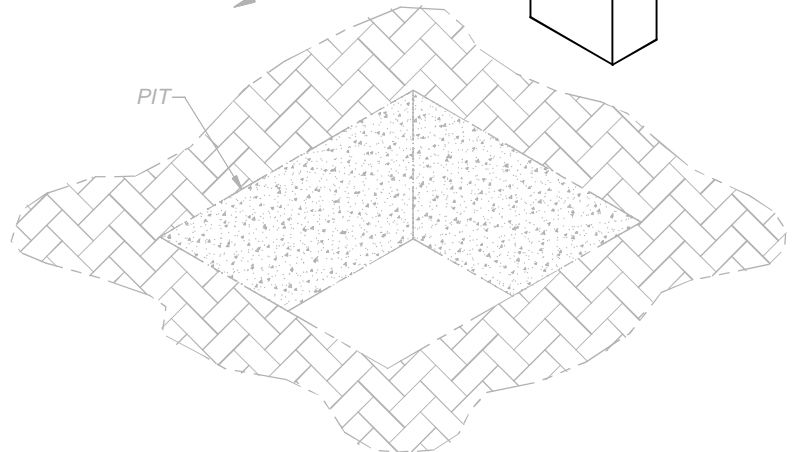
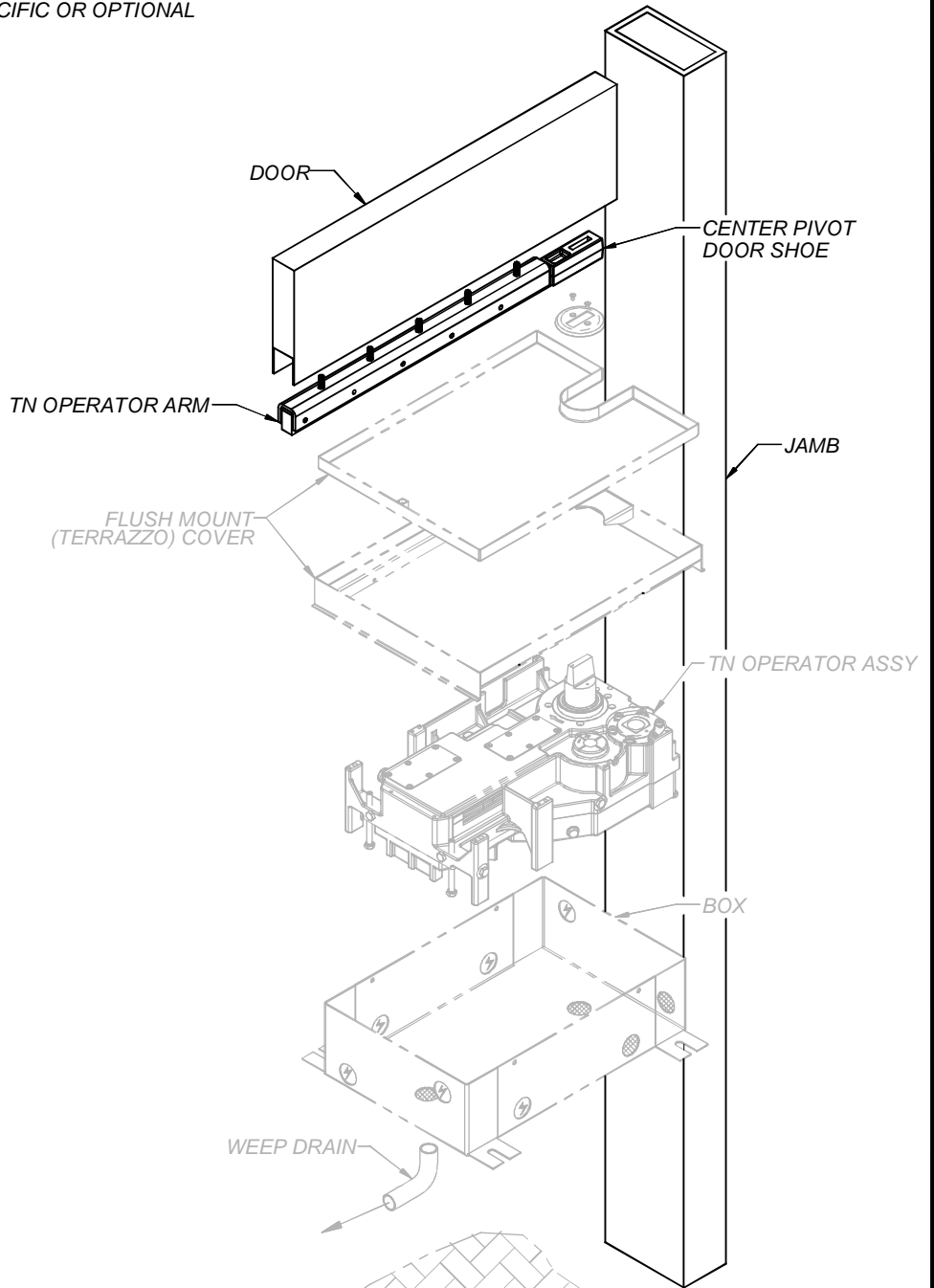
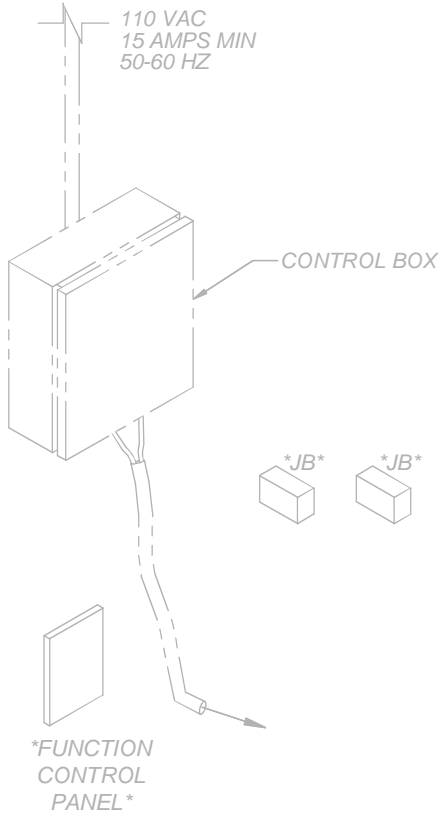
Center Pivot Application – Right Hand Operator w/ Flush Mounted Box

Table of Contents

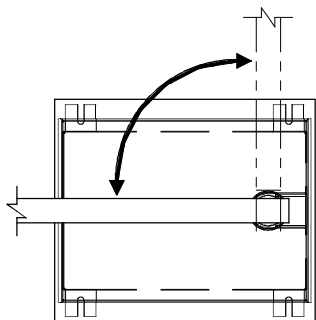
<i>Door Fabrication Details</i>	<i>1-2</i>
<i>Electrical Details</i>	<i>3-5</i>
<i>Masonry/Pit Details</i>	<i>6-7</i>

DOOR FABRICATION DETAILS

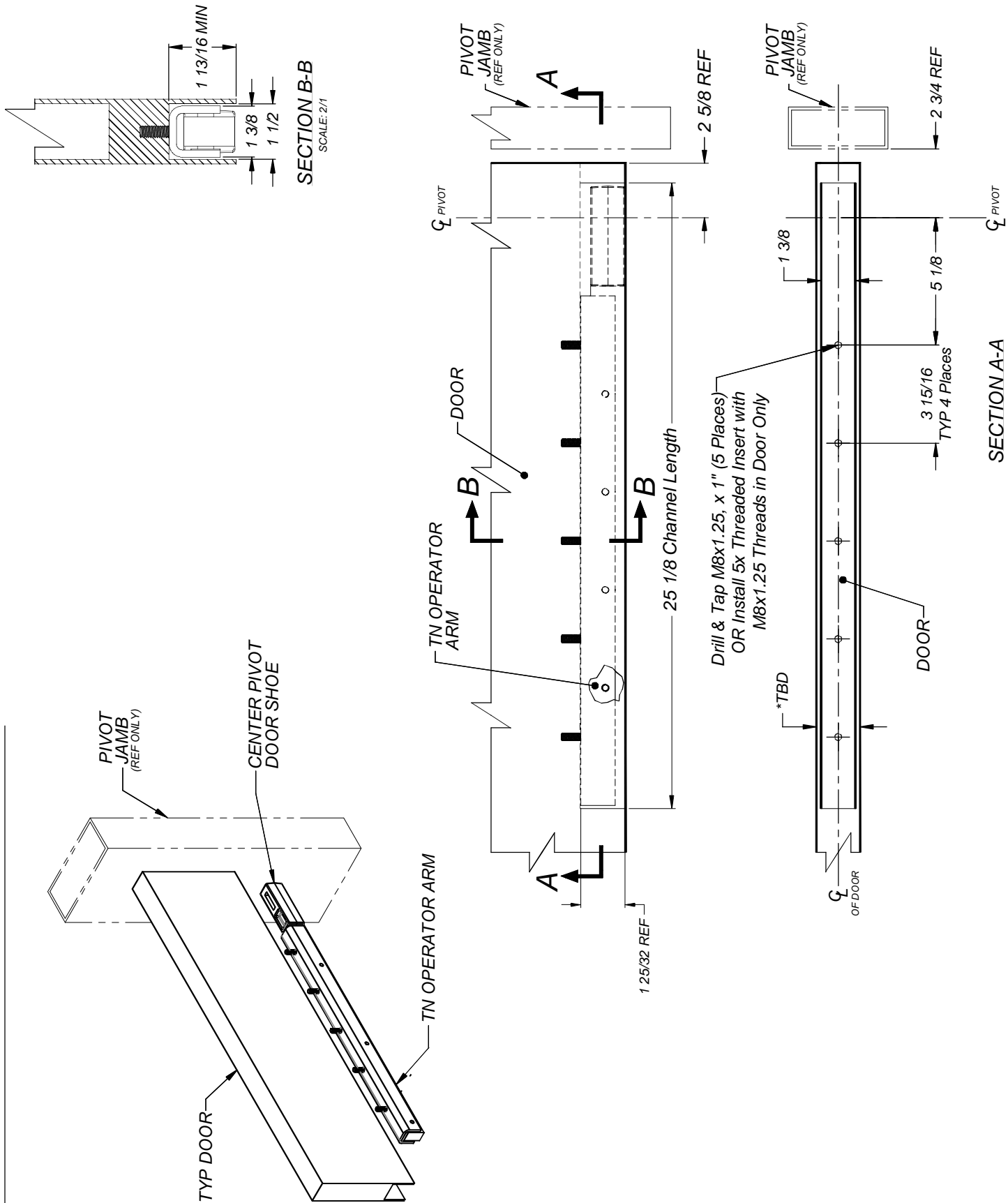
NOTE: " * " - INDICATES COMPONENT IS JOB SPECIFIC OR OPTIONAL



RIGHT HAND CENTER PIVOT

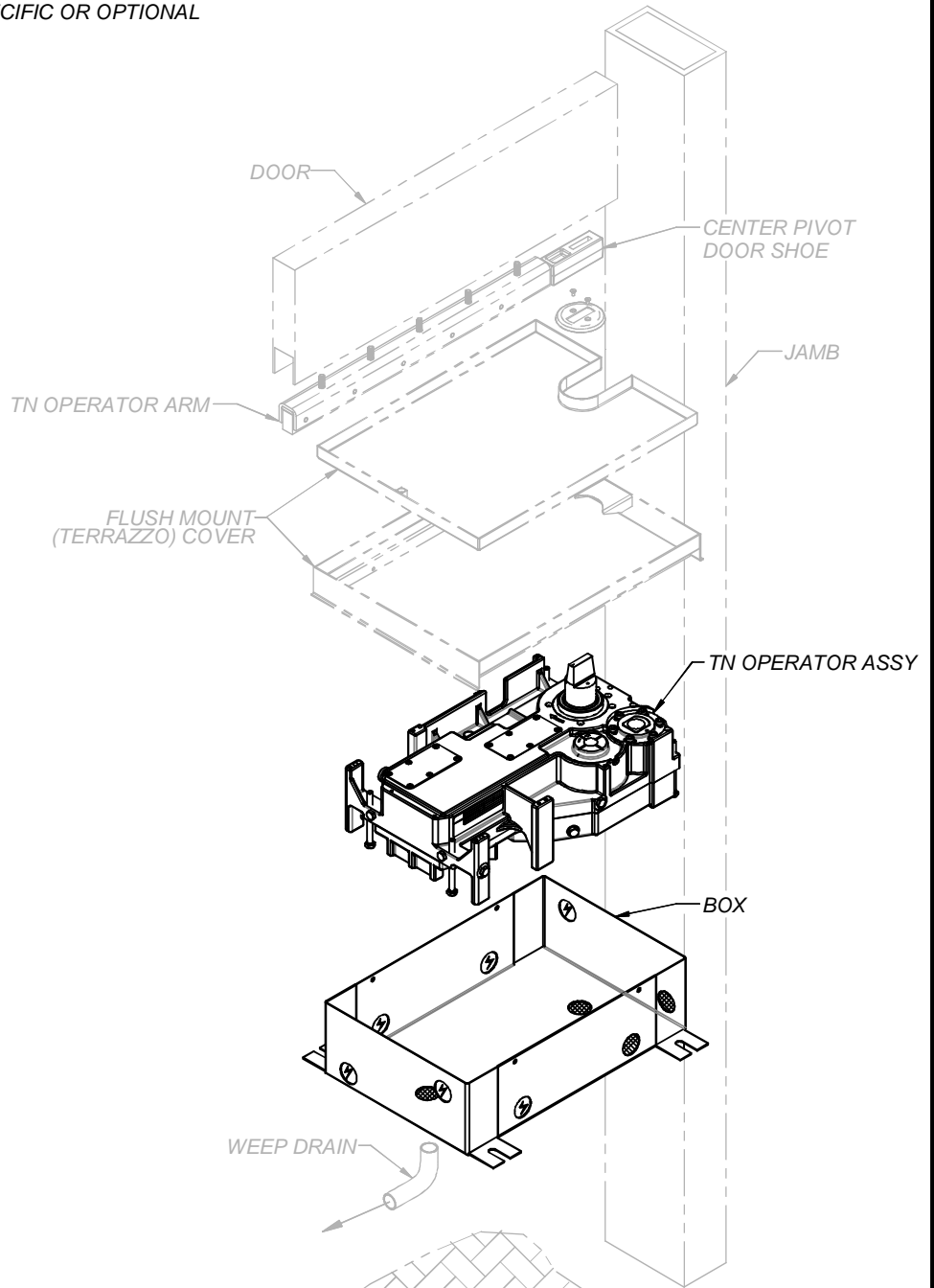
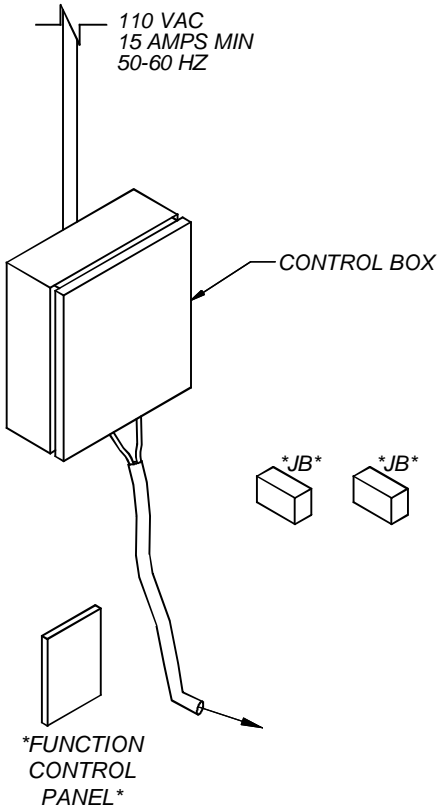


DOOR FABRICATION DETAILS



ELECTRICAL DETAILS

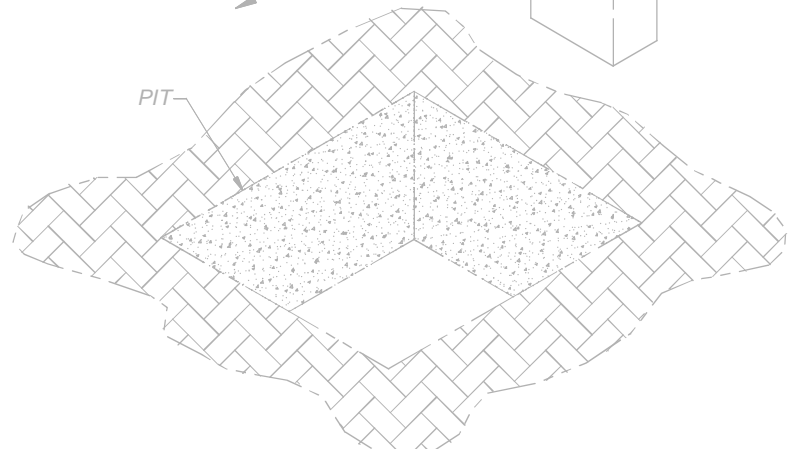
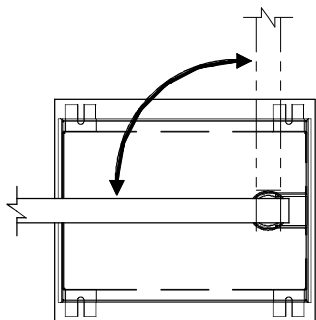
NOTE: " * * *" - INDICATES COMPONENT IS JOB SPECIFIC OR OPTIONAL



ACCESSIBLE HOLE FOR WIRING
*SEE ELECTRICAL DETAILS FOR INTERNAL CLEARANCE

NOT ACCESSIBLE

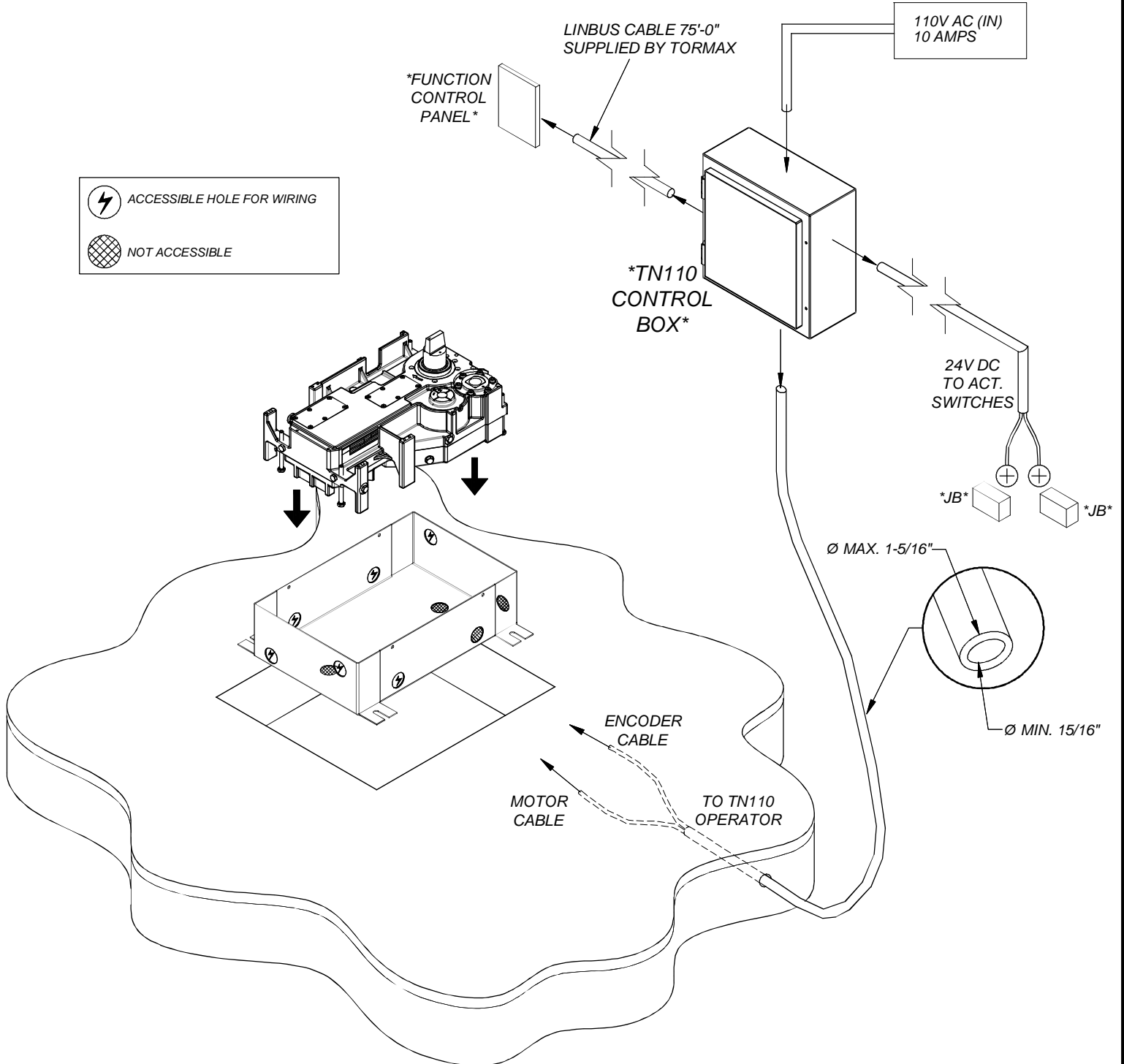
RIGHT HAND CENTER PIVOT



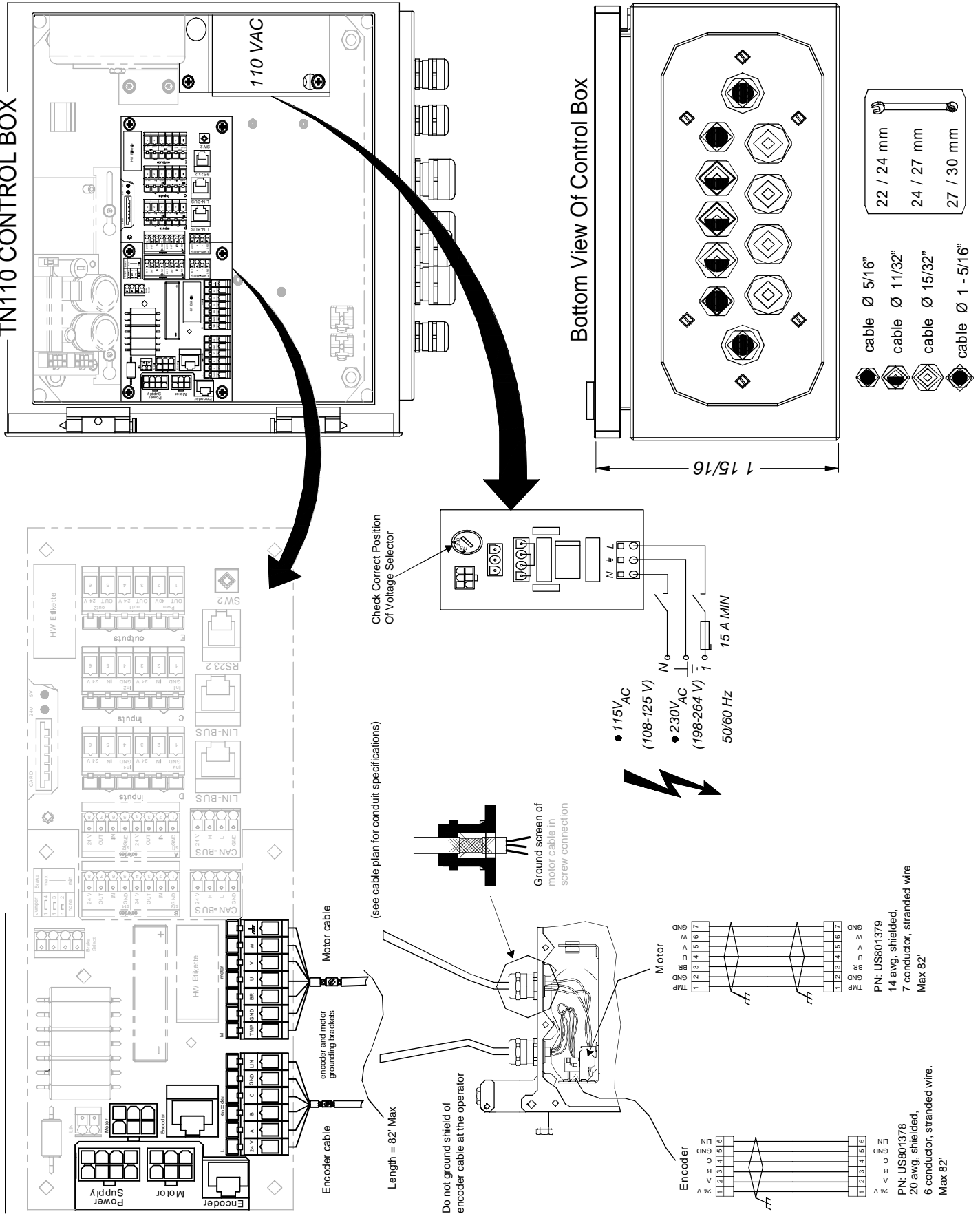
NOTES:

ELECTRICAL DETAILS

- (1) " * *" INDICATES JOB SPECIFIC LOCATION. CONSULT GC FOR FURTHER DETAILS.
- (2) REF NEXT PAGE (ELECTRICAL DETAILS, SHT 3) FOR WIRING DETAILS.
- (3) REF TN110 OPERATION MANUAL (P/N: US801461) FOR ADDITIONAL INFORMATION.
- (4) INSTALLATION AND WIRING PRACTICES MUST COMPLY WITH LOCAL CODES.

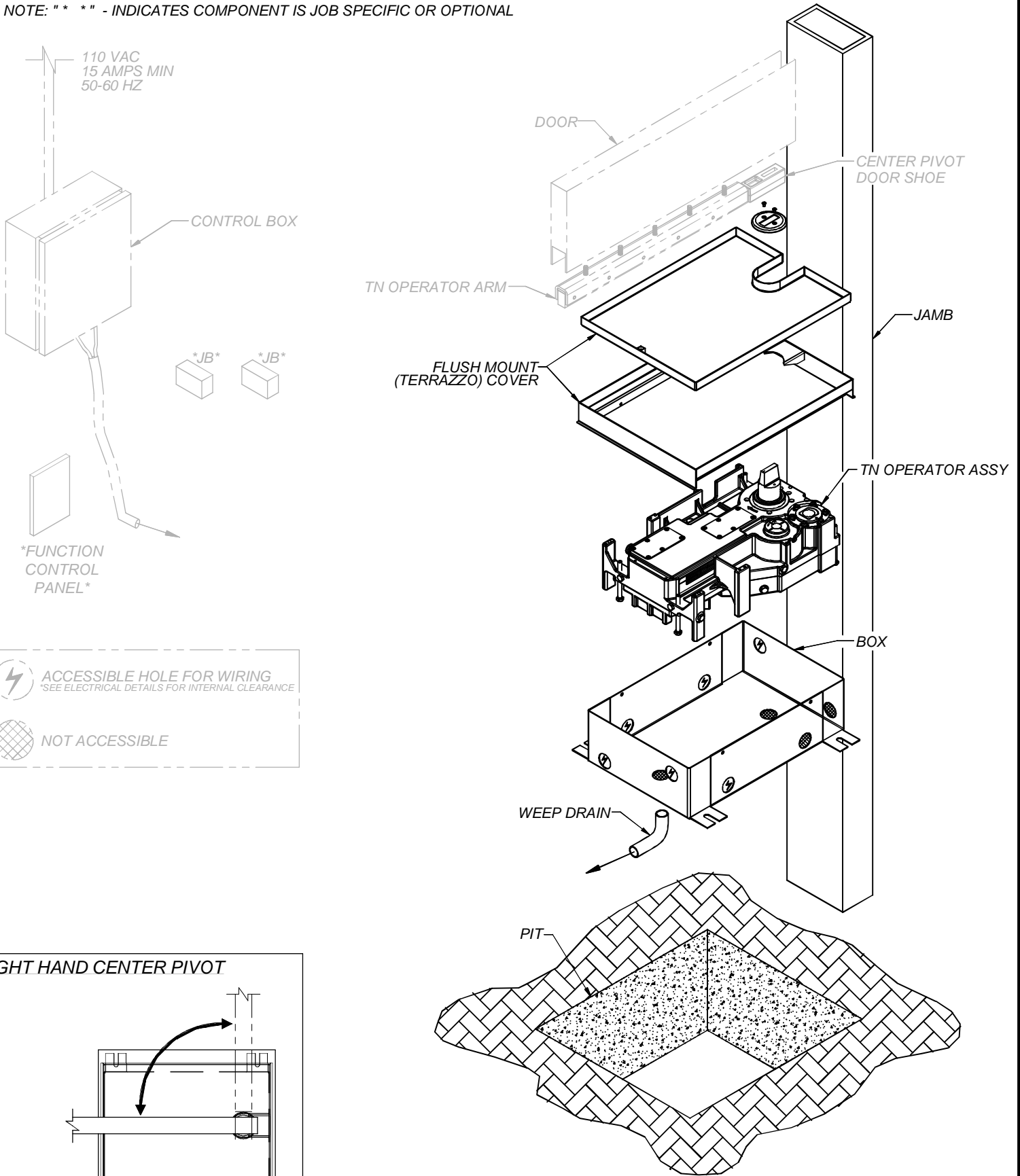


ELECTRICAL DETAILS

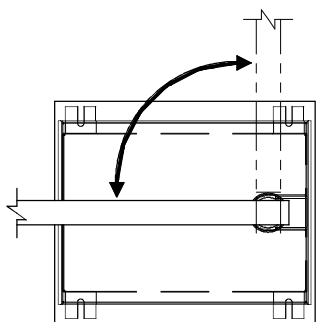


PIT PREP DETAILS

NOTE: "*" * " - INDICATES COMPONENT IS JOB SPECIFIC OR OPTIONAL



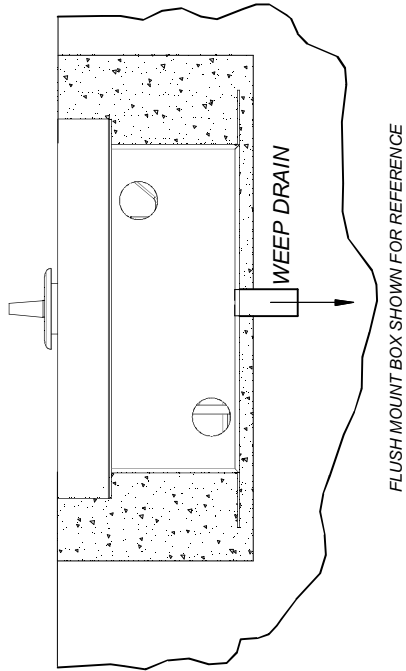
RIGHT HAND CENTER PIVOT



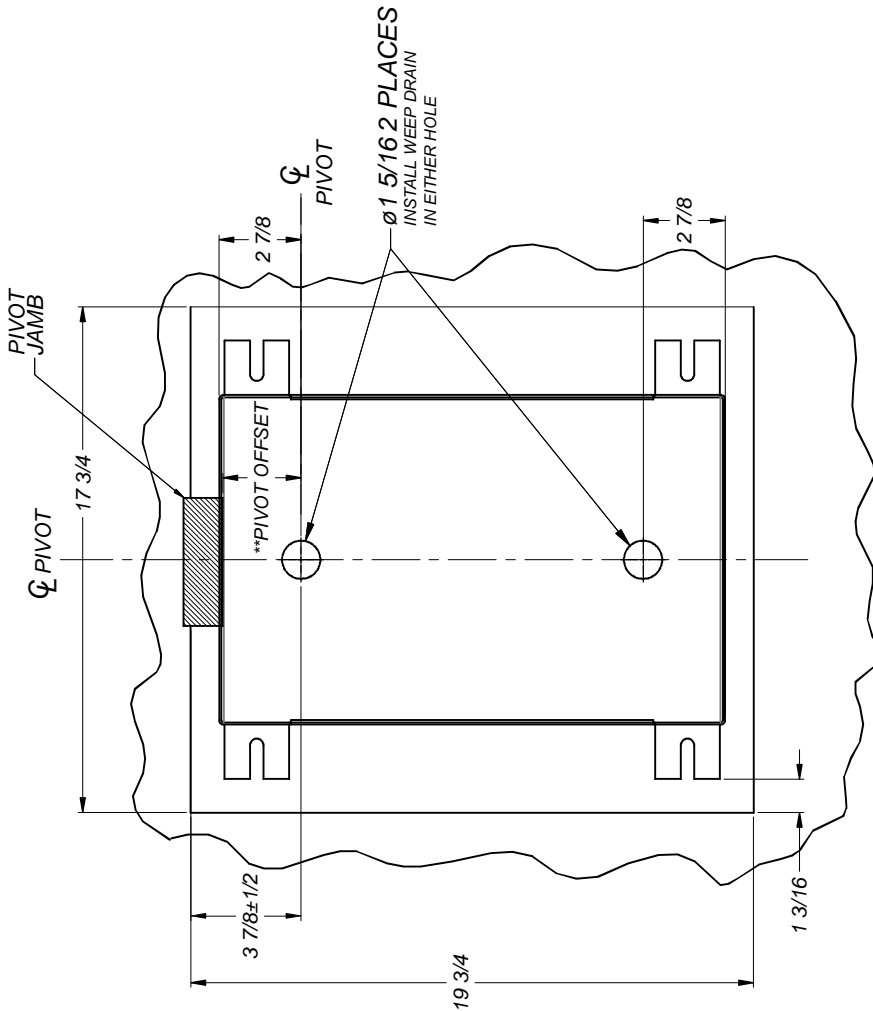
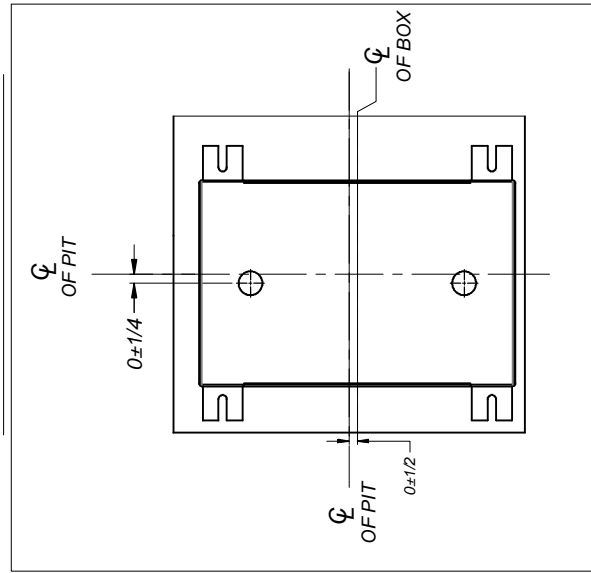
PIT PREP DETAILS

- NOTES:**
- (1) Ensure provisions for weep drain and electrical wiring have been made prior to filling the pit with mortar.
 - (2) Weep drain must be installed or manufacturer's warranty will be void.
 - (3) Weep drain hardware to be provided by GC. Weep drain installation & location of termination must comply with city and/or state codes.
 - (4) ** = Job specific.

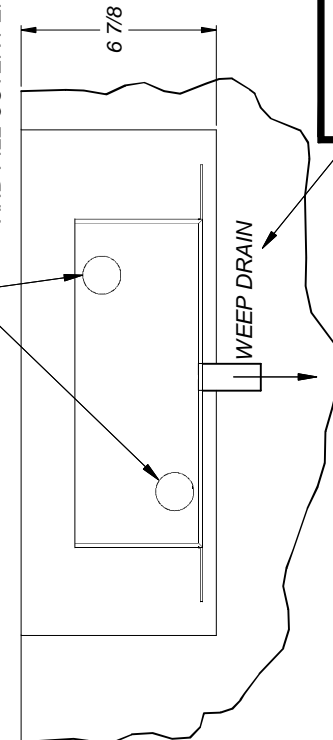
PIT DIMENSIONS:
 19-3/4" L x 17-3/4" W x 6-7/8" D



BOX LOCATION TOLERANCES



COVER ANY UNUSED HOLES AROUND BOX
 AND FILL OUTER PERIMETER WITH MORTAR.



**WEEP DRAIN MUST BE INSTALLED
 OR MANUFACTURER'S WARRANTY
 WILL BE VOID.**