



WORLD LEADER IN FLEXIBLE SPACE MANAGEMENT

ACCORDION DOORS

FOLDING PARTITIONS

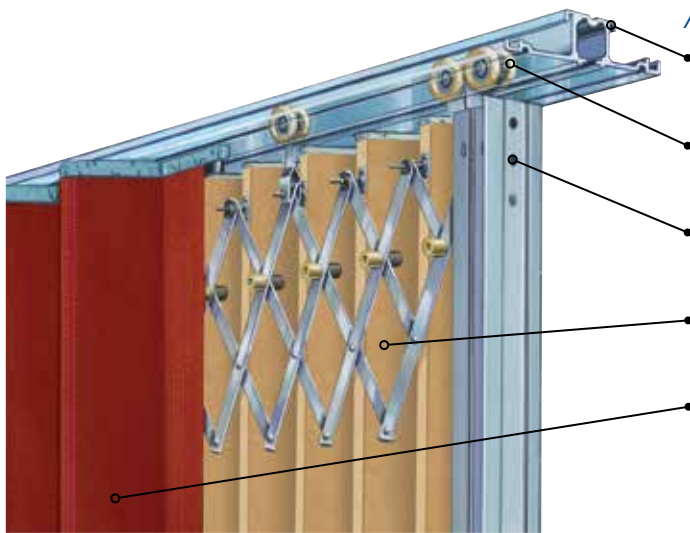


Accordions

FOLDING PARTITIONS



The industry's most attractive, durable accordion door. Accordion doors are the fastest, easiest way to divide space. Simply pull the door across the opening and latch. Accordions are a great choice when you need to divide space frequently. See chart on page 5 for models and sound ratings. The model number also references the acoustical rating (example: model 3100 has a Sound Transmission Class (STC) rating of 31, model 3500 is rated STC 35, etc.).



Acoustical Model Shown

ACCORDION STANDARD FEATURES

- A selection of heavy duty aluminum track systems are available to accommodate various ceiling conditions and provide sufficient support for each door.
- Steel ball bearing trolley with nylon tires supports the door every 18"-21" [457-533] and provides smooth, quiet operation.
- Adjustable lead carrier allows proper alignment of the partition's leading edge for effective latching at all times and enables the door to adjust to out-of-plumb conditions.
- Precision-engineered steel internal pantograph provides years of smooth, easy folding action and allows the door to easily maneuver curves and switches.
- Wrinkle-free, impact resistant, multi-ply, semi-rigid laminated covers provide a smooth, symmetrical appearance not the drapery look provided by other manufacturers. If you decide to change your décor, or, if damage should occur, Hufcor can replace the cover or portions of a cover, rather than replace the entire door.

Hufcor accordion doors may be ordered as single doors or as pairs. Heights are available up to 12' [3.65m] and to 20' [6.1m] in width. Wider openings may be filled with multiple doors that are connected during installation. After they are installed, the doors will look and move as a single unit.

Note: Metric dimensions in [] are in millimeters unless otherwise indicated.

FOR MORE INFORMATION OR TO CREATE YOUR OWN PRELIMINARY DRAWINGS VISIT www.hufcor.com

Accordion

SPECIFICATIONS & OPTIONS

Construction

Hufcor's accordion doors consist of two laminated covers assembled to steel pantographs supported by aluminum covered steel channel posts at each end. Covers are of a semi-rigid laminated construction for wrinkle-free impact resistance.

Non-Acoustical Models 1500 & 2000: Covers have fiberboard strips and backing laminated within each fold. Model 2000 has sweepstrips top and bottom of one side.

Acoustical Models 3100, 3500, 3900, 4100: Similar to the Model 1500, but with the addition of multi-ply sweepstrips top and bottom both sides and the lead post has the Magnaseal® magnetic contact latch. Steel strips are laminated within each fold for models 3500, 3900, 4100. The higher the sound rating, the heavier the gauge of steel used.

Suspension System and Options

Accordion doors are supported by nylon-tired steel ball bearing carriers. The track is clear anodized aluminum. Curves and switches are available to enable the doors to navigate curves and be used or stored in alternate or remote locations. Optional posts enable multiple doors to form intersections and additional spaces. Accordion doors may also be suspended in our Unispan self-support system.

Finishes

The standard finish is factory applied vinyl from Hufcor's standard vinyl selector. Carpet, fabric or pre-approved custom finishes are an optional upgrade.

Acoustics

The acoustical performance of acoustical models shall have been tested at an independent laboratory in accordance with ASTM E90 test standards.

Operation

Partitions are manually operated.

ISO Registration

Hufcor U.S. manufacturing facility's quality system is registered to the ISO 9001 standards.

Warranty

Partitions are guaranteed for two years and the pantographs, trolleys, and tracks are guaranteed for 10 years.

For installations requiring taller heights, work surfaces or greater sound control, consider our extensive line of operable partitions. Contact your Hufcor representative for details.

Note: Metric dimensions in [] are in millimeters unless otherwise indicated.

CURVED TRACKS

Curved tracks are available in type #15, #50 and #71 track. Stock curves: 3'6" [1067] and 5'0" [1524]. Custom curves available. No structural modifications required. Curved installations require extra door fullness.

Formula - Door Width:

Add total of squared corner length.



SWITCHES

Switches allow a partition to be moved to another location, intersect with other accordion doors or be stacked in another area when not in the opening.



STORE YOUR ACCORDION DOOR OUT OF SIGHT

Pocket Width:

- 10" [254] Min. Doors up to 10' [3048] wide
- 11" [279] Min. Doors up to 20' [3048] wide
- 12" [305] Min. Doors up to 30' [3048] wide



POSTS

Optional posts allow two, three or four accordion doors to be latched together to form additional space.

Rolling Posts (Shown on page 5)

Enables door to open from both ends. Door not permanently attached to wall. Can be used to connect multiple doors for longer openings



CHOOSE HUF COR AND CHOOSE PARTITIONS THAT ARE KNOWN WORLDWIDE FOR INNOVATION AND QUALITY.

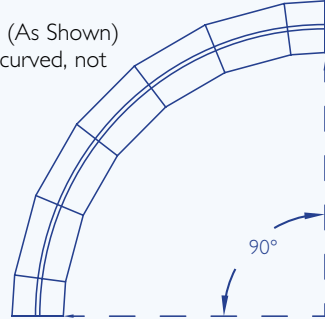
S Curves

Std. 10" [254] offset available in #15, #50 and #71 track only. Custom curves also available.



Radius Curve

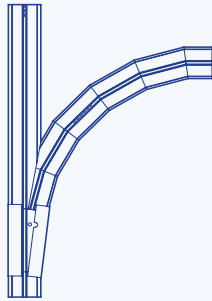
Type #15 track is segmented (As Shown) Types #50 & #71 tracks are curved, not segmented.



Formula - Door Width:
Add total of squared corner length.

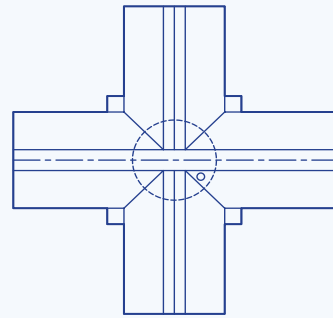
Glide Switch

Glide Switch moves partition from straight onto curved track, permits partition to be used in an alternate track at right angles to the main run or to stack parallel along the wall.



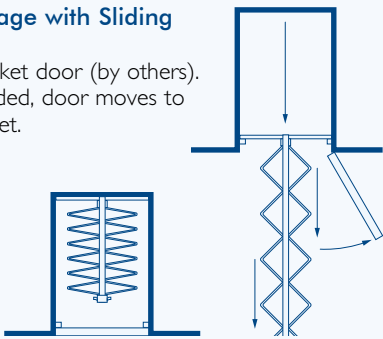
Crossover Switch

Crossover Switch permits partitions to pass through intersections.



Pocket Storage with Sliding Jamb

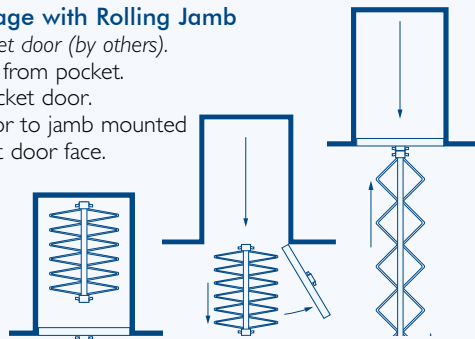
Optional pocket door (by others). When extended, door moves to front of pocket.



Pocket Storage with Rolling Jamb

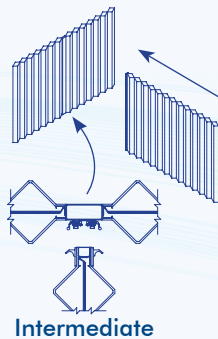
Optional pocket door (by others).

- Pull door from pocket.
- Close pocket door.
- Latch door to jamb mounted on pocket door face.



Intermediate Posts

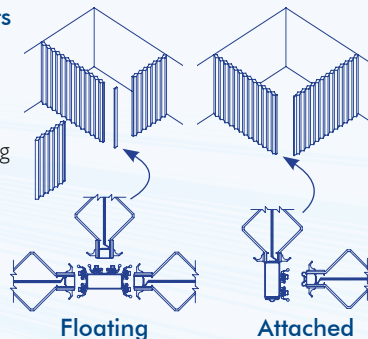
Intermediate Posts are for latching one door to another at an intermediate location. Available one or both sides.



Intermediate

Multiple Meeting Posts

Multiple Meeting Posts allow more than one door to latch together and are available in two, three or four-way meeting arrangements. Available in either "floating" or "attached" type post.



Floating

Attached

Details and editable specifications can be downloaded from Hufcor's website, www.hufcor.com. Complete specifications and details may also be found in our Architectural Product Manual.

Accordion PRODUCT GUIDE & OPTIONS

ACCORDION STACK SIZES & WEIGHTS

Model	STC ¹ Rating	Lbs./Sq.Ft. [Kg./Sq.M]	Stack Dimensions ²
1500	15 (est.)	1.3 [6.3]	1.4"/ft. + 2" [117 + 51]
2000	20 (est.)	1.3 [6.3]	1.4"/ft. + 2" [117 + 51]
3100	31	2.7 [13.2]	1.4"/ft. + 3" [117 + 76]
3500	35	3.0 [14.6]	1.4"/ft. + 3" [117 + 76]
3900	39	3.7 [18.1]	1.4"/ft. + 3" [117 + 76]
4100	41	4.3 [21]	1.4"/ft. + 3" [117 + 76]

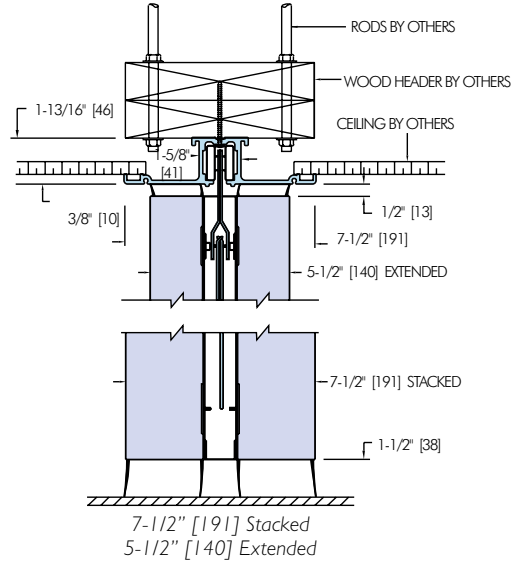
¹ Sound Transmission Class.

² Add 30% to stack dimension for carpet.
Single Door Maximum Width 20'0" [6.1m]. Maximum Height 12'0" [3.65m]
For sizes in excess of these contact your Hufcor distributor.

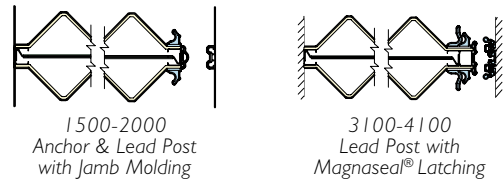
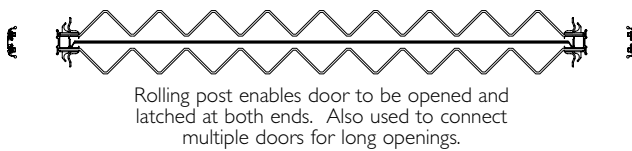
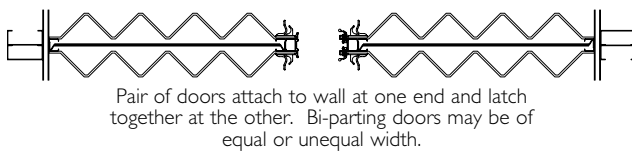
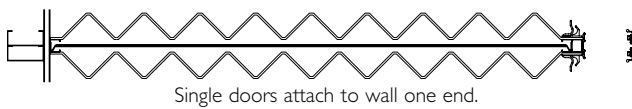
ACCORDION SECTIONS

MODELS 1500-4100

- Model 1500 has no sweep strips
- Model 2000 has top and bottom sweep strips, one side
- Models 3100 - 4100 have sweep strips top and bottom, both sides

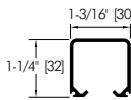


TYPICAL JAMB CONFIGURATIONS

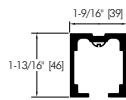


ACCORDION TRACK SYSTEMS

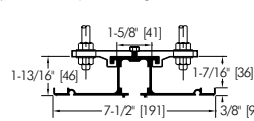
TYPE 50
Heavy-Duty Extruded Aluminum,
Recessed or Exposed



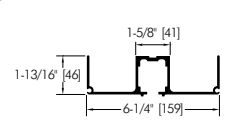
TYPE 71
Heavy-Duty Extruded Aluminum,
Recessed Only



TYPE 15
Heavy-Duty Extruded Aluminum with Built-in
"Ceiling Saver" May be direct attached or
suspended from hanger rods
(shown with optional hanger bracket and rods)



TYPE 18
Heavy-Duty Extruded Aluminum
with Built-in "Ceiling Saver"

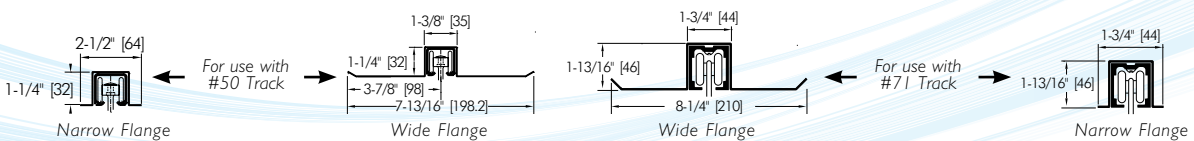


Track Types	Type 50	Type 71	Type 15	Type 18
Models 1500 -2000	Widths to 20'0" or heights to 10'0" [6.09m x 3.04m]**	Optional All Sizes	Optional All Sizes	Optional All Sizes
Models 3100, 3500, 3900	Widths to 20'0" or heights to 10'0" [6.09m x 3.04m]**	Optional All Sizes	Optional All Sizes	Optional All Sizes
Models 4100	Not Available	Optional All Sizes	Optional All Sizes	Optional All Sizes

**If size exceeds either dimension shown, use alternate track.

CHANNELS

Channel is only available on the type 50 & 71 tracks. Channel provides smooth, straight ceiling lines; aids track installation. Flanges on both sides protect ceiling. Primed off-white. Recommended for recessed installations.



FOR MORE INFORMATION OR TO CREATE YOUR OWN PRELIMINARY DRAWINGS VISIT www.hufcor.com

Choose Hufcor

AND CHOOSE PARTITIONS THAT ARE KNOWN WORLDWIDE FOR QUALITY AND VALUE.



OPERABLE



SLIDING GLASS DOORS



VERTICAL LIFT



UNISPAN (OVERHEAD SUPPORT)

Partitions must control sound. We test our products in our sound laboratory to make certain they meet or exceed our published acoustical ratings. The laboratory is certified by the National Voluntary Laboratory Accreditation Program (NVLAP) and, like our ISO certification, we undergo regular inspection to make certain we adhere to their strict regulations. And, although it isn't required of us, we also hire an independent consultant to witness and verify any test results.

Worldwide Availability. US owned and operated with Worldwide Distribution. Hufcor is the world's leading manufacturer of operable partitions. Products are manufactured at our headquarters in Janesville, WI USA and available from local distributors throughout the country. Outside the USA, products are manufactured in select locations throughout the world and may be obtained through authorized distributors worldwide. Visit [www.hufcor.com/Find Your Distributor](http://www.hufcor.com/FindYourDistributor) for the Hufcor representative serving your area.

Renovation and Repair. Not only do we provide new products, we also offer retrofit service for Hufcor products and those manufactured by others. Contact your local Hufcor representative for a free analysis of your needs.

Leasing Program. You may wish to consider the option of buying partitions through a lease program. Check with your accountant to see if leasing vs. a lump sum payment will provide you with financial benefits.

Hufcor Custom Delivery. If you need to pinpoint the delivery date and time (which is often critical for renovation projects), we can do it. In the U.S., our fleet of vans can deliver your order on time and without damage that can occur when shipping by other methods.

innovation
YOU GET MORE WITH HUFCOR



World Leader in Flexible Space Management™

WORLDWIDE HEADQUARTERS

PO Box 5591 / 2101 Kennedy Road, Janesville, WI 53547

Toll-Free: 800-542-2371, ext. 214 Telephone: 608-756-1241

Fax: 608-758-8253 E-mail: info@hufcor.com

www.hufcor.com

The Hufcor Commitment to Green Manufacturing, Sustainability and LEED™. Hufcor is committed to being an industry leader when it comes to protecting the environment by reducing pollutants and minimizing our environmental impact on air, water and land. For over a decade Hufcor has utilized a "Green" approach to manufacturing and energy consumption and has increased the percentage of materials that we recycle, reuse, repair, restock or return for salvage. Today, the Hufcor commitment and progress toward Green manufacturing is greater than ever as we continue to develop standards that support various LEED™ (Leadership in Energy and Environmental Design) points to assist the achievement of LEED certification goals.

IT'S ALL IN THE BOOK

More details on all Hufcor products are available in the Architectural Product Manual. Call your local rep today to receive a complimentary copy.

Or visit www.hufcor.com to sign-up for the interactive digital version.



see us at
Sweets.com

Hufcor has a program of continuous product improvement. As a result, some products may be modified from those represented in this catalog.

Hufcor Partition U.S. Patents:			
2,861,660	3,056,193	3,223,147	3,295,257
3,295,588	3,450,185	3,638,376	3,755,968
3,783,930	3,879,799	3,042,960	4,014,137
5,181,296	5,230,123	5,406,676	5,481,834
5,564,759	6,112,466	6,167,937	8,468,751



The quality systems of Hufcor's U.S. manufacturing facility is registered to the ISO 9001 standards.



*USGBC and related logo is a trademark owned by the U.S. Green Building Council and is used by permission.



Hufcor offers continuing education programs for AIA members. Contact your Hufcor representative for details.