



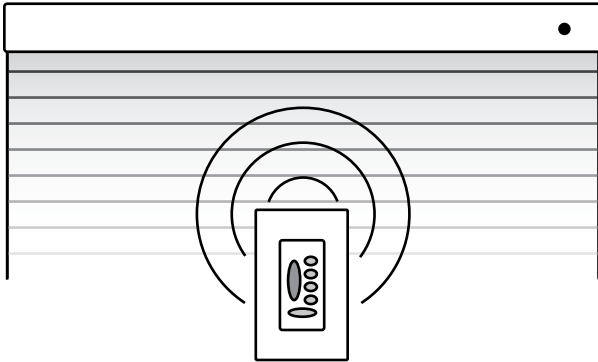
Auto-Lift Wireless Wall Switch Guide

For Parasol Cellular Shades and Tenera Sheer Shadings

Control Like Never Before

This guide shows you how to set up and operate Momena motorized products using the wireless wall switch. The wireless wall switch uses radio control for normal operation, but uses an infrared (IR) signal for some setup tasks.

Method of Operation



Radio Control

- No aiming necessary (like a garage-door opener)
- Control window coverings individually or in groups

Contents

Getting Started	2
Sensor Eye Locations	3
Radio Control	3
Installation	5
Intermediate Stops	6
Express Mode	6
Parasol Cellular Shades	7
Tenera Sheer Shadings	8
Setting Top and Bottom Limits	8
Troubleshooting	9
Technical Information	11

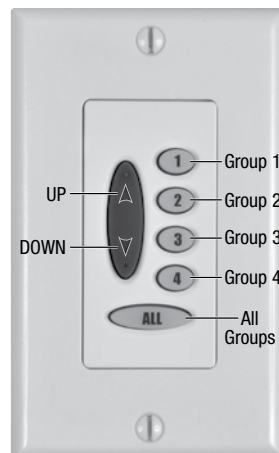
Getting Started

Install batteries (2 x "AAA") in the Momena wireless wall switch.

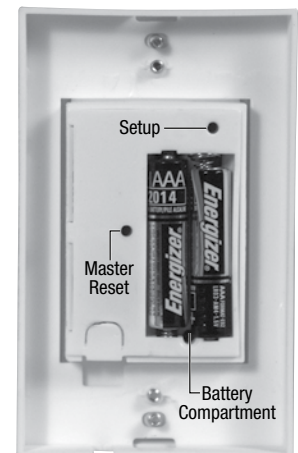


Wireless Wall Switch

Front



Back

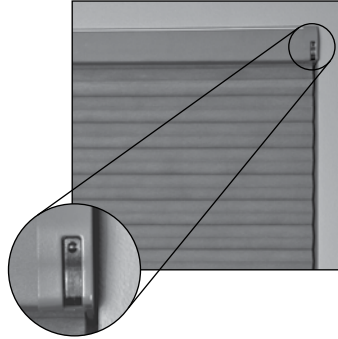


Sensor Eye Location

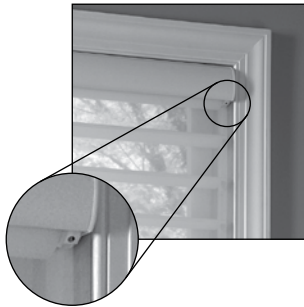


Sensor eyes can be found in the following locations (depending on product and installation options chosen):

In the Headrail



Below the Headrail



NOTE: The manual control button, used for operating a window covering without a wireless wall switch, is usually adjacent to the sensor eye.

Radio Control

Introduction

Radio control gives you the ability to operate individual window coverings or multiple window coverings at the same time, even if they are in another room.



Group Assignment

To use the wireless wall switch, each window covering must first be assigned to a group. (A window covering can be a member of more than one group.)

NOTE: If your wall switch has already been set up, skip to “[Basic Operation](#)”.

There are four unique assignable groups to use. A group can be a single window covering or multiple window coverings.

Before beginning, think about how you will group your window coverings. For example, you might create a group for all window coverings in a single room or a group for all window coverings on one wall.

Note: It is recommended that only similar window coverings be included in a group (e.g., Cellular Shades assigned to Group 1 and Sheer Shadings assigned to Group 2) because of differences in product features and operation.

Radio Control

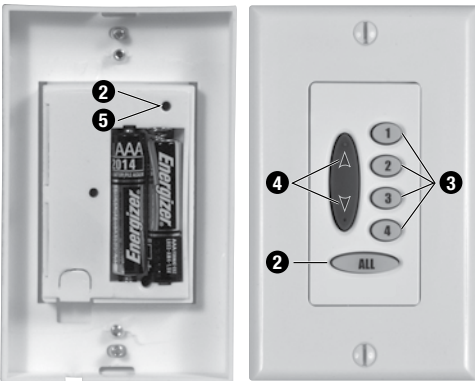
Group Addition or Removal

Before you begin, operate the window covering using infrared control to make sure that you are communicating with only one window covering and that the window covering is working properly.



TIP: Move the wireless wall switch as close as possible (2" to 3") to the sensor eye when assigning groups.

1. Remove the back cover of the wireless wall switch.
2. With a paperclip, press and release the recessed SETUP button on the back of the switch. The ALL button on the front of the switch flashes green for approximately 30 seconds.



3. While the ALL button is flashing green, press the group button for the group to which you plan to assign the window covering.
4. Point the top of the wall switch at the sensor eye of the window covering and press the UP ▲ button to add the window covering to the group or the DOWN ▼ button to remove the window covering from the group. The window covering moves slightly (or “jogs”) to indicate that it has been added to or removed from the group.

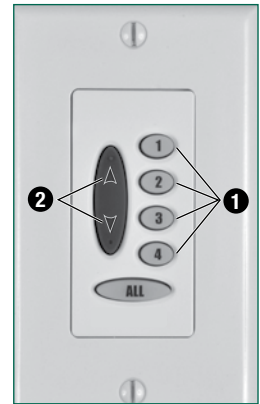


5. Exit setup mode by pressing and releasing the SETUP button a second time. The wall switch saves any changes made and the ALL button stops flashing.
6. Replace the wall switch in its mounting place.

Basic Operation

Operating your window coverings using the wireless wall switch allows you to control multiple window coverings at the same time from a central location.

1. Press the group button assigned to the window coverings.
2. Press the UP ▲ button to open the window covering or the DOWN ▼ button to close the window covering.



Operation Notes

- If you do not press a group button, the wall switch defaults to controlling the last group chosen.
- The wall switch can control multiple groups at the same time by pressing multiple group buttons before pressing UP ▲ or DOWN ▼.
- To stop a window covering while it is moving, press the assigned group button, then press the opposite UP ▲ or DOWN ▼ button.
- To operate all window coverings assigned to the wall switch, press the ALL button before pressing UP ▲ or DOWN ▼.
- Operational distances using radio control may vary depending on common household construction differences.

Product-Specific Operation

For more information about the operation of your honeycomb shades and window shadings, see the appropriate product section.

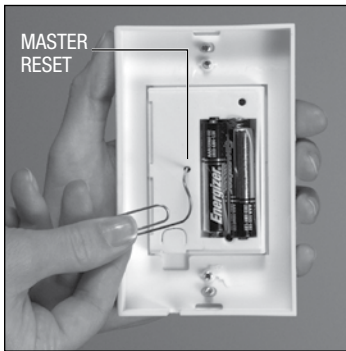
Duplicate Remote Control

Setting Up a Duplicate Wall Switch

If you want a backup for your primary wireless wall switch or remote, you can quickly duplicate the current transmitter. When this procedure is complete, any change made with any of the transmitters also affects the operation of the other wireless wall switches and remotes. Follow this procedure:



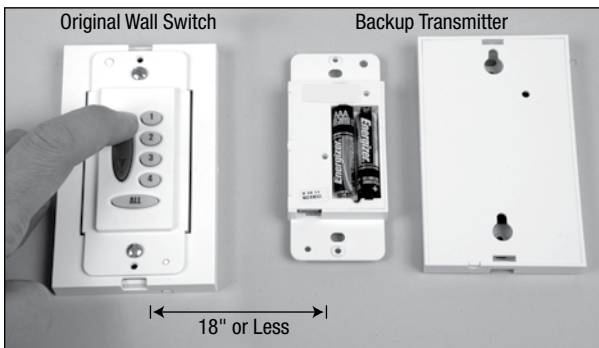
1. Mark the original transmitter.
2. Remove the back cover from the backup wall switch.



press and hold the recessed MASTER RESET button on the backup wall switch for approximately 10 seconds. All of the group buttons on the front of the wall switch starts flashing green.

4. Place the marked

remote) within 18" of the backup wall switch and press the UP Δ button on the marked original. The group buttons on the backup wall switch stop flashing.



5. Replace the battery cover on the backup wall switch. It is now ready for use.

Installation

The wireless wall switch can be installed either as a surface mount or a flush mount.



Surface Mount



Flush Mount

Installing the Wireless Wall Switch as a Surface Mount

1. Remove the back cover from the switch.
2. Use the mounting screws supplied with the switch to secure the back cover to the wall.
3. Place the switch assembly over the back cover, top first.
4. Press the bottom edge of the switch assembly over the bottom of the back cover until the bottom locking tab is secure.
5. Install the faceplate over the switch assembly.

Installing the Wireless Wall Switch as a Flush Mount

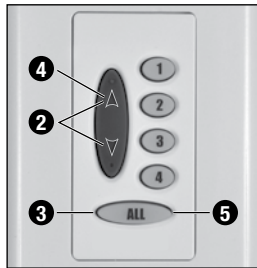
The wireless wall switch fits standard electrical mounting boxes. Use a low voltage electrical retrofit ring or electrical junction box for installation. Check local electrical codes for proper installation.

Intermediate Stops

Setting Intermediate Stops

An intermediate stop allows a window covering to be preset so that it will stop at the same “intermediate” position each time it is opened or closed.

1. Remove the wall switch from its mounting place.
2. Open and close the window covering fully, then move it to the desired intermediate position.
3. Press and hold the ALL button for 6 seconds. The ALL button starts flashing green.
4. Point the top of the switch at the sensor eye and press the UP ▲ button to set the intermediate stop. The window covering moves slightly (or “jogs”) intermediate stop has been added.
5. Press the ALL button to save the intermediate stop. The ALL button stops flashing.
6. Return the wall switch to its mounting place.



NOTE: One intermediate stop can be set for each window covering. If you set a new intermediate stop, it replaces the previous stop.

NOTE: Reset the window covering to clear an intermediate stop. See ["Resetting a Window Covering"](#).

Why Set an Intermediate Stop?

Intermediate stops can be used to align opening height to mullions or other architectural features of the window. They can also be used to align the opening height of different window coverings in the same room. In addition, with window shadings, intermediate stops can be used to achieve a specific degree of vane tilt every time the vanes are operated.

Express Mode

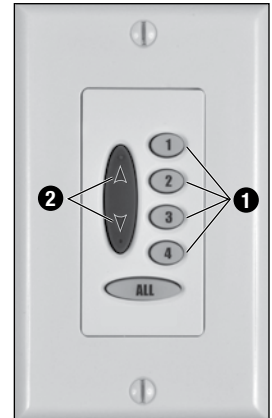
Express Mode

When the window covering is in any position, you can open or close it fully (bypassing the intermediate stop) as follows:

1. Press the appropriate group button.
2. Press and hold the UP ▲ or DOWN ▼ button for 2 seconds. The window covering opens or closes fully.

NOTE: With window shadings, in addition to bypassing the intermediate stop, the express mode also bypasses the shading's “transition point.” The transition point is where the shading is fully lowered with the vanes fully closed. Normally, the shading stops automatically at this position; but with express mode, when the shading is lowered, the vanes open all the way before the motor stops.

The express mode can be used to bypass the shading's transition point even if no intermediate stop has been set.



Parasol Shades

Radio Control Operation

See “Basic Operation” for information about using the wall switch to operate a window covering.



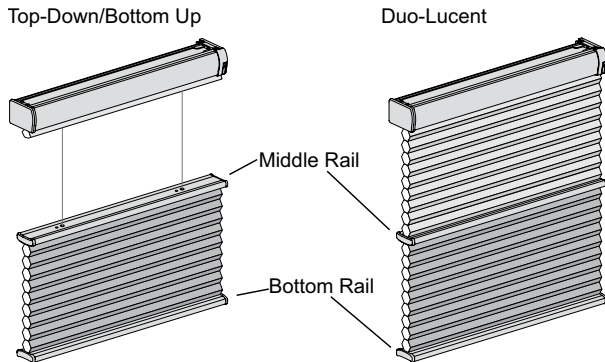
Top-Down Shades

For shades with the Top-Down design option, only the middle rail moves and the wall switch operation is reversed (e.g., to open a shade, press the DOWN ▾ button on the switch). Setup procedures are the same as for standard shades.

Top-Down/Bottom Up and Duo-Lucent Shades

Shades with the Bottom-Up/Top-Down and Day/Night design options have two moving rails; see the drawings below.

NOTE: The bottom rail must be in the fully lowered position to operate the middle rail. The middle rail must be in the fully raised position to operate the bottom rail.



Lower the Bottom Rail

1. With the middle rail fully raised, press the group button assigned to the shade.
2. Press the DOWN ▾ button to lower the bottom rail and cover the window.

Lower the Middle Rail

1. With the bottom rail fully lowered, press the group button assigned to the shade.
2. Press the DOWN ▾ button to lower the middle rail while the bottom rail remains in the fully lowered position.

NOTE: On a Top-Down/Bottom-Up shade, the shade will uncover the window. On a Duo-Lucent shade, the top fabric panel will cover the window.

Raise the Middle Rail

1. With the bottom rail fully lowered, press the group button assigned to the shade.
2. Press the UP ▲ button to raise the middle rail while the bottom rail remains in the fully lowered position.

NOTE: On a Top-Down/Bottom-Up shade, the shade will cover the window. On a Duo-Lucent shade, the bottom fabric panel will cover the window.

Raise the Bottom Rail

1. With the middle rail fully raised, press the group button assigned to the shade.
2. Press the UP ▲ button to raise the bottom rail and uncover the window.

Tenera Sheer Shadings

Radio Control Operation

See “Basic Operation” for information about using the wall switch to operate a window covering.



Opening Vanes

1. When the shading is in the fully lowered position with the vanes closed, press and release the assigned group button.
2. Press and release the DOWN ▾ button. The shading remains lowered while the vanes open to allow more light.

Closing Vanes

1. When the shading is in the fully lowered position with the vanes open, press and release the assigned group button.
2. Press and release the UP ▲ button. The shading remains lowered while the vanes close for increased privacy.

Adjusting Vanes

1. Press the assigned group button.
2. Press the UP ▲ or DOWN ▾ button to start adjusting the vanes.
3. Press the opposite UP ▲ or DOWN ▾ button to stop the vanes in the desired position.

NOTE: Vane alignment between shadings may not be exact.

Setting Top and Bottom Limits

Parasol Cellular Shades and Tenera Sheer Shadings

Due to the characteristic of the hardware, Tenera Sheer Shadings and Parasol Cellular Shades will define both the top and bottom limits automatic by itself.

Troubleshooting

Problem	The shade operates using the manual control button, but does not operate using wall switch.
Solution	<ol style="list-style-type: none"> 1. Make sure a group button illuminates when you try to operate the window covering. <ul style="list-style-type: none"> ➤ If the group button does not illuminate when you press a button, replace the batteries in your wall switch. 2. Operate the window covering using its manual control button. If the window covering doesn't operate, make sure it has power: <p>NOTE: The manual control button is usually next to the sensor eye of the window covering.</p> <ul style="list-style-type: none"> ➤ If the window covering is battery-powered, replace the batteries in the battery wand or satellite battery pack. 3. If the batteries in the wall switch are good and the window covering works when you use the manual control button, do one of the following: <ul style="list-style-type: none"> ➤ If the LED on the selected group button is steady green when you press the UP ▲ or DOWN ▼ button, go to "Window covering does not operate" on page 9. ➤ If the ALL button is flashing green, you are in setup mode. Wait 30 seconds or use a paperclip to press and release the SETUP button to exit setup mode.

Problem	The shade does not operate using either the wall switch or the manual control button.
Solution	<p>Make sure you have added the window covering to a group. For more information, see "Group Assignment".</p> <p>Make sure you have pressed the group button for the group to which the window covering has been assigned. If you need to add a window covering to a group, see "Group Addition or Removal".</p> <p>NOTE: Due to differences in household construction, radio control operation may vary within a home. Try operating the window covering from different locations.</p>
Problem	The window covering operates unexpectedly.
Solution	<p>Make sure you have chosen the correct group to operate. If you need to remove a window covering from a group, see "Group Addition or Removal".</p> <p>If you are not pressing the UP ▲ or DOWN ▼ button when the window covering is operating, make sure no one else is using a backup wall switch or remote to control the window covering.</p>
Problem	The window covering does not open or close fully or has an intermediate stop that is no longer wanted.
Solution	<p>Make sure the operation of the window covering is not obstructed.</p> <p>Reset the window covering as described in "Resetting a Window Covering".</p>

Troubleshooting

Problem	One shade does not consistently respond to the "Group" or "All" command.
Solution	<p>Press the OPEN ▲ or CLOSE ▼ button a little longer when operating shades. It can take longer for the signal to reach one of the shades.</p> <p>Use the remote at different areas of the room (home). There could be dead spots or interference. Try operating the remote closer or farther from the shade.</p> <p>Check to be sure the batteries in the shade and the remote are new and are installed correctly. When the batteries get old, the remote transmits a weaker signal.</p>
Problem	The shade operation is slow.
Solution	<p>If using the battery wand or satellite battery pack, remove the battery wand and replace the batteries.</p> <p>If using the DC power supply, check that the shade is not obstructed or pinched in bracket or cassette.</p>
Problem	If you cannot resolve your problem with the guidelines:
Solution	Check the Installation instructions for the window covering.

Resetting a Window Covering

To clear all stops and reset the window covering:

1. Press and hold the manual control button for 6 seconds. The window covering moves slightly (or "jogs") to indicate that it has been reset to factory defaults.
2. Close the window covering completely (this sets the DOWN motor limit).
3. Open the window covering completely (this sets the UP motor limit).

The intermediate stop position is now cleared and the motor limits are now reset.

Alternative Resetting a Window Covering

1. Open the Window Covering completely.
2. Aim the remote at the sensor eye on the Window Covering.
3. Press and hold the OPEN ▲ button for 6 seconds. The shading moves slightly (or "jogs") to indicate that all stops are now cleared.
4. Close the Window Covering completely (this sets the CLOSED motor limit – except to a Roller Shade. See "[Setting Top and Bottom Limits](#)" for more detail).
5. Open the Window Covering completely (this sets the OPEN motor limit).

The intermediate stop position is now cleared and the motor limits are now reset.

Radio Frequency FCC Compliance

This device complies with Part 15 of the FCC Rules. Operation is subject to the following two conditions: (1) this device may not cause harmful interference, and (2) this device must accept any interference received, including interference that may cause undesired operation.

This equipment has been tested and found to comply with the limits for Class B Digital Device, pursuant to Part 15 of the FCC Rules. These limits are designed to provide reasonable protection against harmful interference in a residential installation. This equipment generates and can radiate radio frequency energy and, if not installed and used in accordance with the instructions, may cause harmful interference to radio communications. However, there is no guarantee that interference will not occur in a particular installation. If this equipment does cause harmful interference to radio or television reception, which can be determined by turning the equipment off and on, the user is encouraged to try to correct the interference by one or more of the following measures.

- Reorient or relocate the receiving antenna.
- Increase the separation between the equipment and receiver.
- Connect the equipment into an outlet on a circuit different from that to which the receiver is connected.
- Consult the dealer or an experienced radio/TV technician for help.

Any changes or modifications not expressly approved by the party responsible for compliance could void the user's authority to operate the equipment.

