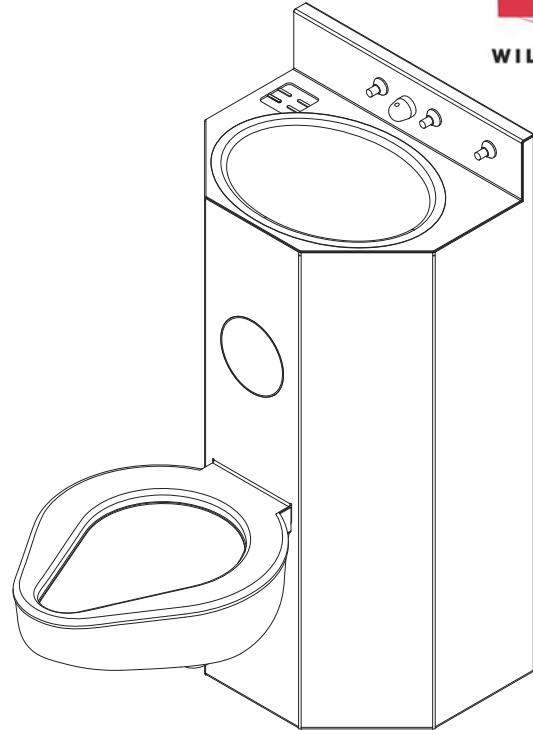


## 1846 Series 18" Wide Combination Units



*(Unit may be shown with optional features)*

To specify fixture and accessories, use the Model Number and Options page.

Example: To specify a wall outlet 18" combination unit with centered toilet, on floor, standard penal filler/bubbler, 1.6 GPF, dual temp. pneumatic metering valve, standard push buttons, lav. elbow waste, lav. fast drain, toilet waste extension, 3" PVC waste coupling, hydraulic flush valve, flush valve connection, center recessed tissue holder, and wall sleeve

Use the following Willoughby Model Number:

**ECW-1846-C-ON-BP-1.6-PML2-PPB-EB-TWE-TWC3P-FV-FVT-RTHC-WS**

## Recommended Specifications

18" combination lavatory/toilet shall be:  
Willoughby Model No. **EC\_\_-1846**  
(Select from model number and options list on next page)

Fixture shall be fabricated from 14 gauge, type 304 stainless steel. The construction shall be all welded, with exposed stainless surfaces polished to a #4 satin finish.

Standard toilet shall include:

- Elongated toilet bowl with contoured seat
- Integral crevice-free self-draining flushing rim with positive afterfill
- Fully enclosed 2-1/2" O.D. trap which shall maintain a minimum 2" seal and pass a 2-1/8" ball
- Bead blast finish bowl interior

Toilet shall be blowout type, requiring 35 psi min. flushing pressure. Model shall meet the requirements of ASME A112.19.3/CSA B45.4.

Standard lavatory shall include:

- Oval-shaped bowl, 13" x 9-1/2" x 5-1/2" deep
- Stainless steel bubbler/filler
- Fast drain with air vent
- Elbow waste (1-1/2" F.I.P.)
- Self-draining soap dish

Fixture shall withstand loadings of 5,000 lbs. without permanent damage.

Cabinet interior shall be sound deadened with fire-resistant material.

Anchoring shall be by standard 4-point system. Ø1/2" threaded rods, nuts and washers shall be furnished for walls up to 8" thick. Unit shall require chase area for installation and maintenance.

***On back to back fixture installations, do not use standard cross type waste fitting: cross flow may result due to blowout jet action. Use sanitary or offset type waste fittings.***

**Note:** For HET 1.28 GPF, unit will pass a 2" ball.

# MODEL NUMBER AND OPTIONS:

**1.) Toilet Waste Location:**

- ECW Wall Outlet
- ECF Floor Outlet

**2.) Base Model Number:**

- 1846 18" Lav-toilet Combination

**3.) Toilet Orientation:**

- L Angled Left
- R Angled Right
- C Centered

**4.) Fixture Mounting:**

- OF Off-Floor (ECW Only)
- ON On-Floor

**5.) Bubblers Selection:**

- BP Penal Bubbler/Filler (Standard)
- BC Code Bubbler/Filler (w/ Mouth Guard)
- BPH Ligature-resistant Bubbler/Filler
- FL Penal Lav. Filler
- FLH Ligature-resistant Lav. Filler

**6.) Flush Valve GPF (Must Specify):**

- 1.28 GPF HET
- 1.6 GPF ULF (Standard)
- 3.5 GPF (3" waste tube required)

**7.) Lavatory Valve Selection:**

- NV No Valve
- PSL1 Single Temp. Pneumatic Non-metering
- PSL2 Dual Temp. Pneumatic Non-metering
- PML1 Single Temp. Pneumatic Metering
- PML2 Dual Temp. Pneumatic Metering
- E1L1 Single Temp. Electronic (Pick Control)
- E1L2 Dual Temp. Electronic (Pick Control)

**Valve Manifold Options:**

*Pneumatic or Electronic Only:*

- MA2  MA3  MA4

**8.) Lavatory Push Button Selection:**

- PPB Pneumatic Push Buttons
- PBH Ligature-resistant Push Buttons
- EPB Electronic Push Buttons
- EPBH Ligature-resistant Electronic Push Buttons
- PZPB Piezo Electronic Push Buttons

**9.) Electronic Controls\***

**(Must Use Electronic Flush Valve):**

- Pneutronic  WITS  WMSII

**10.) Lavatory Waste:**

- EB Elbow Waste (1-1/2" F.I.P.) (Standard)
- PT Integral 'P'-Trap (1-1/2" F.I.P.)
- LWL Lavatory Waste Extension
- OV Lavatory Overflow
- CW1 Combined Waste w/o Clean-out
- CW2 Combined Waste w/ Clean-out
- LW1 Thru-Wall Extension, 'P'-Trap
- LW2 Thru-Wall Extension & Clean-out
- SLOW Slow Drain

**11.) Toilet Waste:**

- GWC Gasketed Waste Connection (Standard on ECF)
- TWE Toilet Waste Extension (Standard on ECW)
- TW3 3" Clean-out for (TWE)
- TW4 Floor Outlet Waste Connection
- TW5 4" Clean-out for (TWE)
- PC3 Pinned Clean-out Plug PVC-3"
- PCB3 Pinned Clean-out Plug Brass-3"
- PC4 Pinned Clean-out Plug PVC-4"
- PCB4 Pinned Clean-out Plug Brass-4"
- WO3 3" Toilet 'P'-Trap (3.5 GPF Only)
- COH3 3" Clean-out Hook, 3" PVC Plug
- COH4 4" Clean-out Hook, 4" PVC Plug
- NLY3 3" NALLYATOR Waste Line Device
- NLY4 4" NALLYATOR Waste Line Device

**12.) Waste Coupling for (TWE) Toilet Waste Extension:**

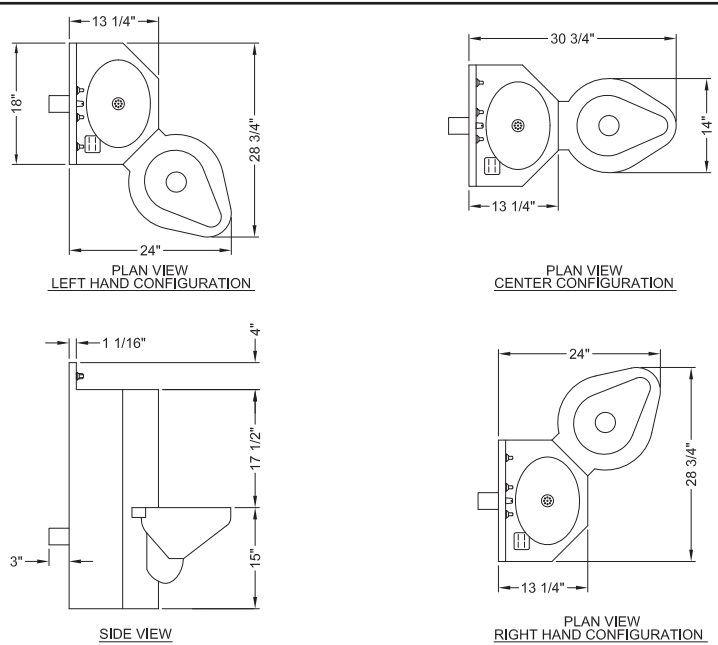
- TWC3P Connecting to 3" PVC
- TWC3C Connecting to 3" Cast Iron
- TWC4P Connecting to 4" PVC
- TWC4C Connecting to 4" Cast Iron

**13.) Other Options:**

- T4 Manual Reset Toilet Overflow Preventer, Req. (FV)
- T4A Auto Reset Toilet Overflow Preventer, Req. (FV)
- ET4 Electronic Toilet Overflow Preventer, Req. (EFV)
- FV Hydraulic Flush Valve (Includes Push Button)
- EFV Electronic Flush Valve (Pick Control)
- EFVP Electronic Flush Valve w/ (PZPB) (Pick Control)
- TFE Toilet Flush Extension
- FVT Flush Valve Connection
- HS Hinged White Plastic Seat (Not recommended for Max. Security/Ligature-resistant use; No Cover)
- RTH\_ Recessed Tissue Holder
  - L  LF  C  RF  R
- ISH Integral Shelf
- TB1\_ Single Toothbrush Holder
  - L  R
- TB2\_ Dual Toothbrush Holder
  - L  R
- TH1\_ Single Towel Hook
  - L  LF  C  RF  R
- TH2\_ Dual Towel Hook
  - L  LF  C  RF  R
- DC Decorator Color (Fixture exterior only - White)
- TF24 Transformer, 110V to 24V
- HPS High Polish Seat
- VG Vent Grille, 6-1/2"x 9-1/2" (13-3/4 in<sup>2</sup> free area)
  - L  LF  RF  R
- MT Wall Template
- WS Wall Sleeve (Requires Accessible Chase)
- SK Ligature-resistant Toilet Skirt, (ON) On-Floor Only
- TG 12 Gauge Cabinet
- TSC Toilet Shipping Cover
- Other \_\_\_\_\_
- Other \_\_\_\_\_

Approved For Manufacturing By: \_\_\_\_\_ Date: \_\_\_\_\_ Company: \_\_\_\_\_  
 Wall Thickness: \_\_\_\_\_ Wall Type: \_\_\_\_\_

**VERIFY ALL DIMENSIONS WITH FACTORY PRIOR TO ROUGH-IN**  
 WILLOUGHBY RESERVES THE RIGHT TO MAKE CHANGES IN DESIGN AND DIMENSIONS WITHOUT FORMAL NOTICE AND WITHOUT INCURRING OBLIGATION.



visit our website at [www.willoughby-ind.com](http://www.willoughby-ind.com)  
 5105 West 78th Street • Indianapolis, IN. 46268  
 (317) 875-0830 • Fax: (317) 875-0837 • (800) 428-4065



MADE IN THE U.S.A.