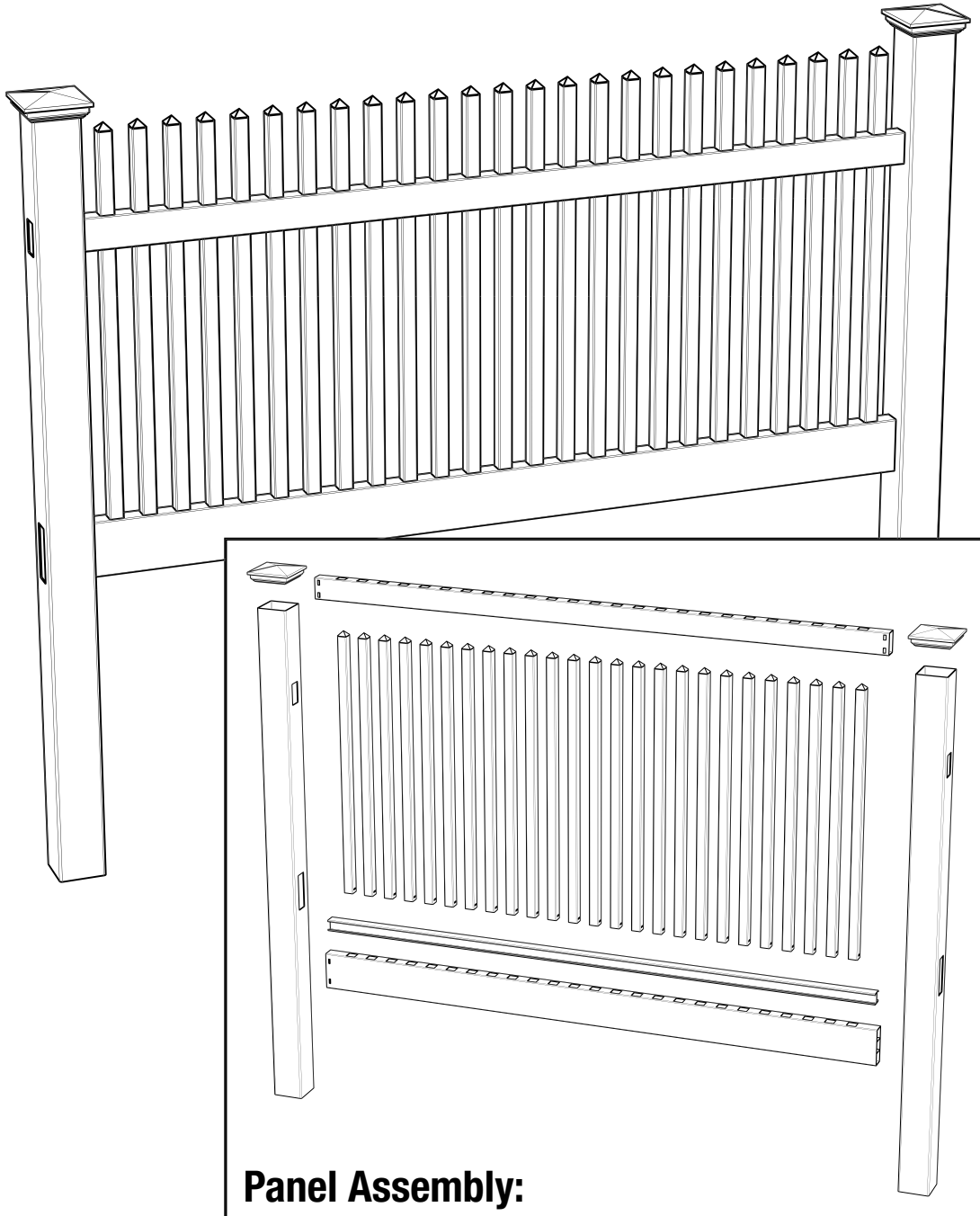


# ActiveYards™

SOLUTIONS FOR BUSY BACKYARDS®

## Vinyl Fence - Pickets

Assembly and Installation Instructions



### Models / Modelos/ Modèles

73011309 / 73011315 / 73011321 / 73011327  
73011333 / 73011339 / 73011345 / 73011351  
73011357 / 73011363 / 73011369 / 73011375  
73011381 / 73011384 / 73011387 / 73011390  
73011393 / 73011396 / 73011399 / 73011402  
73011405 / 73011408 / 73011411 / 73011414  
73011633 / 73011639 / 73011645 / 73011651  
73011657 / 73011663 / 73011669 / 73011675  
73011681 / 73011687 / 73011693 / 73011699  
73011705 / 73011711 / 73011717 / 73011723  
73011729 / 73011735 / 73011741 / 73011747  
73011753 / 73011759 / 73011765 / 73011771  
73011777 / 73011780 / 73011783 / 73011786  
73011789 / 73011795 / 73011801 / 73011807  
73011813 / 73011816 / 73011819 / 73011822  
73011885 / 73011888 / 73011891 / 73011894  
73011897 / 73011900 / 73011903 / 73011906  
73011909 / 73011915 / 73011921 / 73011927  
73011933 / 73011936 / 73011939 / 73011942  
73011945 / 73011948 / 73011951 / 73011954  
73011957 / 73011960 / 73011963 / 73011966  
73011969 / 73011972 / 73011975 / 73011978  
73011981 / 73011984 / 73011987 / 73011990  
73011993 / 73011996 / 73011999 / 73012002  
73012005 / 73012008 / 73012011 / 73012014  
73012017 / 73012020 / 73012023 / 73012026  
73012029 / 73012032 / 73012035 / 73012038  
73012041 / 73012044 / 73012047 / 73012050  
73012053 / 73012056 / 73012059 / 73012062  
73012065 / 73012071 / 73012077 / 73012083

Barberry  
Chestnut  
Chestnut Scallop  
Chestnut Stepped  
Silverbell  
Silverbell Scallop  
Primrose  
Primrose Arched  
Buckeye

**Owner's Manual**  
**Manual del Propietario**  
**Manuel du propriétaire**

**Version / Edición**

**1.0**

34106379AYBOM V1 03/11

PLEASE READ OWNER'S MANUAL  
COMPLETELY BEFORE ASSEMBLING  
YOUR FENCE.

ALL STATED SIZES ARE NOMINAL DIMENSIONS.

POR FAVOR, LEA COMPLETAMENTE EL MANUAL  
DEL PROPIETARIO ANTES DE ENSAMBLAR LA  
EDIFICACIÓN.

TODAS LAS DIMENSIONES INDICADAS SON NOMINALES.

PRIÈRE DE LIRE LE MANUEL DU PROPRIÉTAIRE  
EN ENTIER AVANT D'ASSEMBLER LA REMISE.

TOUTES LES DIMENSIONS INDIQUÉES SONT NOMINALES.

Thank you for choosing the ActiveYards™ Fence. Please read the instructions completely before assembling your fence. Retain manual and your dated sales slip for future reference and warranty claims.

**Before You Begin...**

Check your local zoning laws.

- Local zoning laws and Home Owners Associations may regulate the location, style and height of your fence or even require a permit signoff beforehand.

Contact your local utilities companies.

- You must have the utility companies clearly mark your property for electrical, gas or water lines to avoid puncturing any unseen underground utilities.

Pay to mark your property line.

- Being proactive will save you time and money from any disputes from neighbors.

© 2011 Barrette Outdoor Living  
7830 Freeway Circle  
Middleburg Heights, Ohio 44130

**Material Checklist:**

- |   |   |
|---|---|
| <input type="checkbox"/> Flat Head Screwdriver                                    | <input type="checkbox"/> Safety Glasses     |
| <input type="checkbox"/> Circular Saw or Hand Saw                                 | <input type="checkbox"/> String Line Stakes |
| <input type="checkbox"/> Bag of High Strength Concrete (1½ bags per hole average) | <input type="checkbox"/> Spool of String    |
| <input type="checkbox"/> Coarse Gravel (6" per hole)                              | <input type="checkbox"/> Vinyl Cement       |
| <input type="checkbox"/> Water for Concrete                                       | <input type="checkbox"/> Line Level         |
| <input type="checkbox"/> Clean Rags   | <input type="checkbox"/> Tape Measure       |
| <input type="checkbox"/> Post Hole Digger   | <input type="checkbox"/> Shovel             |
|   | <input type="checkbox"/> Rubber Mallet      |

**ATTENTION: Before you assemble the fence:**

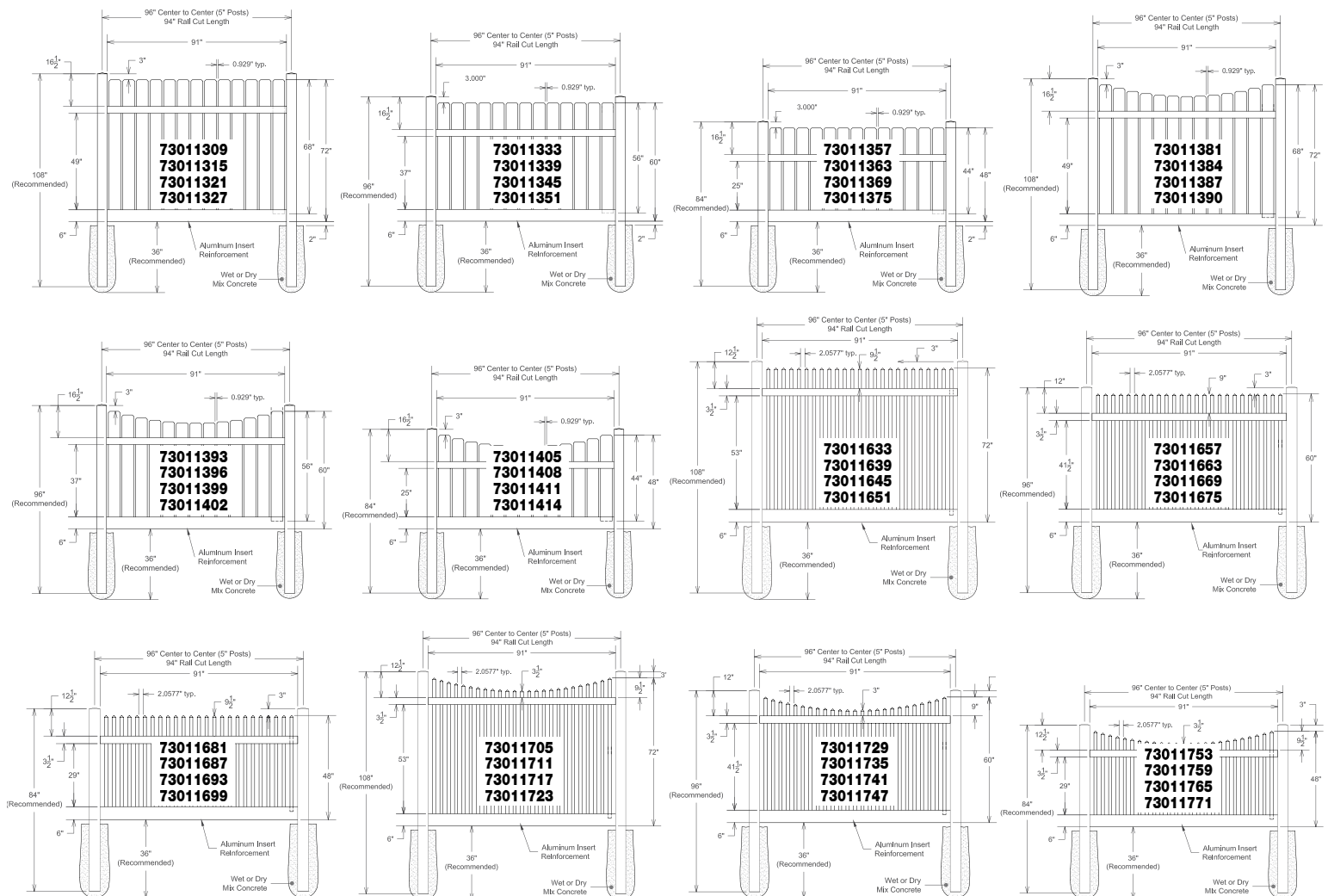
**PLEASE TAKE A COMPLETE INVENTORY OF ALL PARTS USING THE KIT CONTENTS.**

**DO NOT ATTEMPT TO ASSEMBLE THE FENCE IF PARTS ARE MISSING OR DAMAGED.**

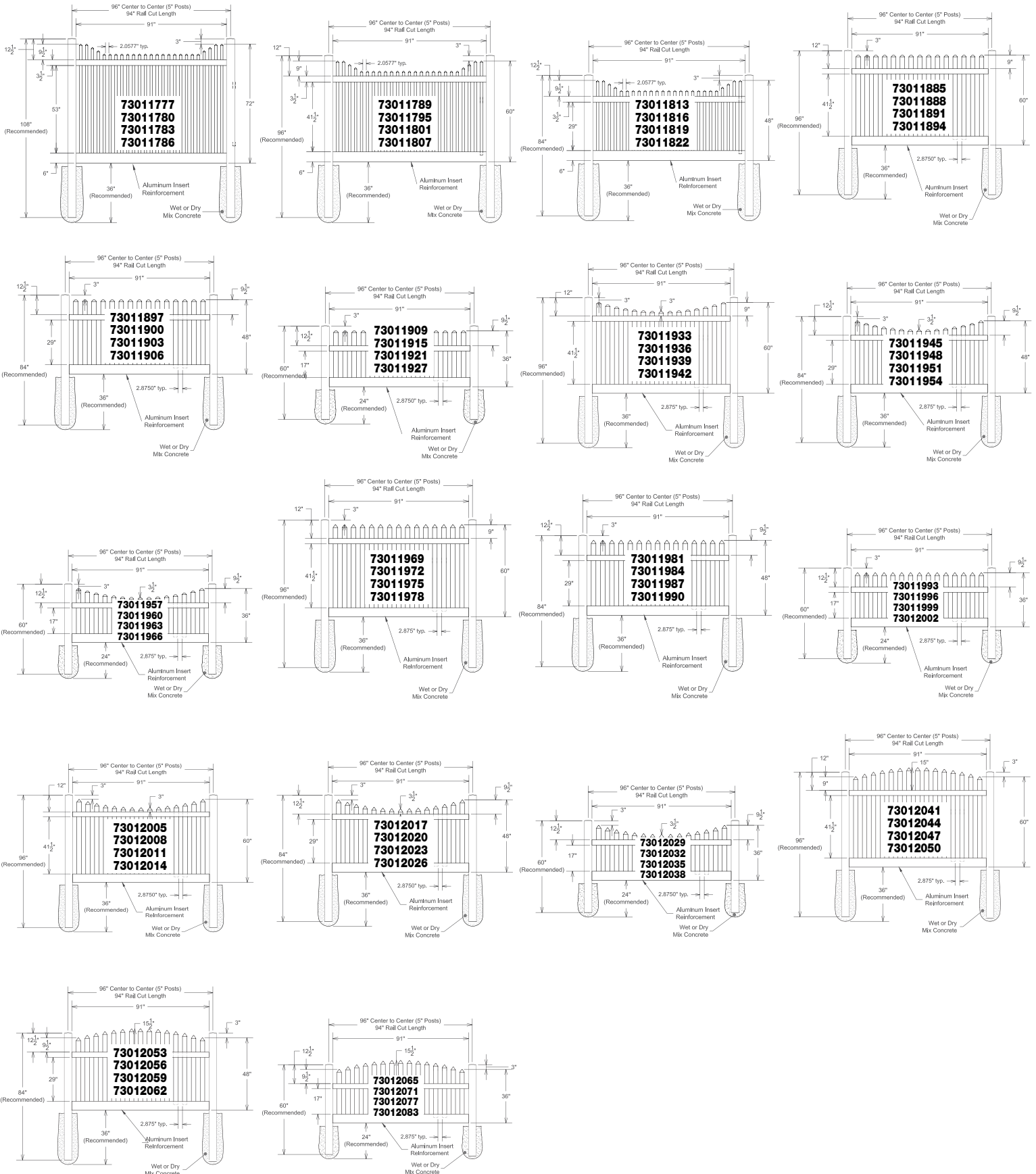
**Please do not return the product to the store, for assistance or replacement parts call:**

**1-800-336-2383**

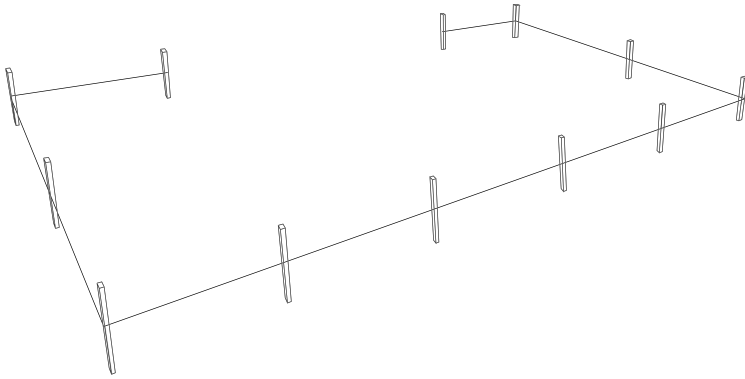
**Product Overview:**



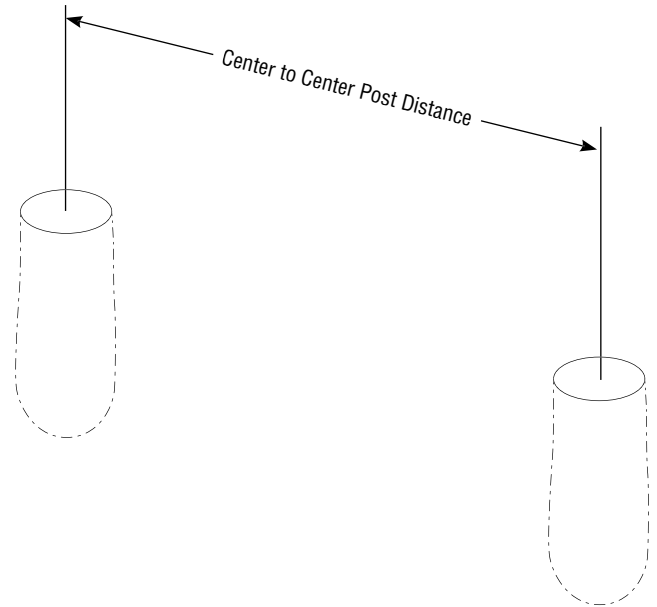
# Product Overview:



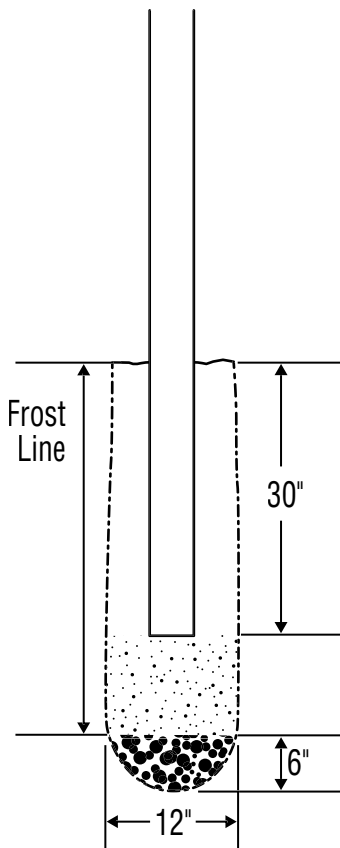
**1** Mark the fence location using string and line stakes.



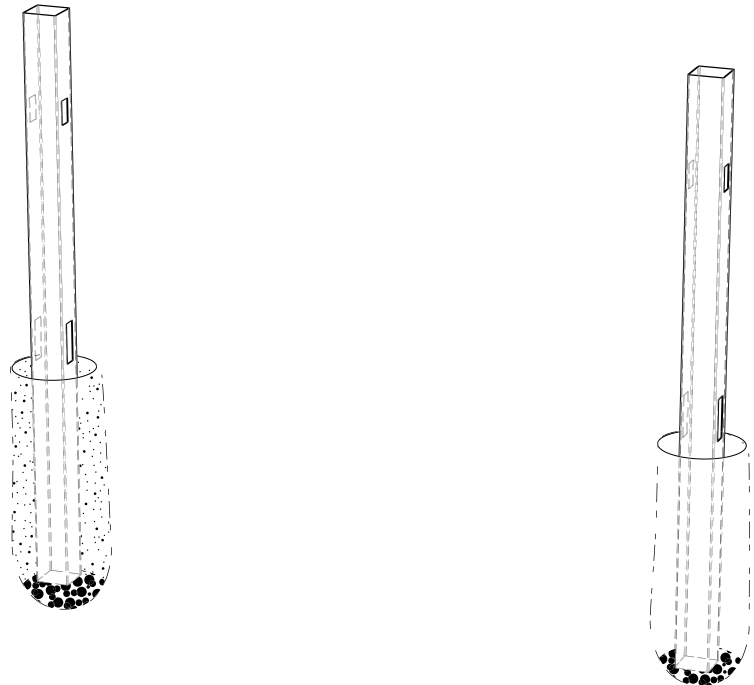
**2** Dig post holes 12" in diameter 36" deep. Use the Center to Center measurements of the fence model being installed for the Center to Center Post Distance. If a fence panel is being used that is less than the width of a full panel, or if posts are being used other than 5" in width, measure the width of the panel and add the width of one post, that will be the Center-to-Center post distance of the holes.



**3** If frost line exceeds 30" dig hole to the appropriate depth and then add 6" of gravel for post drainage. Add concrete according to manufacturers instructions until a depth of 30" remains. Set post in hole ensuring it is plumb and level. Fill hole with concrete according to manufacturers instructions. Go to step 5.

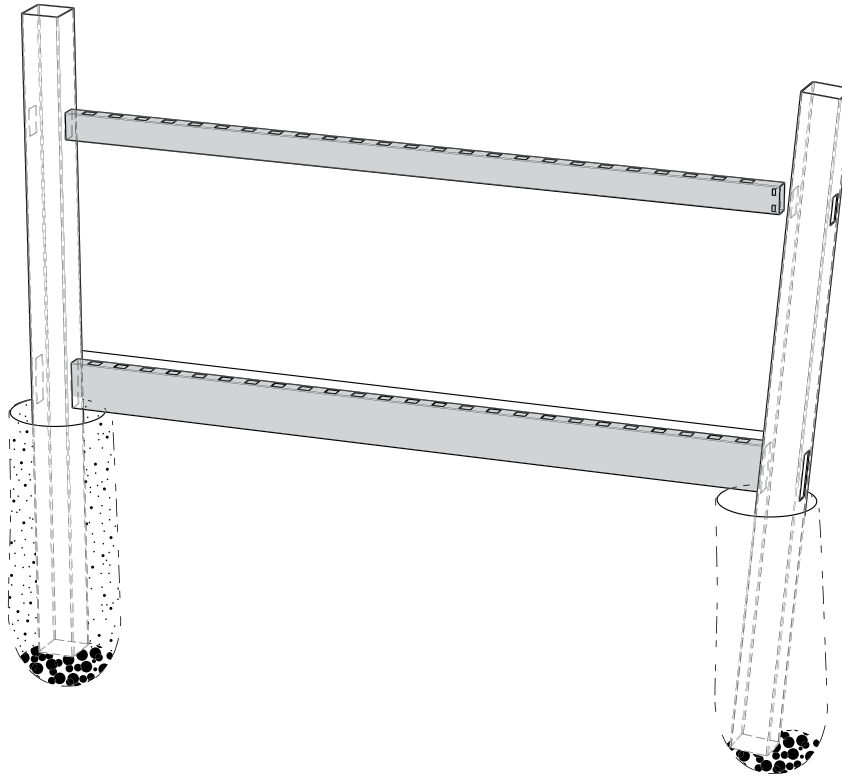


**4** If frost line does not exceed 30", insert 6" of gravel into bottom of both holes then set post in ground ensuring it is level. Ensure first post is plumb and level and then add concrete according to manufacturers instructions.

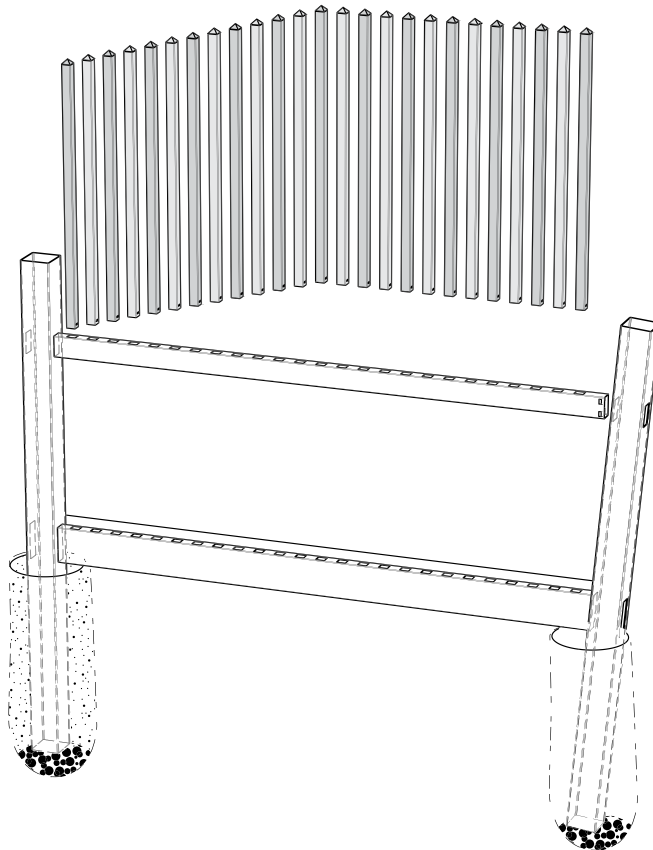




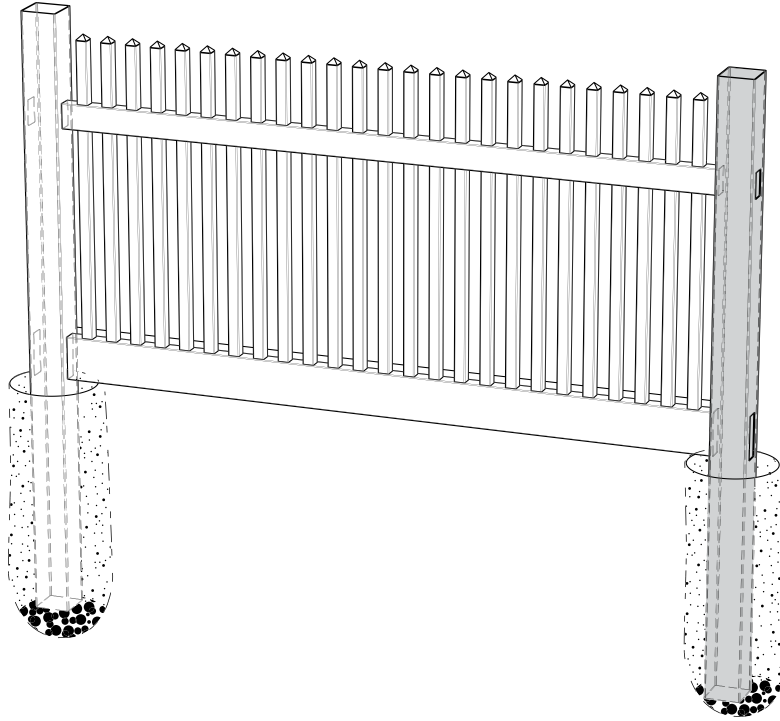
- 5** For Build-It-Yourself panel, insert aluminum into bottom rail, then insert bottom rail into bottom post route hole of first post only. Proceed with inserting all rails into first post.



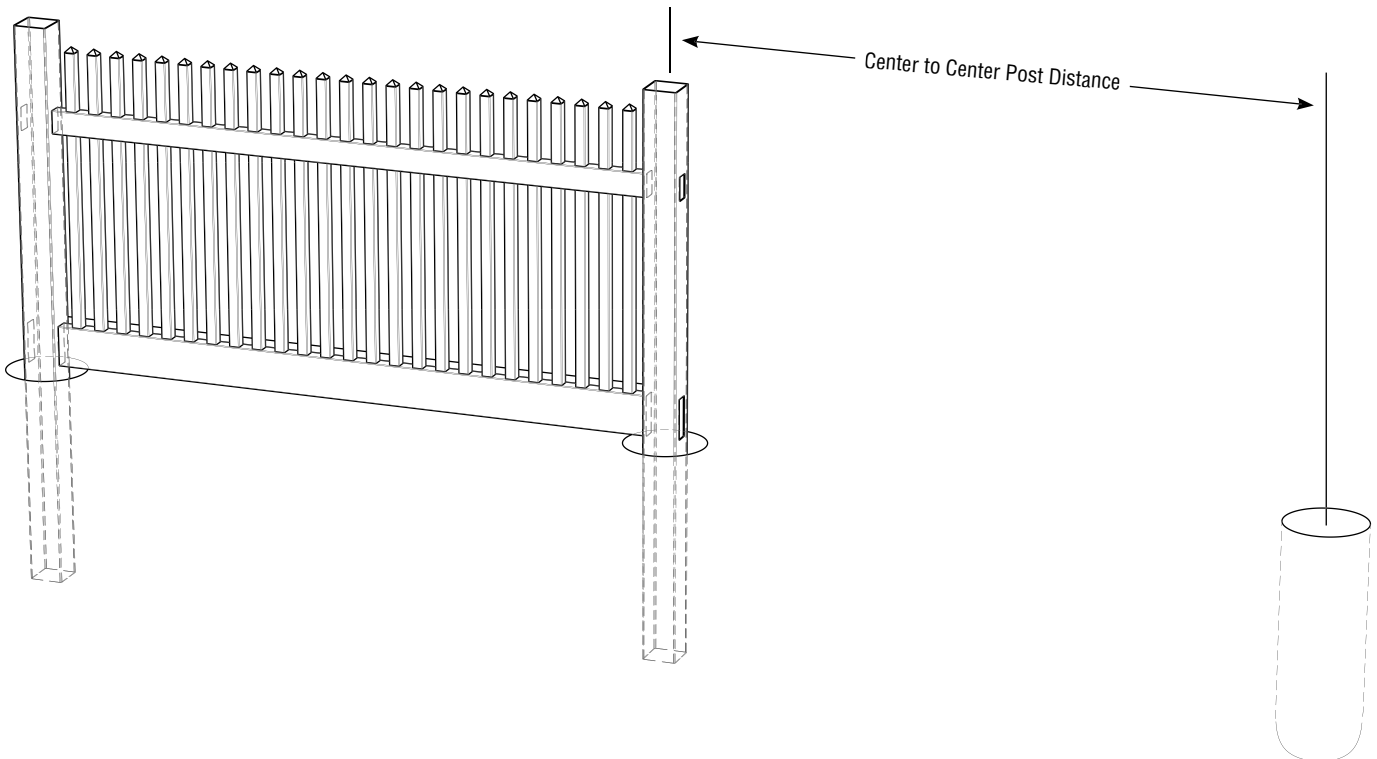
- 6** Starting from the left side, insert pickets/boards down through the top rail. Finish by locking pickets/boards into bottom rail. Note: Scalloped and Arched panels have pickets/boards that are numbered. Start from left side with the #1 picket/board first.



- 7** Insert the completed fence panel into the route holes of the second fence post. Plumb and level the post and add concrete according to manufacturers instructions.

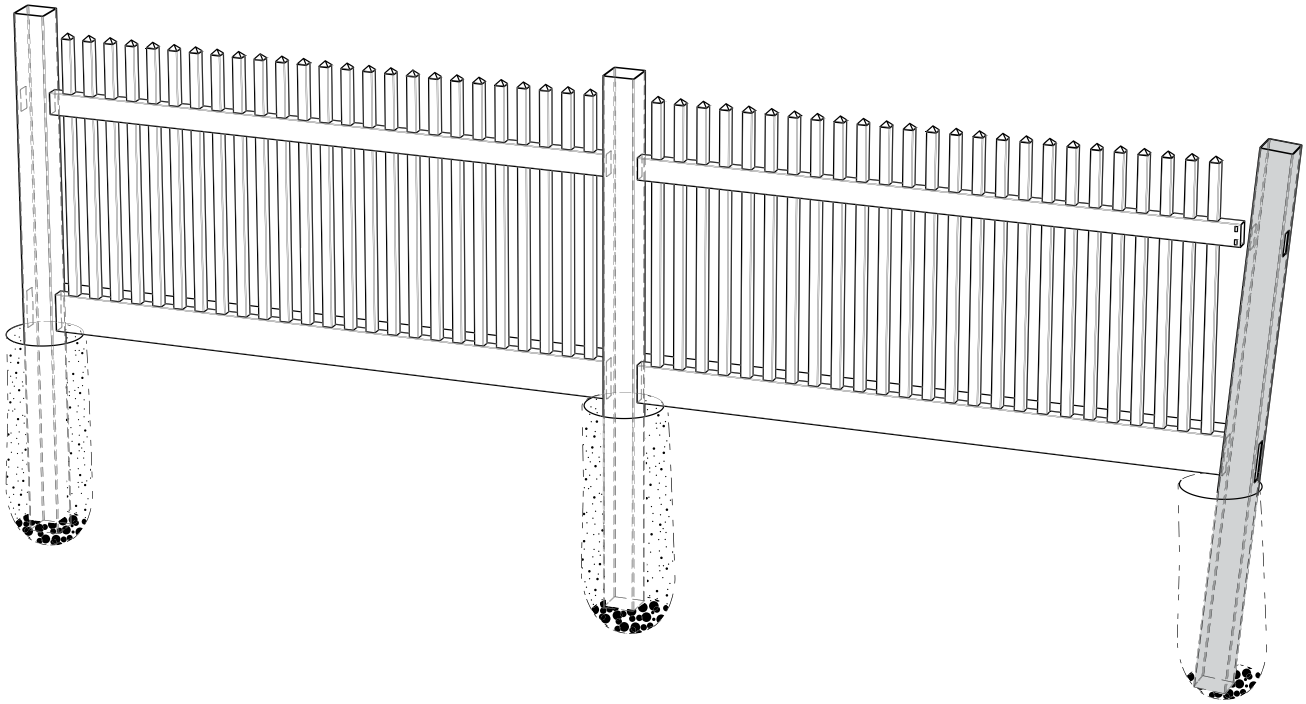


- 8** Check to ensure the second post is level, then add panel width plus one half the width of your post. This will locate the center of your next hole. Then dig the third post hole accordingly.

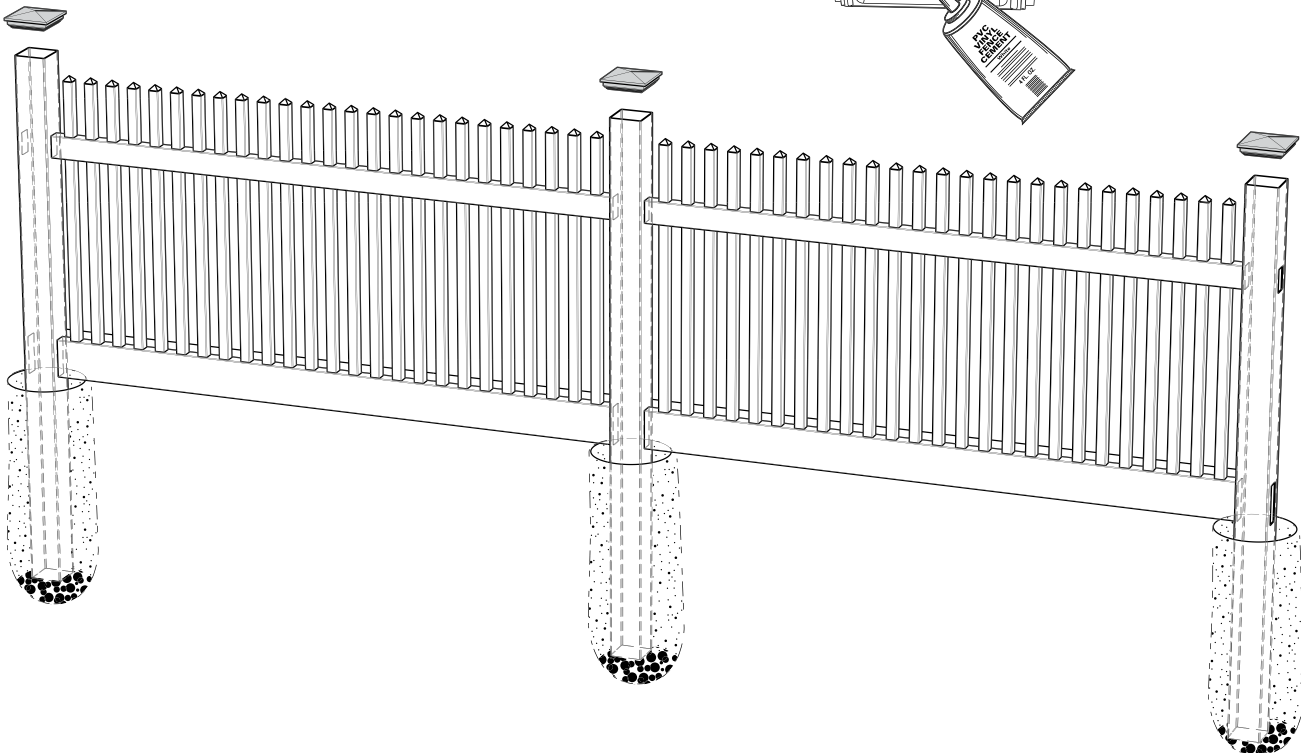
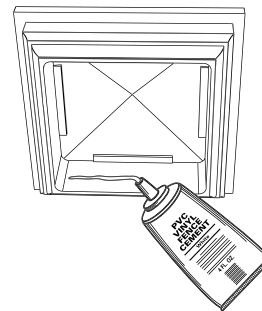


**9**

Repeat process from steps 2 to 9 until all fence panels and posts have been installed.

**10**

Apply glue on inside rim of post caps then attach to posts.



## Transferable Limited Lifetime Warranty

What is covered: Barrette Outdoor Living warrants vinyl and aluminum products to include vinyl fence, railing, plastic lattice, trellis, arbors and aluminum fence against defects or workmanship for as long as you own your home. Barrette Outdoor Living will at its option repair or replace the product in question with new product of the same or equivalent value at no charge. Barrette Outdoor Living warrants these products against fading, peeling, flaking, splintering, corroding, rusting or abnormal discoloration under normal use and service. This warranty extends to the original purchaser or transferee as specified herein.

What this warranty does not cover: This limited warranty does not cover damage resulting from accident, unreasonable use, neglect, alteration, improper service, improper installation, acts of God or any other causes not arising out of defects in materials or workmanship. Additionally, this warranty does not cover costs of installation, removal, reinstallation or surface mold and mildew created by excessive environmental conditions. Any service or repair provided outside the scope of this limited warranty shall be at Barrette Outdoor Living's rate and terms then in effect.

What do we do to correct the problems? Should your Barrette Outdoor Living product prove defective under warranty, reference the website or call the phone number listed below. Your problem will be assigned a tracking number and an authorized Barrette Outdoor Living representative will contact you to arrange a convenient time to schedule an onsite inspection, if need be. If after onsite inspection product is deemed to be manufacturer defect we will make arrangements to rectify the issue. You must have proof of your purchase in order for the problem to be corrected.

Transferee Coverage: Warranty coverage will be extended to transferees on the above listed products with the following limitations. Transferee must obtain an original or copy of the initial sales receipt (with proof of date) from the previous owner(s). Additionally, if fence is purchased from a builder or installer, documentation must be supplied that names the product installed on property and date of transfer.

THIS WARRANTY IS IN LIEU OF ALL CONDITIONS OR WARRANTIES, EXPRESS, OR IMPLIED INCLUDING BUT NOT LIMITED TO ANY IMPLIED CONDITIONS OR WARRANTIES OR MERCHANTABILITY OR FITNESS FOR A PARTICULAR PURPOSE ON THE PART OF Barrette OR ITS LICENSORS, SOME STATES DO NOT ALLOW THE EXCLUSIONS OF IMPLIED WARRANTIES OR LIMITATIONS OF HOW LONG AN IMPLIED WARRANTY LASTS, SO THE ABOVE LIMITATIONS MAY NOT APPLY TO YOU. IF THE PRODUCT IS DEFECTIVE PER THE ABOVE COVERAGES, YOUR SOLE AND EXCLUSIVE REMEDY SHALL BE REPAIR OR REPLACEMENT AS PROVIDED ABOVE. BARRETTE AND ITS LICENSORS SHALL NOT BE LIABLE FOR ANY DAMAGES, LOSS OF USE, LOSS OF PROFITS OR INTERRUPTION OF BUSINESS WHETHER SUCH ALLEGED DAMAGES ARE BASED IN WARRANTY, TORT, CONTRACT, OR INDEMNITY. SOME STATES DO NOT ALLOW THE EXCLUSION OF LIMITATIONS OF INCIDENTAL OR CONSEQUENTIAL DAMAGES, SO THE ABOVE LIMITATIONS MAY NOT APPLY TO YOU. THIS WARRANTY IS VALID ONLY IN THE UNITED STATES AND CANADA.

1-800-336-2383

### Models

73011309 / 73011315 / 73011321 / 73011327  
73011333 / 73011339 / 73011345 / 73011351  
73011357 / 73011363 / 73011369 / 73011375  
73011381 / 73011384 / 73011387 / 73011390  
73011393 / 73011396 / 73011399 / 73011402  
73011405 / 73011408 / 73011411 / 73011414  
73011633 / 73011639 / 73011645 / 73011651  
73011657 / 73011663 / 73011669 / 73011675  
73011681 / 73011687 / 73011693 / 73011699  
73011705 / 73011711 / 73011717 / 73011723  
73011729 / 73011735 / 73011741 / 73011747  
73011753 / 73011759 / 73011765 / 73011771  
73011777 / 73011780 / 73011783 / 73011786  
73011789 / 73011795 / 73011801 / 73011807

73011813 / 73011816 / 73011819 / 73011822  
73011885 / 73011888 / 73011891 / 73011894  
73011897 / 73011900 / 73011903 / 73011906  
73011909 / 73011915 / 73011921 / 73011927  
73011933 / 73011936 / 73011939 / 73011942  
73011945 / 73011948 / 73011951 / 73011954  
73011957 / 73011960 / 73011963 / 73011966  
73011969 / 73011972 / 73011975 / 73011978  
73011981 / 73011984 / 73011987 / 73011990  
73011993 / 73011996 / 73011999 / 73012002  
73012005 / 73012008 / 73012011 / 73012014  
73012017 / 73012020 / 73012023 / 73012026  
73012029 / 73012032 / 73012035 / 73012038  
73012041 / 73012044 / 73012047 / 73012050  
73012053 / 73012056 / 73012059 / 73012062  
73012065 / 73012071 / 73012077 / 73012083

Barberry  
Chestnut  
Chestnut Scallop  
Chestnut Stepped  
Silverbell  
Silverbell Scallop  
Primrose  
Primrose Arched  
Buckeye

**Owners Manual**  
Structure made in U.S.A.  
Printed in U.S.A.  
U.S. Pat. appl'd for