

Installation

INSTALLING THE WINE COOLER

Your Electrolux wine cooler has been designed for either free-standing or built-in installation (refer to the **Built-in Installation** section of this manual for instructions). In either case, the front grille must NOT be obstructed.

SITE PREPERATION

- 1 Position the unit on a flat, level surface, capable of supporting the entire weight of the unit. Remember the unit will be significantly heavier once it is fully loaded.
- 2 This unit requires a grounded and polarized 115 VAC, 60Hz, 15A circuit (normal household current).
- 3 Avoid connecting the unit to a Ground Fault Interruptor (GFI). GFIs are prone to nuisance tripping which will cause the unit to shut down. GFIs are generally not used on circuits which power equipment that must run unattended for long periods of time.
- 4 The unit must be installed according to your local codes and ordinances.

DANGER

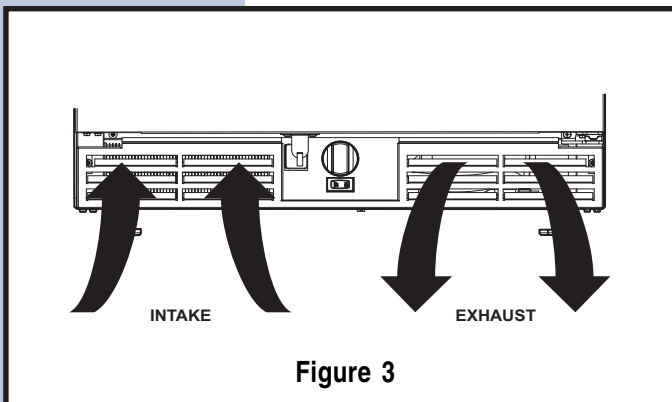
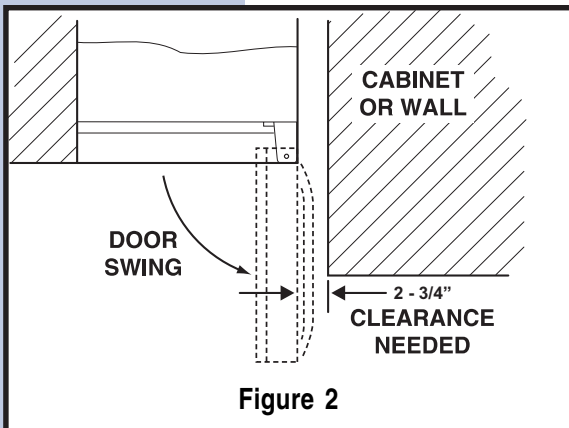
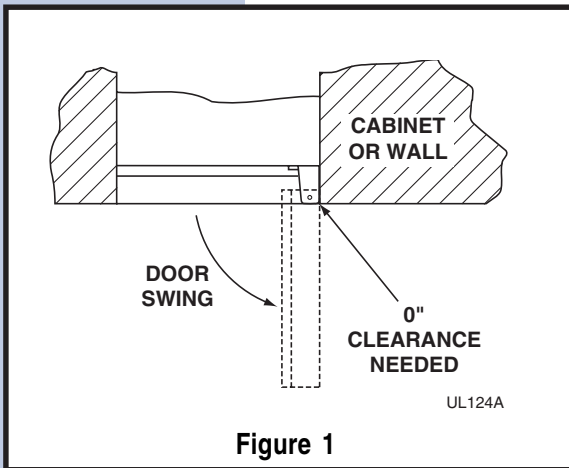
ELECTROCUTION HAZARD!

Electrical Grounding Required. This appliance is equipped with a three prong (grounding) polarized plug for your protection against possible shock hazards.

- NEVER remove the round grounding prong from the plug.
- NEVER use a two-prong grounding adapter.
- NEVER use an extension cord to connect power to the unit.

Where a two-prong wall receptacle is encountered or a longer power cord is required, contact a qualified electrician to have it replaced in accordance with applicable electrical codes.

Site Preparation



NOTE

All units require zero clearance when installed flush with a cabinet or wall (see Figure 1). Electrolux stainless steel models require a minimum 2-3/4 inch handle clearance when installed against a wall or cabinet that extends beyond the front edge of the unit (see Figure 2).

- 5 Position the unit to allow free air flow through the front grille (see Figure 3).
- 6 Wipe out inside of unit with a damp cloth.
- 7 Final finish of the wooden wine rack trim must be applied at least 24 hours before re-installing the wooden rack trim into the cabinet.
- 8 Be sure to install the Anti-Tip brackets. Follow the instructions provided with the Anti-Tip bracket kit.

Wood Trim

WINE RACKS WITH WOOD TRIM

Your Electrolux wine cooler is equipped with a natural wood trim on the wine racks for appearance and durability. The wood trim has been coated at the factory with a clear vinyl sealer, which will adequately protect the wood in normal usage.

CAUTION

To prevent permanent damage to the inner liner of your wine cooler, the wine rack wood trim **MUST** be removed from the unit for staining and/or finishing. Allow stain/finish to dry thoroughly (at least 24 hours per coat) in accordance with the stain/finish manufacturer's instructions prior to re-installing the wood trim inside the cabinet of the wine cooler. Failure to do so may cause the inner liner of the unit to have a permanent odor, which is not covered by the warranty.

You have 3 options regarding the wood trim on the wine racks.

(1) You can leave as is, (2) add a final finish coat or (3) you may stain the wood trim. The final finish coat was not applied at the factory so that the wood trim could be stained. **YOU CANNOT STAIN THE WOOD TRIM ONCE YOU APPLY THE FINAL FINISH.** Review the following guidelines when staining and or sealing the wood to ensure proper adhesion and durability of the finish.

To add a final finish coat:

- 1 Remove five racks with wood trim from unit, see RACK REMOVAL/INSTALLATION.
- 2 Remove screws securing wood trim to racks.
- 3 Lightly scuff sand the molding with 280 grit 3M Tri-M-Ite® sand-paper.
- 4 Remove sanding dust with a clean, dry cloth.
- 5 Apply a thin coat of a clear protective finish; the factory-applied seal is compatible with virtually all finishes. A low odor, water clean up, quick drying finish such as Minwax Polycrylic® is recommended. Follow container label for directions.
- 6 Lightly sand and reapply if desired.

Wood Trim

To stain for a different wood color:

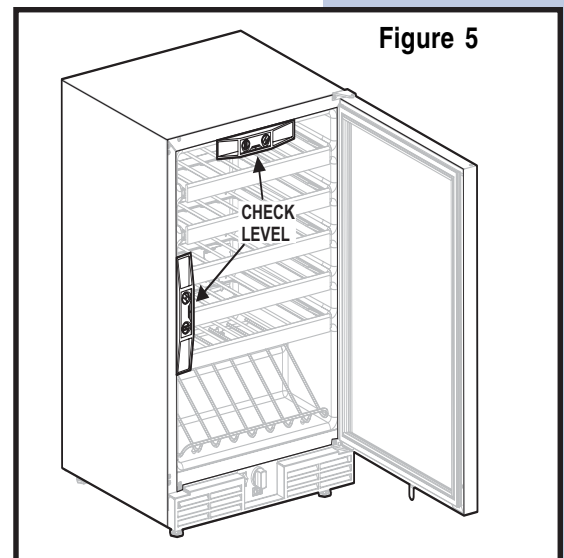
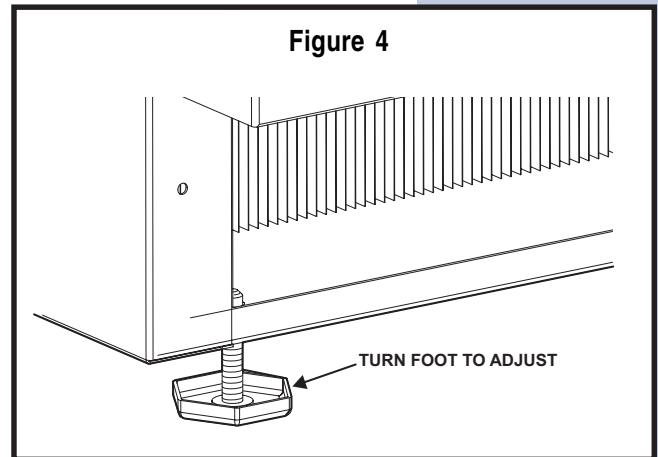
- 1** Remove five racks with wood trim from unit, see **Rack Removal/Installation**.
- 2** Remove screws securing wood trim to racks.
- 3** Apply Minwax Water-Based Wood Stain® to wood with a synthetic foam brush. Stain must penetrate approximately 3 minutes. After this period, while stain is still wet, take a stain dampened rag and remove all excess stain. Wipe in the direction of the grain with medium pressure to achieve the desired stain color.
- 4** After 2 hours, repeat step three. This will even out the color of the wood.
- 5** Allow stain to dry for a minimum of 3 hours before finishing.
- 6** If desired sand the wood with very fine sandpaper to smooth the surface from the staining process.
- 7** Remove all dust from the wood. Apply one coat of Minwax Ultra Fast-Drying Polycrylic Protective Finish® with a synthetic foam brush to the wood. This finish should be applied in a thin coat following the direction of the grain. First apply the finish to the back and sides of the wood. Allow this to dry for two hours. Next apply the finish to the front side of the wood and allow to dry for two hours. Sand with very fine sandpaper (220 grit). Reapply in the same manner 3 times total. After the third coat do not sand the surface.
- 8** Allow the final coat to dry for 24 hours before installing the wood to the wine cooler racks.

Leveling

LEVELING THE UNIT

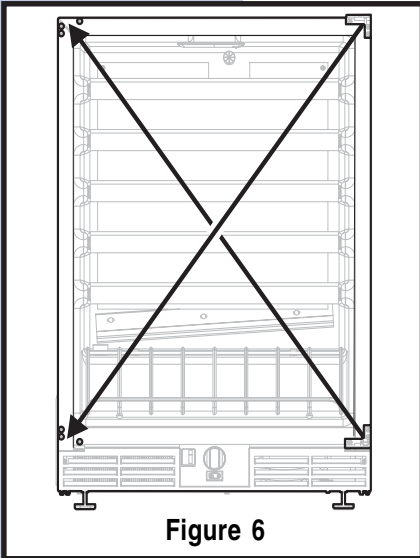
Position the unit on a flat, level surface, capable of supporting the entire weight of the unit when full.

This unit contains four adjustable leveling legs. Turn the legs clockwise to raise and counterclockwise to lower (see **Figures 4 and 5**).



Door Reversal

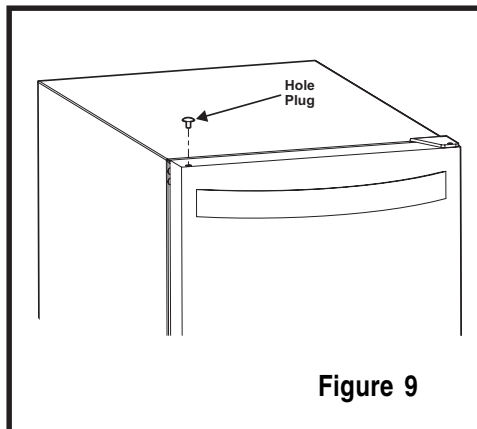
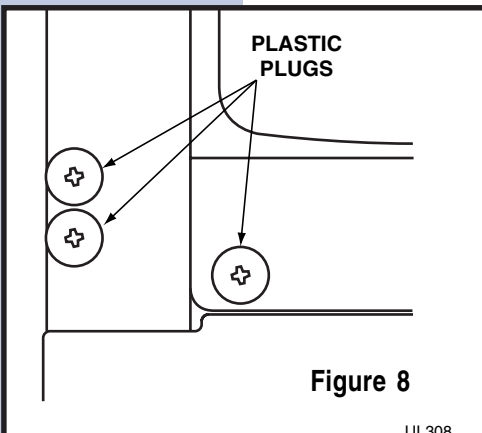
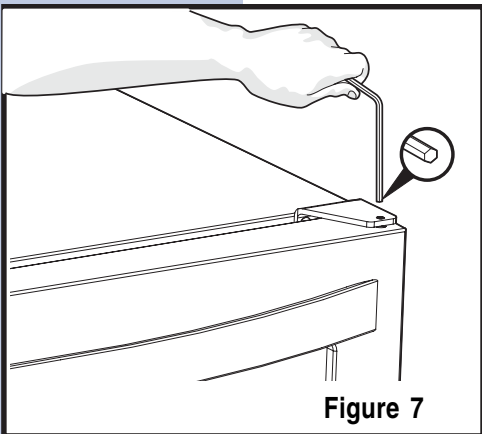
REVERSING THE DOOR



All Electrolux wine cooler models are field reversible for left or right hand opening. The door opening is easily reversed by moving the hinge hardware to the opposite side (see **Figure 6**).

To reverse the door:

- 1 Remove top hinge screw pin (7/64" Allen wrench) from cabinet (see **Figure 7**).
Remove door by tilting forward and lifting off bottom hinge pin.
- 2 Remove plastic screw plugs (3 top and 3 bottom) from new hinge location (see **Figure 8**), and remove hinge pin hole plug in top of door (see **Figure 9**). Do not discard.



Door Reversal

- 3 Remove top hinge (3 screws), reinstall hinge screw pin, and remount on opposite side **BOTTOM** (see **Figure 10**).
- 4 Remove the two door closer plastic inserts from the existing bottom hinge and install as shown on the new bottom hinge (see **Figure 11**).
- 5 Remove existing bottom hinge (3 screws) and remount on opposite side **TOP**. Remove top hinge screw pin.
- 6 With bottom of door facing up, remove pivot plate (2 screws), flip over, and remount on opposite side of door (see **Figure 12**).
- 7 Holding door upright with top of door tilted forward, place hole of door pivot plate on bottom hinge screw pin (see **Figure 13**). Be sure that the bosses on the closers align with holes in hinge and hinge plate.
- 8 Tilt top of door into position in top hinge and install top hinge screw pin.
- 9 In empty hinge holes, install plastic screw plugs (3 top and 3 bottom) and door hole plug (1, door top) removed in step 2.

