

Installation Instructions

Built-In Side-By-Side Refrigerators

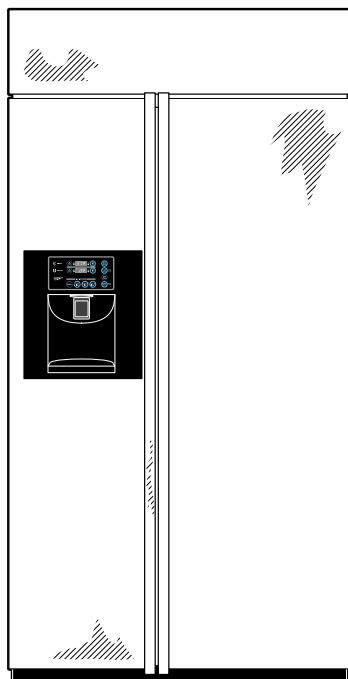
If you have questions, call 1-877-4ELECTROLUX 877-435-3287 or visit our website at:



BEFORE YOU BEGIN

Read these instructions completely and carefully.

- **IMPORTANT** — Observe all governing codes and ordinances.
- **Note to Installer** – Be sure to leave these instructions for the consumer's and local inspector's use.
- **Note to Consumer** – Keep these instructions with your Owner's Manual for future reference.
- **Skill Level** – Installation of this refrigerator requires basic mechanical, carpentry and plumbing skills. Proper installation is the responsibility of the installer. Product failure due to improper installation is not covered under the Electrolux Home Products Warranty. See warranty information.
- **Completion Time** – 90 minutes (new installations require more time than replacement installations).



⚠ CAUTION:

Due to the weight and size of this refrigerator, and to reduce the risk of personal injury or damage to the product, A MINIMUM OF 4 PEOPLE ARE REQUIRED TO BRING THE UNIT INTO THE HOME AND 2 PEOPLE ARE REQUIRED FOR PROPER INSTALLATION.

⚠ WARNING:

- These refrigerators are **top-heavy** and must be secured to prevent the possibility of tipping forward. **Anti-Tip protection is required.** See Step 4 on page 30 for details.
- Use this appliance only for its intended purpose.
- Immediately repair or replace electric power supply cords that become frayed or damaged.
- Set the **Master Power** switch to the **O (OFF)** position before cleaning or making repairs.
- Repairs should be made by a qualified service technician.

For local service in your area, call
1-877-4ELECTROLUX or 877-435-3287

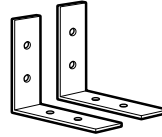
For parts and accessories, call
1-877-4ELECTROLUX or 877-435-3287

**READ CAREFULLY.
KEEP THESE INSTRUCTIONS.**

Installation Instructions

HARDWARE SUPPLIED

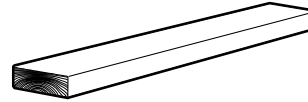
- Anti-Tip brackets



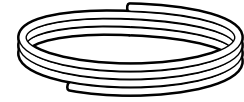
Anti-Tip Brackets

MATERIALS REQUIRED

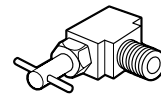
- 36" long, 2" x 4" wood block for Anti-Tip bracket installation
- #12 or #14 wood screws for Anti-Tip bracket
- Screws to secure refrigerator to cabinets
- 1/4" O.D. copper water line tubing.
- Water shutoff valve
- Custom panels for doors and grille panel (if installing custom panels)
- Special 3M Dual Lock adhesive strips for 1/4" side panels (if installing side panels)



36" Wood Block



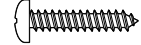
1/4" O.D. Copper Water Line Tubing



Water Shutoff Valve



#12 or #14 Wood Screws



Screws



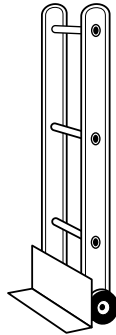
Special 3M Dual Lock Adhesive Strips



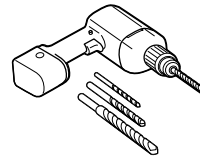
Custom Panels

TOOLS REQUIRED

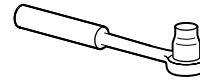
- Tinsnips to cut banding
- Stepladder
- Bucket
- Level
- Appliance dolly
- Tubing cutter
- Flathead screwdriver
- 1/2" open-end wrench
- #2 Phillips screwdriver
- Drill and appropriate bits
- 7/32", 1/2" sockets
- Safety glasses
- 7/16" open-end wrench
- Pliers



Appliance Dolly



Drill & Bits



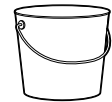
Sockets



Safety Glasses



Open-end Wrenches



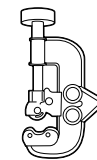
Bucket



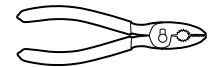
Stepladder



Flathead Screwdriver



Tubing Cutter



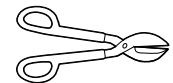
Pliers



Phillips Head Screwdriver



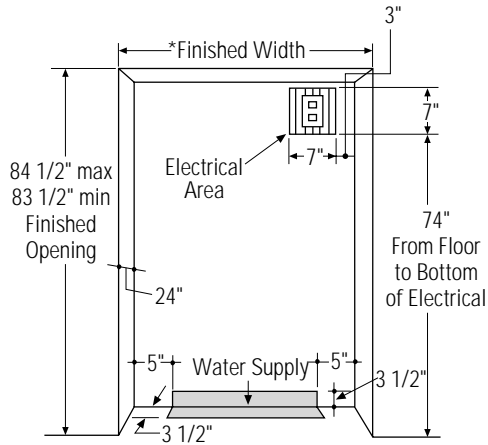
Level



Tinsnips

Installation Instructions

THE INSTALLATION SPACE



*The finished cutout width must be:
41-1/2" for 42" models

Water and Electrical Locations

The opening must be prepared with the electrical and water supply located as shown.

The cutout depth must be 24"

The refrigerator will project forward, slightly beyond adjacent cabinets, depending on your installation.

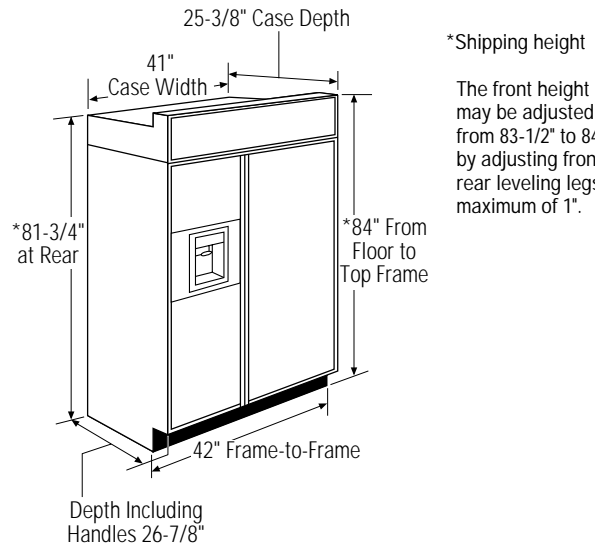
Additional Specifications

- A 120 volt, 60Hz, 15 or 20 amp power supply is required. An individual properly grounded branch circuit or circuit breaker is recommended. Install a properly grounded 3-prong electrical receptacle recessed into the back wall. Electrical must be located on rear wall as shown.

Note: GFI (ground fault interrupter) is not recommended.

- Water line can enter the opening through the floor or rear wall. The water line installed should be 1/4" O.D. copper tubing between the cold water line and water connection location. The line should be long enough to extend to the front of the refrigerator. Installation of an easily accessible shutoff valve in the water line is required.

DIMENSIONS AND CLEARANCES

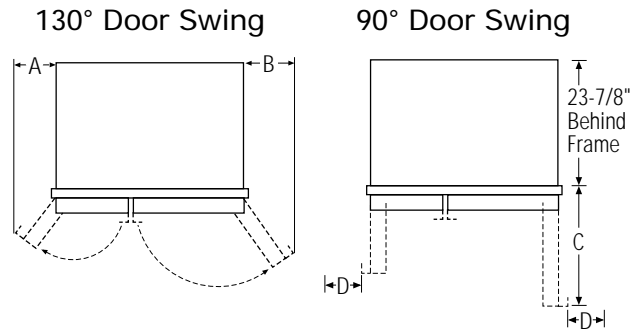


*Shipping height

The front height may be adjusted from 83-1/2" to 84-1/2" by adjusting front and rear leveling legs a maximum of 1".

Product Clearances

These refrigerators are equipped with a 2 position door stop. The factory set 130° door swing can be adjusted to 90° if clearance to adjacent cabinets or walls is restricted.



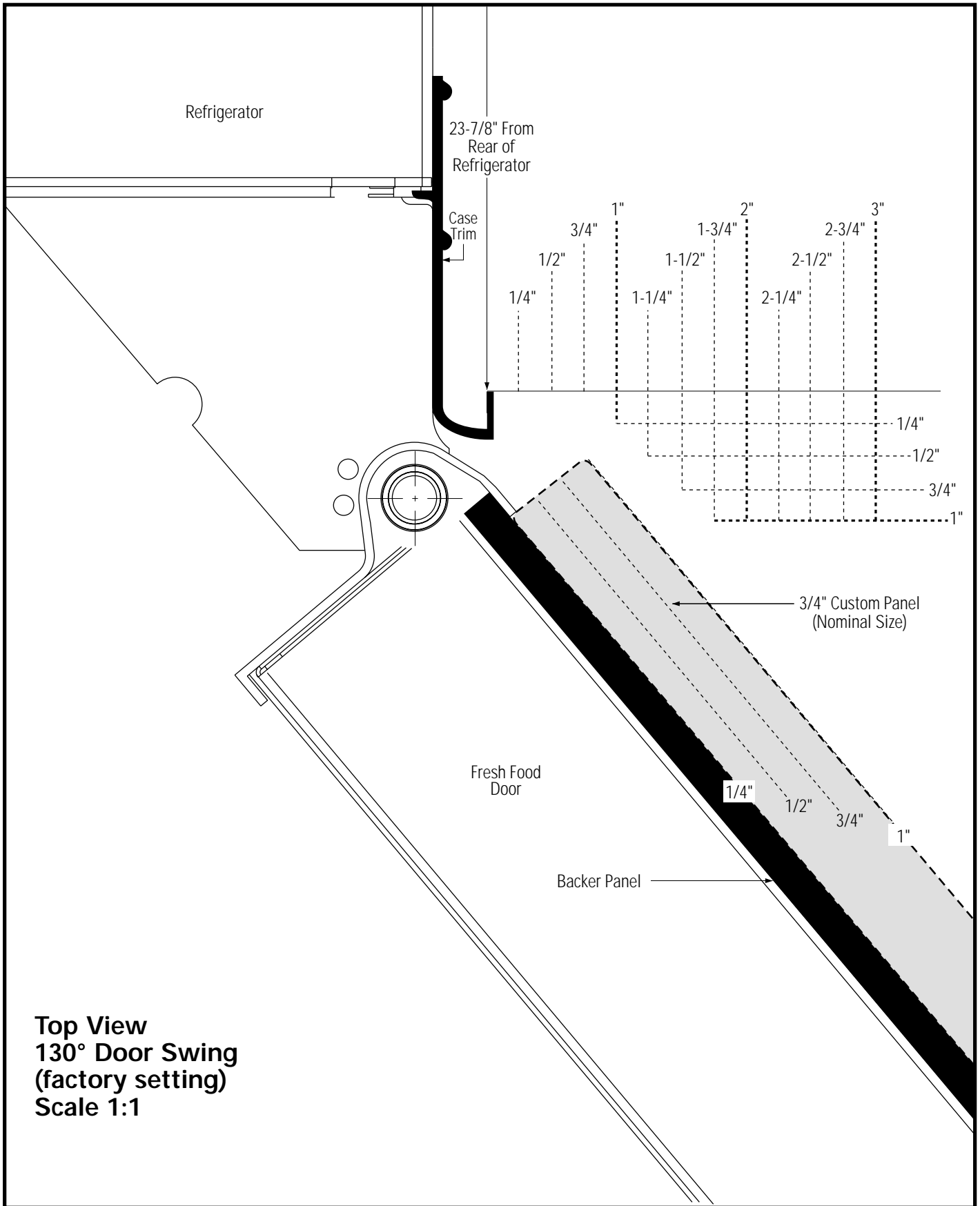
Models	A	B	C	D
42"	12-3/16"	16"	24"	4"

Allow minimum clearances for Freezer door (Dimension A) and Fresh Food door (Dimension B) for a full 130° door swing and to allow for drawer removal.

Four inch (4") minimum clearance is required when door swing is adjusted to 90°. If the 90° door stop position is used, drawer access is maintained, but drawer removal is restricted.

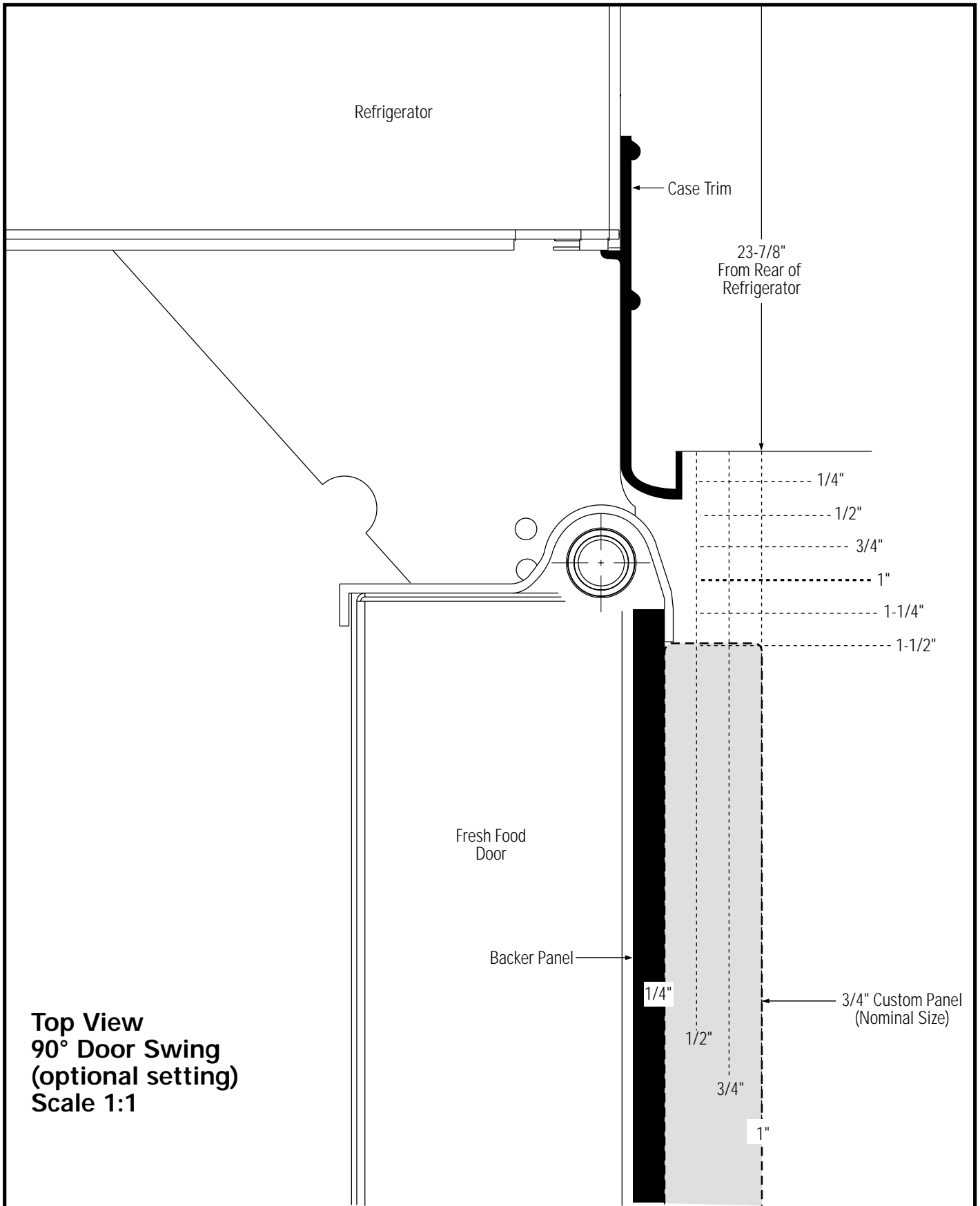
See illustrations, pages 18 and 19, to determine door swing interaction with adjacent cabinets or countertops.

Installation Instructions



Top View
130° Door Swing
(factory setting)
Scale 1:1

Installation Instructions



Installation Instructions

CUSTOMIZATION BASICS:

Stainless Steel Wrapped Models

Stainless Steel Wrapped Refrigerators

Stainless Steel wrapped refrigerators have wrapped doors and grille panels, and beveled edges. These models are shipped ready for installation.

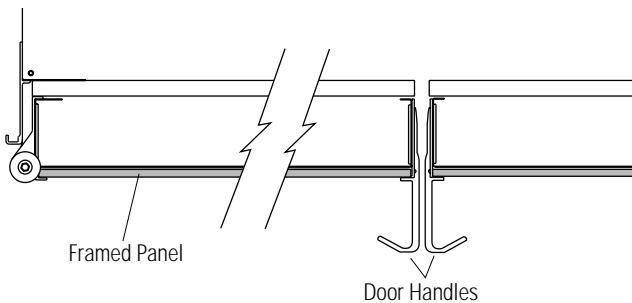
Trimmed Models

Trimmed Refrigerator Panels

Trimmed refrigerators are designed to be customized with decorative panels. Field installed custom door and grille panels are required. There are three custom panel options. You can install a 1/4" framed panel, a 3/4" framed custom panel or a 3/4" full-width overlay custom panel.

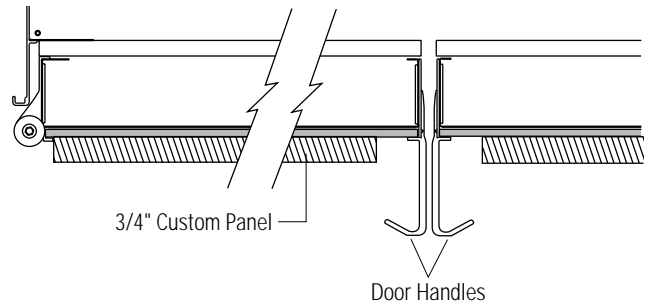
1/4" Framed Panels

You may install 1/4" thick custom panels from your cabinet manufacturer. The decorative panel slides into the factory installed trim.



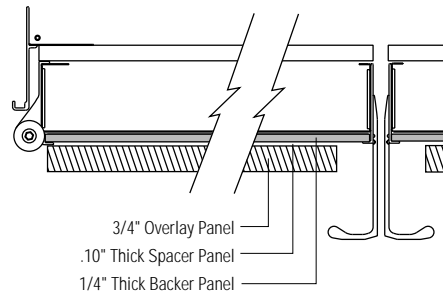
3/4" Framed Custom Panels

3/4" framed custom panels are secured to a 1/4" finished backer panel. They are designed to slide into the factory installed trim, no kits required. The backer panel will be exposed on the handle side and therefore must be finished.



3/4" Full-Width Overlay Custom Panels

3/4" full-width overlay custom panels are designed to slide into the factory installed trim, no kits required. In this design, you can achieve a nearly trimless appearance. A spacer panel must be installed between the finished backer and appearance panel. The backer panel will be exposed on the handle side and therefore must be finished.



Door Handles On Trimmed Refrigerators

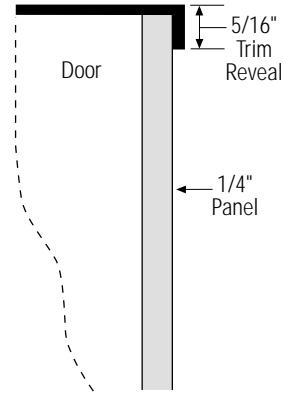
The handles can be used to accommodate both framed or custom panels.

NOTE: For 3/4" custom panels, please refer to diagrams on page 23 for optimum handle clearance.

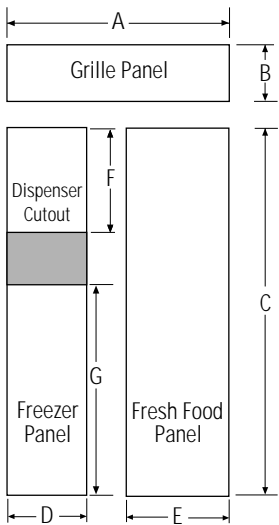
Installation Instructions

1/4" FRAMED PANEL DIMENSIONS

If you choose to install framed panels, they must be cut to the dimensions shown. The panels will slide into the frame on the door and grille.



IMPORTANT NOTE: Maximum weight for Fresh Food panel is 70 pounds and 30 pounds total for Freezer panels.



Front Panel Dimensions (in inches)

	A	B	C	D	E	F	G
42" Models	39-15/16	10-3/4	67-7/8	16-7/16	22-11/32	17-13/16	35-5/32

IMPORTANT NOTE: Dispenser Trim

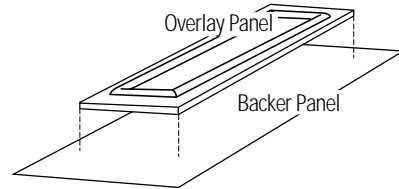
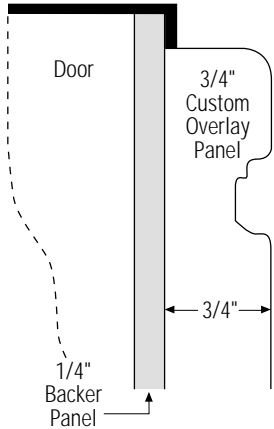
The refrigerator is supplied with factory installed dispenser trim.

- If panel is less than 1/4" thick, a noticeable gap will be created around the dispenser trim. Foam tape may be applied on the door to improve the fit.
- If panel is more than 1/4" thick, the panel will not fit behind the trim.

Installation Instructions

3/4" FRAMED CUSTOM PANEL OPTION

For a more custom appearance, 3/4" framed custom panels may be installed on trimmed models. The overlay panel is secured to a 1/4" finished backer panel. The assembled custom panel then slides into the trim with the same procedure described on page 33.

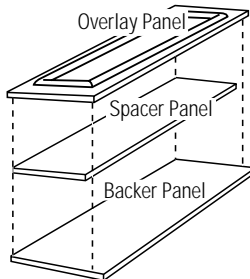
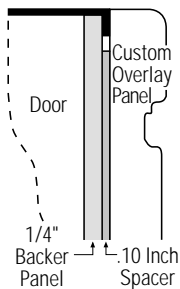


NOTE: Left-to-right offset is not equal to top-to-bottom offset.

$$.250 + .750 = 1.000 \text{ Maximum Total Panel Thickness}$$

3/4" FULL-WIDTH OVERLAY CUSTOM PANEL OPTION

This design provides a nearly trimless appearance. The full width overlay panel covers most of the door trim. In this design, a spacer panel must be installed between the finished backer and overlay panel.



NOTE: Left-to-right offset is not equal to top-to-bottom offset.

$$.250 + .10 + .750 = 1.100 \text{ Maximum Total Panel Thickness}$$

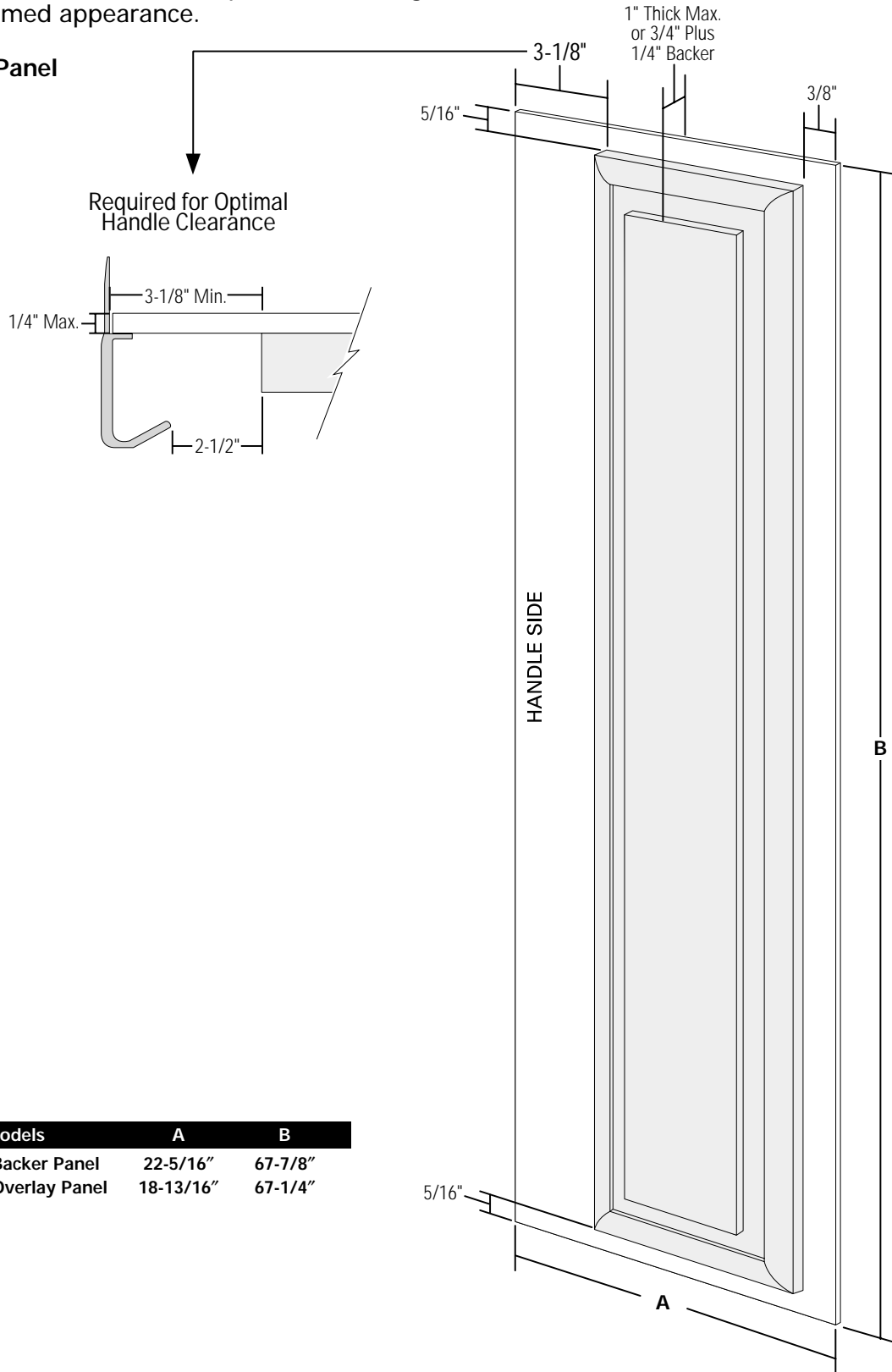
IMPORTANT NOTE: Maximum total weight for any assembled Fresh Food panel is 70 pounds and 30 pounds total for Freezer panels.

Installation Instructions

3/4" FRAMED CUSTOM WOOD PANELS

Secured to a 1/4" finished backer panel. This design provides a framed appearance.

Fresh Food Panel



42" Models	A	B
1/4" Backer Panel	22-5/16"	67-7/8"
3/4" Overlay Panel	18-13/16"	67-1/4"

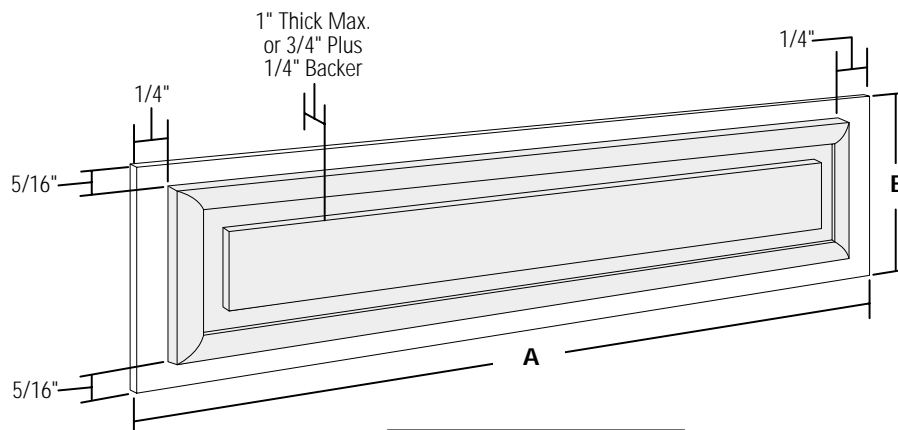
Installation Instructions

3/4" FRAMED CUSTOM WOOD PANELS

Secured to a 1/4" finished backer panel. This design provides a framed appearance.

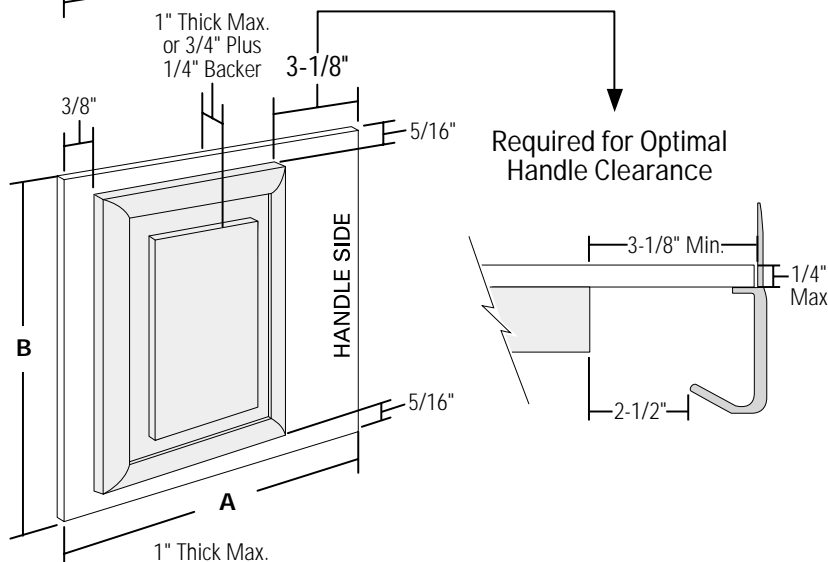
Grille Panel

42" Models	A	B
1/4" Backer Panel	39-15/16"	10-3/4"
3/4" Overlay Panel	39-7/16"	10-1/8"



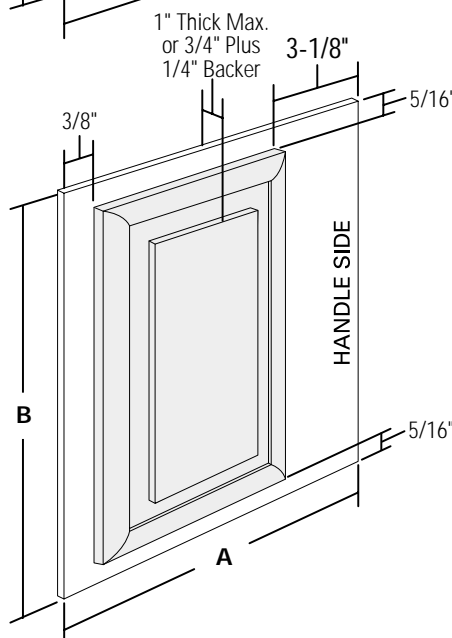
Upper Freezer Panel

42" Models	A	B
1/4" Backer Panel	16-7/16"	17-13/16"
3/4" Overlay Panel	12-15/16"	17-3/16"



Lower Freezer Panel

42" Models	A	B
1/4" Backer Panel	16-7/16"	35-1/8"
3/4" Overlay Panel	12-15/16"	34-1/2"



Installation Instructions

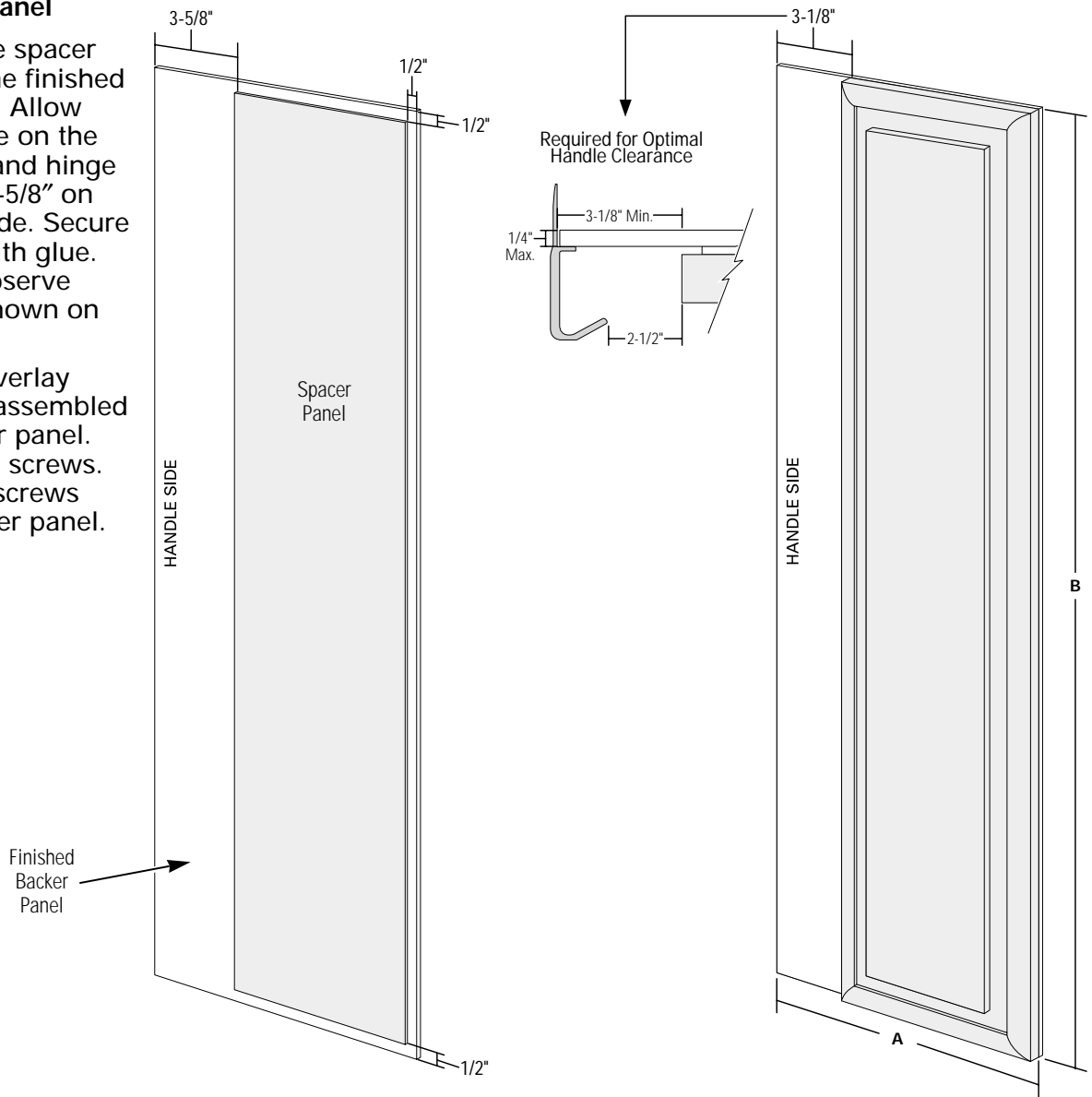
3/4" FULL-WIDTH OVERLAY CUSTOM PANELS

This panel design provides a nearly trimless appearance.

Fresh Food Panel

Assemble the spacer panel onto the finished backer panel. Allow 1/2" clearance on the top, bottom and hinge side. Allow 3-5/8" on the handle side. Secure the panels with glue. Be sure to observe clearances shown on all sides.

Secure the overlay panel to the assembled backer/spacer panel. Use glue and screws. Countersink screws into the backer panel.



42" Models	A	B
1/4" Backer Panel	22-5/16"	67-7/8"
0.10" Spacer Panel	18-3/16"	66-7/8"
3/4" Overlay Panel	19-5/16"	68-1/8"

Installation Instructions

3/4" FULL-WIDTH OVERLAY CUSTOM PANELS

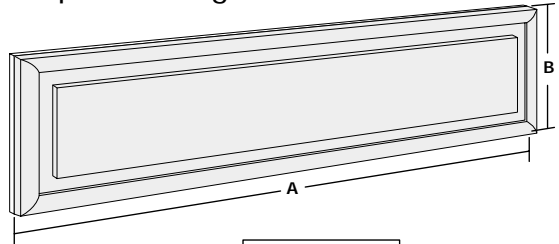
This panel design provides a nearly trimless appearance.

Assemble the spacer panel onto the backer panel. Allow 1/2" clearance on all four sides of the grille spacer panel. Allow 1/2" clearance on the top and hinge side, 15/16" on the bottom and 3-5/8" on the handle side of the upper freezer door panel. Allow 15/16" on the top, 1/2" clearance on the bottom and hinge side and 3-5/8" on the handle side of the lower freezer door panel. Secure the panels with glue. Be sure to observe clearances on all sides.

Secure the appearance panel to the assembled backer/spacer panel. Use glue and screws. Countersink screws into the backer panel.

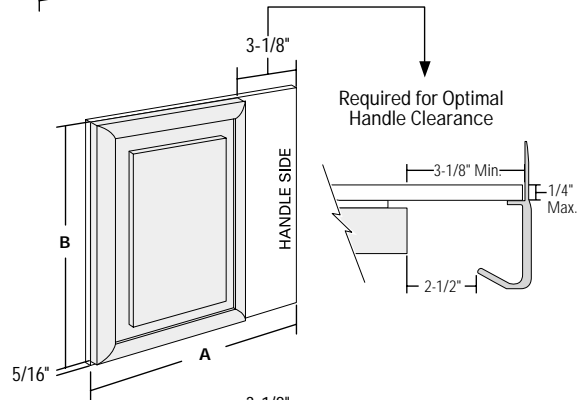
Grille Panel

42" Models	A	B
1/4" Backer Panel	39-15/16"	10-3/4"
0.10" Spacer Panel	38-15/16"	9-3/4"
3/4" Overlay Panel	40-3/16"	11"



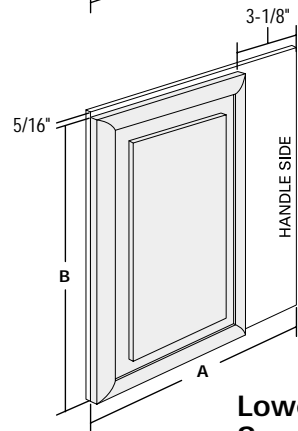
Upper Freezer Panel

42" Models	A	B
1/4" Backer Panel	16-7/16"	17-13/16"
0.10" Spacer Panel	12-5/16"	16-3/8"
3/4" Overlay Panel	13-7/16"	17-5/8"

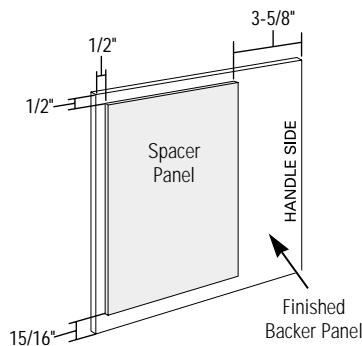


Lower Freezer Panel

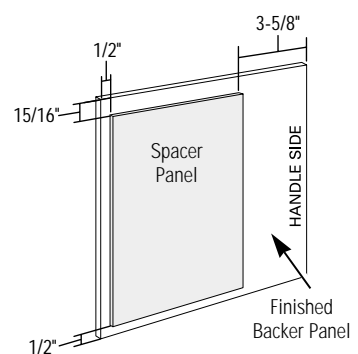
42" Models	A	B
1/4" Backer Panel	16-7/16"	35-1/8"
0.10" Spacer Panel	12-5/16"	33-11/16"
3/4" Overlay Panel	13-7/16"	34-15/16"



Upper Freezer Panel Spacer Assembly



Lower Freezer Panel Spacer Assembly

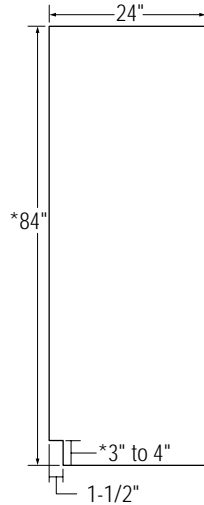


Installation Instructions

SIDE PANELS

Side panels (not supplied) must be used whenever the sides of the refrigerator will be exposed. The 1/4" side panels will slip into the side case trim. Order side panels from your cabinet manufacturer.

*Depending on installation height.



FLOORING

For proper installation, this refrigerator must be placed on a level surface of hard material that is at the same height as the rest of the flooring. This surface should be strong enough to support a fully loaded refrigerator, or approximately 1500 lb.

NOTE: Protect the finish of the flooring. Cut a large section of the cardboard carton and place under the refrigerator where you are working.

GROUNDING THE REFRIGERATOR

IMPORTANT—Please read carefully

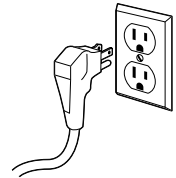
FOR PERSONAL SAFETY, THIS APPLIANCE MUST BE PROPERLY GROUNDING.

The power supply cord of this appliance is equipped with a three-prong (grounding) plug which mates with a standard three-prong (grounding) wall receptacle to minimize the possibility of electric shock hazard from this appliance.

Have the wall outlet and circuit checked by a qualified electrician to make sure the outlet is properly grounded.

Where a standard 2-prong wall outlet is encountered, it is your personal responsibility and obligation to have it replaced with a properly grounded 3-prong wall outlet.

DO NOT, UNDER ANY CIRCUMSTANCES, CUT OR REMOVE THE THIRD (GROUND) PRONG FROM THE POWER CORD.



DO NOT USE AN ADAPTER PLUG TO CONNECT THE REFRIGERATOR TO A 2-PRONG OUTLET.

DO NOT USE AN EXTENSION CORD WITH THIS APPLIANCE.

Installation Instructions

1 REMOVE PACKAGING

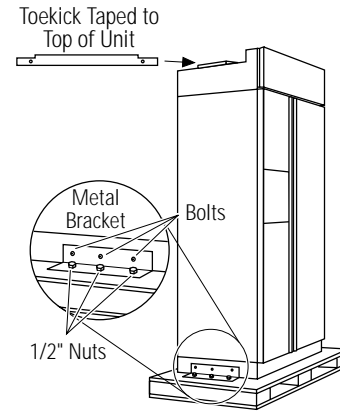
⚠ CAUTION: Refrigerator is **Top-Heavy**—be careful when moving. When using an appliance dolly, handle from Freezer side only.

- Carefully cut banding at the top and bottom; remove outer carton.
- Slide out rear corner posts (2).
- Slide carton off top of cabinet.

NOTE: DO NOT LAY CABINET DOWN IN ORDER TO REMOVE SKID!

- The unit is secured to the skid with six 7/16" bolts and six 1/2" nuts.
- Remove all six 7/16" bolts that secure metal brackets to the refrigerator.
- Remove the three 1/2" nuts and washers from the Freezer side.
- Remove nut from rear wood block on Freezer side.
- Tilt unit up on Freezer side toward Fresh Food side.
- Push bolts down, remove metal bracket from Freezer side. Remove wood block from Freezer side.
- Slide the appliance dolly underneath the Freezer side.
- Using corner posts (2 on front corners) to prevent damage, secure unit to appliance dolly.

NOTE: If corner posts are too long, cut the posts to a shorter length.



- Lift the unit off the skid with the appliance dolly.
- Remove toekick taped to the top of the unit.
- Set toekick aside for final installation.

⚠ CAUTION: DO NOT ATTEMPT TO ROLL OR DRAG UNTIL UNIT IS OFF SKID.

⚠ CAUTION: MAKE SURE THE WATER LINE IS CLEAR OF APPLIANCE DOLLY TO AVOID DAMAGE.

Installation Instructions

2 INSTALL WATER LINE

- A cold water supply is required for automatic icemaker operation. The water pressure must be between 40 and 120 psi.
- Route 1/4" O.D. copper tubing between cold water line and the water connection location.
- Tubing should be long enough to extend to the front of the refrigerator. Allow enough tubing to accommodate bend leading into the water line connection.

NOTE: Certain types of plastic may crack or rupture with age and cause water damage to your home.

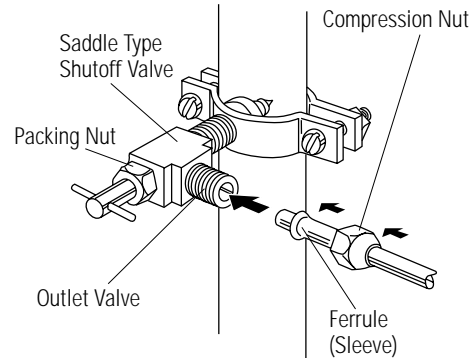
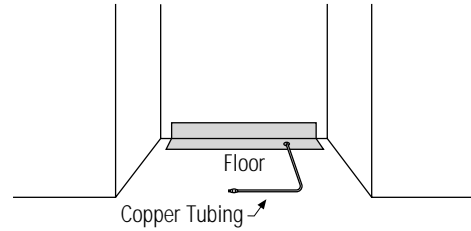
Shut off the main water supply.

Turn on the nearest faucet long enough to purge all the water from the line.

- Install a shutoff valve between the icemaker water valve and cold water pipe in a basement or cabinet. The shutoff valve should be located where it will be easily accessible.

NOTE: It is best to install the valve into a vertical water pipe. If you install the valve into a horizontal water pipe, make the connection at the top or side to avoid drawing off any sediment from the water pipe.

- Drill a 1/4" hole in the water pipe.
- Fasten the shutoff valve to the pipe with pipe clamp.
- Tighten the clamp screws until the sealing washer begins to swell. **Do not OVERTIGHTEN.**
- Place a compression nut and ferrule (sleeve) for copper tubing onto the end of the tubing and connect it to the shutoff valve. Make sure the tubing is fully inserted into the valve and ferrule is tightened.



- Turn on the main water supply and flush debris. Run about a quart of water through the tubing into a bucket. Shut off water supply at the shutoff valve.

NOTE: Saddle type shutoff valves are included in many water supply kits. Before purchasing, make sure a saddle type valve complies with your local plumbing codes.

NOTE: Commonwealth of Massachusetts Plumbing Codes 248CMR must be adhered to. Saddle valves are illegal and use is not permitted in Massachusetts. Consult with your licensed plumber.

Installation Instructions

3 INSTALL SIDE PANELS

SKIP THIS STEP WHEN NOT USING SIDE PANELS

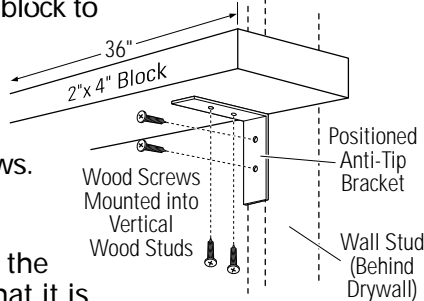
If you are using 1/4" side panels, they should be inserted into the case trim. Fasten the panels to the refrigerator with the 3M Dual Lock adhesive strips before setting refrigerator in place.

4 INSTALL ANTI-TIP BRACKETS

⚠ WARNING: ANTI-TIP PRECAUTIONS

The refrigerator is **Top-Heavy** and must be secured to prevent the possibility of tipping forward.

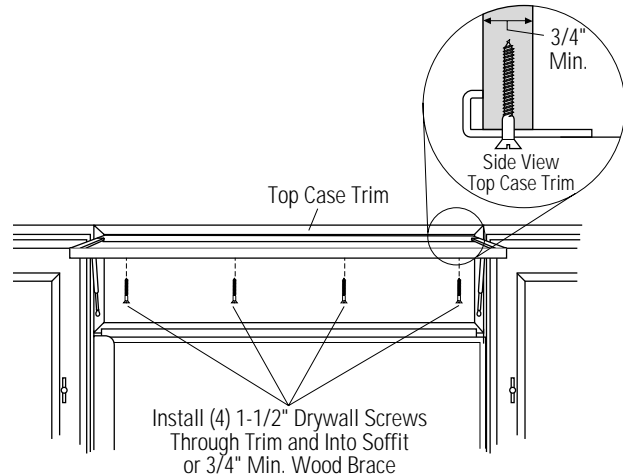
- Cut a 2" x 4" wood block 36" long, and secure the block to the mounting brackets provided, using #12 or #14 wood screws.
- Secure the brackets with wood block to the back wall so that it is 82" (or the rear installation height) from the finished floor. Use #12 or #14 wood screws.
- Screws must penetrate at least 1" into vertical wall studs.



4A ALTERNATE ANTI-TIP PRECAUTIONS

SKIP THIS STEP WHEN USING ANTI-TIP BRACKETS

All Profile built-in refrigerators are **Top-Heavy**. They must be secured to prevent the possibility of tipping forward. Use this alternative method to secure the refrigerator whenever steel wall studs are encountered.

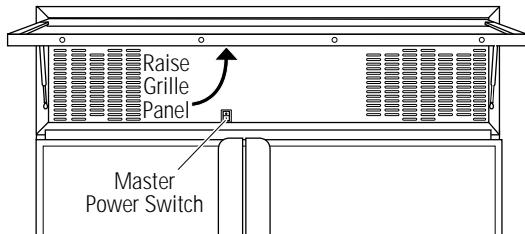


- Adjust height of refrigerator to match installation cutout opening 83-1/2" to 84-1/2". The refrigerator must be level and plumb with cabinets. The top case trim at the front is 2-1/8" higher than the rear and will overlap upper cabinets or cabinet trim.
- Open grille panel to access the top case trim.
- Use a 3/16" bit to drill 4 evenly spaced clearance holes through the metal top case trim.
- Use a 1/16" bit to drill pilot holes through the metal clearance holes and into wood soffit. The holes should be centered in the soffit or a 3/4" minimum wood brace. The brace spanning the enclosure must be securely fastened to cabinets on both sides.
- Install four 1-1/2" drywall screws into the pilot holes.

Installation Instructions

5 CONNECT POWER

- Connect refrigerator power cord plug to a properly grounded receptacle. Set the **Master Power** switch to the **I (ON)** position.



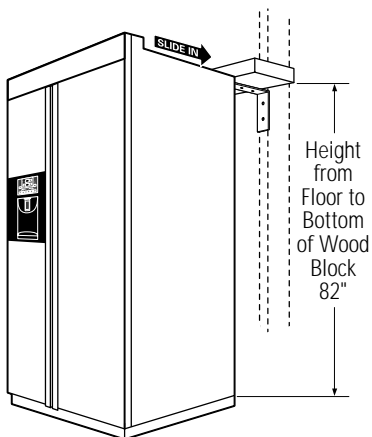
- Check to make sure power to refrigerator is on by opening refrigerator door to see if interior lights are on.

⚠ CAUTION:

- After power has been established, turn the **Master Power** switch to the **O (OFF)** position.

6 MOVE INTO INSTALLATION SPACE

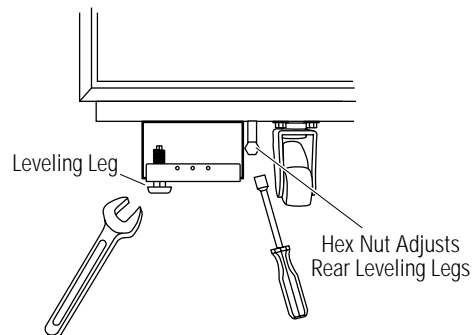
- Slide the unit into the installation space.
- Place excess slack in the power cord on top of the refrigerator.
- Use care to ensure the power cord is not pinched behind the unit.



7 LEVEL REFRIGERATOR

All models have 4-point leveling. The front and back are supported by leveling legs. Both are accessible from the front of the refrigerator.

- To level the back of the refrigerator, turn the 1/2" hex nut located above the front wheels. Turn clockwise to raise or counterclockwise to lower the refrigerator.
- For front leveling, use a 7/16" open-end wrench.
- Adjust height of refrigerator to match installation cutout opening 83-1/2" to 84-1/2". The refrigerator should be level and plumb with cabinets.



IMPORTANT NOTE: The refrigerator must be level. If it is not, the doors may not align evenly at the top. See Step 16.

⚠ CAUTION:

The rear leveling legs and front leveling legs are limited to a maximum height adjustment of 1". If the installation requires more than 84-1/2" height, the installer should elevate the refrigerator on a sheet of plywood or runners. Cabinet trim could be added across the top of the opening to shorten the opening. **If you attempt to raise the refrigerator more than 1", you will damage the front and rear leveling legs.**

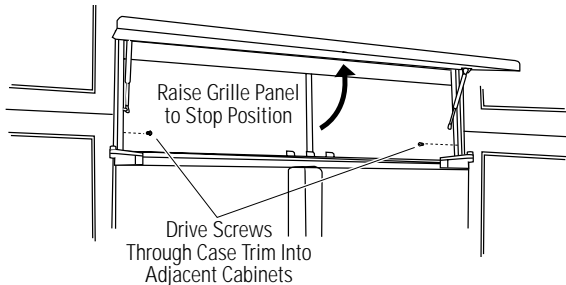
Installation Instructions

8 SECURE REFRIGERATOR TO CABINETS

Whenever possible, perform this step for anti-tip security.

The refrigerator must be secured to prevent tipping.

- Raise the grille panel to access case trim.
- Drive a screw through the trim and into the adjacent cabinet using holes provided.
- Follow the same procedure on the opposite side.

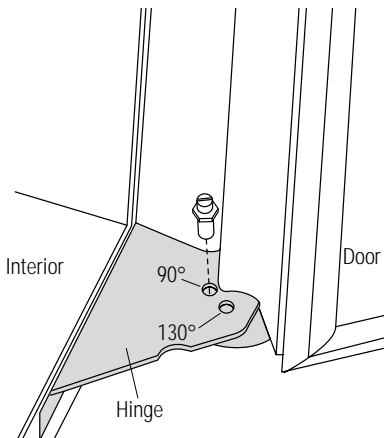


9 ADJUST DOOR SWING

NOTE: This refrigerator has a 2-position door stop. When space does not allow the door to swing open fully to 130°, you may change the door swing to a 90° opening.

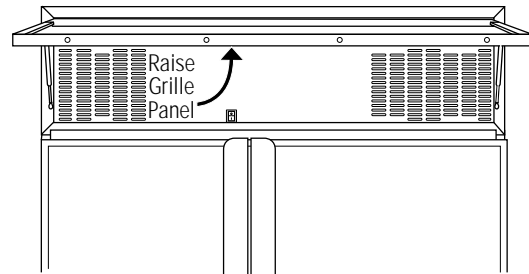
SKIP THIS STEP IF DOOR OPENING IS SATISFACTORY FOR YOUR INSTALLATION SITUATION.

- Open the door to view the bottom hinge. Note the door stop pin location. The pin is factory installed in the 130° position.
- Partially close the door. From above, use a flat-head screwdriver to unscrew the door stop pin and reinstall into the 90° position.

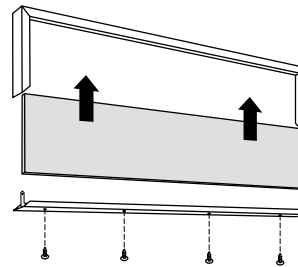


10 INSTALL GRILLE PANEL

- Raise the grille panel to the stop position.



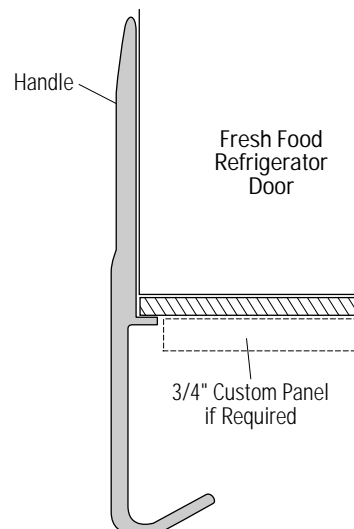
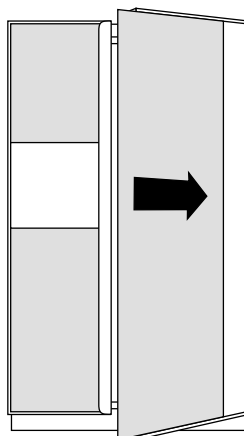
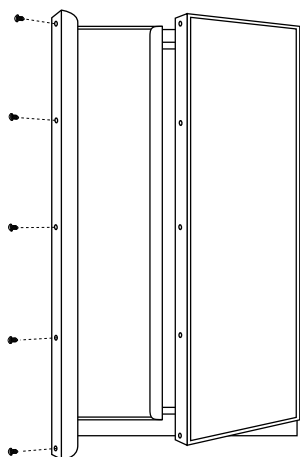
- Remove 4 screws on bottom trim; retain all screws.
- Remove bottom trim.
- **NOTE:** Stainless steel and acrylic panels are covered with a protective film. Remove the film before installing the panel.
- Slide panel over the metal backer panel and under the trim.



- If necessary, tap with a wood block until panel slips under the top trim piece.
- Reassemble bottom trim. Tighten screws.

Installation Instructions

11A INSTALL DOOR PANELS ON TRIMMED MODELS



Install 1/4" Decorative Panels:

• Remove Handles

Open door to 90°. Remove 5 Phillips head screws from the Fresh Food and Freezer door handles; retain all screws. Lift off door handles.

• Install Door Panels

NOTE: Stainless steel and acrylic panels are covered with a protective film. Remove the film before installing the panel. Carefully push the Fresh Food panel in until it slides into the slot behind the trim. Gently push to opposite side. Repeat procedure for upper and lower Freezer panels.

• Reinstall Handles

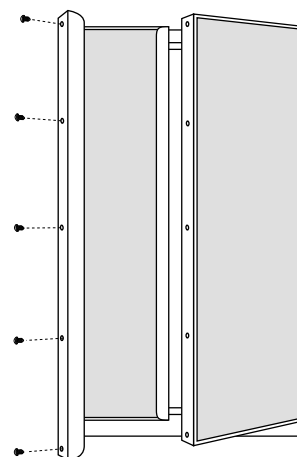
Reinstall Fresh Food door handle with the original 5 Phillips head screws. Tighten. Repeat for Freezer door handle.

NOTE: Ensure that the edge of the handle does not pinch the door gasket.

• 3/4" Custom Decorative Panels

If you choose to install custom wood panels, they must be cut to dimensions shown on pages 23–26. The panels will slide into the frame on the doors and grille.

IMPORTANT NOTE: Maximum custom panel thickness must not exceed 1-1/8" thick and 70 lb for Fresh Food door, 30 lb total for Freezer door and 15 lb for Grille panel.



Installation Instructions

11B INSTALL DOOR HANDLES ON STAINLESS STEEL MODELS

1. Remove handles from cartoning and any other protective packaging.
2. Place handle over pre-installed shoulder bolts (A) that are fastened into door in four locations.
3. While supporting handle and looking at upper end cap, fasten top-most allen set screw (B) with supplied allen wrench, then fasten bottom allen set screw (C). See Figure 1.
4. Repeat Step 3 with bottom end cap using allen set screws (D and E), once upper section of handle is firmly secured to door. See Figure 2.
5. All set screws should be tightened and sub-flush (allen set screw should be buried just below the surface of the end cap) of handle end cap. The end caps should be drawn tight to freezer and refrigerator doors with no gaps.

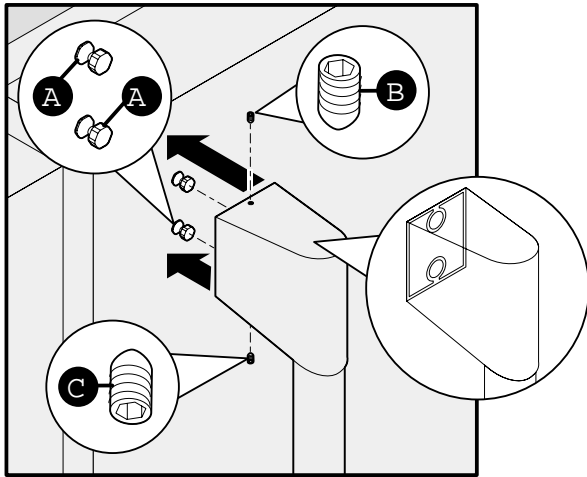


Figure 1
Upper End Cap

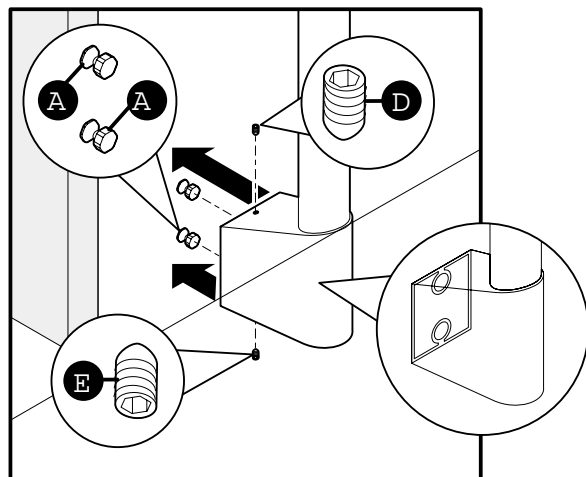
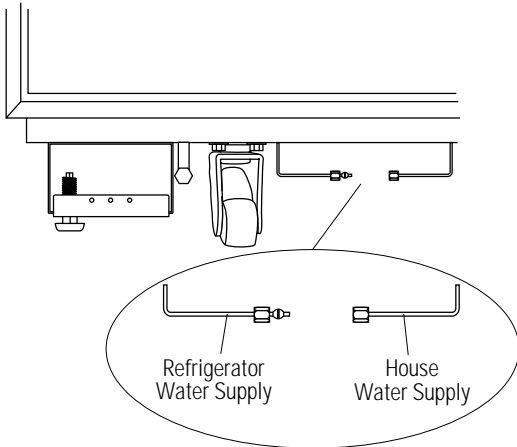


Figure 2
Bottom End Cap

Installation Instructions

12 CONNECT WATER SUPPLY

Check to make sure that Master Power switch is in the O (OFF) position.



- Locate and bring tubing to the front of the cabinet.
- Turn the water on to flush debris from line. Run about a quart of water through tubing into a bucket, then shut off water.

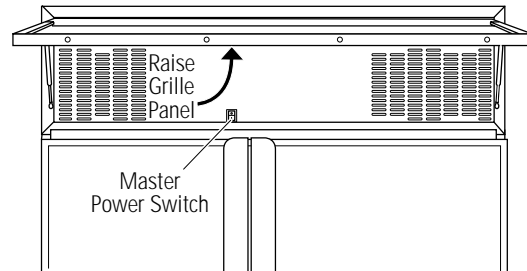
Copper Tubing

- Slip a 1/4" nut and ferrule onto end of copper tubing. Insert tube into the union fitting on the unit and tighten nut to union.
- Turn on the water to check for leaks.

Note: Make sure excess tubing length does not interfere with toekick installation.

13 TURN ON THE POWER

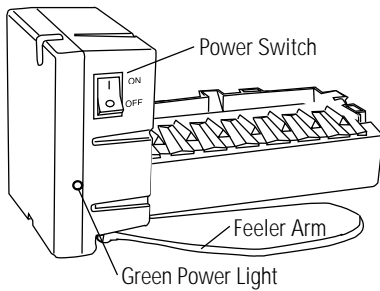
- Set the Master Power switch to the I (ON) position.
- Check to make sure power to refrigerator is on by opening refrigerator door to see if interior lights are on.



- The temperature controls are preset at 37° for the Fresh Food section and 0° for the Freezer section.
- Allow 24 hours to stabilize before making adjustments.
- Dispense water for 2 minutes to remove trapped air from the water system.

Installation Instructions

14 START ICEMAKER



- Flip the switch to **I (ON)**. The icemaker will begin operation automatically.
- Make sure nothing interferes with the sweep of the feeler arm.
- Discard the first full bucket of ice cubes.
- To turn the icemaker off, set the switch to **O (OFF)**.

15 INSTALL TOEKICK

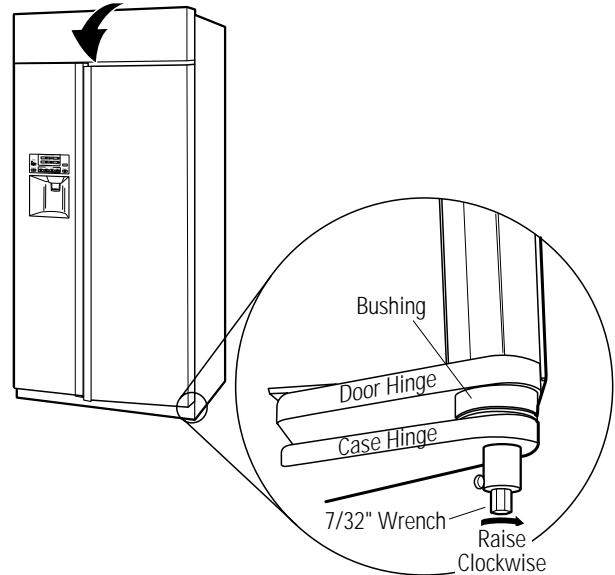
- Locate the supplied toekick (shipped taped to the top of the refrigerator). Install with 2 screws provided.



- The vented toekick must remain unobstructed for proper air flow.

16 DOOR ALIGNMENT

- Stand back from the refrigerator to inspect the door alignment.
- Shipping or the addition of heavy door panels may have caused the doors to move slightly out of alignment.



- If necessary, the Fresh Food door may be adjusted up or down to align with the Freezer door.
- Loosen the leveling mechanism.
- Use a 7/32" wrench to adjust the hinge pin as shown.
- Tighten the leveling mechanism.

IMPORTANT NOTE: After the unit has been leveled, if the fresh food door is higher than the freezer door, adjust the front right leveling leg lower to align the doors and, if required, raise the left leveling leg to level the unit side to side.