

AeroLift 50/150

Specifications—AeroLift 50/150

AeroLift 50/ 150 video projector lifts. Maximum capacity 50/ 150 lbs. (including projector, bracket, closure and ceiling material attached to closure). Electrically operated 110-120V, 60 Hz. 3-wire motor, instantly reversible, lifetime lubricated, with internal thermal overload protector and brake. UL approved motor. Designed to be ceiling recessed or surface mounted. Lift to have scissor arm for stabilization. Factory set limit switches automatically stop travel at open and closed positions. Three-position, 110-120V switch to stop or reverse cycle at any point. Maximum vertical drop to be 32". Net weight: AeroLift 50, 28 lbs.; AeroLift 150, 32 lbs.

Options (select as needed):

Optional Environmental Air Space Housing: Aluminum and steel, for use in return Environmental Air Space situations. For AeroLift 50/ 150. Net wt: AeroLift 50, 95½ lbs.; AeroLift 150, 139 lbs. Includes trim ring for ceiling opening.

Optional Ceiling closure panel: Finished in white baked textured powder coat, shall descend smoothly with projector. For AeroLift 50/ 150.

Optional Ceiling Finish Kit: Finished white. Trims ceiling opening when required. Consists of trim frame and closure panel. For AeroLift 50/ 150.

Optional Ceiling Access Door: Provides ceiling access when unit is installed above hard ceiling and access to projector is not convenient. White painted finish.

Optional Universal Projector Mount: Fits most projectors up to 26 lbs. Tilt, yaw and pan adjustment.

Optional Video Conferencing Camera Adapter Bracket: Enables installation of a video conferencing camera in AeroLift 50 only. Available in two sizes (Dimensions 7½" x 9" x 7½" or 9" x 12" x 9"). Special brackets available for oversize or dual camera installation.

Please Note: The AeroLift 50 or 150 should be specified in conjunction with a Draper video format motorized screen.

Specifications subject to change without notice.

Please Mark Appropriate Selections

Select AeroLift Model

- AeroLift 50
 AeroLift 150

Select Optional Accessories

- Optional Environmental Air Space Housing: Optional ceiling closure panel not included. Includes trim ring for ceiling opening.
- For AeroLift 50
 For AeroLift 150
- Optional ceiling closure panel
 For AeroLift 50
 For AeroLift 150
- Optional ceiling finish kit (ceiling closure panel and trim frame)
 For AeroLift 50
 For AeroLift 150
- Optional ceiling access door to facilitate easier projector access
 Ceiling access door, white painted finish
 Ceiling access door, accepts ceiling tile
- Optional Universal Projector Mount
- Optional Video Conferencing Camera Adapter Bracket
 Small (9" w. x 7½" h. x 7½" d.)
 Large (12" w. x 9" h. x 9" d.)
 Custom for oversize or dual cameras

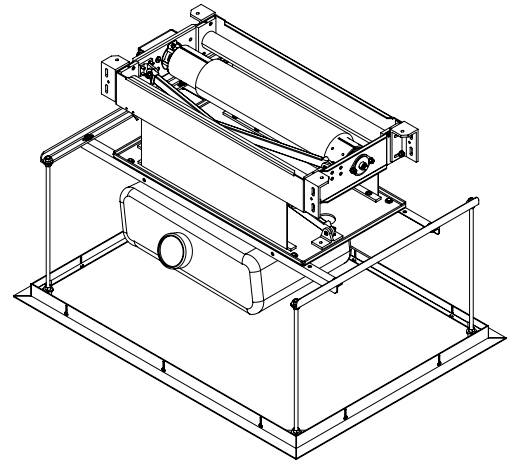
Control Options:

Please Note: This Draper motorized lift comes with one 110V-120V AC 3-position wall switch (silver wall plate with black rocker).

- Total number of 110-120V AC switches (switches operate independently)
- Substitute white switch(es) for silver wall plate with black rocker
- Optional Lift Low Voltage Control module (Lift LVC)
 24 Volt 3-Button Switch How many switches? _____
 Radio Frequency Remote Control (only with 24V)
 Infrared Remote Control (only with 24V)
- Optional Key Operated Switch
 Power Supply Key Switch (On-off)
 3-Position Key Control
 3-Position Switch with Hinged Key-Locking Coverplate
- Optional Video Interface Control
 VIC-115 (not compatible with Lift LVC) Override Switch
 VIC-12 (not compatible with Lift LVC) Override Switch
 VIC-6 (not compatible with Lift LVC) Override Switch



Video Projector Lift with Small Footprint



Dimensions & Data	AeroLift 50	AeroLift 150
Height of lift in closed position ¹	6"	6"
Maximum overall lift dimensions (W x L)	28¼" x 15"	31¼" x 15 ⁷ / ₈ "
Ceiling opening (with closure)	29½" x 29½"	29" x 39½"
Optional Env. Air Space Housing (W x L)	30¼" x 29 ⁷ / ₁₆ "	30¼" x 39 ⁵ / ₈ "
Max. projector size (W x L) ²	20" x 25" x h.	24¾" x 35" x h.
Max. down travel	38½"	38½"
Approx. travel time to lowest position	23 sec.	23 sec.
Total capacity (lbs.) ³	65	150
Net weight of lift (lbs.) ⁴	28	32
Amperes	1.2	1.2

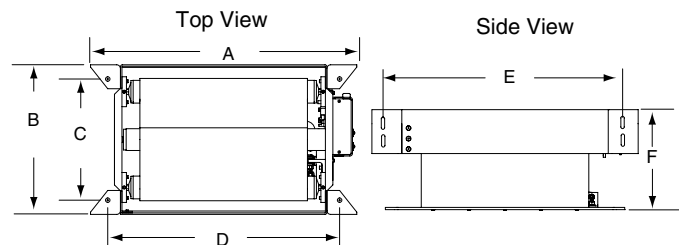
¹ Not including projector, bracket, plenum or closure.

² AeroLift 50 Max. available projector/mount height (with EAS Housing): 18½".
 AeroLift 50 Min. available projector/mount height (with EAS Housing): 16½".
 AeroLift 150 Max. available projector/mount height (with EAS Housing): 20½".
 AeroLift 150 Min. available projector/mount height (with EAS Housing): 18½".

³ AeroLift 50 closure & angle brackets weigh 7.5 lbs. AeroLift 150 closure & angle brackets weigh 10 lbs.

⁴ Unit Only: Does Not include projector, bracket, EAS Housing or closure.

AeroLift 50/150—Dimensions



Lift	A	B	C	D	E	F
AeroLift 50	28¼"	15"-13½"	10¾"-12¼"	26½"	26¾"	6"-44½"
AeroLift 150	31¼"	14 ³ / ₈ "-17 ⁷ / ₈ "	11 ⁵ / ₈ "-13 ¹ / ₈ "	29½"	29¾"	6"-44½"

PROJECT: _____

ARCHITECT: _____

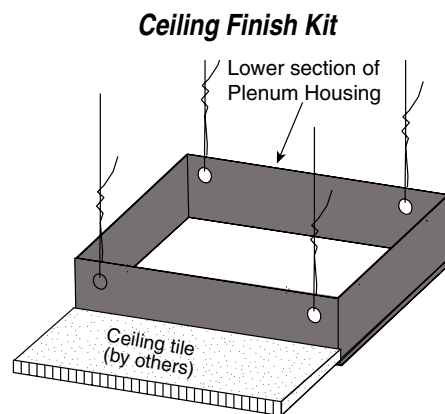
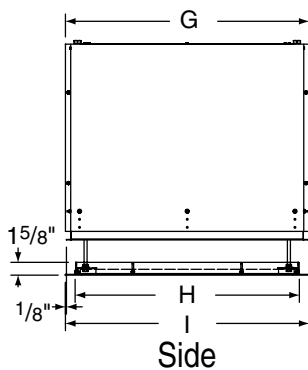
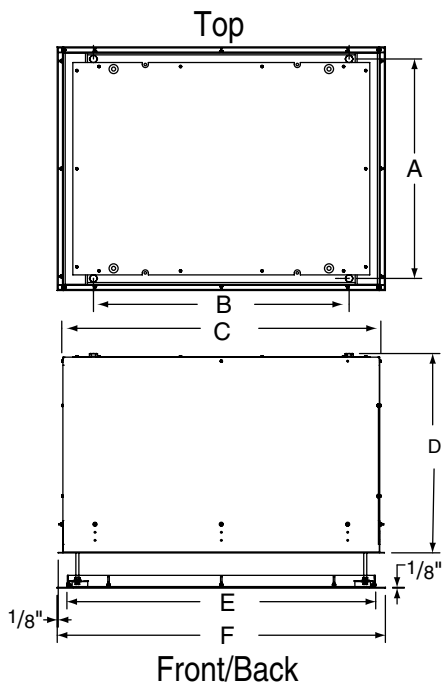
CONTRACTOR: _____

SUPPLIER: _____

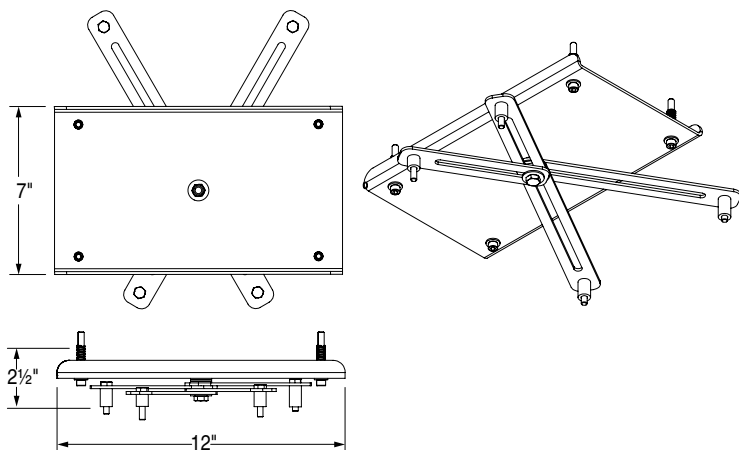
DATE: _____ REVISED: _____

Dimensions—AeroLift 50/150 with Environmental Air Space Housing and Closure

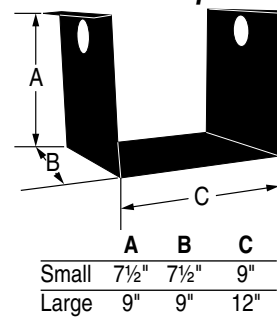
Lift	A	B	C	D	E	F	G	H	I
AeroLift 50	27½"	25 ¹⁵ / ₁₆ "	30¼"	16"-36 ⁵ / ₈ "	28 ³ / ₁₆ "	30¼"	30 ⁹ / ₁₆ "	28 ⁷ / ₃₂ "	30¼"
AeroLift 150	27¼"	31¼"	39 ⁵ / ₈ "	16"-36 ⁵ / ₈ "	38 ³ / ₈ "	40 ³ / ₄ "	30¼"	27 ⁷ / ₈ "	30¼"



Optional Universal Mounting Bracket



Optional Video Conferencing Camera Adapter



Low Voltage Lift Control

Lift LVC — AeroLift 50/150 Wiring Diagram

