

# AeroLift 25

## Specifications—AeroLift 25

AeroLift 25 video projector lifts. Maximum capacity 35 lbs. (including projector, bracket, closure and ceiling material attached to closure). Electrically operated 110-120V, 60 Hz. 3-wire motor, instantly reversible, lifetime lubricated, with internal thermal overload protector and brake. UL approved motor. Designed to be ceiling recessed or surface mounted to fit within a standard 2" x 10" beam, 16" on center, ceiling joist pocket. Lift to have scissor arm for stabilization. Factory set limit switches automatically stop travel at open and closed positions. Three-position, 110-120V switch to stop or reverse cycle at any point. Maximum vertical drop to be 20". Net weight 20 lbs.

### Options (select as needed):

**Optional Environmental Air Space housing:** Aluminum and steel, for use in environmental air space. Choose from two sizes: [Small (14<sup>9</sup>/<sub>16</sub>" x 23<sup>7</sup>/<sub>8</sub>") Net weight 95<sup>1</sup>/<sub>2</sub> lbs] and [Large (23<sup>1</sup>/<sub>2</sub>" x 23<sup>1</sup>/<sub>2</sub>") Net weight 139 lbs]. Includes trim ring for ceiling opening.

**Ceiling closure panel:** Finished in white baked textured powder coat, shall descend smoothly with projector. Choose from two sizes: Choose from two sizes (trim edge to trim edge): [Small (15<sup>5</sup>/<sub>8</sub>" x 25") and [Large (25" x 25")]. Small closure weighs 7.5 lbs; large closure and angle brackets weigh 10 lbs.

**Ceiling Finish Kit:** Finished white. Trims ceiling opening when required. Choose from two sizes: [Small] and [Large]. Consists of trim ring and closure panel.

**Ceiling access door** provides ceiling access when unit is installed above hard ceiling and access to projector is not convenient.

**Optional Universal Projector Mount:** Fits most projectors up to 26 lbs. Tilt, yaw and pan adjustment.

**Optional Video Conferencing Camera Adapter Bracket:** Enables installation of a video conferencing camera in AeroLift 25. Available in two sizes (Dimensions 7<sup>1</sup>/<sub>2</sub>" x 9" x 7<sup>1</sup>/<sub>2</sub>" or 9" x 12" x 9"). Special brackets available for oversize or dual camera installation.

*Please Note: The AeroLift 25 should be specified in conjunction with a Draper video format motorized screen. Specifications subject to change without notice.*

### Please Mark Appropriate Selections

#### Select Optional Accessories

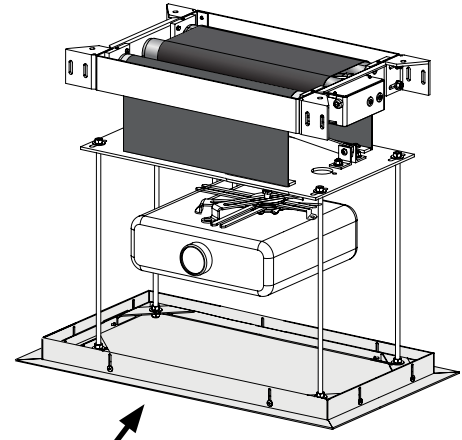
- Optional Environmental Air Space Housing: Optional ceiling closure panel not included
  - Small
  - Large
- Optional ceiling closure panel
  - Small
  - Large
- Optional ceiling finish kit (closure panel and trim ring)
  - Small
  - Large
- Optional ceiling access door to facilitate easier projector access
  - Ceiling access door, white painted finish
  - Ceiling access door, accepts ceiling tile
- Optional Universal Projector Mount
- Optional Video Conferencing Camera Adapter Bracket
  - Small (9" w. x 7<sup>1</sup>/<sub>2</sub>" h. x 7<sup>1</sup>/<sub>2</sub>" d.)
  - Large (12" w. x 9" h. x 9" d.)
  - Custom for oversize or dual cameras

#### Control Options:

*Please Note: This Draper motorized lift comes with one 110V-120V AC 3-position wall switch (silver wall plate with black rocker).*

- Total number of 110-120V AC switches ( switches operate independently)
- Substitute white switch(es) for silver wall plate with black rocker
- Optional Lift Low Voltage Control Module
  - 24 Volt 3-Button Switch      How many switches? \_\_\_\_\_
  - Radio Frequency Remote Control (only with 24V)
  - Infrared Remote Control (only with 24V)
- Optional Key Operated Switch
  - Power Supply Key Switch (On-off)
  - 3-Position Key Control
  - 3-Position Switch with Hinged Key-Locking Coverplate
- Optional Video Interface Control
  - VIC-115
  - VIC-12
  - VIC-6
- Override Switch
- Override Switch
- Override Switch

## Video Projector Lift with Small Footprint



AeroLift 25 shown with mounting bracket (by others) and optional closure.

Dimensions & Data	Small	Large
	Closure	Closure
Height of lift in closed position <sup>1</sup>	4"	4"
Maximum Overall lift dimensions (WxL)	22 <sup>1</sup> / <sub>4</sub> " x 14"	22 <sup>1</sup> / <sub>4</sub> " x 14"
Ceiling opening (with closure)	23 <sup>1</sup> / <sub>2</sub> " x 14 <sup>3</sup> / <sub>8</sub> "	23 <sup>1</sup> / <sub>2</sub> " x 23 <sup>1</sup> / <sub>2</sub> "
Optional Env. Air Space Housing (WxL)	23 <sup>7</sup> / <sub>8</sub> " x 14 <sup>9</sup> / <sub>16</sub> "	23 <sup>7</sup> / <sub>8</sub> " x 23 <sup>7</sup> / <sub>8</sub> "
Max. projector size (with closure) (WxL) <sup>3</sup>	8 <sup>3</sup> / <sub>4</sub> " x 18"	20" x 20"
Max. down travel	24 <sup>1</sup> / <sub>2</sub> "	24 <sup>1</sup> / <sub>2</sub> "
Approx. travel time to lowest position	14 sec.	14 sec.
Total Capacity (lbs.) <sup>4</sup>	35	35
Net weight of lift (lbs.) <sup>5</sup>	20	20
Amperes	1.2	1.2

<sup>1</sup> Not including projector, mount or closure.

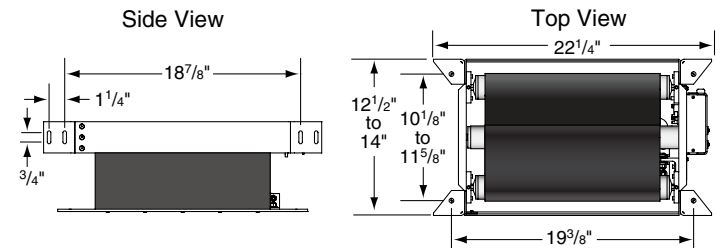
<sup>2</sup> Maximum Env. Air Space Housing Height: 20<sup>5</sup>/<sub>8</sub>". Min. Env. Air Space Housing Height: 12<sup>5</sup>/<sub>8</sub>".

<sup>3</sup> Maximum Available Projector/Bracket Height (with Env. Air Space Housing): 15<sup>3</sup>/<sub>4</sub>" Minimum Available Projector/Bracket Height (with Env. Air Space Housing): 7<sup>3</sup>/<sub>4</sub>"

<sup>4</sup> Small Closure weighs 7.5 lbs. Large Closure & Angle Brackets weigh 10 lbs.

<sup>5</sup> Unit Only: Does not include projector, mount, Env. Air Space Housing or closure.

### AeroLift 25—Dimensions



PROJECT: \_\_\_\_\_

ARCHITECT: \_\_\_\_\_

CONTRACTOR: \_\_\_\_\_

SUPPLIER: \_\_\_\_\_

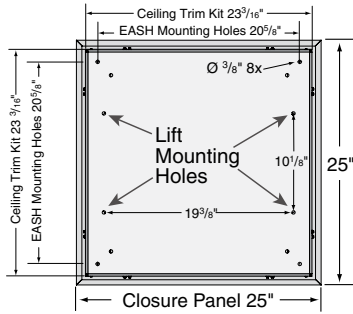
DATE: \_\_\_\_\_ REVISED: \_\_\_\_\_



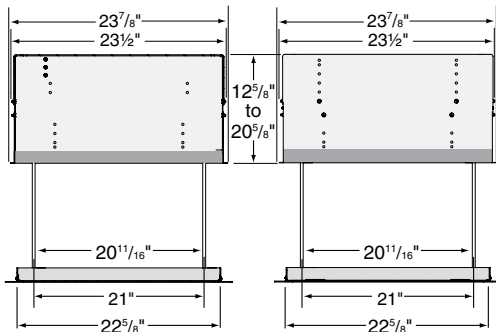
411 S. Pearl St., Spiceland, IN 47385 USA ■ 765-987-7999  
www.draperinc.com ■ fax 765-987-7142

Copyright © 2016 Draper Inc. Form AeroLift25\_Sub16 Printed in U.S.A.

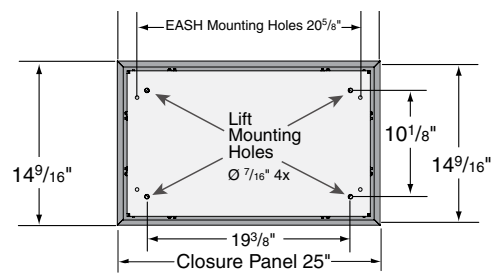
## Dimensions—AeroLift 25 with MPL Environmental Air Space and Closure



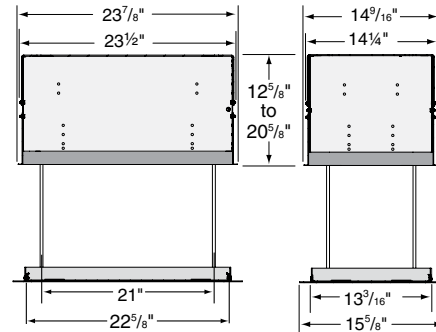
Lipless Closure Dims: 22 1/8" x 22 1/8"



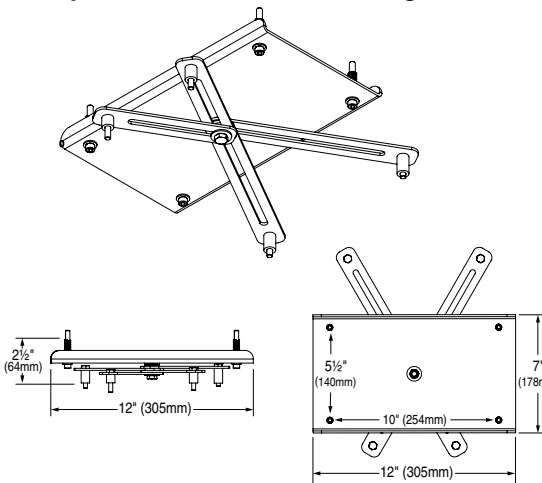
## Dimensions—AeroLift 25 with Small Environmental Air Space and Closure



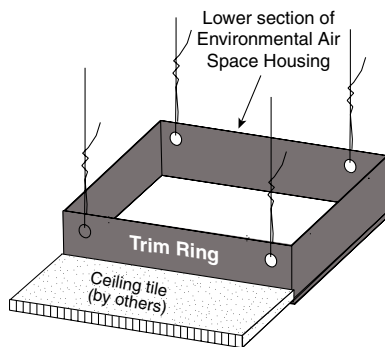
Lipless Closure Dims: 22 1/8" x 12 1/8"



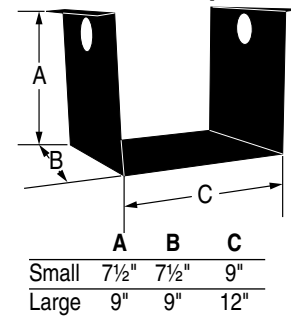
## Optional Universal Mounting Bracket



## Ceiling Finish Kit



## Optional Video Conferencing Camera Adapter



## Low Voltage Lift Control Lift LVC — AeroLift 25 Wiring Diagram

