

W o n - D o o r C o r p o r a t i o n

# DuraSound DuraFlex



A c c o r d i o n - T y p e F o l d i n g P a r t i t i o n s



# DuraSound™ and DuraFlex™

**DuraSound and DuraFlex perform multiple functions, cost less to install and maintain, and last years longer than any other folding partition.**



Won-Door's two track accordion type folding doors have very little in common with the traditional single track, pantograph style fabric covered doors.

They divide and separate space just as effectively – and even more beautifully – while providing superior insulation and durability. Won-Door's unique design allows them to span curved openings as well as virtually unlimited heights and widths.

## **Durability**

Each Won-Door steel panel is corrugated for extra strength. Surface colors and vinyl finishes are permanently bonded. The result is a partition that is dent, ding and scratch resistant.

DuraSound partitions operate on a two-track system with no internal parts to damage. The air space between the two walls creates an effective cushion against even the most severe blows, allowing it to withstand a tremendous amount of abuse without showing a mark or scratch.

Won-Door partitions are built to last as long as the buildings in which they are installed!

## **In-Place Repairability**

Only the Won-Door-designed partition is easily repairable in place. With simple tools and no training, in-house maintenance people can quickly repair any damaged parts by simply removing and replacing any single panel, hinge or roller.

A repair section of track is provided to insure that panel sections can be removed and

replaced without disturbing the rest of the partition.

## **Smooth, Effortless Operation**

Weighing only 4.2 pounds per square foot, the dual-wall DuraSound model is lighter than other partitions. Because a pin and roller suspend every panel, instead of every four as with most competitive products, operation is smooth and virtually effortless.

## **The Most Cost Effective**

The cost of any partition is not the purchase price, but the total cost over its effective lifetime. Won-Door folding partitions outperform and outlast other folding doors, while costing the same or even less. DuraSound and DuraFlex products perform multiple functions, cost less to install and maintain, and last years longer than any other folding partition.

## **Easy Installation**

Won-Door folding partitions are delivered in manageable sections and can always be installed by factory-trained personnel. No special equipment is required.

## **Colors and Finishes**

Won-Door's durable, vinyl-clad folding partitions are available in a wide variety of colors and simulated wood grain finishes. A Won-Door representative can provide you with a complete selection chart.

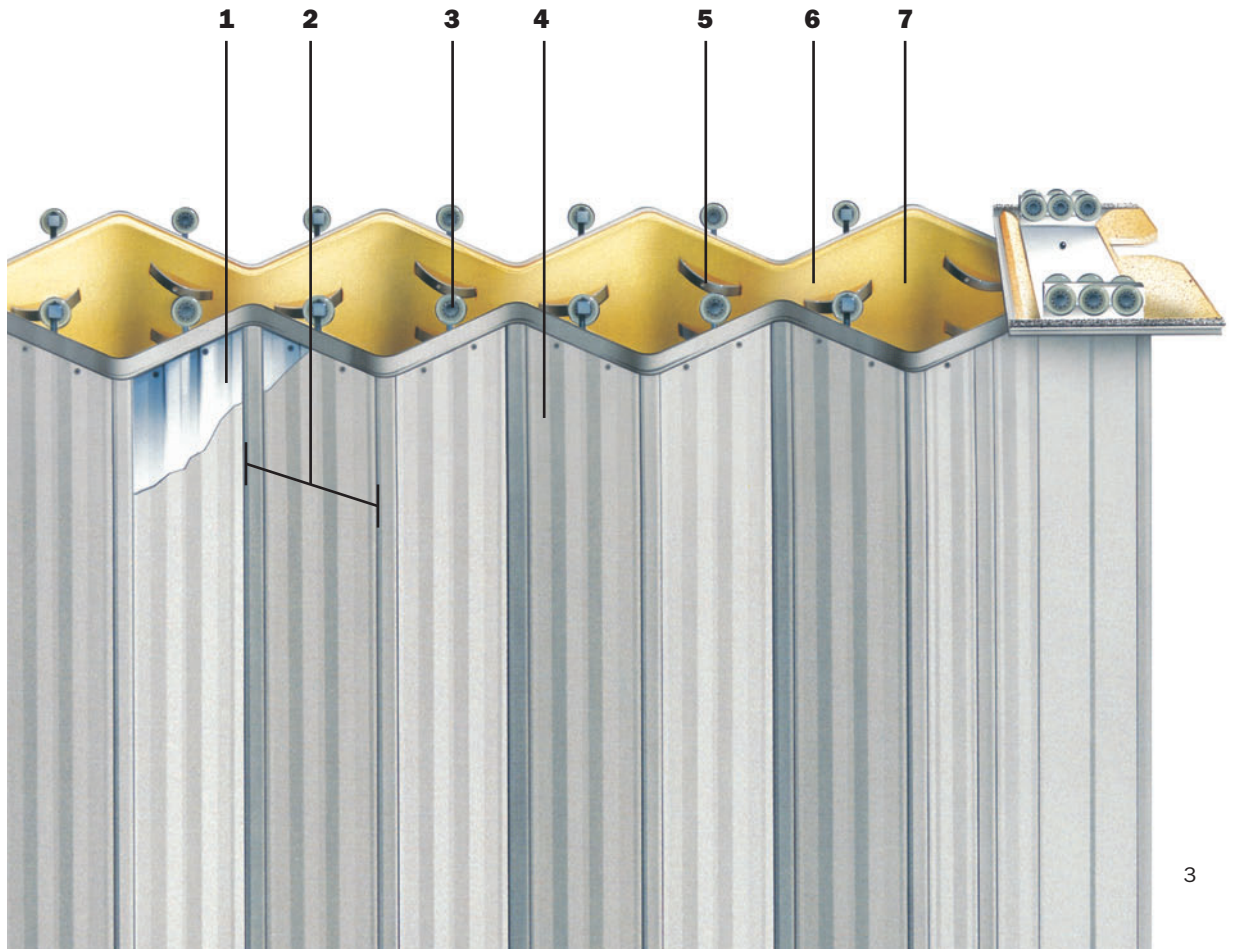
**For information about the entire product line, call toll free, 800-453-8494, or visit our web site at [www.wondoor.com](http://www.wondoor.com)**

**Because a pin and roller suspend every panel – instead of every four as with most competitive products – operation is almost effortless.**



## CONSTRUCTION

- 1 Vinyl surface is permanently fused to the steel through heat and pressure bonding.
- 2 Modular construction means simple, in-place repairability.
- 3 Each panel is individually supported by its own pin and roller.
- 4 Individual panels are constructed of corrugated steel for maximum strength.
- 5 Liner clip system.
- 6 No internal connections.
- 7 Dramatically effective continuous blanket liner.



**Weighing only 4.2 pounds per square foot, the dual-wall DuraSound model is lighter than other partitions.**



## SPECIFICATIONS

### General Conditions

1. Furnish and install accordion folding partitions as indicated on architectural drawings.
2. Complete shop drawings shall be provided prior to fabrication showing installation details and construction.
3. Related work specified elsewhere:
  - a) All Headers, support structures, surrounding insulation, jamps, blocking and trim as required for installation of the folding partitions. Section \_\_\_\_\_.
  - b) Prepare the openings to the dimensions specified, plumb and level in accordance with approved shop drawings. Headers shall be parallel with the floor within  $\pm 1/4$ " tolerance over the entire length of the opening. Section \_\_\_\_\_.

### Product

1. PRODUCT shall be DuraSound as manufactured by the Won-Door Corporation.
2. OPERATION: Partition shall be top supported and \_\_\_\_\_ (manually or electrically) operated.
3. CONSTRUCTION shall consist of two parallel walls of panels, independently suspended with no inner frame or connections except at the leadpost. Panels shall be completely covered with a continuous blanket of foil-backed fiberglass secured to each panel with patented steel spring-clips.

4. PANELS shall be formed of cold rolled vinyl-clad 24-gauge steel, corrugated for maximum strength and resilience. Vinyl shall be permanently bonded to the face of the steel panels with a heat and pressure process before the panels are formed. Selection of colors for panels and hinges shall be made from manufacturer's current color chart.
5. SUSPENSION SYSTEM shall consist of two extruded aluminum tracks spaced 6" on center (8" on center for electrically operated partitions and any partition above 14' in height) and attached to the overhead structural support. Each panel shall be suspended by a steel hanger pin and a 1" diameter nylon-tired double steel-race ball bearing roller. Each leadpost shall be suspended by a 12-wheel trolley.
6. LEADPOSTS shall be formed of extruded .125" thick aluminum connected to the body of the partition by specially formed extruded aluminum hinges. Leadpost hardware shall include standard grip-type handles and sliding latch to effect closure (provisions for locking shall be optional).
7. PERIMETER SEALS shall consist of continuous extruded vinyl sweep strips attached to the top and bottom of the partition. Leading edges of the leadposts and receiver post shall be sound sealed by extruded vinyl seals.

8. HANGING WEIGHT of the partitions shall be approximately 4.2 lbs./sq. ft. Ceiling to be independent of track and header system.
9. LABORATORY ACOUSTICAL PERFORMANCE shall have been tested by an independent acoustical laboratory in accordance with ASTM E90 test procedure and shall have attained an STC of 48.

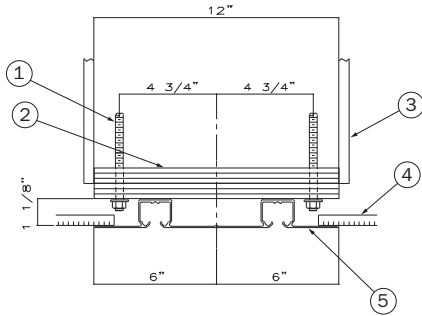
### Installation

1. Installation shall be performed by factory-trained installers.
2. Delivery to the job site shall be coordinated by the General Contractor. Unloading and proper storage of the partitions before installation and continued protection during and after installation shall be the responsibility of the General Contractor. The Architect shall be notified in writing of any deviations or site conditions different from approved shop drawings.
4. Installation shall be guaranteed for one (1) year from the date of installation against defects in material and workmanship. (Optional 3-year warranty available.)

### Specifier's Note

These specifications apply only to manual operation. For electrical operation, see architectural catalog. Consult a Won-Door architectural catalog for CSI formatted specifications and a complete reference file of product details.

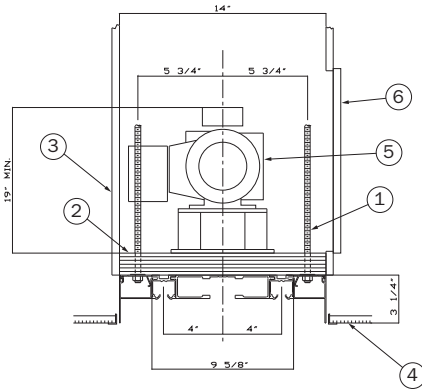
**DETAILS**



**Straight Door, Manual Operation | Ceiling Guard Track**

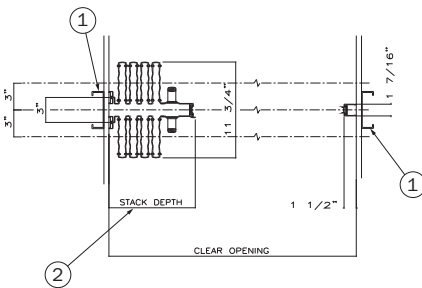
1. 3/8" all-thread rod with nuts and washers by others. (24" on center in opening, 12" on center in stack area.)
2. Two layers 3/4" x 12" x continuous plywood to be parallel with floor with maximum tolerance of +/- 1/4" by others. (Option: two number 1 grade 2" x 10" x continuous to be parallel with floor with maximum tolerance of +/- 1/4" by others. 3/8" all-thread rod is at 1 1/2" out from center line.)
3. Insulate as required for sound attenuation by others.
4. Ceiling by others.
5. Track with off white baked enamel finish.

*Specifier's Note: Maximum door height for this track type is 12'.*



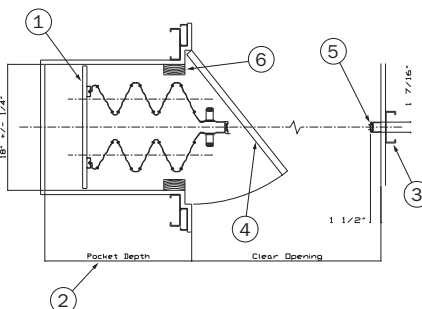
**Straight Door, Motorized Above Head | PVC Soffit and Fascia**

1. 3/8" all-thread rod with nuts and washers by others. (24" on center in opening, 12" on center in stack area.)
2. Two layers 3/4" x 14" x continuous plywood to be parallel with floor with maximum tolerance of +/- 1/4" by others. (Three layers of plywood required if over 14' in height.)
3. Insulate as required for sound attenuation by others.
4. Ceiling by others. (Ceiling not to be attached to Won-Door soffit.)
5. AC motor drive unit.
6. 2' x 3' removable access to motor by others.



**Single Parting, Manual Operation, Fixed Jamb**

1. Blocking by others.
2. Stack ratio equals 1-3/4" per foot, plus 6" for lead post.



**Single Parting, Manual Operation, Sliding Jamb**

1. Sliding jamb. (Sliding jamb is supported by a trolley and slides forward against the jamb stops when the partition is extended.)
2. Stack ratio equals the clear opening width multiplied by 1-3/4" per foot, plus 9" for lead post and floating jamb. (Thickness of optional pocket door must be added to pocket depth.)
3. Blocking by others.
4. Optional pocket cover door by others.
5. Jamb striker.
6. 1-1/2" x 3" jamb stops by others.

**Won-Door partitions are built to last as long as the buildings in which they are installed!**



## SPECIFICATIONS

### General Conditions

1. Furnish and install accordion folding partitions as indicated on architectural plans.
2. Complete shop drawings shall be provided prior to fabrication showing installation details and construction.
3. Related work specified elsewhere:
  - a) All Headers, support structures, surrounding insulation, jamps, blocking and trim as required for installation of the folding partitions. Section \_\_\_\_\_.
  - b) Prepare the openings to the dimensions specified, plumb and level in accordance with approved shop drawings. Headers shall be parallel with the floor within  $\pm 1/4$ " tolerance over the entire length of the opening. Section \_\_\_\_\_.

### Product

1. PRODUCT shall be DuraFlex as manufactured by the Won-Door Corporation.
2. OPERATION: Partition shall be top supported and manually operated.
3. CONSTRUCTION shall consist of single accordion-type wall panels suspended from a single track. Panels shall be connected by full height extruded vinyl hinges.
4. PANELS shall be formed of vinyl-clad 24-gauge steel, corrugated for maximum strength and resilience.

5. SUSPENSION SYSTEM shall consist of a single extruded aluminum track attached to the overhead structure. Each panel shall be suspended by a 1" diameter nylon-tired double-steel race ball bearing roller. Each leadpost shall be suspended by a 4-wheel ball bearing trolley (6-wheel if door height is over 12').
6. LEADPOSTS shall be .094 extruded aluminum. Leadpost hardware shall include standard grip-type handles and sliding latch to effect closure (provisions for locking shall be optional).
7. PERIMETER SEALS shall consist of continuous extruded vinyl sweep strips attached to the top and bottom of the partition. Leading edges of the lead posts and receiver post shall be sealed by extruded vinyl seals.
8. HANGING WEIGHT of the partitions shall be approximately 1.9 lbs./sq. ft.

### Installation

1. Installation shall be performed by factory-trained installers.
2. Delivery to the job site shall be coordinated by the General Contractor. Unloading and proper storage of the partitions before installation and continued protection during and after installation shall be the responsibility of the General Contractor.
3. Preparation of the openings shall be

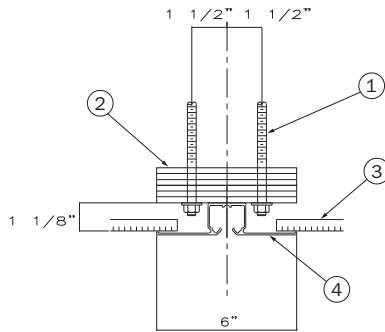
the responsibility of the General Contractor. The Architect shall be notified in writing of any deviations or site conditions different from approved shop drawings.

4. Installation shall be guaranteed for one (1) year from the date of installation against defects in material and workmanship.

### Specifier's Note

Consult Won-Door architectural catalog for CSI formatted specifications and a complete reference file of product details.

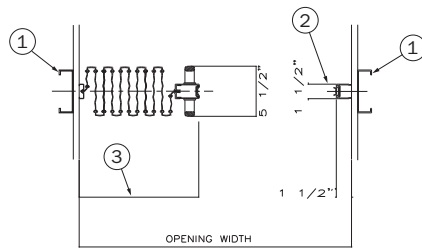
**DETAILS**



**Straight Door, Manual Operation | Ceiling Guard Track**

1. 3/8" all-thread rod with nuts and washers by others. (24" on center in opening, 12" on center in stack area.)
2. Two layers 3/4" x 6" x continuous plywood to be parallel with floor with maximum tolerance of +/- 1/4" by others. (Option: one number 1 grade 2" x 6" x continuous to be parallel with floor with maximum tolerance of +/- 1/4" by others.)
3. Ceiling by others.
5. Track with off white baked enamel finish.

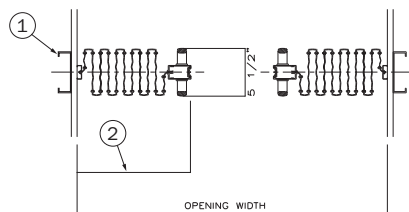
*Specifier's Note: Maximum door height for this track type is 12 feet.*



**Single Parting, Manual Operation, Fixed Jamb**

1. Blocking by others.
2. Aluminum striker.
3. Stack ratio equals 1-1/2" per foot plus 2-1/2" for lead post.

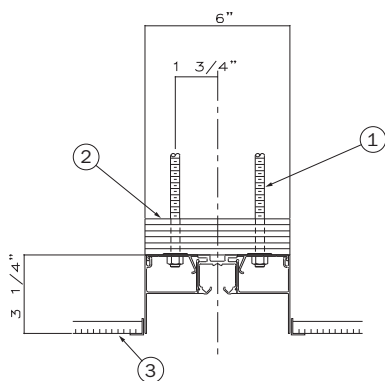
*Specifier's Note: Duraflex partitions greater than 12 feet in height are equipped with a 4" deep lead post. Increase stack depth 2" for this condition.*



**Bi-Parting, Manual Operation, Fixed Jamb**

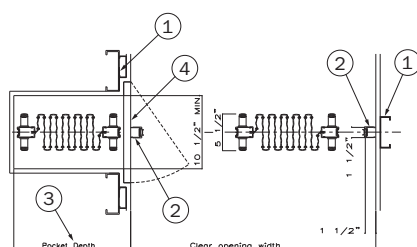
1. Blocking by others.
2. Stack ratio equals 1-1/2" per foot, plus 2-1/2" for lead post.

*Specifier's Note: Duraflex partitions greater than 12 feet in height are equipped with a 4" deep lead post. Increase stack depth 2" for this condition.*



**Straight Door, Manual Operation, PVC Soffit and Fascia**

1. 3/8" all-thread rod with nuts and washers by others. (24" on center in opening, 12" on center in stack area.)
2. Two layers 3/4" x 6" x continuous plywood to be parallel with floor with maximum tolerance of +/- 1/4" by others. (Option: one number 1 grade 2" x 6" x continuous to be parallel with floor with maximum tolerance of +/- 1/4" by others.)
3. Optional ceiling line. (Ceiling not to be attached to Won-Door soffit.)



**Single Parting, Storage Pocket, Rolling Post**

1. Blocking by others.
2. Aluminum striker.
3. Stack ratio equals 1-1/2" per foot plus 2-1/2" for each lead post.
4. Optional pocket door by others.

*Specifier's Note: Duraflex partitions greater than 12 feet in height are equipped with a 4" deep lead post. Increase stack depth 2" for this condition.*



**W O N - D O O R   C O R P O R A T I O N**

**World Headquarters**

**1865 South 3480 West • Salt Lake City, UT 84104**

**(800) 453-8494   (801) 973-7500 • Fax: (801) 977-9749 • Web address: [www.wondoor.com](http://www.wondoor.com)**