



CIRCA™

RAILING SYSTEM

PRODUCT DATA SHEETS

INFILL OPTIONS: CABLE

05720 / 05730

ORNAMENTAL HANDRAILS
& RAILINGS



vivarailings.com



CIRCA™ System comprised of round tubular post, a simple yet highly desired look.

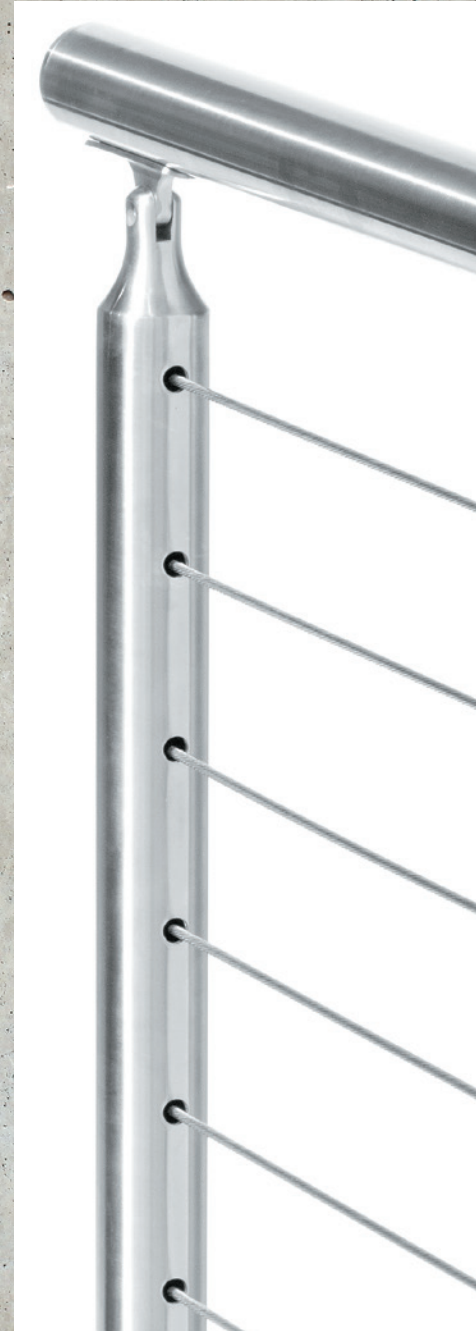
This system allows for a wide choice of in-fill options of Glass, Metal Panels, Cable, Multi-line & Pickets

Railing in-fill between the posts is mounted via fixed point holders for mounting of Glass or any other in-fill of your choice.



CIRCA™ CABLE SPECIFICATIONS

Posts	SS CIRCA Posts @ 5' o.c. max.
	SS CIRCA Posts @ 4' o.c. max. for Cable & Multiline in-fill
Height	42" or Custom
Mount Type	Top, Fascia or Core Mounts
Top Rail	1½" Ø or 2" Ø SS Rail; 2" Ø Wood Rail; 1.66 Ø LED iRail
Assist Rail	1½" Ø SS Rail; 2" Ø Wood Rail; 1.66 Ø LED iRail
Wall Rail (on Brackets)	1½" Ø SS Rail; 2" Ø Wood Rail; 1.66 Ø LED iRail
Stainless Steel	#6 Brushed Satin in SS-304 or SS-316 alloy
Wood (unstained)	Red Oak, Cherry & Maple (other species avail on request)
In-Fill	* various options available, see in-fill section Pg XX
	3/16" Ø SS cables @ 3¼" o.c.
LED iRail - (LED illuminated Rail)	1.55 Ø LED iRail available in Pure White & Warm White.



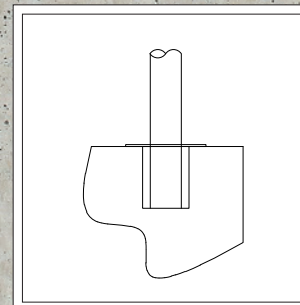
MOUNT OPTIONS



Top Mount



Fascia Mount

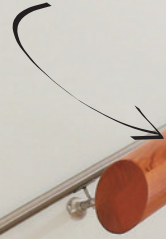


Core Mount

PRODUCT: CIRCA™ | INFILL: CABLE

UMHB NURSING CENTER - BELTON, TX | GC: BARTLETT & COCKE | ARCH: GSC ARCHITECTS

2" dia. Cherry wood rail



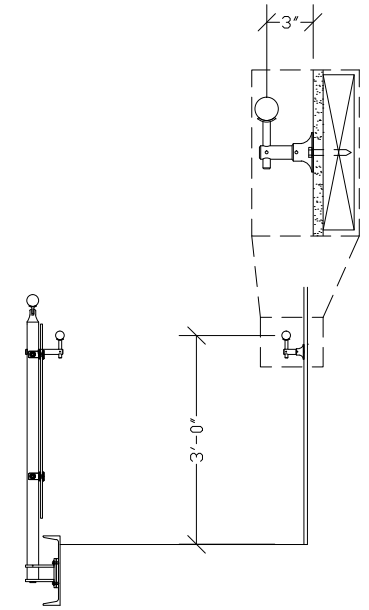
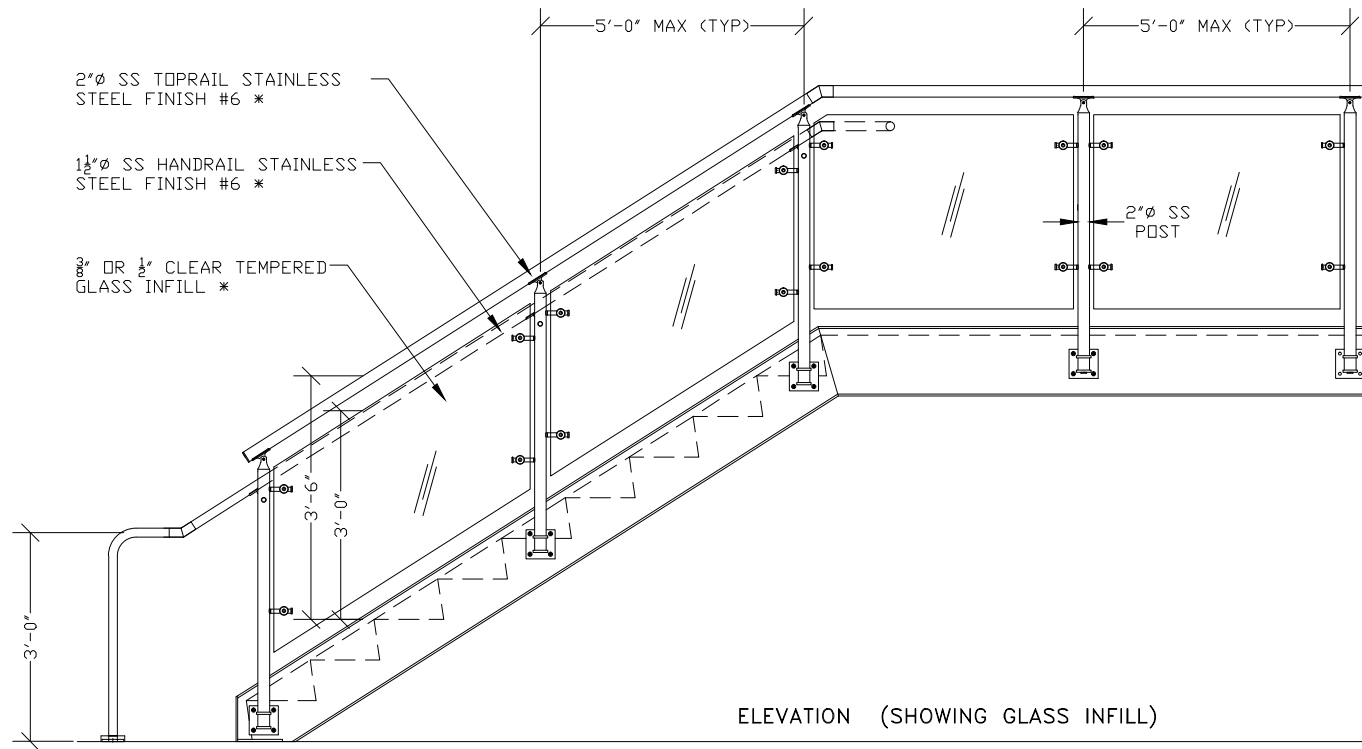
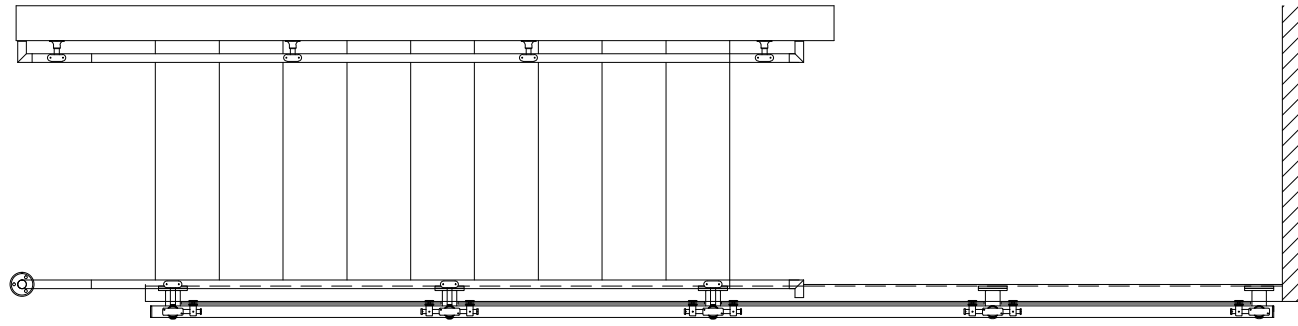


PRODUCT: CIRCA™ | INFILL: CABLE

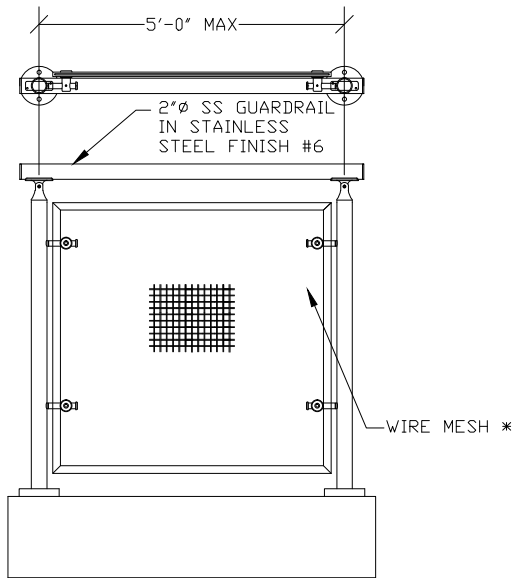
LEWISVILLE HIGH SCHOOL - LEWISVILLE, TX | GC: BALFOUR BEATTY | ARCH: SHW GROUP



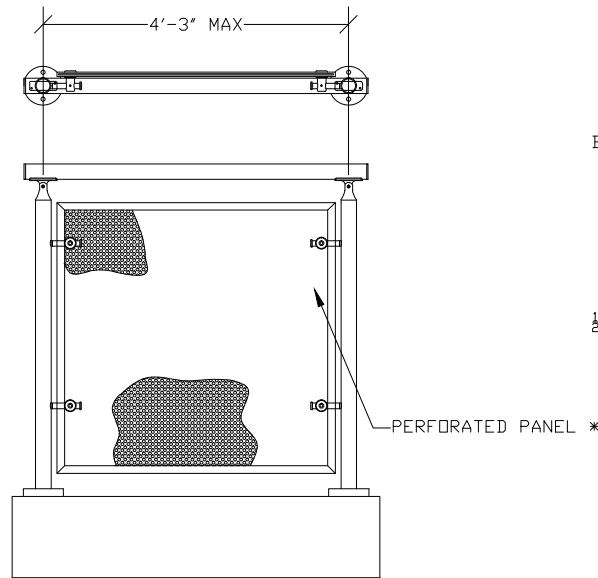
Core mount



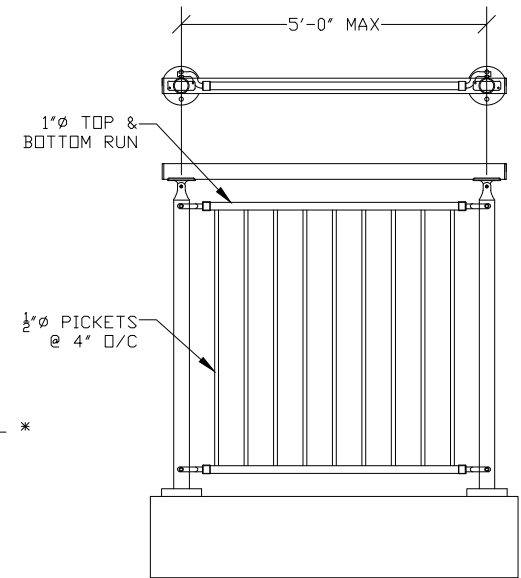
INFILL OPTIONS



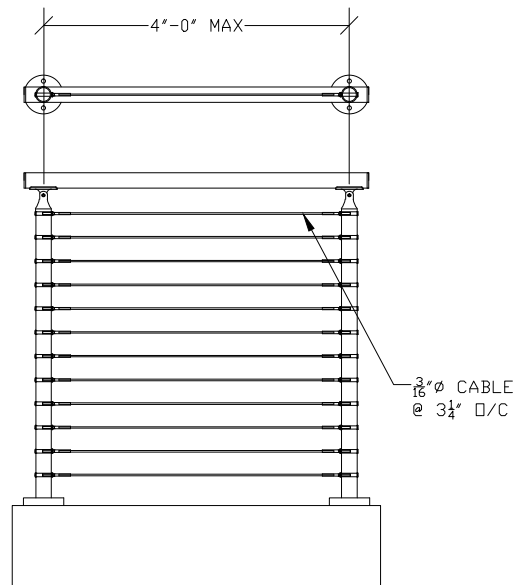
WIRE MESH INFILL



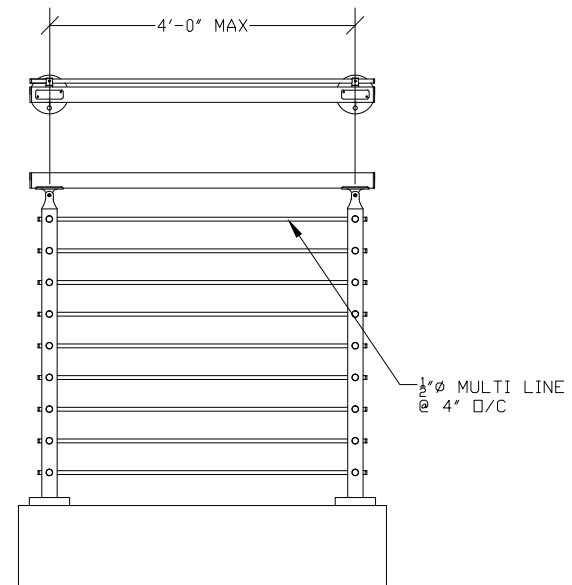
PERFORATED INFILL



PICKETS INFILL



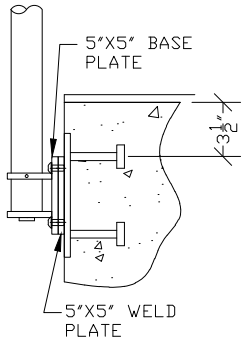
CABLE INFILL



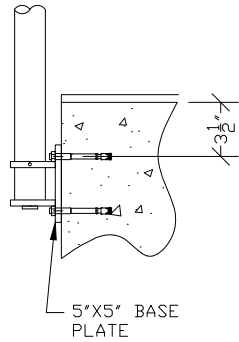
MULTI-LINE INFILL

CONCRETE MOUNTING

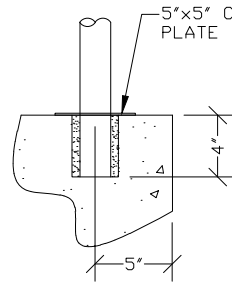
STEEL MOUNTING



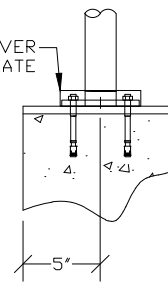
EMBED FASCIA MOUNT



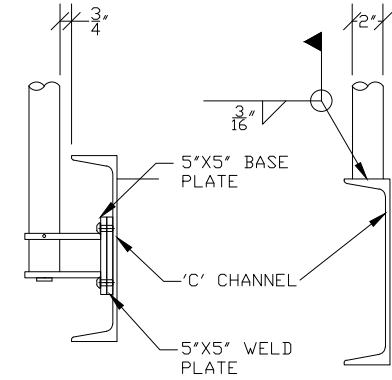
ANCHOR FASCIA MOUNT



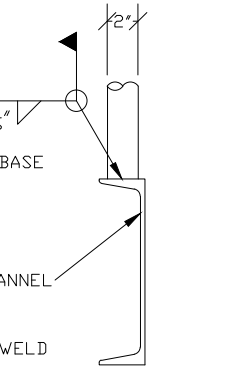
CORE MOUNT



ANCHOR TOP MOUNT



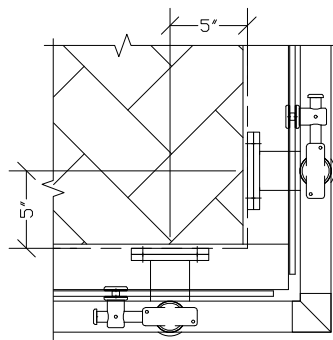
STEEL FASCIA MOUNT



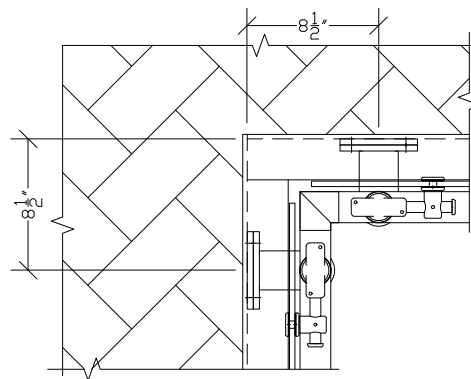
STEEL TOP MOUNT

FASCIA MOUNT @ CORNER

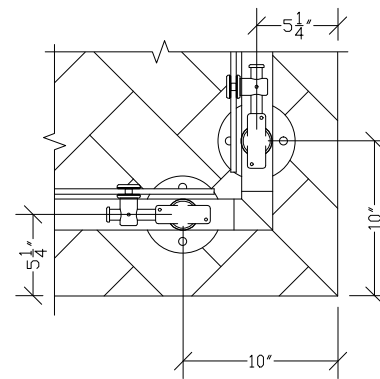
TOP MOUNT @ CORNER



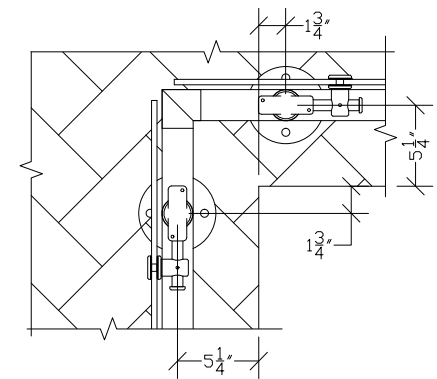
INSIDE CORNER FASCIA MOUNT



OUTSIDE CORNER FASCIA MOUNT

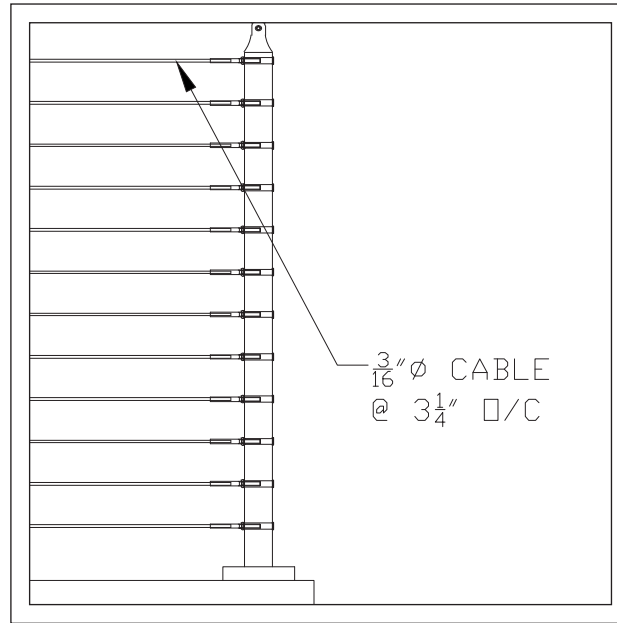


INSIDE CORNER TOP MOUNT



OUTSIDE CORNER TOP MOUNT

3/16" Ø SS cables @ 3 1/4" o.c.



CABLE





In Aug. 2013 Inc. magazine ranked VIVA RAILINGS. #973 on its annual Inc. 500|5000, an exclusive ranking of the nation's fastest-growing private companies.

In August 2012 Inc. magazine had ranked VIVA RAILINGS #281 on its 31st annual Inc. 500|5000, an exclusive ranking of the nation's fastest-growing private companies.

"VIVA Railings is thrilled to earn a position on this prestigious list of companies!"

It's a great tribute to the hard work of all our employees and the confidence our customers have entrusted in us."

-- Mark Tinwala & Huzefa Tinwala

Viva Railings was able to provide multiple railing styles and finish options for the project team to review, in order to determine the best fit for this project, and at a value that could not be matched.

Andrew Earhart - Project Manager - THE BECK GROUP

I wanted to take a quick moment to congratulate the VIVA team for a Job Well Done with the ornamental railing installation at the University of North Texas Business Leadership Building. We at Hunt Construction Group were extremely pleased with the professional conduct of your entire team from proposal to design, with a seamless transition through material delivery and installation. The entire Hunt BLB project team is pleased with more than 2500 feet of the VIEW™, SHOE™ and Custom Mesh Railing system throughout the project.
Clint Binkley - Project Manager - HUNT CONSTRUCTION GROUP, INC.

Viva railings is a very good product, but beyond the product the support that we receive from Viva is great. They are ready to work with us at all times, and always have good recommendations that do not affect the design intent but make our budgets get farther. We have used their products in several projects, and the final result is always beyond the highest expectations. I believe this is due to the amazing level of professionalism from their installers and engineering team.

Al Hernandez AIA, NCARB AP BD+C SHW GROUP

ARCHITECTS
SHW
Corgan
HKS
LS3P Associates Ltd.
Gensler
Perkins & Will
HOK
HDR
Aecom
Jacobs
Leo A Daly
RTKL
CH2M Hill
Callison
URS Corp
PageSoutherlandPage
Gresham, Smith and Partners
EYP Architecture & Engineering
Cannon Design

GENERAL CONTRACTORS
PCL Construction Enterprises Inc
Skanska USA
Balfour Beatty US
DPR Construction
JE Dunn Construction Group
Holder Construction Co
Hunt Construction Group
Austin Industries
Flintco LLC
LeChase Construction Services LLC
CORE Construction Group
Consigli Construction Co. Inc.
PJ Dick
Crossland Construction Co.
Hoar Construction LLC
Miron Construction Co. Inc
Choate Construction Co.
Hardin Construction Co. LLC
EMJ Corp.
The Beck Group
Satterfield & Pontikes Construction Inc
SpawGlass
China Construction America
Lee Lewis Construction Inc.
Bartlett Cocke General Contractors
Hill & Wilkinson General Contractors
Pogue Construction
Rogers-O'Brien Construction

OWNERS
Hilton
University of Austin
University of North Texas
LISD
Scott & White
SUNY
WSSU
TWU
Starbucks
Pizza Hut
Porsche
Bombardier
Boeing
US Corp of Engineers
Toyota
Mercedes Benz
John Deere
Univ of Miami
Oncor
Sheraton
Boston University
Sea World
Disney
Parkland Hospital
NBA
ESPN
DFW Airport
Honda

NORTH AMERICA OPERATIONS



VIVA RAILINGS
MODULAR RAILING SYSTEMS

1454 Halsey Way, Carrollton, TX 75007
PH: 972.353.8482 | FAX: 972.353.0013
info@vivarailings.com
www.vivarailings.com

ASIA OPERATIONS

VIVA RAILING SYSTEMS PVT. LTD

8, Saifee Park, Dr. Mascarenhas Road
Mazgaon, Mumbai 400 011
PH: + 91 22 23716040 / 23751012 | FAX: +91 22 23770254 | MOB: +91 9821468001
thaji@vivarailings.com



A HUB & MBE Certified Company



LEED
Material & Resources Credits 4.1 and 4.2



Inc. 500 | 5000

