

TGP  **FIRE RATED**
one source. many solutions.*

Fireframes®

Designer Series Frame System

System Details

Mechanical
Joint Co

Material Note Keys

Use with Installation Details pages 18 - 21

Key	Material	Required Material Not Provided by TGP
001	wall	Interior rated wall construction by other trades
002	shims	Perimeter shims at anchor locations are to be of hardwood (oak) or non-combustible (calcium silicate or steel) materials. Plastic shims may not be used. TGP recommends a 3/8" caulk joint between frame and all wall conditions.
003	firesafing	Intumescent sealant or firmly packed mineral wool must be installed in a continuous fashion between frame assembly and wall construction, being interrupted only by the perimeter anchor shims. Sealant manufacturers such as Tremco, Pemko and many others supply intumescent sealants.
004	finish sealant	Non fire-rated finish sealant to suit application. Select color to match frame
005	fastener	Because wall constructions vary widely in design, TGP does not provide perimeter fasteners (anchors). All frames are factory drilled to receive #12 flat head perimeter screws at approximately 18" on center.
006	PVC glazing tape	Single or double sided adhesive, closed cell PVC glazing tape of any common brand available from your local glazing supply house. Refer to Glazing Installation Instructions, pages 9 - 10
007	heel bead	In exterior applications, apply a continuous bead of silicone sealant at the sill condition and 4" vertically up each jamb. Sealant must be installed between the glass edge and frame profile.
008	cap seal	In exterior applications, use a continuous silicone sealant. Select color to match frame
009	fastener	Anchor frame sill to flashing member with a minimum size #10 fastener, to suit field conditions. Fasteners should be installed no greater than 18" on center.
010	flashing	Continuous sill flashing to suit project conditions. Flashing can be stainless steel, galvanized steel or aluminum.
011	flashing fastener	Used to anchor the flashing to sill wall condition. Anchors should be installed no greater than 18" on center.
Key	Material	Fasteners Provided by TGP
101	snap anchor	Glazing beads snap onto, factory installed, steel snap anchors at approximately 12" on center
102	8-32 x 1-1/2" flat head screws	Bead lock screw. Glazing beads and frame are factory fabricated to receive lock screws. The screws are supplied with screw heads painted to match frames.
Key	Material	Component Provided by TGP
201	fire-rated glazing material	Refer to the Fire-Rated Glazing Options and Specifications, pages 5 - 6 and Glazing Installation Instructions, pages 9 - 10
202	calcium silicate setting blocks	Calcium silicate setting blocks shipped loose for field installation. Refer to Glazing Installation Instructions, pages 9 - 10
203	fire-rated glazing tape	Fire-rated glazing tape for 90 minute fire-rated Designer Series assemblies only. Refer to Glazing Installation Instructions, pages 9 - 10
204	mechanical joint connector	In the event of a mechanically joined frame, this clip inserts into the receiving end of the frame to be joined and fastens with provided screws. (Not used with exterior applications)
207	glazing bead	Snap-on glazing bead

Window Elevations

Key for Detail Sections, pages 18 - 21

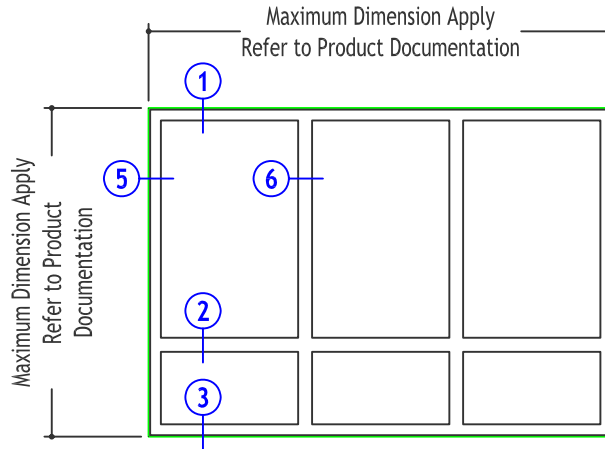


Figure 12. Window with Welded Joinery (Interior Application)

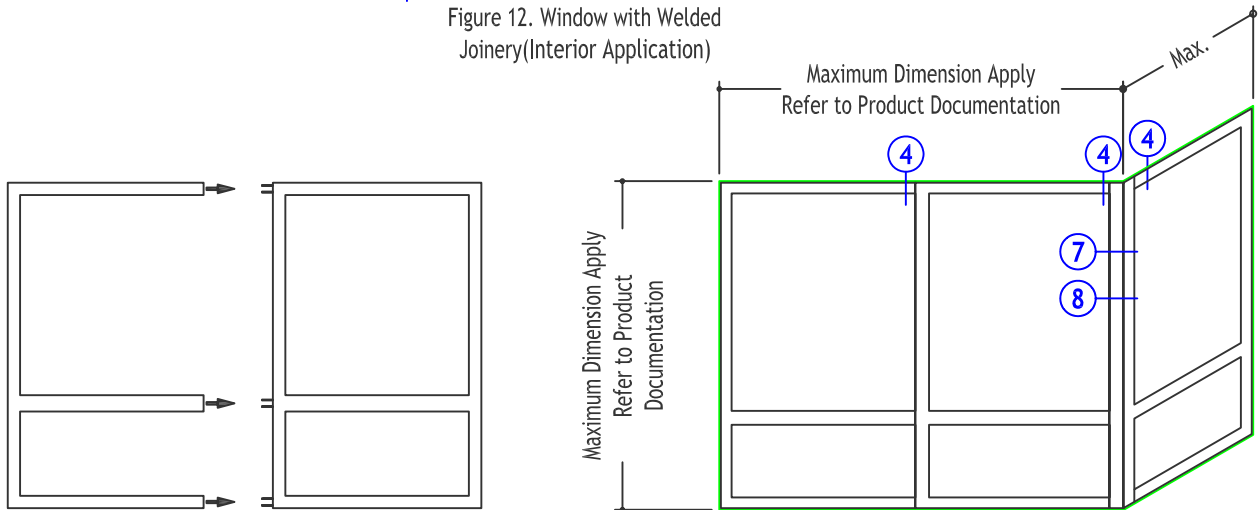


Figure 13. Mechanical Joinery Example
Refer to the Frame Assembly section in the
Designer Series Product Documentation

Figure 14. Mechanical Joinery and Corner

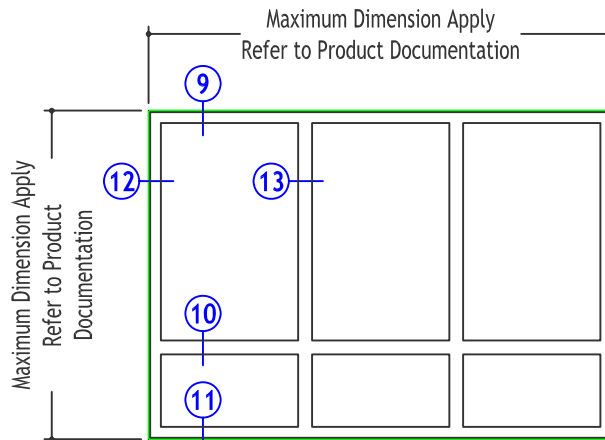


Figure 15. Window with Welded Joinery
(Exterior Application)

Single Door Elevations

Key for Detail Sections, pages 18 - 21

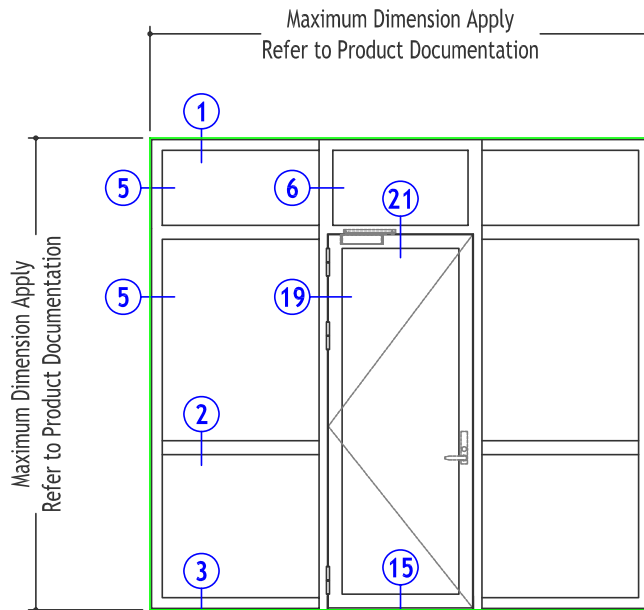


Figure 16. Single Door with Sidelite and Transom

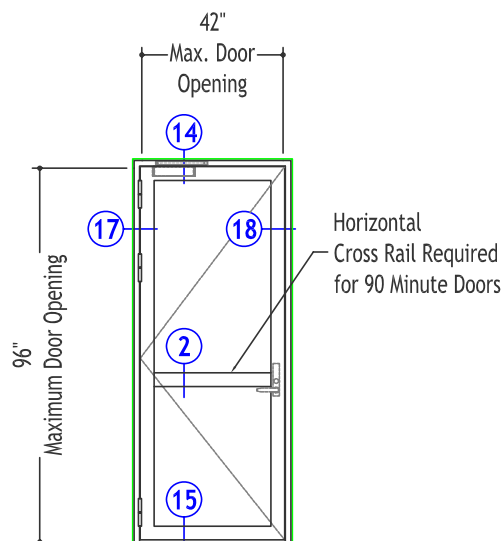


Figure 17. Stand Alone Door

For complete door handing and hardware specifications refer to Designer Series Product Documentation

Pair of Doors Elevations

Key for Detail Sections, pages 18 - 21

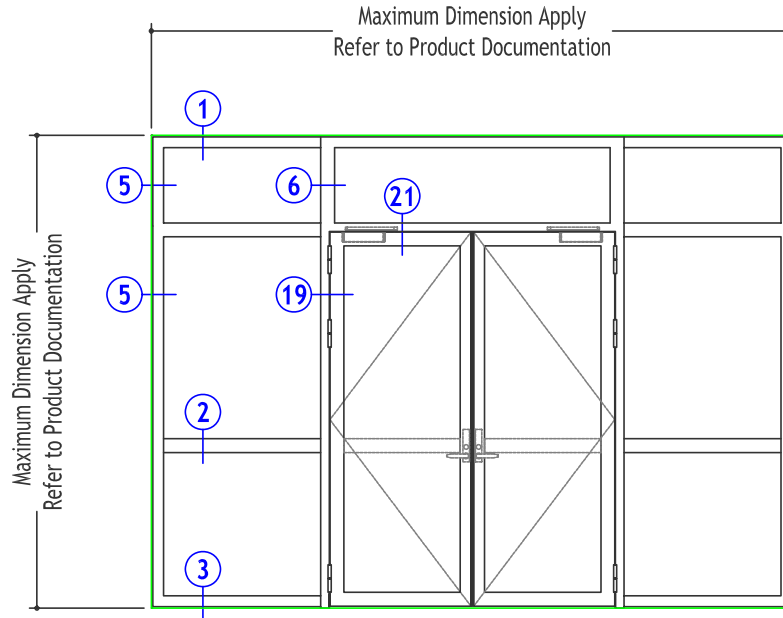


Figure 18. Pair of Doors with Sidelite and Transom

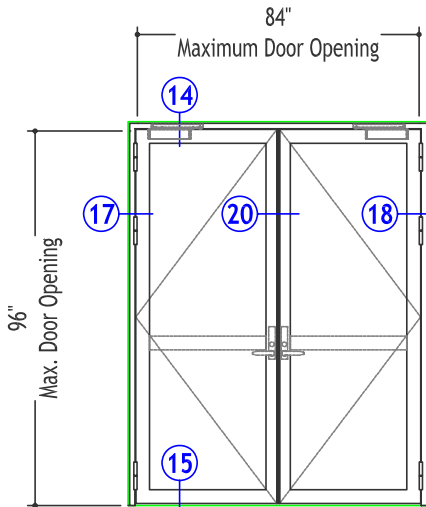


Figure 19. Pair of Doors
Active / Active

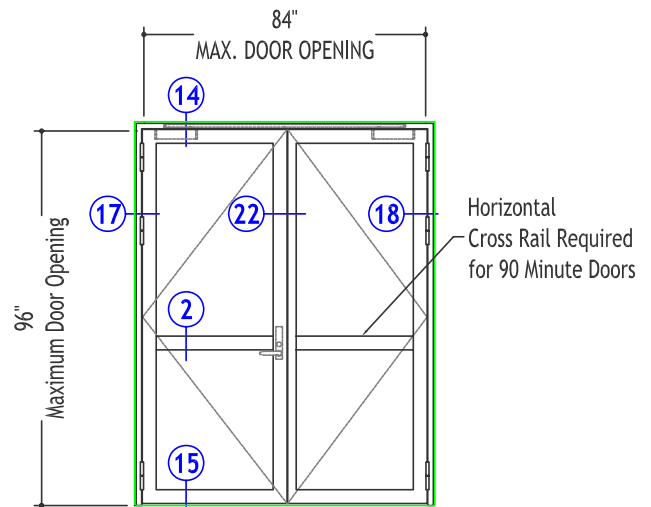
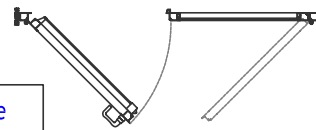
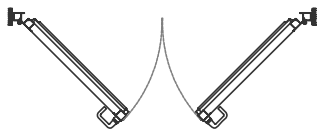


Figure 20. Pair of Doors
Active / Fixed

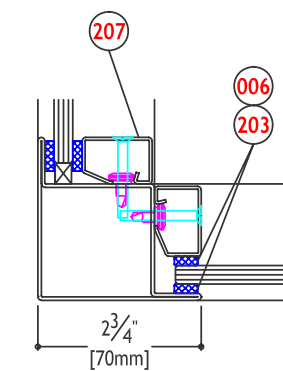
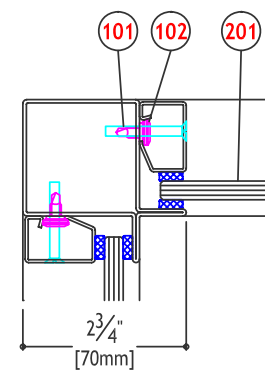
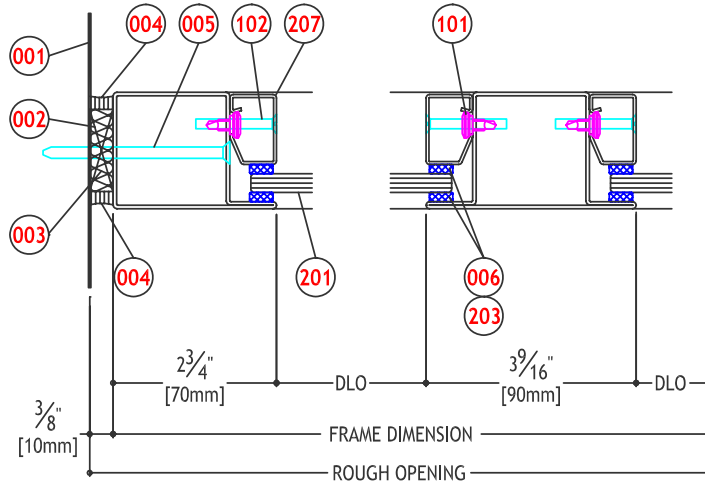
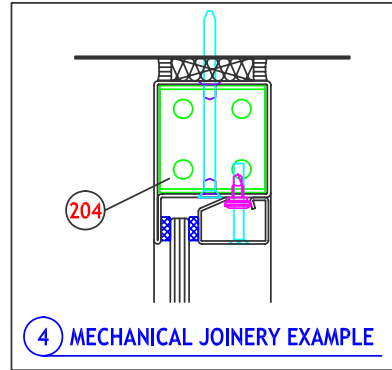
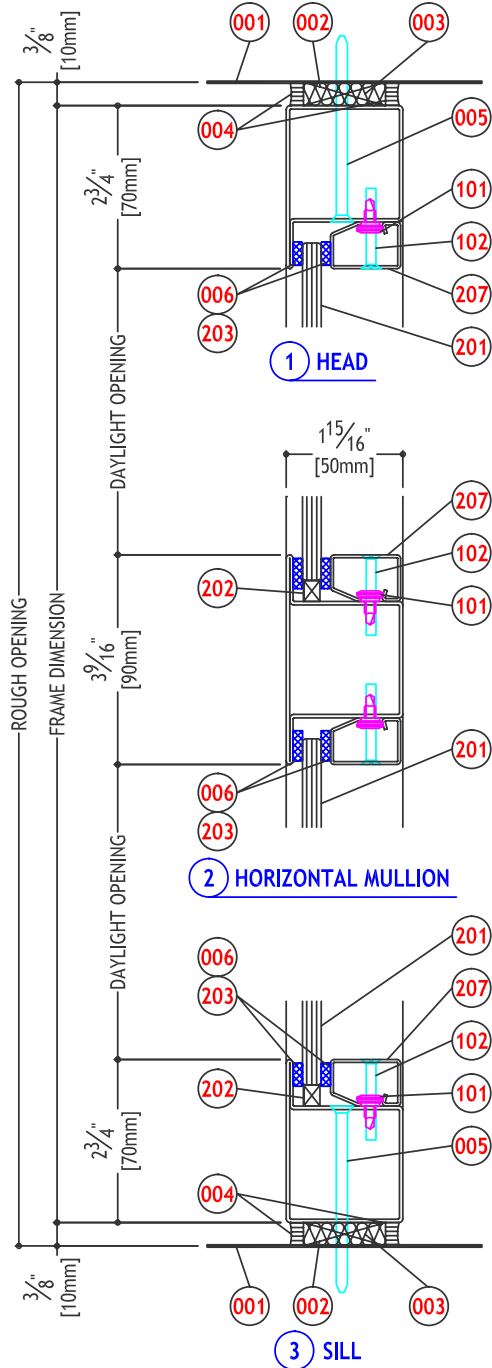


For complete door handing and hardware specifications refer to Designer Series Product Documentation

Installation Details

Interior Window

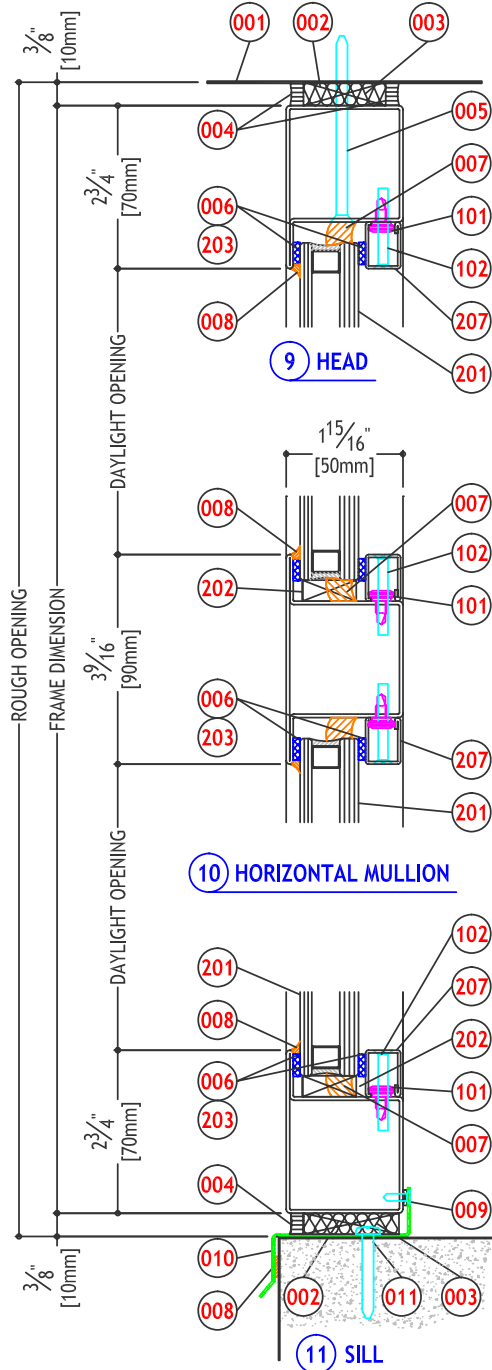
Refer to Material Note Keys chart, page 14 and Elevations, pages 15 - 17



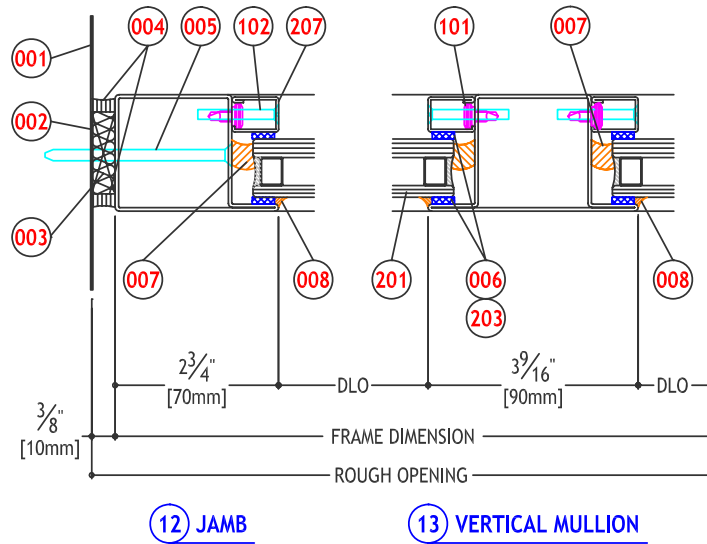
Installation Details

Exterior Window

Refer to Material Note Keys chart, page 14 and Elevations, pages 15 - 17



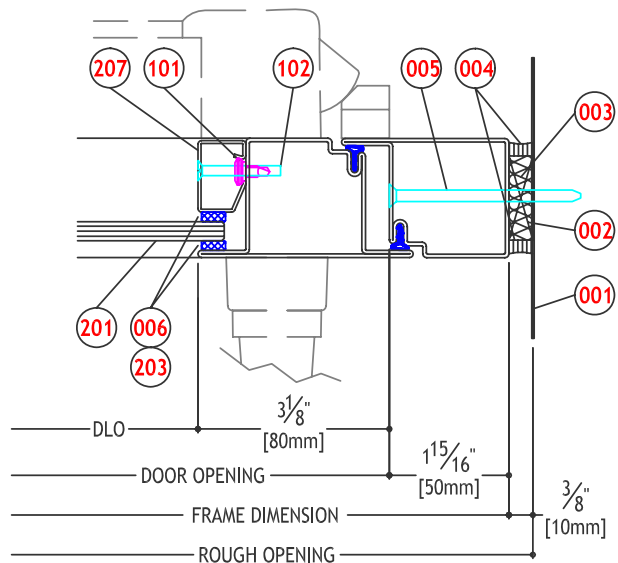
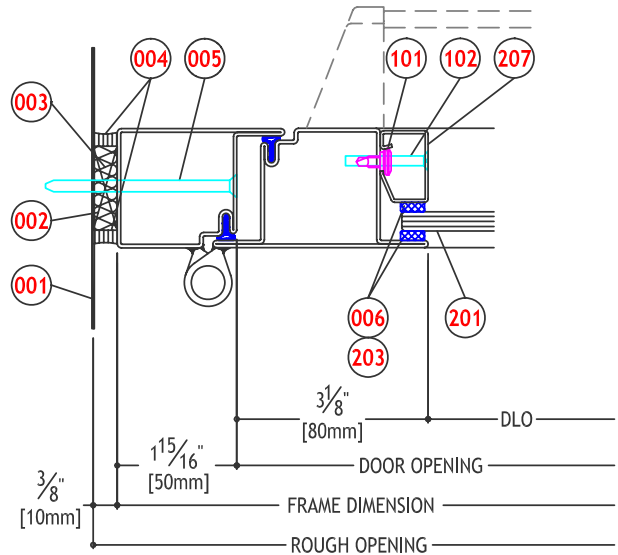
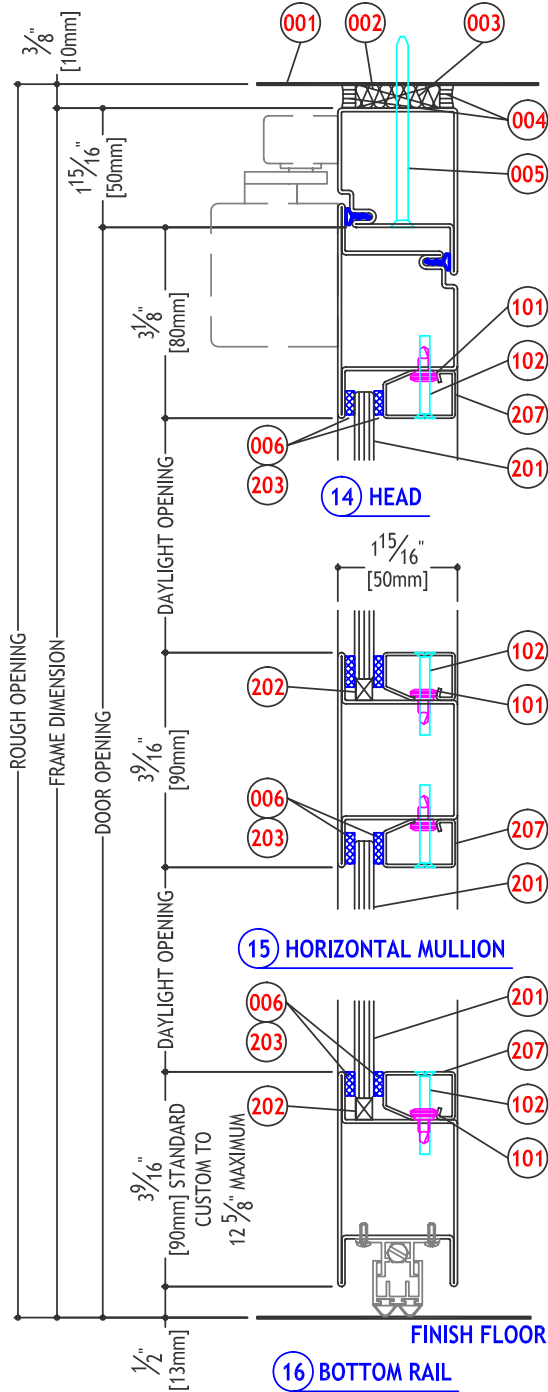
NOTE: TYPICAL IGU SHOWN



Installation Details

Stand Alone Door

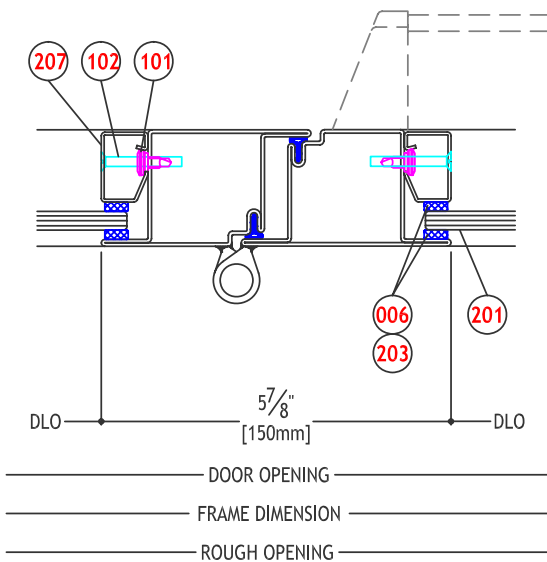
Refer to Material Note Keys chart, page 14 and Elevations, pages 15 - 17



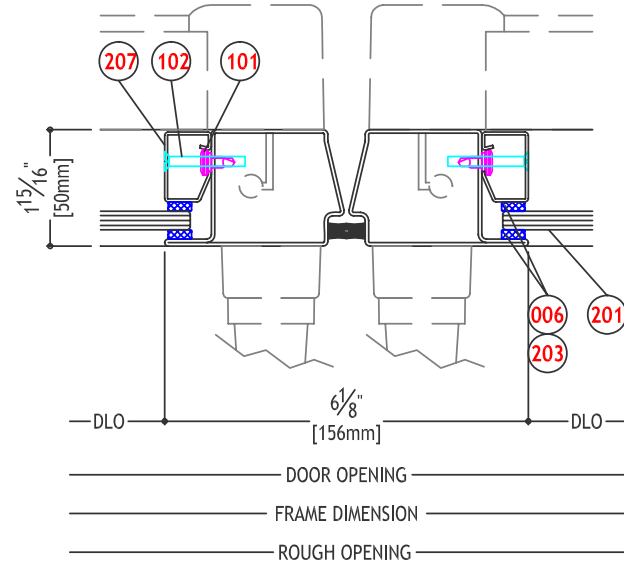
Installation Details

Door Sidelite, Transom and Meeting Stiles

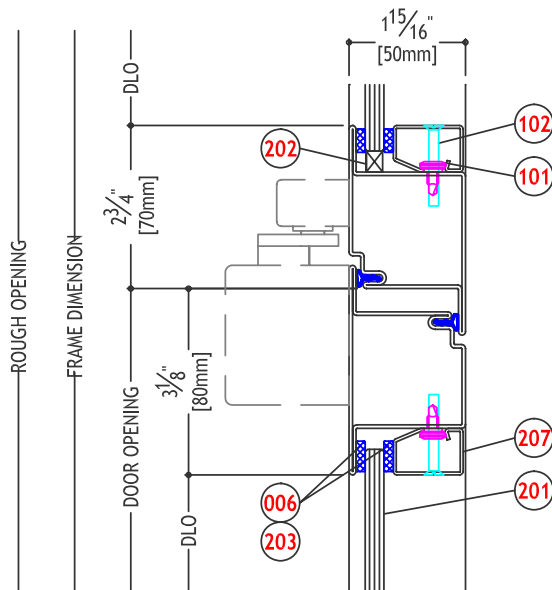
Refer to Material Note Keys chart, page 14 and Elevations, pages 15 - 17
For the Meeting Stile applications, refer to Door Handing Chart, page 3



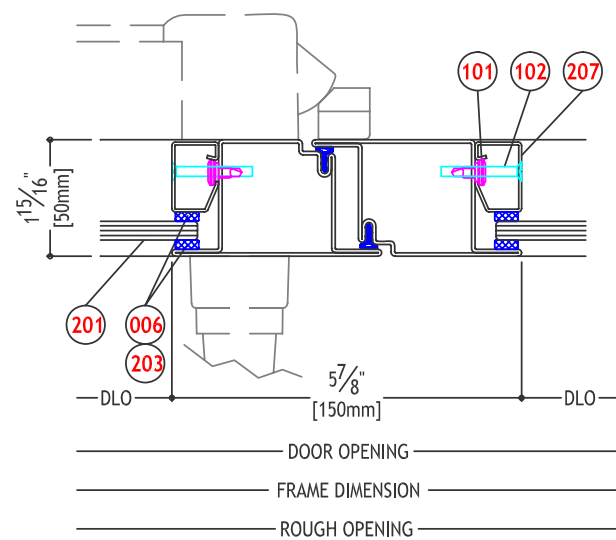
19 SIDELITE



20 ACTIVE / ACTIVE MEETING STILE



21 TRANSOM



22 ACTIVE / FIXED MEETING STILE