

1527 OMEGA SERIES

SPECIFICATIONS

GENERAL

1527 Omega R and F series are full cut-off decorative downlight fixtures having a spun aluminum bell styled shade that is available in two types of extension rings. Attached to the upper portion of the spun aluminum bell shade is an aluminum casting which acts as a means of coupling the fixture to an assortment of arms. All fixtures have sealed and rotatable optics and are available with flat, sag, clear or frosted glass.

BALLAST HOUSING

The ballast is housed in the upper section of the spun aluminum shade and is easily accessible by means of two tool-less entry doors. The ballast tray can be detached from the fixture after removal of one wing nut, lock washer and unclipping two sets of electrical quick disconnect connectors.

ELECTRICAL

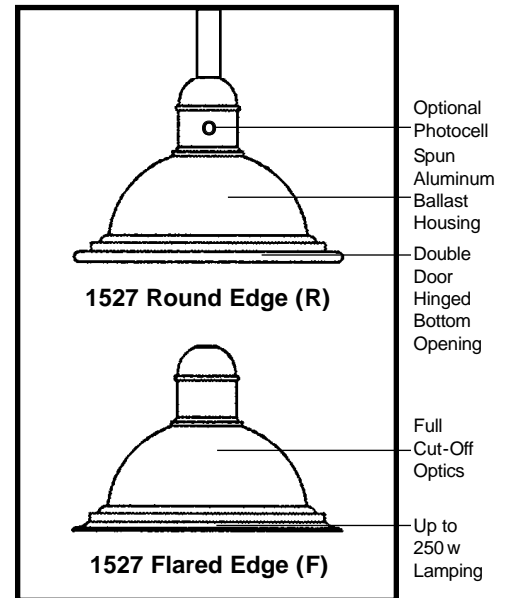
The fixture shall be U.L. or E.T.L. listed. H.I.D. ballasts shall be high power factor with lamp starting down to -30 degrees F. Medium and Mogul porcelain sockets are 4KV rated. The ballast tray assembly is connected to the lamp socket and line supply via quick disconnect connectors for ease of replacement.

FIXTURE ASSEMBLY

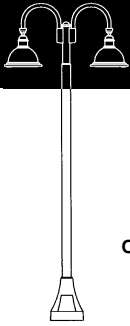
The 1527 fixtures shall be made of 11 ga. spun aluminum and having an outside diameter of 27" x 19 1/4" in height (19" on F). Tool-less entry allows easy access to lamp and ballast. A spring type latch allows access to lamp compartment, while two additional captive thumb screws provide a means to access the quick removal ballast tray. Two decorative edge rings are available, either round (R) or flared (F). An optional hangstraight (HS) is available to ensure a plumb fixture installation even with unlevel foundations.

OPTICAL OPTIONS

NIGHTSKY™ STAR-SHIELD Roof Optics distribution shall be delivered by multi-segmented roof mounted reflector systems which eliminate upright and provide full cut-off. The reflector cavity shall be made of specular anodized aluminum. Flat lens models provide full cut-off performance. Roof Optics Type 2 (RO2H-S), Type 3 (RO3H-S), Type 5 (RO5H-S) horizontal are available for

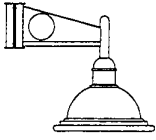


BUILDING A PART NUMBER



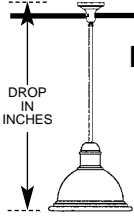
POST & ARM FIXTURES

ARM MOUNTED FIXTURE		CENTER POST TOP FIXTURE (PT)		POST	POST CAP	LIGHT SOURCE BALLAST	OPTICS	OPTIONS	FINISH
NO. OF ARMS	FIXTURE/LENS/POSTARM	FIXTURE	(See Post Section)			WATTS/TYPE/VOLTS			
2	1527RFG/OD		PT	9114P5		100 MH120	RO3H-S	MH100/MED	BK



WALL FIXTURES

FIXTURE/LENS/WALL BRACKET	LIGHT SOURCE BALLAST	OPTICS	OPTIONS	FINISH
WATTS/TYPE/VOLTS				
1527RFG/OJWB	70 MH120	RO3H-S	MH70/MED	BK



HANGING FIXTURES

FIXTURE/LENS/HANGING BRACKET	OVERALL DROP IN INCHES	LIGHT SOURCE BALLAST	OPTICS	OPTIONS	FINISH
WATTS/TYPE/VOLTS		WATTS/TYPE/VOLTS			
1527RFG/SH44	60 INCHES	150 HPS208	RO3H-S		BK

PART NUMBER SELECTIONS

FIXTURES

- 1527R
- 1527F

LENS

- FG
- FFG
- SG
- FSG

WALL BRACKET ARMS

- OBWB
- OCWB
- ODWB
- OGWB
- OHWB
- OJWB
- OLWB
- ONWB
- OQWB

POST ARMS

Single / Double

- OA
- OB
- OC
- OD
- OE
- OF
- OG
- OH
- OI
- OJ
- OL
- ON
- OQ

HANGING TYPE

- SH44

OPTICS

- RO2H-S⁵
- RO3H-S⁵
- RO5H-S⁵
- RO2H-L
- RO3H-L
- RO4H-L
- RO5H-L

VOLTAGES

- 120
- 208
- 240
- 277
- 480
- MULTI (120-277)

BALLASTS

- 50HPS¹
- 70HPS²
- 100HPS
- 150HPS
- 250HPS
- 50MH
- 70MH
- 100MH
- 150MH
- 175MH
- 250MH
- QL55*
- QL85*

*Consult factory for specification details

LAMPS³

- HPS50/MED
- HPS70/MED
- HPS100/MED
- HPS150/MED
- HPS250/MOG
- MH50/MED
- MH70/MED
- MH100/MED
- MH150/MED
- MH175/MED
- MH250/MOG

FINISHES

STANDARD

- BK Black
- VG Verde Green
- PG Park Green
- ABZ Arch Med Bronze
- SI Swedish Iron
- DB Dark Bronze

FINISHES

CUSTOM

- WH White
- RT Rust
- CM Custom Match
- OI Old Iron
- TT Two Tone

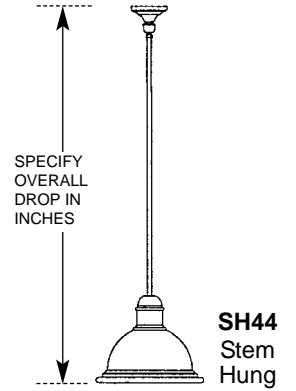
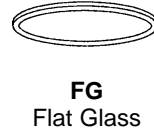
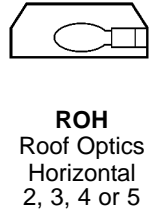
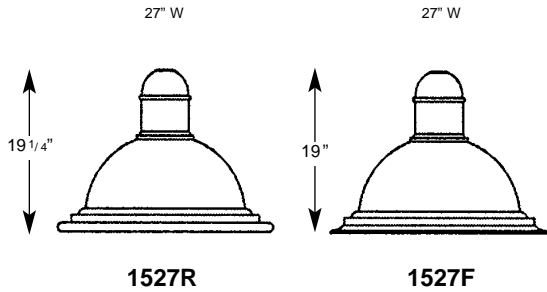
OPTIONS

- PEC1 Photocell-Bimetal 120 Volt
- PEC2 Photocell-Bimetal 208-277 Volt
- PEC1-E Photocell-Electronic 120 Volt
- PEC2-E Photocell-Electronic 208-277 Volt
- FHS Single Fuse and Holder-120,277 Volt⁴
- FHD Dual Fuse and Holder-208,240,480 Volt⁴
- QR Quartz Re-Strike
- LAMPS Select from list
- HS Hangstraight

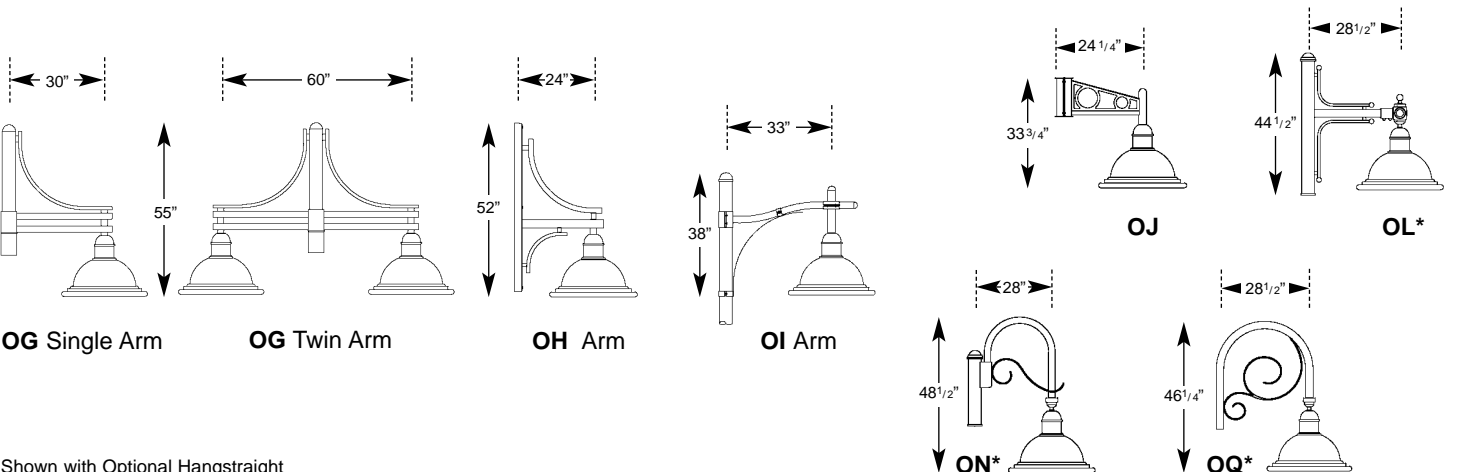
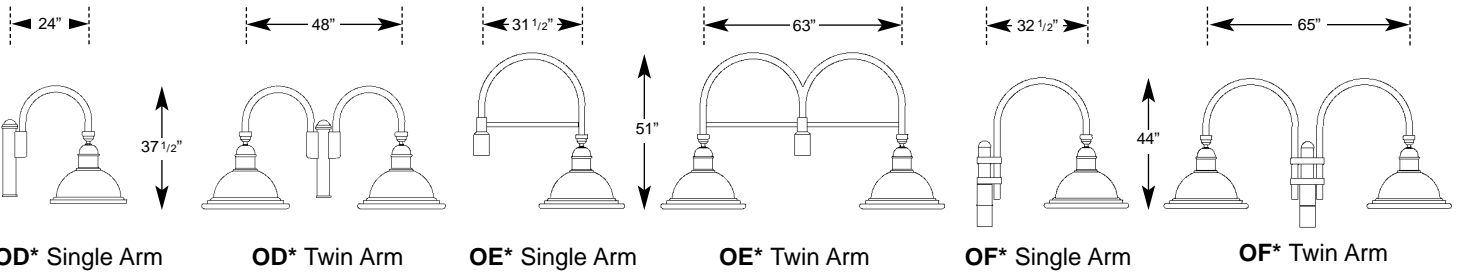
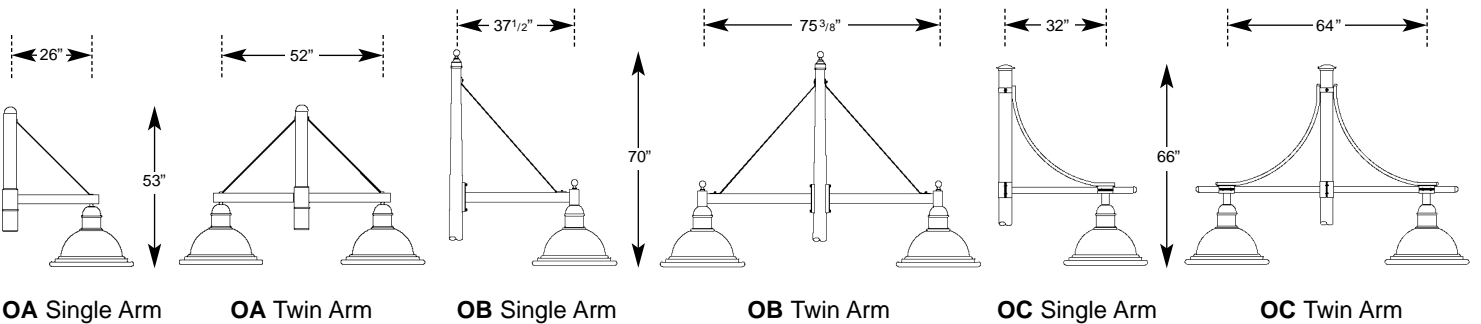
NOTES:

- 35HPS is 120 volt only.
- 50HPS available as 120 or 277 volt only. Others are special order.
- Standard is clear, for coated HID lamps
- add C (MH70/C/MED). Mercury vapor ballasts are available.
- For pole base installation.
- Med base socket only.

FIXTURES **LENSES** **HANGING BRACKETS**



ARMS - POST MOUNT (PM) or WALL BRACKETS (WB) See Arms Section for more information



* Shown with Optional Hangstraight

1527 OMEGA SERIES**SPECIFICATIONS****LIST NO.
1527 OMEGA
SERIES**

medium base lamps. Roof Optics Type 2 (RO2H-L), Type 3 (RO3H-L), Type 4 (RO4H-L) and Type 5 (RO5H-L) are for mogul base lamps.

PHOTOCELLS

Photocells shall be either the bi-metal button type or the electronic button type. Photocells shall be mounted in the pole shaft for multi fixtures and in fixture castings for single units. The photocell shall be designed to turn-on at 1.0 foot-candle and turn-off at not more than 5 footcandles. The electronic button type photocell is instant on and a 5-10 second turn off and shall turn-on at 1.5 footcandles with a turn-off at 2-3 footcandles. Photocells are either 120 volt or 208 thru 277 volt. Photocells are pre-wired as ballast housing assemblies and fitters are packaged together for ease of wiring to source.

ARMS

All arms are made of cast aluminum and/or extruded aluminum. Arms with decorative filigree have meticulously detailed scroll work and gracefully curved brackets. All fixtures will have its fitter either welded to the arm or will be mechanically attached at the factory to ensure arms will be plumb, secure and level over the life of the installation. Each arm shall be bolted to a post mount adapter, which is welded to the pole to ensure proper alignment to the base. Arms are pre-wired for ease of installation.

FINISH

Prior to coating, each assembly shall be chemically cleaned and etched in a 5-stage washing system which includes alkaline cleaning, rinsing, phosphoric etching, reverse osmosis water rinsing, and non-chrome sealing to ensure corrosion resistance and excellent adhesion for the finish coating. The finish coating shall be electrostatically applied semi-gloss, super durable polyester powder baked at 400 degrees for a durable and superior, color retentive finish. Our optional antique Verde Green finish and Swedish Iron finish are hand brushed using a 3-step process. The total assembly shall be wrapped in shockproof wrapping or fully enclosed in corrugated cartons.

WARRANTY

Five-year limited warranty. See product and finish warranty guide for details.