

8603 PARKWAY SERIES

SPECIFICATIONS

GENERAL

The 8603 Parkway series is a historical eight-sided fixture. It consists of a decorative cast mansard roof, a unique cast cage and acrylic lens. The roof shall be appointed with a decorative cast finial.

POST FITTER

The fitter or base shall be heavy wall cast aluminum, 319 alloy for high tensile strength. It shall have an inside diameter opening to fit a 3" diameter pole or tenon. When ordered with a Sternberg aluminum pole, the fitter shall be set screwed to the pole top or tenon.

BALLAST

The ballast shall be remote mounted in the base of the pole, pole shaft, arm or ballast box. The 8603BB and 8603TFBB shall have an integral ballast compartment. The ballast housing shall be heavy wall cast aluminum, 319 alloy for high tensile strength. The housing shall be an integral part of the fixture and cast in one piece to ensure a water-tight compartment. The ballast shall be attached to the ballast housing to ensure high capacity heat sinking of ballast temperatures, keeping the ballast cooler and ensuring long life. The ballast shall be mounted on a pull out door for easy ballast maintenance.

ELECTRICAL

Fixture shall be U.L. or E.T.L. listed. H.I.D. ballasts shall be high power factor with lamp starting down to -30 degrees C. Medium base and mogul base porcelain sockets are 4KV rated. All compact fluorescent (PL) ballasts shall be instant start electronic with a starting temperature of down to 0 degrees F. They shall have a 4-pin socket to accept quad or triple tube lamps.

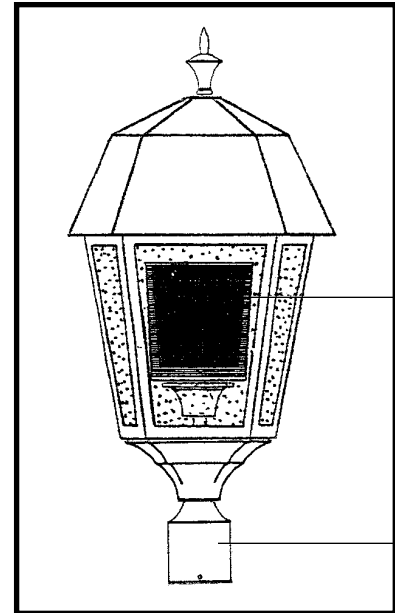
FIXTURE HOUSING

The 8603 fixture shall be 15" wide and the overall height shall be 31 1/2". It shall be made of heavy wall cast aluminum, 319 alloy and lenses shall be made of vandal resistant acrylic, available in clear (CA), clear seeded (CSA), clear textured (CTA), prismatic (PA) and white (WA) acrylic. The fixture cage shall cast in one piece. The Model 8603 shall have a sixteen-plane roof and a cage with four large lenses and four smaller corner lenses. The fixture shall be equipped with a removable access door when the Roof Optics option is selected.

OPTICAL OPTIONS

Refractors shall be 6" diameter borosilicate glass with an I.E.S. Type 3 (RE3G) or Type 5 (RE5G) distribution. It shall be secured to the socket stem with 3/8" plated steel threaded pipe nipple and rest on a cast aluminum holder with anti-shock gasket. The refractor will be secured to cast holder with a quarter-turn internal aluminum twist ring for ease of maintenance.

The NIGHTSKY™ OPTI-SHIELD™ Louver Optic System (LO or LO-S) shall be a multi-tier reflector with 7" diameter rings to produce an I.E.S. cut-off Type 3 or 5 distribution. The Louver Optic System shall be made of highly specular anodized aluminum and shall come standard with medium base socket.



Cast
Aluminum
Construction

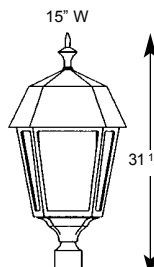
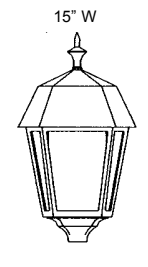
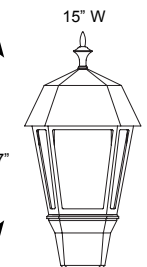
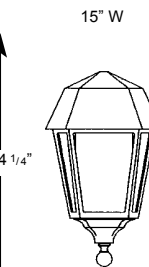
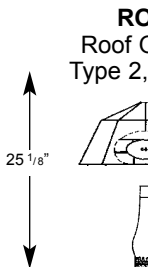
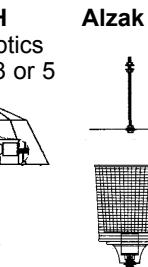
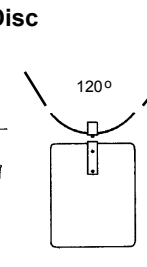
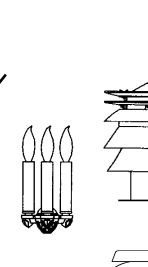
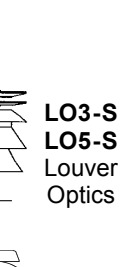
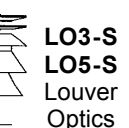
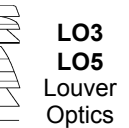
Alzak Disc
(Optional)

Type 3 or 5
Refractor
Available

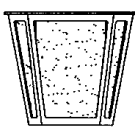


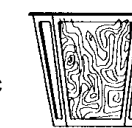
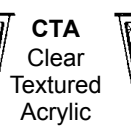


Roof Optics
or Louver
Optics
Available

Post Fitter

FIXTURES / OPTICAL SYSTEMS

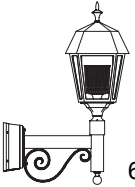
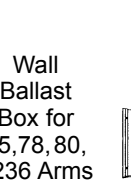



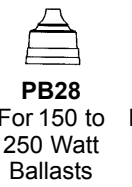
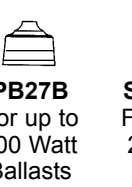
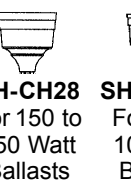

 <p>15" W 31 1/2"</p> <p>8603 Post Top Version</p>	 <p>15" W 27"</p> <p>8603 Arm or Pier Mount Version</p>	 <p>15" W 34 1/4"</p> <p>8603BB Integral Ballast</p>	 <p>15" W 25 1/8"</p> <p>8903H Hanging for Bracket or Arm</p>	 <p>FHC Frosted Hurricane Chimney</p>	 <p>ROH Roof Optics Type 2, 3 or 5</p>	 <p>RE3G RE5G Refractor</p>	 <p>HSS House Side Shield</p>	 <p>3L 3 Light</p>	 <p>LO3-S LO5-S Louver Optics</p>	 <p>LO3 LO5 Louver Optics</p>
--	---	--	---	---	---	--	---	--	--	--

LENSES

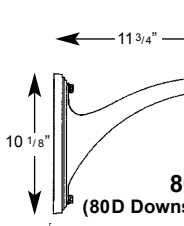
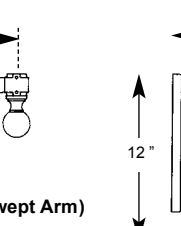
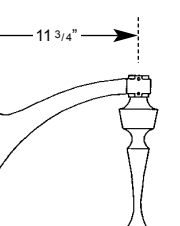
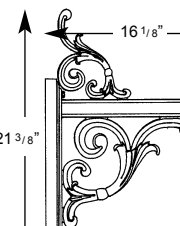
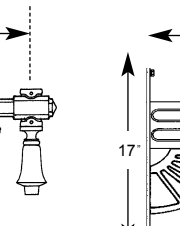
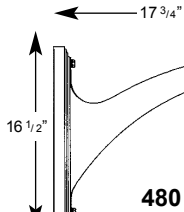
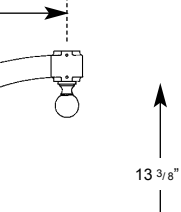
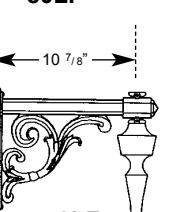
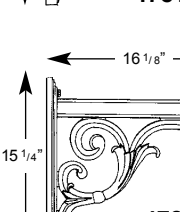
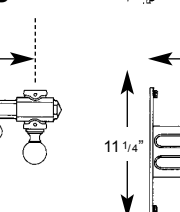
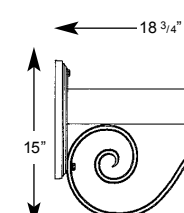
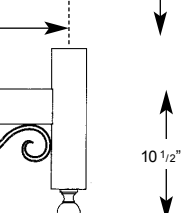
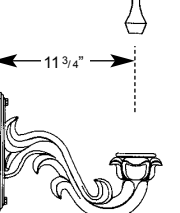
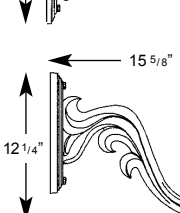
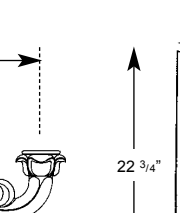
 <p>CSA Clear Seeded Acrylic</p>	 <p>CA Clear Acrylic</p>	 <p>CTA Clear Textured Acrylic</p>	 <p>PA Prismatic Acrylic</p>	 <p>WA White Acrylic</p>	 <p>Stem Hung</p>	 <p>Chain Hung</p>
---	--	--	--	--	---	--

Specify Overall Drop in Inches

BALLASTED WALL MOUNTS (BB) PIER MOUNTS (PB) HANGING BRACKETS

 <p>Wall Ballast Box for 55, 78, 80, 6236 Arms</p>	 <p>Wall Ballast Box for 478 and 480 Arms</p>	 <p>PB44 Incandescent</p>	 <p>PB28 For 150 to 250 Watt Ballasts</p>	 <p>PB27B For up to 100 Watt Ballasts</p>	 <p>SH-CH28 For 150 to 250 Watt Ballasts</p>	 <p>SH-CH27B For up to 100 Watt Ballasts</p>	 <p>SH44</p>	 <p>CH44</p>
--	--	---	---	---	--	---	--	--

ARMS - POST MOUNT (PM) or WALL BRACKETS (WB) See Arms Section for more information

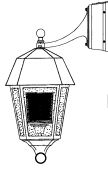
 <p>11 3/4" 10 1/8"</p> <p>80 (80D Downswept Arm)</p>	 <p>11 3/4" 12"</p> <p>80LF</p>	 <p>16 1/8" 21 3/8"</p> <p>478TS</p>	 <p>16 1/2" 17"</p> <p>TASCR</p>	 <p>16 1/2" 19 1/4"</p> <p>579</p>
 <p>17 3/4" 16 1/2"</p> <p>480</p>	 <p>10 7/8" 13 3/8"</p> <p>78LF</p>	 <p>16 1/8" 15 1/4"</p> <p>478</p>	 <p>16 1/2" 11 1/4"</p> <p>TA</p>	 <p>10 7/8" 10 1/8"</p> <p>78</p>
 <p>18 3/4" 15"</p> <p>6236</p>	 <p>11 3/4" 10 1/2"</p> <p>55</p>	 <p>15 5/8" 12 1/4"</p> <p>55L</p>	 <p>14 7/8" 22 3/4"</p> <p>121</p>	 <p>14" 19 3/4"</p> <p>121CM Corner Mount</p>

BUILDING A PART NUMBER



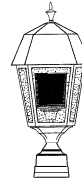
POST & ARM FIXTURES

ARM MOUNTED FIXTURE		CENTER POST TOP FIXTURE (PT)	POST	POST CAP	LIGHT SOURCE BALLAST	OPTICS	OPTIONS	LENS	FINISH
NO. OF ARMS	FIXTURE / POSTARM	FIXTURE	(See Post Section)		WATTS / TYPE / VOLTS				
2	8603/478PM	PT	3412DFP5	FCC	100HPS120	RE3G	HPS100/MED	CSA	BK

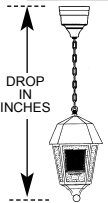


WALL FIXTURES

FIXTURE / WALLBRACKET	LIGHT SOURCE BALLAST WATTS / TYPE / VOLTS	OPTICS	LENS	OPTIONS	FINISH
8603H/80DWB	150 HPS120	RE3G	CTA	HPS150/MED	BK



PIER FIXTURES
Uses same information boxes as wall fixture
8603/PB28
FIXTURE / PIER BASE



HANGING FIXTURES

FIXTURE / HANGING BRACKET	OVERALL DROP IN INCHES	LIGHT SOURCE BALLAST WATTS / TYPE / VOLTS	OPTICS	OPTIONS	LENS	FINISH
8603H/CH28	48 INCHES	150 HPS120	RE3G	HPS100/MED	CSA	BK

PART NUMBER SELECTIONS

FIXTURES

- 8603¹
- 8603H¹
- 8603BB

LENSES

- CSA
- CA
- CTA
- PA
- WA

OPTICS

- RE3G
- RE5G
- ALZAK
- HSS
- LO3-S⁷
- LO5-S⁷
- LO3
- LO5
- RO2H-S⁷
- RO3H-S⁷
- RO5H-S⁷
- FHC⁴
- 3L

WALL BRACKET ARMS WITH BALLAST BOX

- 78WBBB
- 78LFWBBB
- 478WBBB
- 478TSWBBB
- 80WBBB
- 80DWBBB
- 80LFWBBB
- 80DLFWBBB
- 480WBBB
- 480DWBBB
- 55WBBB
- 55LWBBB
- 6236WBBB
- TASCROWB
- 121WBBB⁶

PIER BASES

- PB44
- PB28
- PB27B

POST ARMS

- 78PM
- 78LPM
- 478PM
- 478TSPM
- 80LFPM
- 80LDFPM
- 80PM
- 80DPM
- 480PM
- 480DPM
- 55PM
- 55LPM
- 121PM
- 6236PM
- 579PT
- TAPT
- TASCRIPT

WALL BRACKET ARMS

- 78WB
- 78LFWB
- 478WB
- 478TSWB
- 80WB
- 80DWB
- 80LFWB
- 80DLFWB
- 480WB
- 480DWB
- 55WB
- 55LWB
- 6236WB
- 579WB
- TAWB
- TASCROWB
- 121WB
- 121CMWB

BALLASTS¹

- 35HPS²
- 50HPS³
- 70HPS
- 100HPS
- 150HPS
- 200HPS
- 250HPS
- 50MH
- 70MH
- 100MH
- 150MH
- 175MH
- 250MH
- 32PLT
- 36PLT
- 42PLT
- INCAND
- QL55*
- QL85*

* Consult factory for specification details

LAMPS⁵

- HPS35/MED
- HPS50/MED
- HPS70/MED
- HPS100/MED
- HPS150/MED
- HPS250/MOG
- MH50/MED
- MH70/MED
- MH100/MED
- MH150/MED
- MH175/MED
- MH250/MOG
- PLT26
- PLT32
- PLT42

HANGING BRACKETS

- CH44 INC
- SH44 INC
- CH27B HID
- SH27B HID
- CH28 HID
- SH28 HID

FINISHES STANDARD

- BK Black
- VG Verde Green
- PG Park Green
- ABZ Arch Med Bronze
- SI Swedish Iron
- DB Dark Bronze

FINISHES CUSTOM

- WH White
- RT Rust
- CM Custom Match
- OI Old Iron
- TT Two Tone

VOLTAGES

- 120
- 208
- 240
- 277
- 480
- MULTI (120-277)

NOTES:

- 1 Pole mounted fixtures - requires ballast to be mounted in pole base.
- 1 Wall mounted fixtures - requires wall bracket arms with ballast box.
- 1 Pier mounted fixtures - require PB28 or PB27B if ballasted.
- 1 Hanging fixtures - require CH/SH28 or CH/SH27B if ballasted.
- 2 35HPS is 120 volt only.
- 3 50HPS available as 120 or 277 volt only. Others are special order.
- 4 Medium base socket only when used to house lamp.
- 5 Standard is clear, for coated HID lamps add C (MH70/C/MED). Medium base sockets standard with ballasts up to 175 watts. Mogul base sockets are standard with ballasts 200 watts and over. Mercury vapor ballasts are available.
- 6 Custom ballast box.
- 7 Medium base lamp only.

OPTIONS

- PEC1 Photocell-Bimetal 120 Volt
- PEC2 Photocell-Bimetal 208-277 Volt
- PEC1-E Photocell-Electronic 120 Volt
- PEC2-E Photocell-Electronic 208-277 Volt
- FHS Single Fuse and Holder-120,277 Volt
- FHD Dual Fuse and Holder-208,240,480 Volt
- QR Quartz Re-Strike
- PF Pineapple Finial or Font (TA, TASCROWB)
- BF Ball Finial or Font (TA, TASCROWB)
- LAMPS Select from list

8603 PARKWAY SERIES

SPECIFICATIONS

**LIST NO. 8603
PARKWAY
SERIES**

NIGHTSKY™ STAR-SHIELD™ Roof Optics distribution shall be delivered by multi-segmented roof mounted reflector systems which eliminate upright and provide cut-off. The reflector cavity shall be made of specular anodized aluminum. Roof Optics Type 2 (RO2H-S), Type 3 (RO3H-S), Type 5 (RO5H-S) horizontal are available for medium base lamps.

Frosted Glass Hurricane Chimney (FHC) is an optic option which adds an authentic touch and can be used with Roof Optics.

House Side Shield (HSS) is an option which will block up to 120° of light in any one direction.

3-Light (3L) candelabra set is an option for incandescent application.

PHOTOCELLS

Photocells shall be either the thermo bi-metal button type or the electronic button type. On single post top fixtures the photocell shall be mounted in the fitter and pre-wired to ballast. On multiple head fixture assemblies photocells shall be mounted in the pole shaft on an access plate and are not pre-wired as ballast housing assemblies and fitters are packaged separately for ease of wiring to source. The thermo bi-metal photocell shall be designed to turn on at 1.0 footcandle and turn off at not more than 5 footcandles. The electronic button type photocell is instant on and a 5-10 second turn off and shall turn on at 1.5 footcandles with a turn-off at 2-3 footcandles. Photocells are either 120 volt or 208 thru 277 volt.

ARMS

All arms are made of cast aluminum and/or extruded aluminum. Arms with decorative filigree have meticulously detailed scroll work and gracefully curved brackets. All 8603 fixtures will have its fitter either welded to the arm or will be mechanically attached at the factory to ensure arms will be plumb, secure and level over the life of the installation. Each arm shall be bolted to a post mount adapter, which is welded to the pole to ensure proper alignment to the base. TA and 579 arms will be attached the decorative center hub which will slip fit the center tenon of the pole. Arms are pre-wired for ease of installation.

FINISH

Prior to coating, each assembly shall be chemically cleaned and etched in a 5-stage washing system which includes alkaline cleaning, rinsing, phosphoric etching, reverse osmosis water rinsing, and non-chrome sealing to ensure corrosion resistance and excellent adhesion for the finish coating. The finish coating shall be electrostatically applied semi-gloss, super durable polyester powder baked at 400 degrees for a durable and superior, color retentive finish. Our optional antique Verde Green finish and Swedish Iron finish are hand brushed using a 3-step process. The total assembly shall be wrapped in shockproof wrapping or fully enclosed in corrugated cartons.

WARRANTY

Five-year limited warranty. See product and finish warranty guide for details.

