

6130C HERITAGE

SPECIFICATIONS

GENERAL

The 6130C Heritage is a modern replica of an elegantly styled fixture featuring a tapered six sided cage and roof. It shall be appointed with a cast aluminum decorative finial.

POST FITTER

The fitter shall be heavy wall cast aluminum, 319 alloy for high tensile strength. It shall have an inside diameter opening to attach to a 3" pole or tenon. When ordered with a Sternberg pole, the fitter shall be set screwed to the pole top or tenon.

BALLAST HOUSING

The ballast housing shall be heavy wall cast aluminum, 319 alloy for high tensile strength. The housing shall be mounted to the cast fitter with one screw. The ballast shall be attached against the ballast housing by 4 studs to ensure high capacity heat sinking of ballast temperatures, keeping the ballast cooler and ensuring long life.

ELECTRICAL

Fixture shall be U.L. or E.T.L. listed. H.I.D. ballasts shall be high power factor with lamp starting down to -30 degrees C. Medium base and mogul base porcelain sockets are 4KV rated. The ballast/socket assembly shall be pre-wired when ballast is located in the fitter. All compact fluorescent (PL) ballasts shall be instant start electronic with a starting temperature of down to 0 degrees F. They shall have a 4-pin socket to accept quad or triple tube lamps.

FIXTURE HOUSING

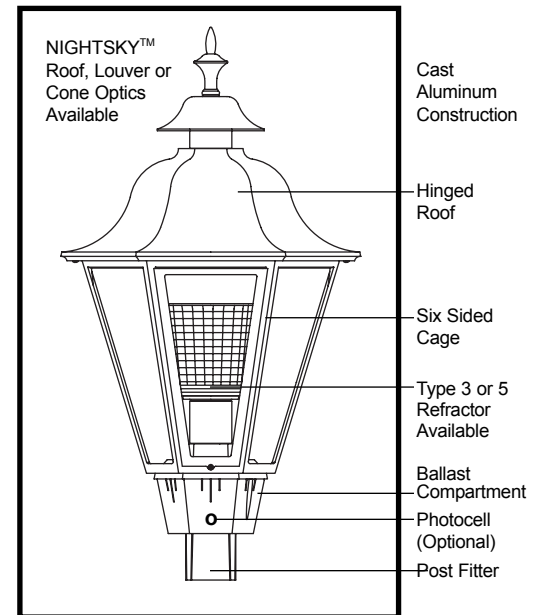
The fixture shall be 21" wide and 43" tall. It shall be made of heavy wall cast aluminum, 319 alloy and lenses will be made of vandal resistant acrylic, available in clear, clear seeded, clear textured, prismatic and white acrylic. Ballast is accessible from inside the lamp compartment. It features a hinged roof for easy lamp access.

OPTICAL OPTIONS

Refractors shall be 6" diameter borosilicate glass with an I.E.S. Type 3 (RE3G) or Type 5 (RE5G) distribution. It shall be secured to the socket stem with $\frac{3}{8}$ " plated steel threaded pipe nipple and rest on a cast aluminum holder with anti-shock gasket. The refractor will be secured to cast holder with a quarter-turn internal aluminum twist ring for ease of maintenance.

The NIGHTSKY™ OPTI-SHIELD™ Louver Optic System (LO or LO-S) shall be a multi-tier reflector with 7" diameter rings to produce an I.E.S. Cut-off Type 3 or 5 distribution. The Louver Optic System shall be made of highly specular anodized aluminum and shall come standard with medium base socket.

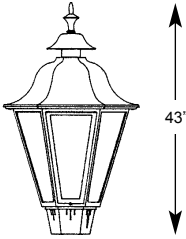

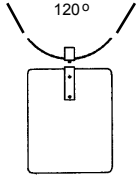
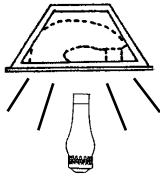

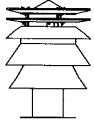
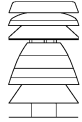
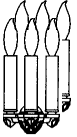
NIGHTSKY™ STAR-SHIELD™ Roof Optics distribution shall be delivered by multi-segmented roof mounted reflector systems which eliminate upright and provide cut-off. The reflector cavity shall be made of specular anodized aluminum. Roof Optics Type 2 (RO2H-S), Type 3 (RO3H-S), Type 5 (RO5H-S) horizontal are available for medium base lamps.



6130C HERITAGE

FIXTURES / FITTERS / ARMS PM - WB

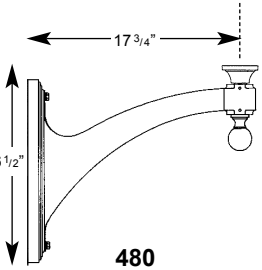
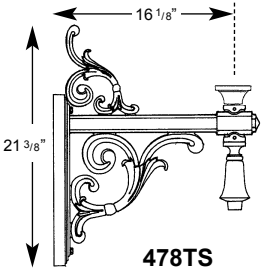
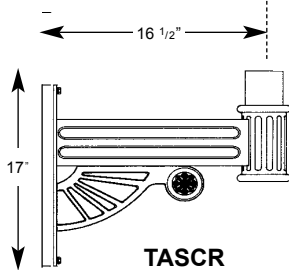
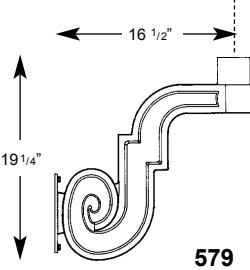
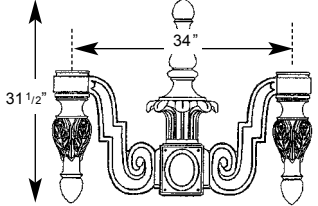
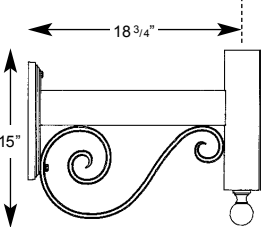
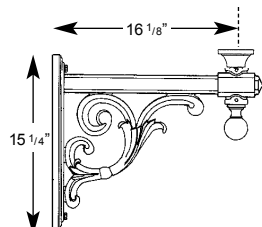
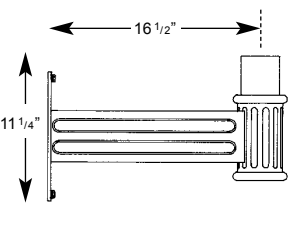
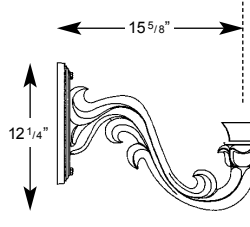
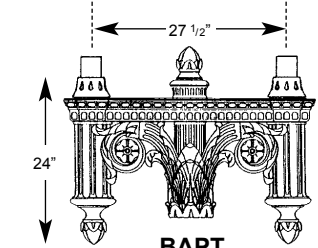
FIXTURES / OPTICAL SYSTEMS

 <p>21" W 43"</p> <p>6130C Solid Roof</p>	<p>Alzak Disc</p>  <p>RE3G RE5G Refractor</p>	 <p>120°</p> <p>HSS House Side Shield</p>	<p>ROH Roof Optics 2, 3 or 5</p>  <p>FHC Frosted Chimney</p>	 <p>CO3 CO5 Cone Optics</p>	 <p>LO3-S LO5-S Louver Optics</p>	 <p>LO3 LO5 Louver Optics</p>	 <p>6L 6 Light Cluster</p>
---	---	---	---	---	--	--	--

LENSES

 <p>CSA Clear Seeded Acrylic</p>	 <p>CA Clear Acrylic</p>	 <p>CTA Clear Textured Acrylic</p>	 <p>PA Prismatic Acrylic</p>	 <p>WA White Acrylic</p>
--	--	--	---	--

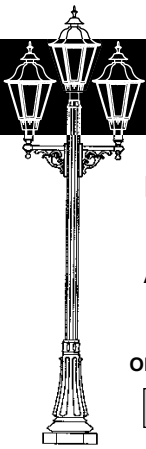
ARMS - POST MOUNT (PM) or WALL BRACKETS (WB) See Arms Section for more information

 <p>17 3/4" 16 1/2"</p> <p>480</p>	 <p>16 1/8" 21 3/8"</p> <p>478TS</p>	 <p>16 1/2" 17"</p> <p>TASC</p>	 <p>16 1/2" 19 1/4"</p> <p>579</p>	 <p>34" 31 1/2"</p> <p>779</p>
 <p>18 3/4" 15"</p> <p>6236</p>	 <p>16 1/8" 15 1/4"</p> <p>478</p>	 <p>16 1/2" 11 1/4"</p> <p>TA</p>	 <p>15 5/8" 12 1/4"</p> <p>55L</p>	 <p>27 1/2" 24"</p> <p>BAPT</p>

HANGING TYPES **PIER BASE MOUNT**

 <p>CH44 Chain Hung 6130C Shown</p>	 <p>SH44 Stem Hung 6130C Shown</p>	 <p>10 1/2" 3"</p> <p>450PB</p>
--	---	---

BUILDING A PART NUMBER



POST & ARM FIXTURES

ARM MOUNTED FIXTURE	CENTER POST TOP FIXTURE (PT)	POST	POST CAP	LIGHT SOURCE BALLAST	OPTICS	OPTIONS	LENS	FINISH
NO. OF ARMS	FIXTURE / POSTARM	FIXTURE	(See Post Section)	WATTS / TYPE / VOLTS				
2	6130C/478PM	6130C PT		5412FP5		100HPS120	RO3H-S/FHC	PEC1 / CA / BK



WALL FIXTURES

FIXTURE / WALLBRACKET	LIGHT SOURCE BALLAST	OPTICS	OPTIONS	LENS	FINISH
WATTS / TYPE / VOLTS					
6130C/480WB	100 HPS120	RE5G	PEC1	CA	BK



PIER FIXTURES
Uses same information boxes as wall fixture

6130C/450PB

FIXTURE / FITTER / PIER BASE

PART NUMBER SELECTIONS

FIXTURES

- 6130C

OPTICS

- RE3G
- RE5G
- ALZAK
- HSS
- LO3-S⁵
- LO5-S⁵
- LO3⁶
- LO5⁶
- RO2H-S⁵
- RO3H-S⁵
- RO5H-S⁵
- FHC³
- CO3
- CO5
- 6L

HANGING TYPE

- CH44
- SH44

POST ARMS

- 478PM
- 478TS
- 480PM
- 480DPM
- 55LPM
- 6236PM
- 579PT
- 779PT
- BAPT
- TAPT
- TASCR

VOLTAGES

- 120
- 208
- 240
- 277
- 480
- MULTI (120-277)

WALL BRACKET ARMS

- 478WB
- 478TSWB
- 480WB
- 480DWB
- 55LWB
- 6236WB
- 579WB
- TAWB
- TASCRWB

PIER MOUNT

- 450PB

LENSES

- CSA
- CA
- CTA
- PA
- WA

BALLASTS

- 35HPS¹
- 50HPS²
- 70HPS
- 100HPS
- 150HPS
- 250HPS
- 50MH
- 70MH
- 100MH
- 150MH
- 175MH
- 250MH
- 26PLT
- 32PLT
- 42PLT
- INCAND

LAMPS⁴

- HPS35/MED
- HPS50/MED
- HPS70/MED
- HPS100/MED
- HPS150/MED
- HPS250/MOG/ED18
- MH50/MED
- MH70/MED
- MH100/MED
- MH150/MED
- MH175/MED
- MH250/MOG/ED28
- PLT26
- PLT32
- PLT42

OPTIONS

- PEC1 Photocell-Bimetal 120 Volt
- PEC2 Photocell-Bimetal 208-277 Volt
- PEC1-E Photocell-Electronic 120 Volt
- PEC2-E Photocell-Electronic 208-277 Volt
- FHS Single Fuse and Holder-120, 277 Volt
- FHD Dual Fuse and Holder-208, 240, 480 Volt
- QR Quartz Re-Strike
- PF Pineapple Finial or Font (TA, TASCR)
- BF Ball Finial or Font (TA, TASCR)
- LAMPS Select from list

FINISHES STANDARD

- BK Black
- VG Verde Green
- PG Park Green
- ABZ Arch Med Bronze
- SI Swedish Iron
- DB Dark Bronze

FINISHES CUSTOM

- WH White
- RT Rust
- CM Custom Match
- OI Old Iron
- TT Two Tone

NOTES:

- ¹ 35HPS is 120 volt only.
- ² 50HPS available as 120 or 277 volt only. Other voltages are special order.
- ³ MED base only when used to house lamp.
- ⁴ Standard is clear, for coated HID lamps add C (MH70/C/MED). Medium base sockets standard with ballasts up to 175

watts. Mogul base sockets are standard with ballasts 200 watts and over. Mercury vapor ballasts and induction lamps are available.

- ⁵ Medium base lamp only.
- ⁶ Choice of 3 Models: Medium base for HPS or MH (ED17 only). Or mogul base for HPS (ED18 only). Or mogul base for MH (ED28 only).

6130C HERITAGE

SPECIFICATIONS

List No. 6130C HERITAGE **Frosted Glass Mission Chimney (FHC)** is an optic option which adds an authentic touch and can be used with Roof Optics.

Cone Optics Type 3 (CO3) distribution or **Type 5 (CO5)** distribution uses a vertically mounted lamp inside a highly specular reflector system to provide a reduction of uplight with a wide lighting span.

House Side Shield (HSS) is an option which will block up to 120° of light in any one direction.

6-Light (6L) candelabra set is an option for incandescent application.

QUARTZ RE-STRIKE

The 6130C fixture can be supplied with an optional quartz re-strike system to retain constant fixture light if the H.I.D. lamp fails. The fixture will be equipped with a 100 watt quartz lamp and a controller to run on a 120 volt circuit and must be used in conjunction with a 120 volt or multi-tap ballast.

PHOTOCELLS

Photocells shall be either the thermo bi-metal button type or the electronic button type. On single post top fixtures the photocell shall be mounted in the fitter and pre-wired to ballast. On multiple head fixture assemblies photocells shall be mounted in the pole shaft on an access plate and are not pre-wired as ballast housing assemblies and fitters are packaged separately for ease of wiring to source. The thermo bi-metal photocell shall be designed to turn on at 1.0 footcandle and turn off at not more than 5 footcandles. The electronic button type photocell is instant on and a 5-10 second turn off and shall turn on at 1.5 footcandles with a turn-off at 2-3 footcandles. Photocells are either 120 volt or 208 thru 277 volt.

ARMS

All arms are made of cast aluminum and/or extruded aluminum. Arms with decorative filigree have meticulously detailed scroll work and gracefully curved brackets. All 6130C fixtures will have its fitter welded or mechanically attached to the arm at the factory to ensure arms will be plumb, secure and level over the life of the installation. Each arm shall be bolted to a post mount adapter, which is welded to the pole to ensure proper alignment to the base. TA and 579 arms will be attached to a decorative center hub which will slip-fit the center tenon of the pole. Arms are pre-wired for ease of installation.

FINISH

Prior to coating, each assembly shall be chemically cleaned and etched in a 5-stage washing system which includes alkaline cleaning, rinsing, phosphoric etching, reverse osmosis water rinsing, and non-chrome sealing to ensure corrosion resistance and excellent adhesion for the finish coating. The finish coating shall be electrostatically applied semi-gloss, super durable polyester powder baked at 400 degrees for a durable and superior, color retentive finish. Our optional antique Verde Green finish and Swedish Iron finish are hand brushed using a 3-step process. The total assembly shall be wrapped in shockproof wrapping or fully enclosed in corrugated cartons.

WARRANTY

Five-year limited warranty. See product and finish warranty guide for details.

