

G12 TO G20 PF GLOBE SERIES

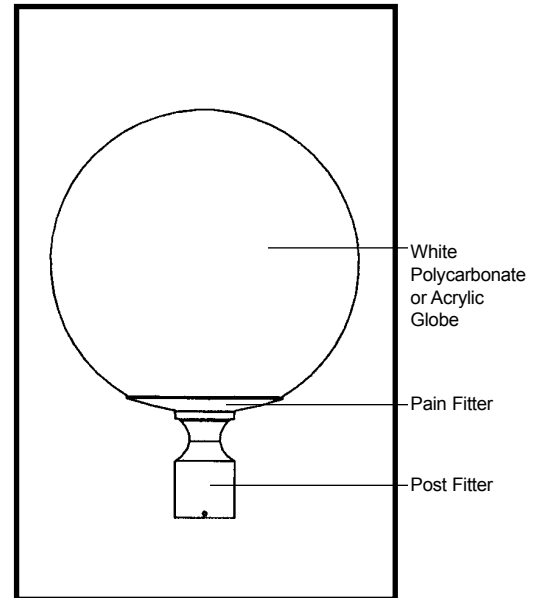
SPECIFICATIONS

GENERAL

The PF Globe series is a classically Victorian styled fixture, which consists of a curved cast aluminum dish fitter and a white polycarbonate or acrylic globe.

POST FITTER

The dish fitter shall be heavy wall cast aluminum, 319 alloy for high tensile strength. It shall have a spring lock and release system or ease of attachment to the globe. The fitter shall be 9" in diameter for the 16"- 20" globes and 6" in diameter for the 12"- 14" globes. It shall have an inside diameter opening to 3" diameter pole or tenon. When ordered with a Sternberg aluminum pole, the fitter shall be set screwed to the pole top or tenon.

**BALLAST**

The ballast shall be remote mounted in the base of the pole, pole shaft, arm or ballast box.

ELECTRICAL

Fixture shall be U.L. or E.T.L. listed. H.I.D. ballasts shall be high power factor with lamp starting down to -30 degrees C. Medium base porcelain sockets that are 4KV rated are used for all ballasts. All compact fluorescent (PL) ballasts shall be instant start electronic with a starting temperature of down to 0 degrees F. They shall have a 4-pin socket to accept quad or triple tube lamps.

GLOBE

The globe shall be 12"- 20" in diameter. It will be made of vandal resistant white polycarbonate or dent resistant (DR) white acrylic. The globe is available in a solid roof (SR) for added distinction and reduced up-light. The solid roof will be made of spun aluminum and securely affixed to the top of the globe. The solid roof shall be appointed with a cast aluminum decorative 4-vane finial.

OPTICAL OPTIONS For Clear Globes

For 16" - 20" Clear Globes Only, Refractors shall be 6" diameter, borosilicate glass (large) with an I.E.S. Type 3 or 5 distribution. It shall be secured to the fitter with $\frac{3}{8}$ " plated steel threaded pipe nipple and rest on a cast aluminum holder with anti-shock gasket. The refractor will be secured to the cast holder with a quarter-turn internal aluminum twist ring for ease of maintenance. **House Side Shields** (HSS) are available which block 120° of light in any one direction.

QUARTZ RE-STRIKE

The PF Globe fixture may be supplied with an optional quartz re-strike system to retain constant fixture light if the H.I.D. lamp fails. Consult factory as some applications may not be compatible. The fixture will be equipped with a 100 watt quartz lamp and a controller to run on a 120 volt circuit and must be used in conjunction with a 120 volt or multi-tap ballast.

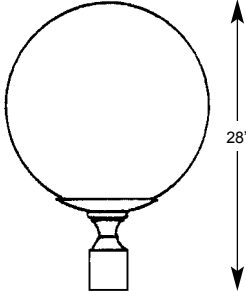
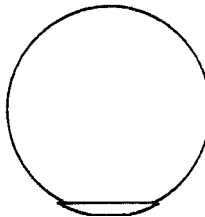
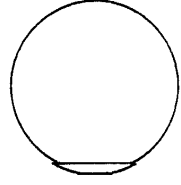
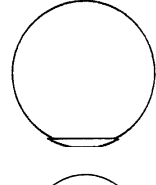
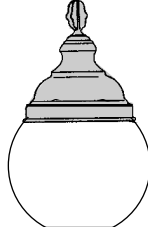
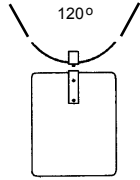
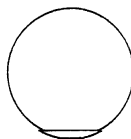
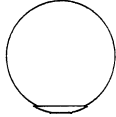
LIST NO.
G12 TO G20 PF
GLOBE
SERIES

(Continued on back page)

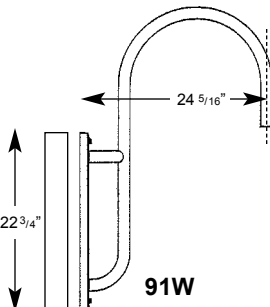
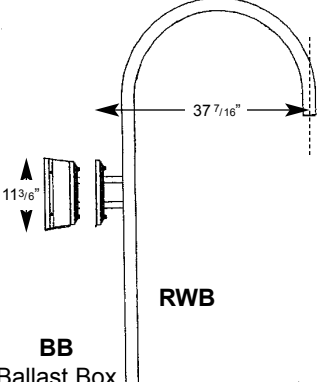
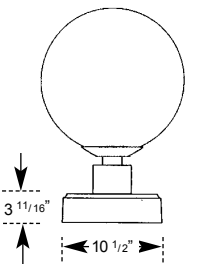
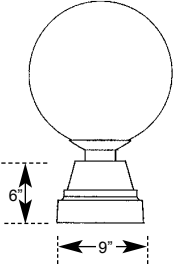


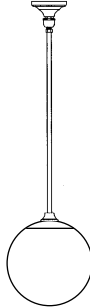
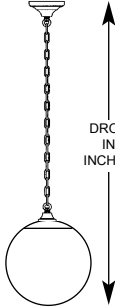
G12 TO G20 PF GLOBE SERIES

GLOBES / ARMS PM - WB

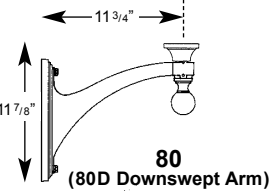
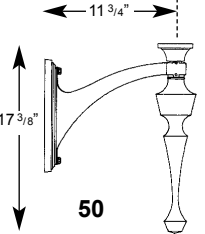
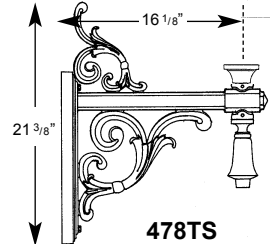
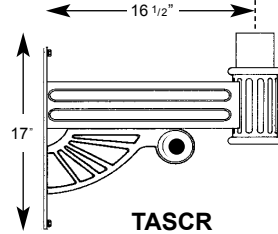
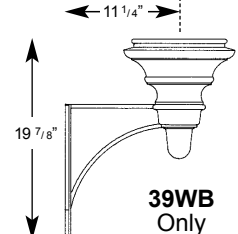
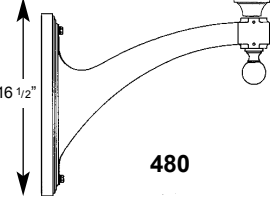
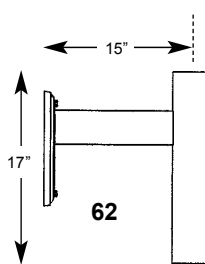
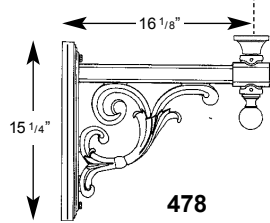
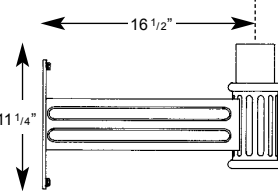
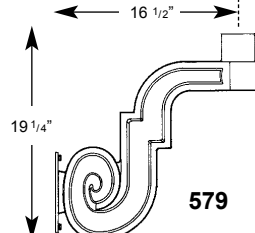
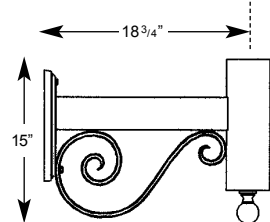
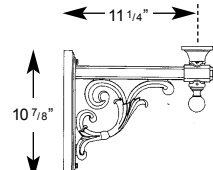
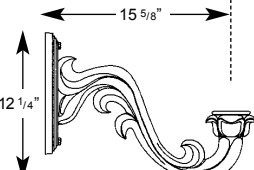
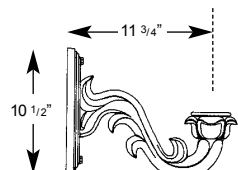
GLOBES / OPTIONAL TOPS / OPTICAL SYSTEMS

 <p>28"</p>		<p>G18WA / G18WP</p> 	<p>G16WA / G16WP</p> 	 <p>SR Solid Roof</p>	 <p>120°</p> <p>HSS House Side Shield</p>
<p>WA - White Acrylic WP - White Polycarbonate</p>	<p>G20WA - Acrylic G20WP - Polycarbonate</p>	<p>G14WA / G14WP</p> 	<p>G12WA / G12WP</p> 		

ARMS - POST MOUNT (PM) or WALL BRACKETS (WB) PIER BASES HANGING BRACKETS

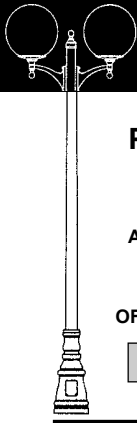
 <p>22 3/4"</p> <p>91W</p> <p>BB Ballast Box</p>	 <p>11 3/8"</p> <p>RWB</p> <p>BB Ballast Box</p>	 <p>3 11/16"</p> <p>10 1/2"</p> <p>450PB (Incandescent Only)</p>	 <p>6"</p> <p>9"</p> <p>673PB</p>	 <p>CH-SH 27BB For up to 100 Watt Ballasts</p>  <p>CH-SH 28BB For 150 Watt Ballasts</p>	 <p>SH37 Stem Hung</p>	 <p>CH37 Chain Hung</p> <p>DROP IN INCHES</p>
---	--	---	---	---	---	--

ARMS - POST MOUNT (PM) or WALL BRACKETS (WB) See Arms Section for more information

 <p>11 7/8"</p> <p>11 3/4"</p> <p>80 (80D Downswept Arm)</p>	 <p>17 3/8"</p> <p>11 3/4"</p> <p>50</p>	 <p>21 3/8"</p> <p>16 1/8"</p> <p>478TS</p>	 <p>17"</p> <p>16 1/2"</p> <p>TASCRA</p>	 <p>19 7/8"</p> <p>11 1/4"</p> <p>39WB Only</p>
 <p>16 1/2"</p> <p>17 3/4"</p> <p>480</p>	 <p>17"</p> <p>15"</p> <p>62</p>	 <p>15 1/4"</p> <p>16 1/8"</p> <p>478</p>	 <p>11 1/4"</p> <p>16 1/2"</p> <p>TA</p>	 <p>19 1/4"</p> <p>16 1/2"</p> <p>579</p>
 <p>15"</p> <p>18 3/4"</p> <p>6236B</p>	 <p>10 7/8"</p> <p>11 1/4"</p> <p>78</p>	 <p>12 1/4"</p> <p>15 5/8"</p> <p>55L</p>	 <p>10 1/2"</p> <p>11 3/4"</p> <p>55</p>	

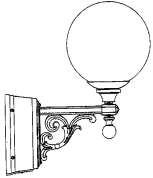
BUILDING A PART NUMBER

POST & ARM FIXTURES

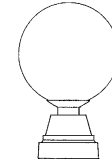


ARM MOUNTED FIXTURE		CENTER POST TOP FIXTURE (PT)	POST	POST CAP	LIGHT SOURCE BALLAST	OPTICS	OPTIONS	FINISH
NO. OF ARMS	GLOBE / FITTER / POSTARM	GLOBE	(See Post Section)		WATTS / TYPE / VOLTS			
2	G18WA/80PM		3610T4		100 HPS120		PEC1	BK

WALL FIXTURES



GLOBE / FITTER / WALLBRACKET	LIGHT SOURCE BALLAST	OPTICS	OPTIONS	FINISH
G12WP/78WBBB	50 HPS120			BK



PIER FIXTURES
Uses same information boxes as wall fixture

G16WA/673PB

GLOBE / PIER BASE

PART NUMBER SELECTIONS

GLOBES³

- G20WA⁶
- G20WP⁵
- G18WA⁶
- G18WP⁶
- G16WA⁷
- G16WP⁷
- G14WA⁸
- G14WP⁸
- G12WA⁹
- G12WP⁹

OPTICS

- HSS
- LO3*
- LO5*
- RE3G*
- RE5G*

*For Clear Globes Only

POST ARMS

- 50PM
- 478PM
- 478TSPM
- 80PM
- 80DPM
- 480PM
- 480DPM
- 55PM
- 55LPM
- 62PM
- 6236BPM
- 6236PM
- 579PT
- TAPT
- TASCRIPT
- 91WPM

VOLTAGES

- 120
- 208
- 240
- 277
- 480
- MULTI (120-277)

WALL BRACKET ARMS

- 39WB
- 50WB
- 62WB
- 478WB
- 478TSWB
- 80WB
- 80DWB
- 480WB
- 480DWB
- 55WB
- 55LWB
- 6236BWB
- 6236WB
- 579WB
- TAWB

TASCRIPT

- TASCRTWB
- RWB
- 91WWB

PIER BASE

- 450PB
- 673PB

WALL BRACKET ARMS With BALLAST BOXES

- 50WBBB
- 78WBBB
- 80WBBB
- 80DWBBB
- 478WBBB
- 480WBBB
- 480DWBBB
- 55WBBB
- 55LWBBB
- 62WBBB
- 6236WBBB
- RRWBBB
- 91WBBB

HANGING BRACKETS

- CH37
- SH37
- CH27B
- SH27B
- CH28
- SH28

BALLASTS¹¹

- 35HPS¹
- 50HPS²
- 70HPS
- 100HPS
- 150HPS
- 200HPS
- 250HPS
- 50MH
- 70MH
- 100MH
- 150MH
- 175MH
- 250MH
- 26PLT
- 32PLT
- 42PLT
- INCAND

LAMPS⁴

- HPS35/MED
- HPS50/MED
- HPS70/MED
- HPS100/MED
- HPS150/MED
- HPS250/MOG
- MH50/MED
- MH70/MED
- MH100/MED
- MH150/MED
- MH175/MED
- MH250/MOG
- PLT26
- PLT32
- PLT42

FINISHES STANDARD

- BK Black
- VG Verde Green
- PG Park Green
- ABZ Arch Med Bronze
- SI Swedish Iron
- DB Dark Bronze

FINISHES CUSTOM

- WH White
- RT Rust
- CM Custom Match
- OI Old Iron
- TT Two Tone

OPTIONS

- PEC1 Photocell-Bimetal 120 Volt
- PEC2 Photocell-Bimetal 208-277 Volt
- PEC1-E Photocell-Electronic 120 Volt
- PEC2-E Photocell-Electronic 208-277 Volt
- FHS Single Fuse and Holder-120,277 Volt
- FHD Dual Fuse and Holder-208,240,480 Volt
- QR Quartz Re-Strike
- PF Pineapple Finial or Font (TA, TASCRT)
- BF Ball Finial or Font (TA, TASCRT)
- SR¹⁰ Solid Roof
- LAMPS Select from list

NOTES:

- ¹ 35HPS is 120 volt only.
- ² 50HPS available as 120 or 277 volt only. Others are special order.
- ³ Clear Polycarbonate and Acrylic globes are available. Specify CP or CA after globe.
- ⁴ Standard is clear, for coated HID lamps add C (MH70/C/MED). Medium base sockets standard with ballasts up to 175 watts. Mogul base sockets are standard with ballasts 200 watts and over. Mercury vapor ballasts and lamps are available
- ⁵ 250 Watt Maximum
- ⁶ 175 Watt Maximum

- ⁷ 100 Watt Maximum
- ⁸ 70 Watt Maximum
- ⁹ 50 Watt Maximum
- ¹⁰ G16 and G18 globes only.
- ¹¹ Pole Mounted Fixtures - Requires ballast to be remote mounted in pole base except if used with 100 watt max. in 6236B Arms.
- Wall Mounted Fixtures - Requires wall bracket arms with ballast box attached, except if used with 100 watt max. in 6236B or 62 Arms.
- Pier Mounted Fixtures - Requires 673PB Pier Base.
- Hanging Fixtures - Requires hanging bracket with ceiling ballast box attached.

G12 TO G20 PF GLOBE SERIES

SPECIFICATIONS

**LIST NO.
G12 TO G20
PF GLOBE
SERIES****PHOTOCELLS**

Photocells shall be either the thermo bi-metal button type or the electronic button type. On single post top fixtures the photocell shall be mounted in the fitter and pre-wired to ballast. On multiple head fixture assemblies photocells shall be mounted in the pole shaft on an access plate and are not pre-wired as ballast housing assemblies and fitters are packaged separately for ease of wiring to source. The thermo bi-metal photocell shall be designed to turn on at 1.0 footcandle and turn off at not more than 5 footcandles. The electronic button type photocell is instant on and a 5-10 second turn off and shall turn on at 1.5 footcandles with a turn-off at 2-3 footcandles. Photocells are either 120 volt or 208 thru 277 volt.

ARMS

All arms are made of cast aluminum and/or extruded aluminum. Arms with decorative filigree have meticulously detailed scrollwork and gracefully curved brackets. All PF Globe fixtures will be mechanically attached at the factory to ensure arms will be plumb, secure and level over the life of the installation. Each arm shall be bolted to a post mount adapter, which is welded to the pole to ensure proper alignment to the base. TA and 579 arms will be attached the decorative center hub which will fit the center tenon of the pole. Arms are pre-wired for ease of installation.

FINISH

Prior to coating, each assembly shall be chemically cleaned and etched in a 5-stage washing system which includes alkaline cleaning, rinsing, phosphoric etching, reverse osmosis water rinsing, and non-chrome sealing to ensure corrosion resistance and excellent adhesion for the finish coating. The finish coating shall be electrostatically applied semi-gloss, super durable polyester powder baked at 400 degrees for a durable and superior, color retentive finish. Our optional antique Verde Green finish and Swedish Iron finish are hand brushed using a 3-step process. The total assembly shall be wrapped in shockproof wrapping or fully enclosed in corrugated cartons.

WARRANTY

Five-year limited warranty. See product and finish warranty guide for details.

