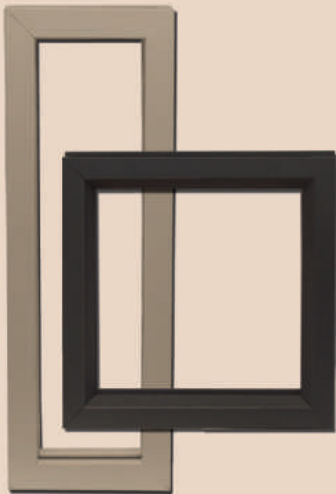


# LITE KITS AND LOUVERS



VENTURA, CA (USA)  
P.O. Box 3780  
Ventura, CA 93006  
PH: 800.283.9988  
FAX: 800.283.4050

MEMPHIS, TN (USA)  
P.O. Box 18966  
Memphis, TN 38181  
PH: 800.824.3018  
FAX: 800.243.3656

VANCOUVER, BC (CANADA)  
103-2480 Mt. Lehman Rd.  
Abbotsford, BC V2T 6W3 Canada  
PH: 877.535.7888  
FAX: 877.535.7444

TORONTO, ON (CANADA)  
160 Four Valley Rd.  
Concord, ON L4K 4T9 Canada  
PH: 866.243.9816  
FAX: 866.243.9817



ASSA ABLOY is the global leader in door opening solutions, dedicated to satisfying end-user needs for security, safety and convenience.

# GENERAL INFORMATION

## Ordering Information

The following information is necessary for ordering (quantities are not included in product numbers):

QUANTITY	SERIES	FINISH	SIZE
10	LT-B1	B	3 x 33

Example: LT-B1 | B | 10X10 (Shown as LT-B1\_ in catalog)

Profile #:	Finish:	Size/Length:
LT-B1	B	10x10 = 10" width x 10" height
LV-FL	G	18x18 = 18" width x 18" height

## Features/Finishes

- Pemko lites and louvers are finished with polyester resin powder coat in the following standard colors:
  - B - Beige
  - D - Dark Bronze Duranodic
  - G - Gray Primer
- Other colors are available. Sample chip required for color match.
- Pemko lites and louvers are made from A40 galvanized steel for additional corrosion protection.
- As with all other Pemko products, lites and louvers can be combined with thresholds, weatherstripping, continuous geared hinges and sliding/folding hardware for free freight allowance.

## Options

- Security Fasteners
- Security Grilles
- 304 Stainless Steel with #4 finish

## Warranty

Pemko products are guaranteed for five (5) years against defects in material or workmanship. Pemko will not be liable for defects or damages arising from improper installation, product modification, incorrect application or storage of product. Written notice of damages must occur within the warranty period. Liability shall be limited to the replacement of product or component determined to be defective and shall not include costs arising from removal or reinstallation of product. Cost of replacement shall not exceed original purchase price. No other claims will be allowed. In no event shall liability be extended to include punitive, incidental or consequential damages arising from use of Pemko products. This is the sole warranty given by Pemko Manufacturing. No other warranty implied or expressed shall be allowed.

# LOW PROFILE-BEVELED LITE KIT

### STANDARD FEATURES:

#### Fasteners:

- #8 x 1-3/4" O.H.S.M.S.

#### Dimensions:

- Minimum width - 2" exposed glass
- Maximum height - 69" exposed glass

#### Other:

- Mitered and welded clean corner construction.
- 37 degree beveled glass stops.

#### Fire Rating:

- Classified in accordance with UBC code standard 7-2 for positive pressure.



### OPTIONAL FEATURES:

#### Materials:

- 304 - #4 stainless steel in 20 gauge material.

#### Finish:

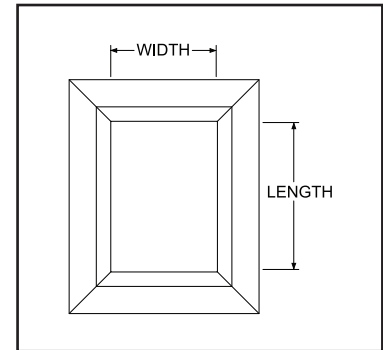
- Custom powder coated finishes (sample chip must accompany order).

#### Fasteners:

- Security fasteners.

#### Other:

- Security grilles.
- Custom glass sizes.



LT-B1	LT-B2	LT-B3	LT-B4
<ul style="list-style-type: none"> <li>20 gauge galvanized hemless design with 3/8" glazing pocket</li> </ul> <p>AVAILABLE FINISHES: B, D, G</p>	<ul style="list-style-type: none"> <li>20 gauge galvanized hemless design with 9/16" glazing pocket</li> </ul> <p>AVAILABLE FINISHES: B, D, G</p>	<ul style="list-style-type: none"> <li>20 gauge galvanized hemless design with 13/16" glazing pocket</li> </ul> <p>AVAILABLE FINISHES: B, D, G</p>	<ul style="list-style-type: none"> <li>20 gauge galvanized hemless design with 1-1/16" glazing pocket</li> </ul> <p>AVAILABLE FINISHES: B, D, G</p>

**LOW PROFILE - 90° LITE KIT**

**STANDARD FEATURES:**

**Fasteners:**

- #8 x 1-3/4" O.H.S.M.S.

**Dimensions:**

- Minimum width - 2" exposed glass
- Maximum height - 69" exposed glass

**Other:**

- Mitered and welded clean corner construction.
- 90 degree square glass stop.

**Fire Rating:**

- Classified in accordance with UBC code standard 7-2 for positive pressure.



**OPTIONAL FEATURES:**

**Materials:**

- 304 - #4 stainless steel in 20 gauge material.

**Finish:**

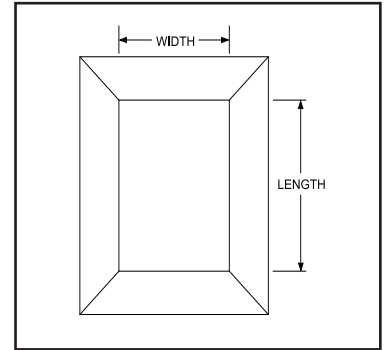
- Custom powder coated finishes (sample chip must accompany order).

**Fasteners:**

- Security fasteners.

**Other:**

- Security grills.
- Custom glass sizes.



LT-S1	LT-S2	LT-S3	LT-S4
<ul style="list-style-type: none"> <li>• 20 gauge galvanized steel for width 3/8" glazing pocket</li> </ul> <p>AVAILABLE FINISHES: B, D, G</p>	<ul style="list-style-type: none"> <li>• 20 gauge galvanized steel with 9/16" glazing pocket</li> </ul> <p>AVAILABLE FINISHES: B, D, G</p>	<ul style="list-style-type: none"> <li>• 20 gauge galvanized steel with 13/16" glazing pocket</li> </ul> <p>AVAILABLE FINISHES: B, D, G</p>	<ul style="list-style-type: none"> <li>• 20 gauge galvanized steel with 1-1/16" glazing pocket</li> </ul> <p>AVAILABLE FINISHES: B, D, G</p>

**INVERTED "Y" LOUVER**

**LV-IY\_**

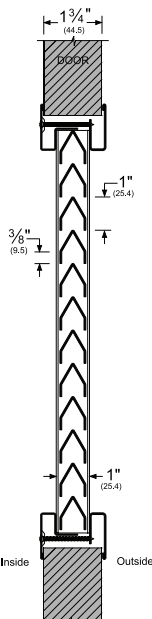
AVAILABLE FINISHES:  
B, D, G

**STANDARD FEATURES:**

- 20 gauge galvanized frame.
- 20 gauge galvanized inverted Y" blades.
- For 1-3/4" doors.
- Free air flow 50%.
- #8 - 15" x1-1/2 O.H.S.M.S.
- Welded corner construction.

**OPTIONAL FEATURES:**

- 304 - #4 stainless steel.
- Louver core only.
- Thru bolts.
- Security screws.
- Security grills.
- Insect screens.
- Custom powder coated finishes (sample chip must accompany order).



**FUSIBLE LINK LOUVER**

**LV-FL\_**

AVAILABLE FINISHES:  
B, D, G

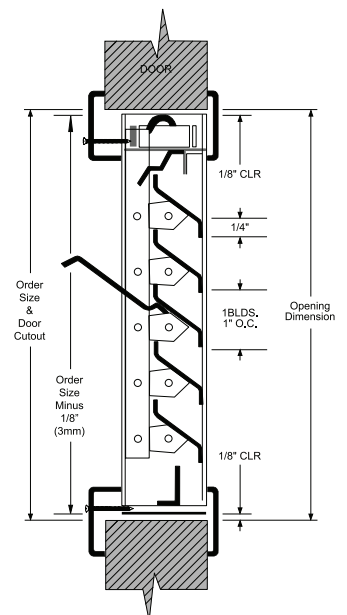
**STANDARD FEATURES:**

- Fastens to one side to ensure security.
- 18 gauge galvanized frame.
- 16 gauge adjustable "Z" blades.
- For 1-3/4" doors.
- Free air flow 50%.
- #8 - 15-1" O.H.S.M.S.
- UL listed.



**OPTIONAL FEATURES:**

- Security screws.
- Custom powder coated finishes (sample chip must accompany order).



# FIRE GLAZING TAPE

- Verify all applications with your door and/or frame manufacturer.
- FG33000S45 and FG3000S90 are specially formulated high-performance fire glazing tapes.

- For exterior fire-rated applications, seal against moisture using standard industry methods.

## FG3000S45



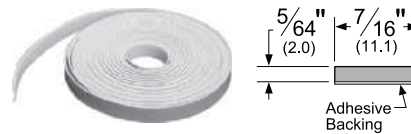
AVAILABLE LENGTHS: 7', 8', 14', 16'



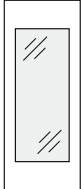
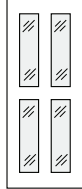
## FG3000S90



AVAILABLE LENGTHS: 8', 16'



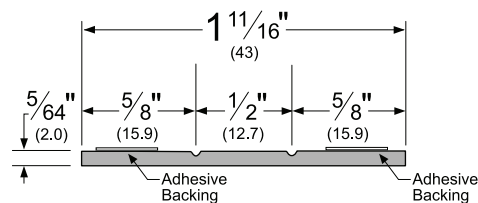
### FIRE GLAZING TAPE IN LARGER LITE APPLICATIONS

 <p><b>SINGLE VISION LITES (WOOD/HOLLOW METAL DOOR)</b></p>	<p><b>MAXIMUM HEIGHT:</b> 84"</p> <p><b>MAXIMUM WIDTH:</b> 34"</p> <p><b>MAXIMUM TOTAL SQUARE INCHES (VISIBLE GLASS AREA):</b> 2,856</p>	<ul style="list-style-type: none"> <li>• In 20-, 45-, 60- and 90-minute rated wood and hollow metal doors with metal vision frames, the use of <b>FG3000</b> fire glazing tape allows for much larger vision lites.</li> <li>• In 20- and 45-minute rated hollow metal screens, the use of <b>FG3000</b> fire glazing tape allows for much larger side lites, borrowed lites and glass transoms.</li> <li>• New allowable visible glass areas for vision lites in 20- and 45-minute rated wood and hollow metal doors with <b>FG3000S45</b> is 2856 square inches with a maximum height of 84" and a maximum width of 34".</li> </ul>
 <p><b>MULTIPLE VISION LITES (HOLLOW METAL DOOR)</b></p>	<p><b>MAXIMUM HEIGHT (EACH LITE):</b> 12"</p> <p><b>MAXIMUM WIDTH (EACH LITE):</b> 46"</p> <p><b>MAXIMUM COMBINED SQUARE INCHES (ALL VISIBLE GLASS AREAS):</b> 2,208</p>	<ul style="list-style-type: none"> <li>• For 90-minute hollow metal doors with <b>FG3000</b> fire glazing tape, 12" x 46" vision lites are allowed, but the total number of lites must not exceed four (4) per door. The combined total visible glass area allowed is 2208 square inches.</li> </ul>

## FGL3000



AVAILABLE LENGTHS: 8'



FGL3000 is used with Pyroshield® Plus for 20, 45, 60 and 90 minute ratings.

### SECTIONAL VIEW OF APPLICATION

Hollow metal frame for a side lite, borrowed lite or transom condition.

