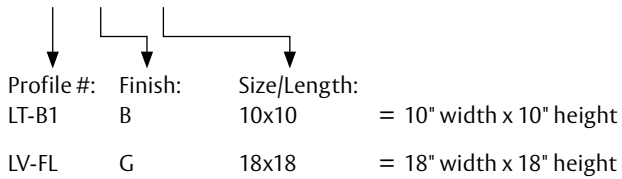


Lite Kit Ordering Information

The following information is necessary for ordering (quantities are not included in product numbers):

Quantity	Series	Finish	Size
10	LT-B1	B	3 x 33

Example: LT-B1 | B | 10X10 (Shown as LT-B1_ in catalog)



Lite Kits can be ordered using either exposed glass dimensions or door cutout dimensions. The following chart shows available stock sizes. The part numbers and dimensions corresponding to the desired frame size should be used in the order string.

Custom sizes are available within the following guidelines:

- Minimum width - 2" exposed glass
- Maximum height - 80" exposed glass

Please refer to the price book for more information on custom sizes.

In Stock Lite Kit Part Numbers

Exposed Glass		Cutout	
Profile #	Dimensions	Profile #	Dimensions
LT-B1	10" x 10"	CO-B1	12" x 12"
LT-B1	16" x 16"	CO-B1	18" x 18"
LT-B1	5" x 20"	CO-B1	7" x 22"
LT-B1	22" x 22"	CO-B1	24" x 24"
LT-B1	4" x 25"	CO-B1	6" x 27"
LT-B1	16" x 28"	CO-B1	18" x 30"
LT-B1	22" x 28"	CO-B1	24" x 30"
LT-B1	6" x 30"	CO-B1	8" x 32"
LT-B1	22" x 30"	CO-B1	24" x 32"
LT-B1	22" x 32"	CO-B1	24" x 34"
LT-B1	3" x 33"	CO-B1	5" x 35"
LT-B1	16" x 34"	CO-B1	18" x 36"
LT-B1	22" x 34"	CO-B1	24" x 36"
LT-B1	22" x 58"	CO-B1	24" x 60"

ASSA ABLOY

The global leader in
door opening solutions

Low Profile - Beveled Lite Kit

The LT-B1 Lite Kit provides a wide viewing angle. For use with glazing material requiring a 3/8" pocket in 1 3/4" wood or metal doors. The LT-B1 installs without drilling holes through the door for quick installation. The hemmed design is a flush mounted assembly and is ideal for clean environments.

LT-B1_

AVAILABLE FINISHES: **B, D, G, NP**

Standard Features

Materials:

22 gauge galvanized steel blank side and 20 gauge galvanized steel inner frame

Colors:

PEMKO lites are finished with polyester resin powder coat in the following standard colors:

- B - Beige
- D - Dark Bronze Duranodic
- G - Gray Primer
- NP - Galvanized Steel

Fasteners:

#8 x 1 3/4" O.H.S.M.S.

Dimensions:

- Minimum width - 2" exposed glass
- Maximum height - 80" exposed glass

Other:

- Mitered and welded clean corner construction
- 37° beveled glass stops

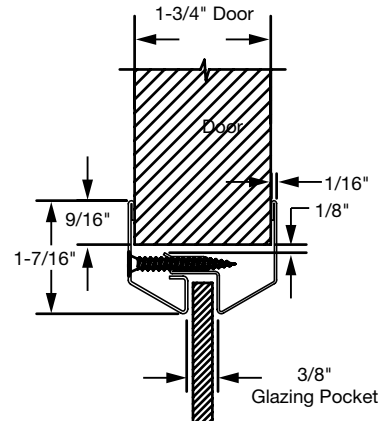
Fire Rating:

Classified in accordance with UBC code standard 7-2 for positive pressure

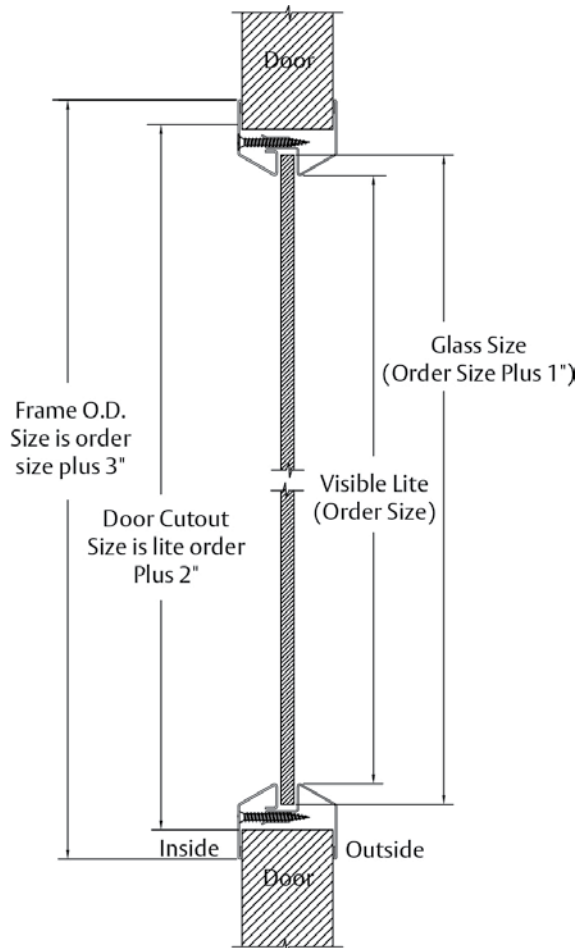


Optional Features:

- Custom colors are available
- Sample chip is required for color match
- Security fasteners are available



Specifications for ordering custom size LT-B1 Kits



AVAILABLE FINISHES FOR PRODUCTS SHOWN ON THIS PAGE (see General Information section for finish chart)
B (Beige Powder Coat) **D** (Dark Bronze Duranodic Powder Coat) **G** (Gray Primer Powder Coat) **NP** (Galvanized Steel)

ASSA ABLOY

The global leader in door opening solutions