

Enhance the Décor and Functionality of Doors



Lites

PEMKO Lite Kits increase light flow into a room or hallway. Safety and security are also enhanced as activities on each side of the door can be seen without interruption. In addition, Lite Kits can complement the design of the door and the whole room by bringing an added decorative touch. PEMKO Lite Kits are available in two different low profile glass stop styles: a beveled style and a 90 degree style.



Louvers

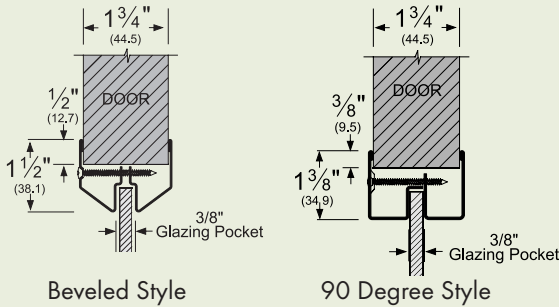
PEMKO Louvers allow air to circulate through a closed door. This is especially useful in situations where temperatures can range widely, such as in manufacturing plants. Louvers provide 50% free air flow. A mitered frame secures the grill assembly and gives a clean appearance. PEMKO Louvers are available in two different styles: an inverted Y louver style, and a fusible link style.

Applications:

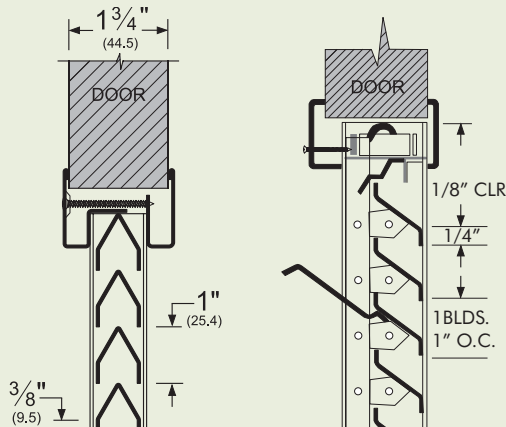
- Schools
- Offices
- Healthcare Facilities
- Manufacturing Plants

Technical Specifications

PEMKO Lite Kits have a minimum width of 2" exposed glass and maximum height of 69" exposed glass. Two styles and four popular sized glazing pockets are available: 3/8", 9/16", 13/16", and 1-1/16". Matching grills in various configurations are available.



PEMKO Louvers are designed for standard 1-3/4" wood or metal doors. Two styles are available. Provides 50% free air flow.



Inverted Y Style

Fusible Link Style

Material: Powder-coat finished, galvanized steel (18 or 20 gauge depending on model)

Colors: Gray Primer, Dark Bronze, California Beige. Custom powder coated finishes are available. Matching trims available.

Fasteners included.

Features and Benefits

Lites

Features	Benefits
Adds window portal to door, increasing light on either side of door and ability to have visual contact thru the door.	Increases safety and security. Minimizes interruptions.
Standard and custom sizes	Quick turnaround on stock sizes and able to accommodate any window size needed
Add to classified hollow-metal type and composite type fire doors.	Fits most popular type of interior and exterior doors- can be used in multiple locations
20 gauge galvanized steel	Provides rust protection and security
Fire-rated (UL #GVVX.R25986)	Meet building specifications

Louvers

Features	Benefits
Adds louver to door, increasing air circulation on either side of door	Air circulates allowing temperature to moderate
Standard and custom sizes	Quick turnaround on stock sizes and able to accommodate any size needed
Add to classified hollow-metal type and composite type fire doors.	Fits most popular type of interior and exterior doors- can be used in multiple locations
20 gauge galvanized steel (Model LV-FL is 18 gauge)	Provides rust protection and security
Model LV-FL has fusible links and is Fire-rated (UL #GVZS.R25987)	Meet building specifications

Fire Rating

Lites

Fire Rated (UL# GVVX.R25986):
Model LT-B1, LT-B2, LT-B3, LT-B4,
LT-S1, LT-S2, LT-S3 and LT-S4

Louvers

Fire Rated (UL# GVZS.R25987)
Model LV-FL. Louver size not
exceeding 24" wide and 24" high.



ASSA ABLOY, the global leader in door opening solutions

Ventura, CA USA
P: 800.283.9988
F: 800.283.4050

Memphis, TN USA
P: 800.824.3018
F: 800.243.3656

Vancouver, BC CA
P: 877.535.7888
F: 877.535.7444

Toronto, ON CA
P: 877.535.7888
F: 877.535.7444

Copyright © 2011 Pemko Manufacturing Company, an ASSA ABLOY Group company. All rights reserved. Reproduction in whole or in part without the express written permission of Pemko Manufacturing Company is prohibited. 80009-5/11

www.pemko.com

