



## CONTENTS:

H180A Series .....	230
SHS80 Series .....	231
Sliding 200 Series .....	232
Side Wall Track System .....	233
Bypass Track Series .....	234
SIM200A Series .....	235
LP200 Series .....	236
Sirocco Series .....	237
H300S-OH Series .....	238
H300S-SW Series .....	239
H440A-OH Series .....	240
H440A-SW Series .....	241
H600S-OH Series .....	242
H600S-SW Series .....	243
H800S-OH Series .....	244
H800S-SW Series .....	245
H1100A-OH Series .....	246
H1100A-SW Series .....	247
Husky Sliding Glass Series .....	248
Pocket Frame Kit .....	249
Folding 100 Series .....	250
Pacer Interior End Fold Series .....	251
Flexirol Interior End Fold Series .....	252
Sliding Track Hardware System for Wood Doors .....	253-257
Sliding Track Hardware System for Glass Doors .....	258-262
SIM150- 2 Door .....	263
SIM150- 3 Door.....	264
Options & Accessories .....	265

## INDEX:

PRODUCT	PAGE	PRODUCT	PAGE	PRODUCT	PAGE	PRODUCT	PAGE
12.....	258	1A/290.....	239	556/57.....	246-247	PFAS100.....	249
22.....	260	1A/290/EC.....	238-239	57A/N.....	244-245	PFAS88.....	249
32.....	259	1A/301.....	243, 245	57A/S.....	242-243	PFBG-4.....	249, 265
42.....	261	1A/301/EC.....	242-245	57B.....	240-241	PFBG-8.....	249, 265
52.....	262	1A/550.....	247	57K/N.....	238-239	PFBS.....	249, 265
62.....	253	1AX/290.....	239	600A.....	240-241, 251	PFCDKIT.....	249
72.....	254	1AX/301.....	234, 245	601H.....	231, 235, 248, 265	PFFC-8.....	249
82.....	255	1B.....	241	601P.....	240-241	PFHB-1.....	249
92.....	256	1BX.....	241	8-12/SN.....	248	PFHB-2.....	249
111.....	257	21/550/P.....	252	89/2N.....	238-247	PFHS.....	249
280.....	231-232, 235-236, 248, 250	21B/P.....	251	94A.....	230-236, 238-247, 250-257, 265	PFKIT-4.....	249
281.....	231-232, 235-236, 248, 250, 265	21B0/4.....	251	971A.....	230-232, 235-236, 238, 240, 242, 244, 246, 250-252, 265	PFKIT-8.....	249
283.....	250	21N/94.....	251	BAR.....	253-262	PIF2/165A.....	251
284.....	232-235	21R/94.....	252	BRACKET2.....	253-262	PIF4/165A.....	251
286.....	232-234, 265	280.....	233	DELLH/DELRH.....	237	SHS80.....	231
290.....	238-239	2802BT.....	234, 265	EPD3.....	230-232, 234-235, 253-257, 263-264	SIM100.....	235
301.....	242-245	2803.....	264	F1F4/275A.....	252	SIM150.....	263-264
2812.....	234, 265	280_SWTKIT.....	233	F134.....	230-232, 234-235, 263-265	SIM150-BOLTKIT.....	263-264
102N.....	230-236, 238-245, 253-257, 265	282HD.....	250	F160C.....	240	SIM150-LOCKKIT.....	263-264
102WA.....	230-233, 235, 239, 241, 245, 265	284D.....	248	F160ECP.....	240	SIM200A.....	235
102WN.....	230-233, 235, 239, 241, 243, 245	287HD.....	230, 232, 234, 265	F200C.....	241	SIRF/2500.....	237
106HF/94.....	250	289B.....	250	F200ECP.....	241	SIRLH/SIRRH.....	237
106N/94.....	265	289T.....	250	F234.....	248, 265	STOP1.....	259, 265
106R/94.....	230-236, 238-247, 253-257, 265	3A/290.....	238	G60 to G100.....	258-262	STOP2.....	253-262
1075C.....	230	3A/301.....	242, 244	GLASSGUIDE.....	258-262	W60 to W100.....	253-257
1076.....	230	3AX/290.....	238	FIF2/275A.....	252	WOODGUIDE.....	253-257
		3AX/301.....	242, 244	H200PACK.....	232-234,		
		403/2.....	251-252				
		550A.....	246-247, 252				
		556/21.....	252				

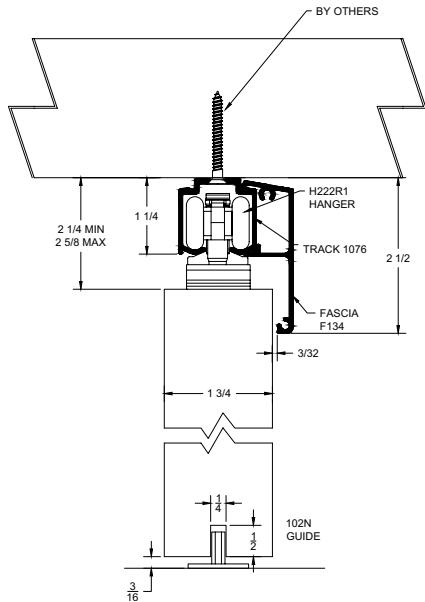
## ASSA ABLOY

The global leader in  
door opening solutions

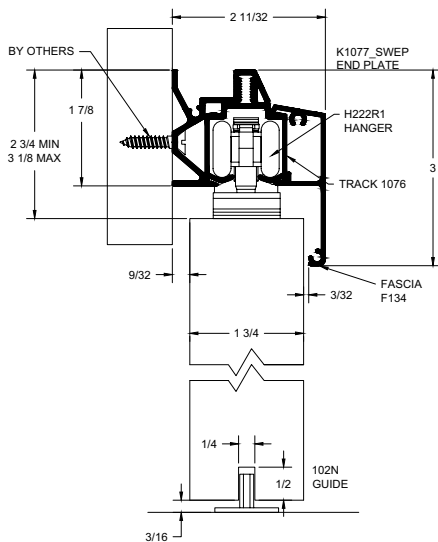
## H180A Series

For Sliding Panels up to 180 lbs.

### Overhead Mount



### Side Wall Mount



### Configurations:

- Single
- Bi-parting

### Installations:

- Overhead Mount
- Side Wall Mount

### Features:

- Hanger body is made of nickel plated zinc alloy for durability and long life
- Zinc alloy ball bearing wheels coated in nylon for smooth operation
- 180 lb. panel capacity
- Optional side wall bracket reduces the amount of wall space needed to mount the track
- 5 year warranty

### H180A Kits Include:

- 1 ea **1076C** Clear Anodized Aluminum Track
- 2 ea **H222R1** - Nickel Plated Zinc Alloy Body Zinc Alloy Wheels Coated in Nylon
- 2 ea **287HD** Rubber Bumper In-Track Stop
- 1 ea **102N** White Nylon Mortise Guide

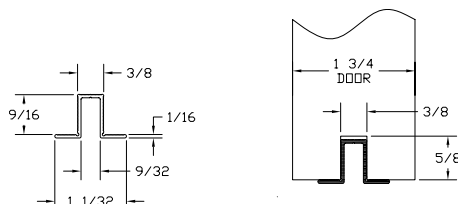
### Standard Kit Sizes

Part Number	Material	Track Length	Door Width
H180A/6	Aluminum	72"	36"
H180A/8	Aluminum	96"	48"
H180A/10	Aluminum	120"	60"
H180A/12	Aluminum	144"	72"

### Options: See page 265

- Fascia **F134C** clear anodized aluminum fascia
- F134D** dark bronze anodized fascia
- Side Wall Track Bracket **1075C** clear anodized aluminum bracket- order same length as track
- 1076D** dark bronze anodized track
- Track **K1077C-SWEP** (use with F134C fascia and 1075C side wall bracket only)
- End Plate Kit **K1077D-SWEP** (use with F134D fascia and 1075D side wall bracket only)
- Bottom Channel **94A**
- Roller Guide **106R/94**
- Threshold **971A**
- Side Wall Mount Mortise Guides **102WN** (nylon) and **102WA** (steel)
- Polypropylene Guide Rail **EPD3BL** for use with 102N or 102WN

### Alternate Route for EPD3BL



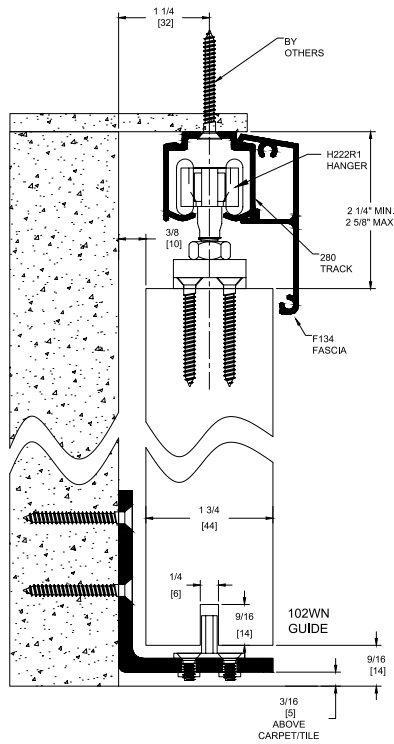
**ASSA ABLOY**

The global leader in door opening solutions

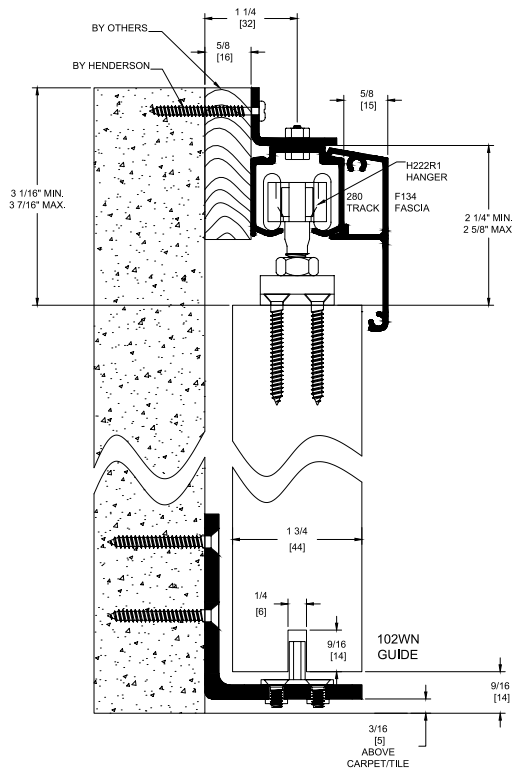
## SHS80 Series

For Sliding Panels up to 180 lbs.

### Overhead Mount



### Side Wall Mount



### Configurations:

- Single
- Bi-parting

### Installations:

- Overhead Mount
- Side Wall Mount

### Features:

- Hanger body is made of nickel plated zinc alloy for durability and long life
- Zinc alloy ball bearing wheels coated in nylon for smooth operation
- 180 lb. panel capacity
- 5 year warranty

### SHS80 Kits Include:

- 1 ea **280C** Clear Anodized Aluminum Track
- 2 ea **H222R1** - Nickel Plated Zinc Alloy Body
- 2 ea **601H** Nylon In-Track Clip Stop
- 1 ea **102WN** White Nylon Mortise Guide on Zinc Plated Steel "L" Metal

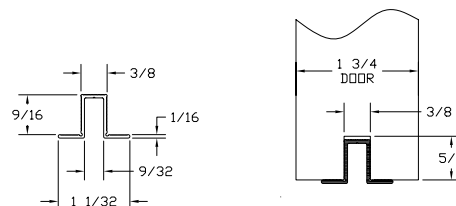
### Standard Kit Sizes

Part Number	Material	Track Length	Door Width
SHS80/6	Aluminum	72"	36"
SHS80/8	Aluminum	96"	48"

### Options: See page 265

- Fascia **F134C** clear anodized aluminum fascia  
**F134D** dark bronze anodized fascia
- Side Wall Track Brackets **281** available as 5 pack only, 2815
- Track **280D** dark bronze anodized track
- End Plate Kit **K134EP** (use with F134C and 280C only)  
**K134DEP** (use with F134D and 280D only)
- Bottom Channel **94A**
- Roller Guide **106R/94**
- Threshold **971A**
- Side Wall Mount Mortise Guides **102WA**
- Mortise Floor Guide **102N**
- Polypropylene Guide Rail **EPD3BL** for use with 102N or 102WN

### Alternate Route for EPD3BL



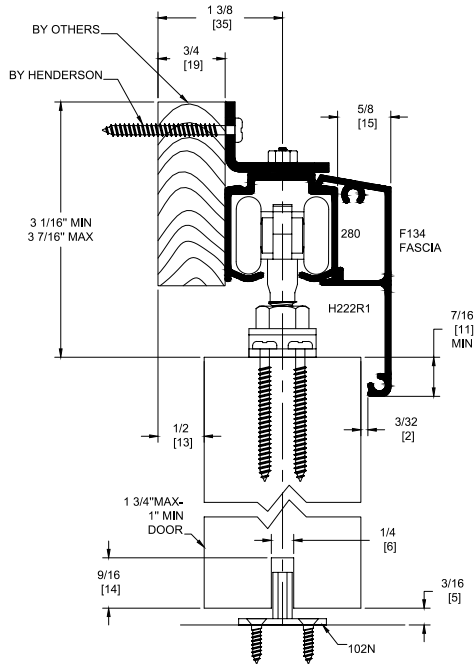
**ASSA ABLOY**

The global leader in  
 door opening solutions

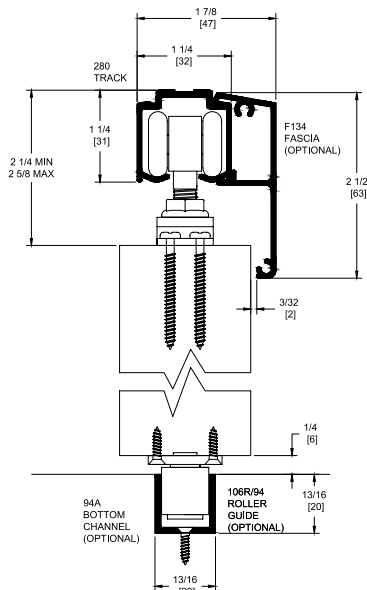
## Sliding 200 Series

For Sliding Panels up to 200 lbs.  
Manufactured by P.C. Henderson

### 280C Side Wall Mounted



### 280C Soffit Mounted with Fascia



# ASSA ABLOY

The global leader in  
door opening solutions

### Configurations:

- Single
- Bi-parting

### Installations:

- Overhead Mount
- Side Wall Mount
- Face/Face Fixed Mount with Fascia

### Features:

- Hanger body is made of nickel plated zinc alloy for durability and long life
- Zinc alloy ball bearing wheels coated in nylon for smooth operation
- 200 lb. panel capacity
- Galvanized steel track 280
- Clear anodized aluminum track 280C
- 2 year warranty

### H200A Kits Include:

- 1 ea **280C** Clear Anodized Aluminum Track
- 2 ea **H222R1** Hangers
- 1 ea **102N** Nylon Guide
- 2 ea **TELS-14KIT** Stops
- 1 ea Adjusting Wrench and Mounting Hardware

### H200 Kits Include:

- 1 ea **280** Steel Track
- 2 ea **H222R1** Hangers
- 1 ea **102N** Nylon Guide
- 2 ea **TELS-14KIT** Stops
- 1 ea Adjusting Wrench and Mounting Hardware

### Standard Kit Sizes

Part Number	Material	Track Length	Door Width
H200A/4	Aluminum	48"	24"
H200A/5-4	Aluminum	64"	32"
H200A/6	Aluminum	72"	36"
H200A/7	Aluminum	84"	42"
H200A/8	Aluminum	96"	48"
H200A/10	Aluminum	120"	60"
H200A/12	Aluminum	144"	72"
H200/6	Steel	72"	36"
H200/8	Steel	96"	48"

### Options: See page 265

Hardware Kit  
Mounting Bracket

Track Stop (bumper)  
Bottom Channel  
Fascia, Snap-On

Track  
Roller Guide  
Side Wall Mortise Guide  
Threshold  
End Plate

Polypropylene Guide Rail

### H200PACK

**281** available as 5 pack only, **2815**  
NOTE: Need one at each end and no more than 3 feet in between.

Fasteners included

### 287HD

### 94A

**F134C** in clear anodized (**280C** only)

**F134D** dark bronze anodized fascia

**280D** dark bronze anodized

### 106R/94

**102WA** (steel) and **102WN** (nylon)

### 971A

**K134EP** (use with F134C and 280C only) **K134DEP** (use with F134D and 280D only)

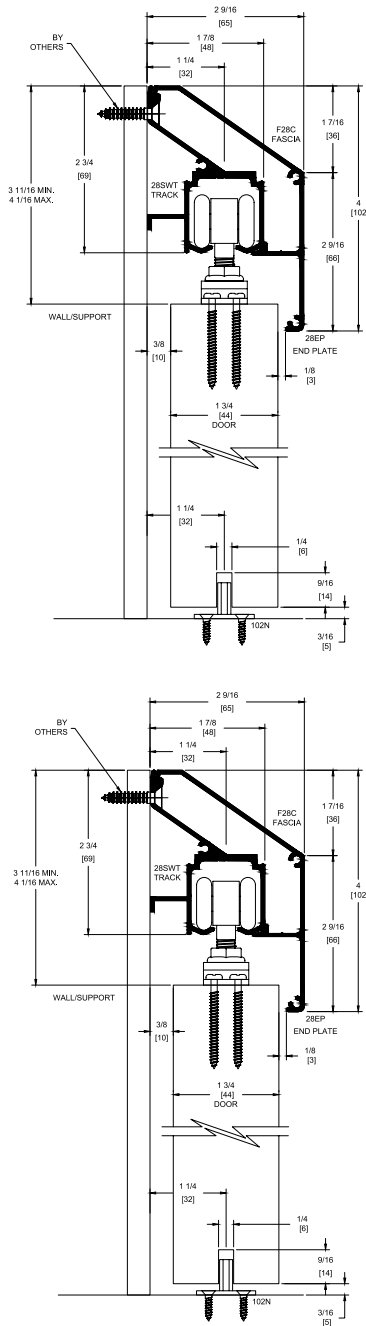
**EPD3BL** for use with 102N or 102WN

## Side Wall Track (SWT) System

For Sliding Panels up to 200 lbs.

The PEMKO Side Wall Track System has a unique mounting bracket that is extruded with the track. An innovative wall mounted bottom guide assembly allows carpet to be replaced without removing the door.

### SWT Kit Side Wall Mounted



### Configurations:

- Single
- Bi-parting

### Features:

- Unique mounting bracket extruded into track
- Supports up to 200 lbs. per door
- Quick, easy attachment
- No additional shims needed
- New construction or retrofit
- 5 year warranty

### 280SWT Kits Include:

- 1ea **280\_SWT** Aluminum Track
- 1ea **280\_-SWF** Aluminum Fascia
- 1ea **K28\_-SWEP** Pair of End Plates
- 2ea **H222R1** Hangers
- 2ea **TELS-14KIT** In Track Stops
- 1ea **102N** White Nylon Mortise Guide
- 1ea **102WA** Wall Mounted Mortise Guide
- 1ea Adjusting Wrench

### Standard Kit Sizes

Part Number	Track Length	Door Width
(Mill Finished Track/Clear Anodized Fascia/End Plates)		
280C-SWTKIT/5	60"	30"
280C-SWTKIT/6	72"	36"
280C-SWTKIT/8	96"	48"
280C-SWTKIT/12*	144"	2 @ 36"
(Dark Bronze Anodized Track/Fascia/End Plates)		
280D-SWTKIT/5	60"	30"
280D-SWTKIT/6	72"	36"
280D-SWTKIT/8	96"	48"
280D-SWTKIT/12*	144"	2 @ 36"

\*NOTE: 280\_-SWTKIT/12 comes with enough hardware for two doors.

### Options: See page 265

- Hardware Kit (one door) **H200PACK**
- Roller Guide **106R/94**
- Bottom Channel **94A**
- Nylon Mortise Guide **102WN**

AVAILABLE FINISHES FOR PRODUCTS SHOWN ON THIS PAGE (see General Information section for finish chart)  
**A** (Mill Finish Aluminum) **C** (Anodized Aluminum) **D** (Dark Bronze Anodized)

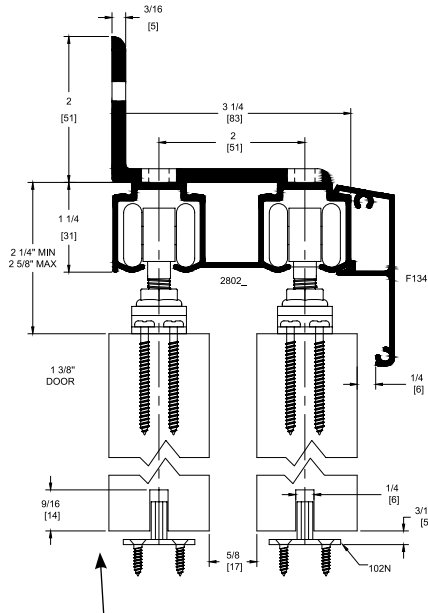
**ASSA ABLOY**

## Bypass Track Series

For Bypass Panels up to 200 lbs.

### 1 3/8" Thick Doors

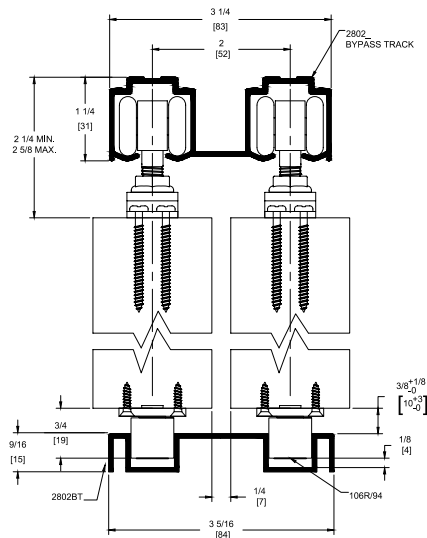
#### Doors Side Wall Mount



NOTE: Route door 9/16" deep by 1/4" wide to receive 102N Guide.

### 1 3/4" Thick Doors

#### Overhead Mount



\* Side Wall mounting: use one (1) 2812 Kit per 3 ft. of track.

#### Configurations:

- For Bypass Doors

#### Features:

- Fits 1 3/8" and 1 3/4" doors
- Hanger body is made of nickel plated zinc alloy for durability and long life
- Zinc alloy ball bearing wheels coated in nylon for smooth operation
- 200 lb. panel capacity
- Load capacity 200 lbs. per door panel (2 hangers)
- Extruded aluminum track
- 5 year warranty

#### HBP200A Kits Include:

- 1 ea **2802C** Clear Anodized Aluminum Track
- 4 ea **H222R1** Hangers
- 2 ea **102N** White Nylon Mortise Guide
- 4 ea **TELS-14KIT** In Track Stops
- 1 ea Adjusting Wrench and Mounting Hardware

#### Standard Kit Sizes

Part Number	Track Length	Door Width
HBP200A/4	48"	2 @ 24"
HBP200A/ 5-4	64"	2 @ 32"
HBP200A/6	72"	2 @ 36"
HBP200A/7	84"	2 @ 42"
HBP200A/8	96"	2 @ 48"
HBP200A/10	120"	2 @ 60"
HBP200A/12	144"	2 @ 72"

#### Options: See page 265

Hardware Kit	<b>H200PACK</b>
Mounting Bracket	<b>2812</b>
Track	<b>2802D</b> dark bronze anodized track
Track Stop (bumper)	<b>287HD</b>
Bottom Channel	<b>94A</b>
Fascia, Snap-On	<b>F134C</b> clear anodized aluminum fascia. <b>F134D</b> dark bronze anodized aluminum fascia
Roller Guide	<b>106R/94</b>
Dual Guide Channel	<b>2802BT</b>
Polypropylene Guide Rail	<b>EPD3BL</b> for use with 102N

# ASSA ABLOY

The global leader in  
door opening solutions

AVAILABLE FINISHES FOR PRODUCTS SHOWN ON THIS PAGE (see General Information section for finish chart)  
A (Mill Finish Aluminum) C (Clear Anodized)

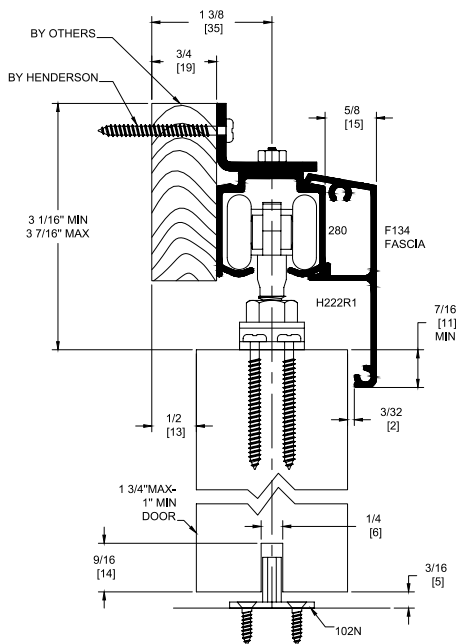
## SIM200A Series

For Sliding Doors up to 48" wide and 200 lbs.

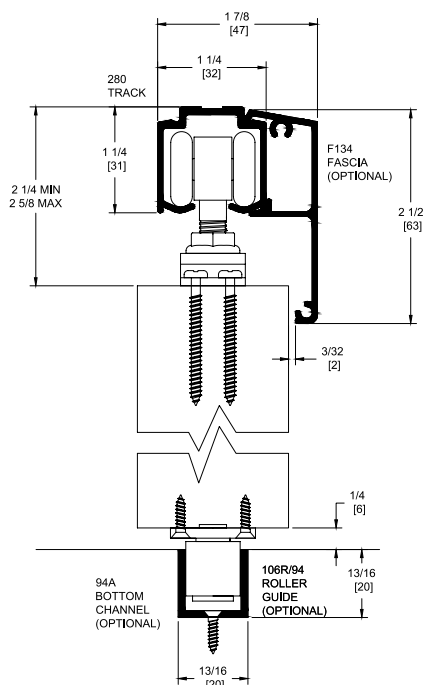
Manufactured by P.C. Henderson

**HENDERSON**

### Side Wall Mount



### Overhead Mount



Simultaneous Action Unit (SIM) allows the simultaneous operation of two doors.

#### Configurations:

- Bi-parting

#### Installations:

- Overhead Mount
- Side Wall Mount

#### Features:

- Allows individual bi-part doors to act as a single operating unit. When one door is opened or closed, the second door operates simultaneously
- 200 lb. panel capacity
- Hanger body is made of nickel plated zinc alloy for durability and long life
- Zinc alloy ball bearing wheels coated in nylon for smooth operation
- Clear anodized aluminum track 280C
- 2 year warranty

### SIM200A Kits Include:

- 1 ea **280C** Clear Anodized Aluminum Track
- 4 ea **H222R1** Hangers
- 4 ea **601H** Nylon In-Track Clip Stop
- 2 ea **102N** White Nylon Mortise Guide
- 1 ea **SIM100** Cable and Pulley Kit

#### Standard Kit Sizes

Part Number	Material	Track Length	Door Width
SIM200A/6	Aluminum	72"	2 @ 18"
SIM200A/8	Aluminum	96"	2 @ 24"
SIM200A/12	Aluminum	2 @ 72"	2 @ 36"
SIM200A/16	Aluminum	2 @ 96"	2 @ 48"

#### Options: See page 265

- Fascia
  - F134C** clear anodized aluminum fascia
  - F134D** dark bronze anodized fascia
  - 280D** dark bronze anodized
- Side Wall Track Brackets
  - 281** available as 5 pack only, **2815**
  - NOTE: Need one at each end and no more than 3 feet in between. Fasteners included.
- End Plates
  - K134EP** (use with F134C only)
  - K134DEP** (use with F134D only)
- Bottom Channel
  - 94A**
- Roller Guide
  - 106R/94**
- Threshold
  - 971A**
- Side Wall Mortise Guides
  - 102WN** (nylon) and **102WA** (steel)
- Polypropylene Guide Rail
  - EPD3BL** for use with 102N or 102WN

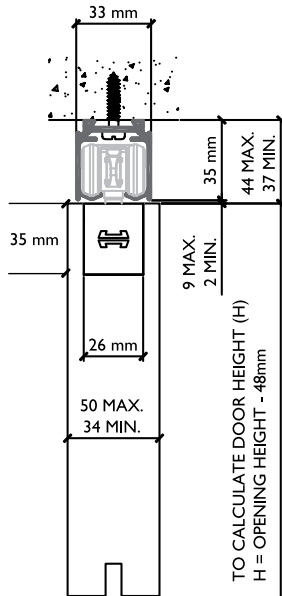
**ASSA ABLOY**

The global leader in  
 door opening solutions

## LP200 Series

For Sliding Panels up to 200 lbs.  
Manufactured by P.C. Henderson

HENDERSON



Low profile design for use where space is limited.

### Configurations:

- Single
- Bi-parting

### Installations:

- Overhead Mount
- Side Wall Mount

### Features:

- Used to maximize door height
- Designed to give a modern clean finish with all parts concealed. Ideal for applications where minimal clearance between track and door is required
- Easy installation and adjustment
- 200 lb. panel capacity
- Needle bearing nylon wheels for smooth operation
- Clear anodized aluminum track 280C
- 2 year warranty

### LP200A Kits Include:

- 1 ea **280C** Clear Anodized Aluminum Track
- 1 ea **LH100** Hardware Kit

### LH100 Hardware Kits Include:

- 2 ea Low Head Room Units
- 2 ea End Caps
- 2 ea In-Track Clip Stops
- 1 ea Screw Pack
- 2 ea Low Head Room Hangers
- 1 ea **102N** White Nylon Mortise Guide
- 1 ea Small Spanner and 4mm Allen Key

### Standard Kit Sizes

Part Number	Material	Track Length	Door Width
LP200A/6	Aluminum	72"	36"
LP200A/8	Aluminum	96"	48"
LP200A/10	Aluminum	120"	60"

**Options:** See page 265

Side Wall Track Bracket

**281** available as 5 pack only,  
**2815**

Note: Need one at each end and no more than 3 feet in between. Fasteners included.

Bottom Channel

**94A**

Roller Guide

**106R/94**

Threshold

**971A**

**ASSA ABLOY**

The global leader in  
door opening solutions

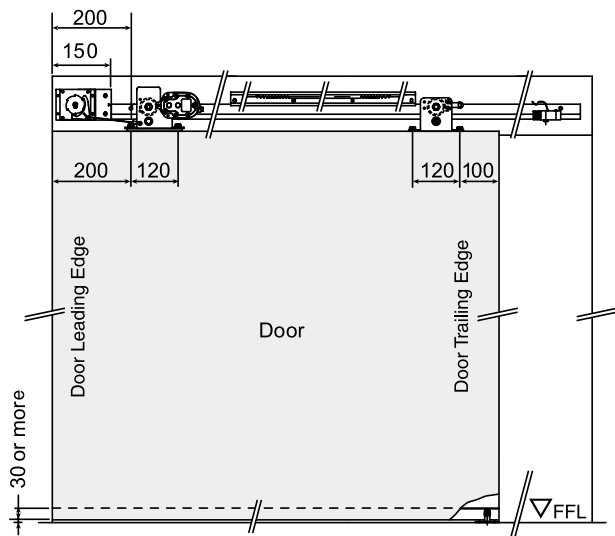


## Sirocco Series

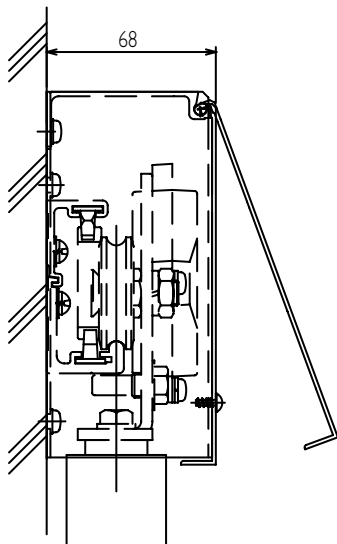
For Sliding Panels up to 200 lbs.

Manufactured by P.C. Henderson

**HENDERSON**



Right Hand SIRRH Shown Above and Below



The Sirocco system is a quiet, user friendly, self closing system which brings the door gently to a close.

The integrated hydraulic soft stop brings the door to a safe and cushioned close making it ideal for disabled access systems or public areas. The internal door brake can also be adjusted to allow the user to dictate the speed of opening preventing damage to the door and system.

**Configurations:**

- Single

**Installations:**

- Side Wall Mount

**Features:**

- Self closing system for a single door from 31<sup>1</sup>/<sub>2</sub>" to 47<sup>1</sup>/<sub>4</sub>" wide and up to 200 lbs.
- Interior applications only
- Comes complete with a hydraulically controlled soft close feature
- Adjustable closing speed
- Door brake to reduce opening speed to prevent damage to the door and system
- Optional hold open unit giving adjustable time delay before self closing
- Operational between temperature ranges of 50 to 104 degrees Fahrenheit
- 2 year warranty

### Sirocco Series Kits Include:

- 1 ea Track 86.61" long
- 1 ea Leading hanger
- 1 ea Trailing hanger
- 1 ea Hydraulic Control Unit
- 1 ea Closing brake rack
- 1 ea Opening brake rack
- 1 ea Power spring mounting bracket
- 7 ea Height adjustment plates
- 1 ea Power spring unit
- 1 ea Guide roller
- 1 ea Opening door stop
- 1 ea Door stop roller
- 1 ea Closing door stop
- 2 ea Wooden door plate (and all required screws and bolts)

Standard Kits	
Part Number	Description
SIRRH	Right Hand Opening Kit
SIRLH	Left Hand Opening Kit

**Options:**

- SIRF/2500** 98" Fascia
- DELRH** Delayed Closing Timer Right Hand
- DELLH** Delayed Closing Timer Left Hand

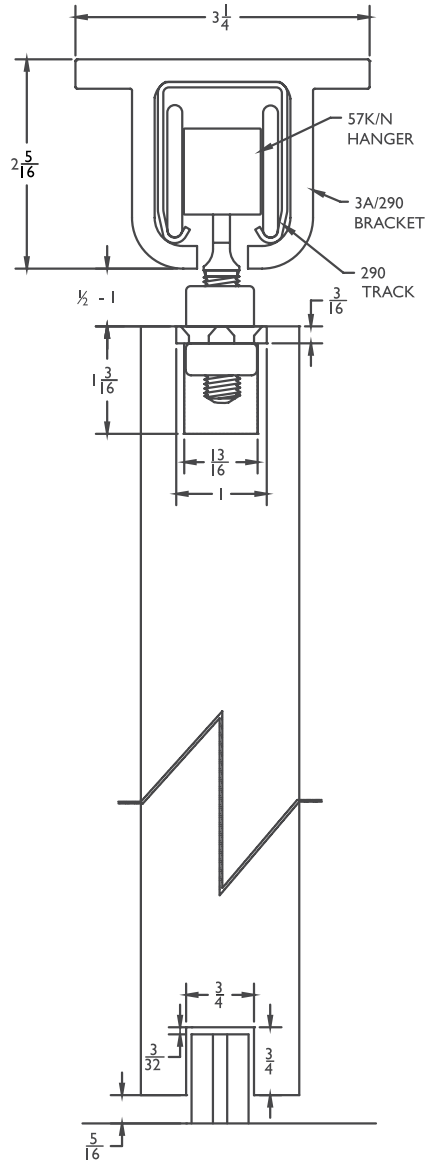
**ASSA ABLOY**

The global leader in door opening solutions

## H300S-OH Series

For Sliding Panels up to 300 lbs.  
Manufactured by P.C. Henderson

HENDERSON



### Configurations:

- Single
- Bi-parting

### Installations:

- Overhead Mount

### Features:

- Overhead mount system
- Nylon wheels for smooth operation
- 300 lb. panel capacity
- Galvanized steel track 290
- 2 year warranty

### H300S-OH Kits Include:

- 1 ea **290** Galvanized Steel Track
- **3A/290** Aluminum Alloy Overhead Mount Track Brackets (One at each end and no more than 3 feet in between)
- 2 ea **1A/290/EC** Aluminum Alloy End Caps
- 2 ea **57K/N** White Nylon Body and Wheels, Zinc Coated Steel Pendant Bolt Hangers
- 2 ea **HH3/290** Galvanized Steel In-Track Stop
- 1 ea **89/2N** Gray Nylon Mortise Guide

### Standard Kit Sizes

Part Number	Material	Track Length	Door Width
H300S-OH/6	Steel	72"	36"
H300S-OH/8	Steel	96"	48"
H300S-OH/10	Steel	120"	60"
H300S-OH/12	Steel	144"	72"

**Options:** See page 265

Bottom Channel	<b>94A</b>
Roller Guide	<b>106R/94</b>
Threshold	<b>971A</b>
Joining Bracket	<b>3AX/290</b>
Mortise Guides	<b>102N</b>

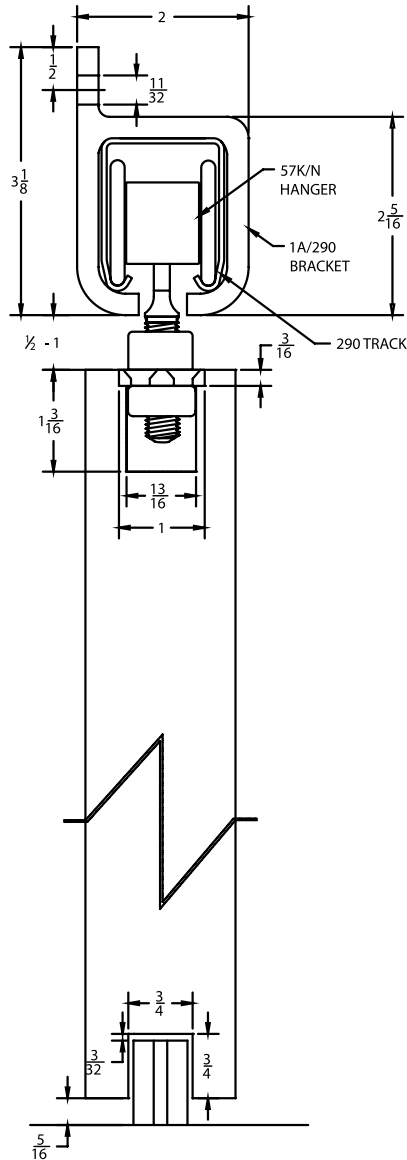
## ASSA ABLOY

The global leader in  
door opening solutions

## H300S-SW Series

For Sliding Panels up to 300 lbs.  
Manufactured by P.C. Henderson

HENDERSON



### Configurations:

- Single
- Bi-parting

### Installations:

- Side Wall Mount

### Features:

- Side wall mount system
- Nylon wheels for smooth operation
- 300 lb. panel capacity
- Galvanized steel track 290
- 2 year warranty

### H300S-SW Kits Include:

- 1 ea **290** Galvanized Steel Track
- **1A/290** Side Wall Mount Track Brackets (One at each end and no more than three feet in between)
- 2 ea **1A/290/EC** Aluminum Alloy End Caps
- 2 ea **57K/N** White Nylon Body and Wheels, Zinc Coated Steel Pendant Bolt Hangers
- 2 ea **HH3/290** Galvanized Steel In-Track Stops
- 1 ea **89/2N** Gray Nylon Mortise Guide

### Standard Kit Sizes

Part Number	Material	Track Length	Door Width
H300S-SW/6	Steel	72"	36"
H300S-SW/8	Steel	96"	48"
H300S-SW/10	Steel	120"	60"
H300S-SW/12	Steel	144"	72"

### Options: See page 265

- Bottom Channel **94A**
- Roller Guide **106R/94**
- Mortise Guides **102N**
- Side Wall Mortise Guides **102WN** (nylon) and **102WA** (steel)
- Joining Bracket **1AX/290**

**ASSA ABLOY**

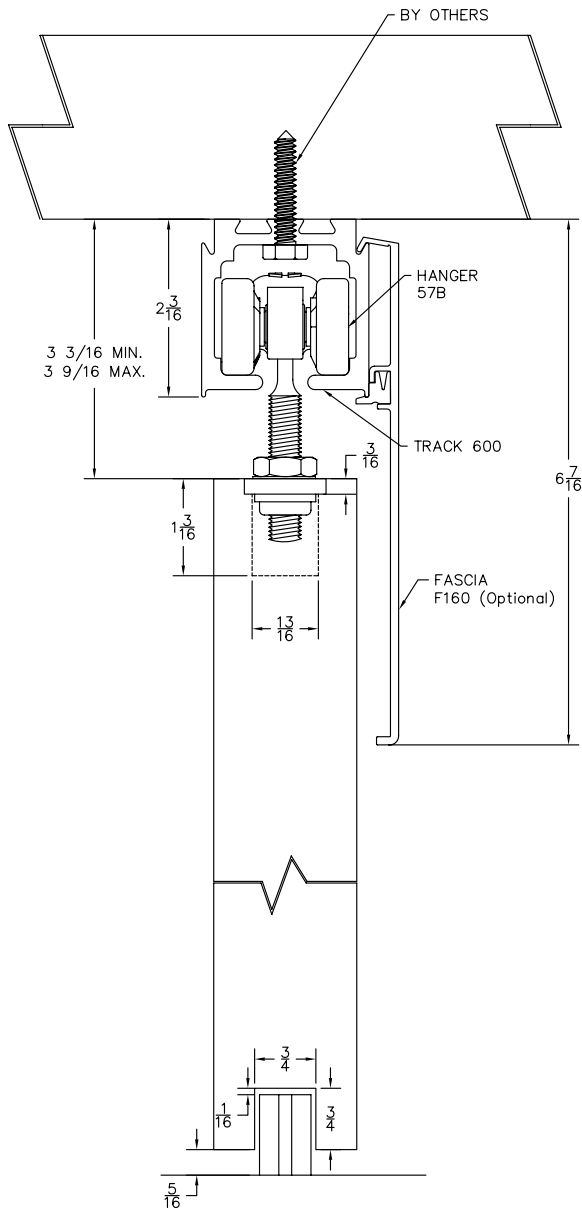
The global leader in  
door opening solutions

## H440A-OH Series

For Sliding Panels up to 440 lbs.

Manufactured by P.C. Henderson

HENDERSON



### Configurations:

- Single
- Bi-parting

### Installations:

- Overhead Mount

### Features:

- Overhead mount system
- Nylon body and steel ball bearing nylon wheels for smooth operation
- 440 lb. panel capacity
- Mill finished aluminum track 600A
- 2 year warranty

### H440A-OH Kits Include:

- 1 ea **600A** Mill Finished Aluminum Track
- 2 ea **57B** Hangers: Gray Nylon Body, Zinc Coated Steel Pendant Bolt, Steel Ball Bearing Nylon Wheels
- 2 ea **601P** Nylon In-Track Clip Stop
- 1 ea **89/2N** Gray Nylon Mortise Guide

### Standard Kit Sizes

Part Number	Material	Track Length	Door Width
H440A-OH/6	Aluminum	72"	36"
H440A-OH/8	Aluminum	96"	48"
H440A-OH/10	Aluminum	120"	60"
H440A-OH/12	Aluminum	144"	72"

### Options: See page 265

Fascia	<b>F160C</b>
Bottom Channel	<b>94A</b>
Roller Guide	<b>106R/94</b>
Threshold	<b>971A</b>
Mortise Guides	<b>102N</b>
End Plate Kit	<b>F160ECP</b> (used with <b>F160C</b> fascia and <b>600A</b> track only)

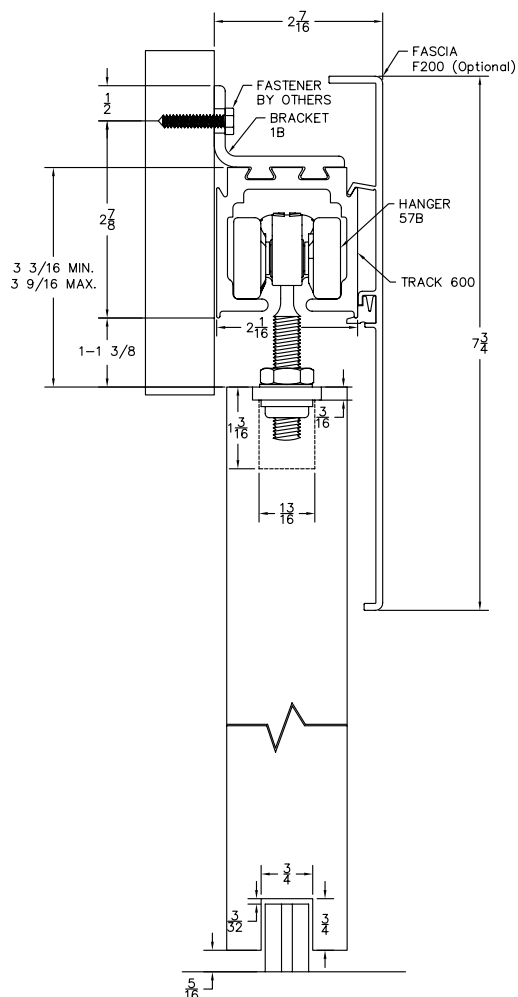
## ASSA ABLOY

The global leader in  
door opening solutions

## H440A-SW Series

For Sliding Panels up to 440 lbs.  
Manufactured by P.C. Henderson

**HENDERSON**



### Configurations:

- Single
- Bi-parting

### Installations:

- Side Wall Mount

### Features:

- Side wall mount system
- Nylon body and steel ball bearing nylon wheels for smooth operation
- 440 lb. panel capacity
- Mill finished aluminum track 600A
- 2 year warranty

### H440A-SW Kits Include:

- 1 ea **600A** Mill Finished Aluminum Track
- **1B** Side Wall Mount Track Brackets (One at each end and no more than 3 feet in between)
- 2 ea **57B** Hangers: Gray Nylon Body, Zinc Coated Steel Pendant Bolt, Steel Ball Bearing Nylon Wheels
- 2 ea **601P** Nylon In-Track Clip Stop
- 1 ea **89/2N** Gray Nylon Mortise Guide

### Standard Kit Sizes

Part Number	Material	Track Length	Door Width
H440A-SW/6	Aluminum	72"	36"
H440A-SW/8	Aluminum	96"	48"
H440A-SW/10	Aluminum	120"	60"
H440A-SW/12	Aluminum	144"	72"

### Options: See page 265

Fascia	<b>F200C</b>
Bottom Channel	<b>94A</b>
Roller Guide	<b>106R/94</b>
Mortise Guides	<b>102N</b>
Side Wall Mortise Guides	<b>102WN</b> (nylon) and <b>102WA</b> (steel)
End Plate Kit	<b>F200ECP</b> (used with <b>F200C</b> fascia and <b>600A</b> track only)
Joining Bracket	<b>1BX</b>

**ASSA ABLOY**

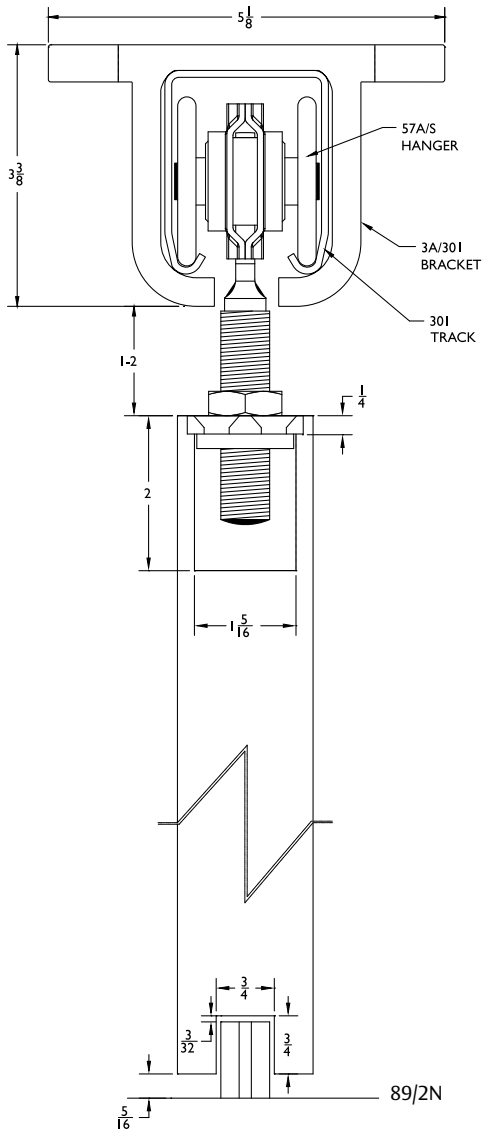
The global leader in  
door opening solutions

## H600S-OH Series

For Sliding Panels up to 600 lbs.

Manufactured by P.C. Henderson

HENDERSON



### Configurations:

- Single
- Bi-parting

### Installations:

- Overhead Mount

### Features:

- Overhead mount system
- Heavy duty zinc coated steel
- Ball bearing wheels
- 600 lb. panel capacity
- Galvanized steel track 301
- 2 year warranty

### H600S-OH Kits Include:

- 1 ea **301** Galvanized Steel Track
- **3A/301** Aluminum Alloy Overhead Mount Track Brackets  
(One at each end and no more than three feet in between)
- 2 ea **1A/301/EC** Aluminum Alloy End Caps
- 2 ea **57A/S** Zinc Coated Steel Body, Wheels, and Pendant Bolt Hangers
- 2 ea **HH3/301** Galvanized Steel In-Track Stops
- 1 ea **89/2N** Gray Nylon Mortise Guide

### Standard Kit Sizes

Part Number	Material	Track Length	Door Width
H600S-OH/6	Steel	72"	36"
H600S-OH/8	Steel	96"	48"
H600S-OH/10	Steel	120"	60"
H600S-OH/12	Steel	144"	72"

### Options: See page 265

Bottom Channel	<b>94A</b>
Roller Guide	<b>106R/94</b>
Mortise Guides	<b>102N</b>
Threshold	<b>971A</b>
Joining Bracket	<b>3AX/301</b>

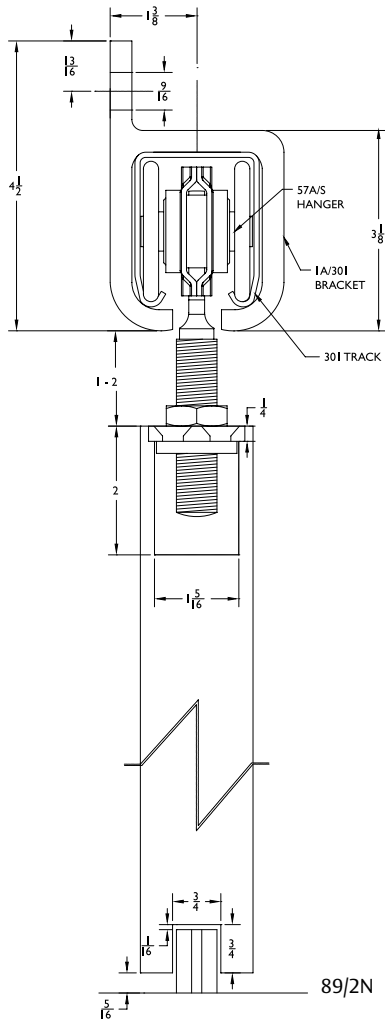
## ASSA ABLOY

The global leader in  
door opening solutions

## H600S-SW Series

For Sliding Panels up to 600 lbs.  
Manufactured by P.C. Henderson

**HENDERSON**



### Configurations:

- Single
- Bi-parting

### Installations:

- Side Wall Mount

### Features:

- Side wall mount system
- Heavy duty zinc coated steel
- Ball bearing wheels
- 600 lb. panel capacity
- Galvanized steel track 301
- 2 year warranty

### H600S-SW Kits Include:

- 1 ea **301** Galvanized Steel Track
- **1A/301** Side Wall Mount Track Brackets  
(One at each end and no more than three feet in between)
- 2 ea **1A/301/EC** Aluminum Alloy End Caps
- 2 ea **57A/S** Zinc Coated Steel Body, Wheels, and Pendant Bolt Hangers
- 2 ea **HH3/301** Galvanized Steel In-Track Stops
- 1 ea **89/2N** Gray Nylon Mortise Guide

### Standard Kit Sizes

Part Number	Material	Track Length	Door Width
H600S-SW/6	Steel	72"	36"
H600S-SW/8	Steel	96"	48"
H600S-SW/10	Steel	120"	60"
H600S-SW/12	Steel	144"	72"

### Options: See page 265

- Bottom Channel **94A**
- Roller Guide **106R/94**
- Mortise Guides **102N**
- Side Wall Mortise Guides **102WN**
- Joining Bracket **1AX/301**

**ASSA ABLOY**

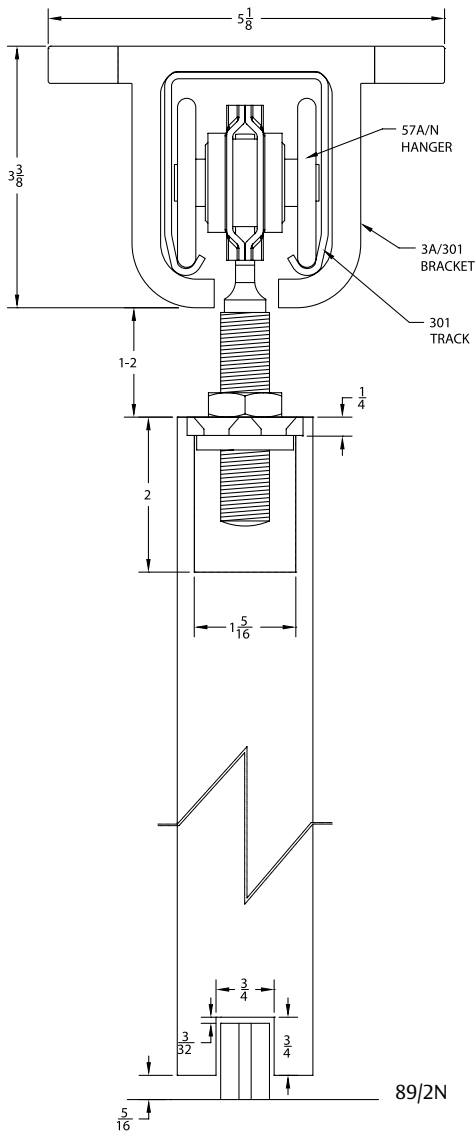
The global leader in  
door opening solutions

## H800S-OH Series

For Sliding Panels up to 800 lbs.

Manufactured by P.C. Henderson

HENDERSON



### Configurations:

- Single
- Bi-parting

### Installations:

- Overhead Mount

### Features:

- Overhead mount system
- Heavy duty zinc coated steel body
- Ball bearing nylon wheels for smooth operation
- 800 lb. panel capacity
- Galvanized steel track 301
- 2 year warranty

### H800S-OH Kits Include:

- 1 ea **301** Galvanized Steel Track
- **3A/301** Overhead Mount Track Brackets (One at each end and no more than three feet in between)
- 2 ea **1A/301/EC** Aluminum Alloy End Caps
- 2 ea **57A/N** Zinc Coated Steel Body, Nylon Wheels, and Pendant Bolt Hangers
- 2 ea **HH3/301** Galvanized Steel In-Track Stop
- 1 ea **89/2N** Gray Nylon Mortise Guide

### Standard Kit Sizes

Part Number	Material	Track Length	Door Width
H800S-OH/6	Steel	72"	36"
H800S-OH/8	Steel	96"	48"
H800S-OH/10	Steel	120"	60"
H800S-OH/12	Steel	144"	72"

### Options: See page 265

- Bottom Channel **94A**
- Roller Guide **106R/94**
- Mortise Guides **102N**
- Threshold **971A**
- Joining Bracket **3AX/301**

## ASSA ABLOY

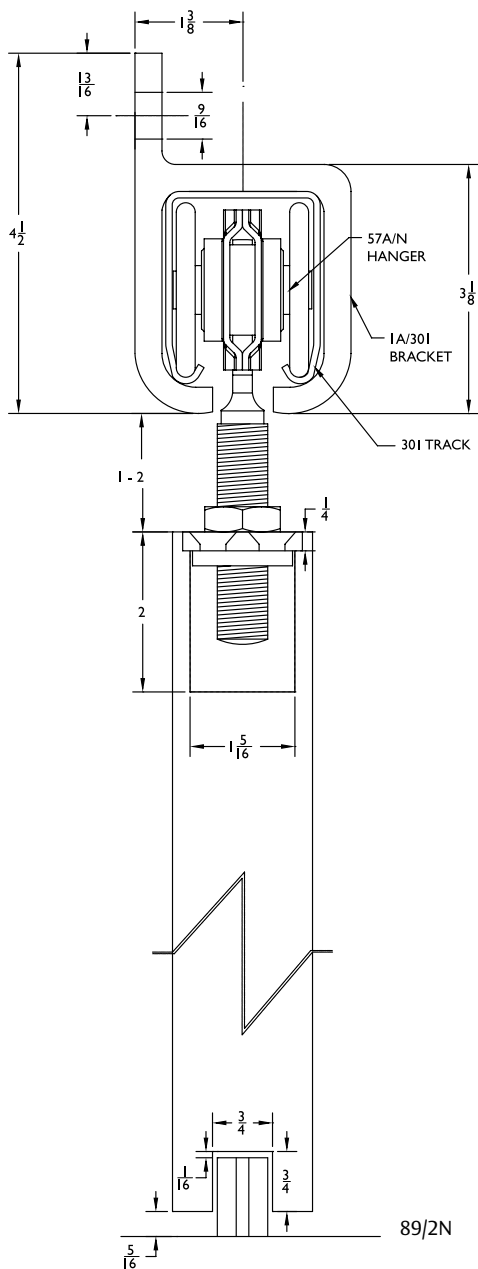
The global leader in  
door opening solutions



## H800S-SW Series

For Sliding Panels up to 800 lbs.  
Manufactured by P.C. Henderson

**HENDERSON**



### Configurations:

- Single
- Bi-parting

### Installations:

- Side Wall Mount

### Features:

- Side wall mount system
- Heavy duty zinc coated steel body
- Heavy ball bearing nylon wheels for smooth operation
- 800 lb. panel capacity
- Galvanized steel track 301
- 2 year warranty

### H800S-SW Kits Include:

- 1 ea **301** Galvanized Steel Track
- **1A/301** Aluminum Alloy Side Wall Mount Track Brackets (One at each end and no more than three feet in between)
- 2 ea **1A/301/EC** Aluminum Alloy End Caps
- 2 ea **57A/N** Zinc Coated Steel Body, Nylon Wheels, and Pendant Bolt Hangers
- 2 ea **HH3/301** Galvanized Steel In-Track Stops
- 1 ea **89/2N** Gray Nylon Mortise Guide

### Standard Kit Sizes

Part Number	Material	Track Length	Door Width
H800S-SW/6	Steel	72"	36"
H800S-SW/8	Steel	96"	48"
H800S-SW/10	Steel	120"	60"
H800S-SW/12	Steel	144"	72"

### Options: See page 265

- Bottom Channel **94A**
- Roller Guide **106R/94**
- Mortise Guides **102N**
- Side Wall Mortise Guides **102WN** (nylon) and **102WA** (steel)
- Joining Bracket **1AX/301**

**ASSA ABLOY**

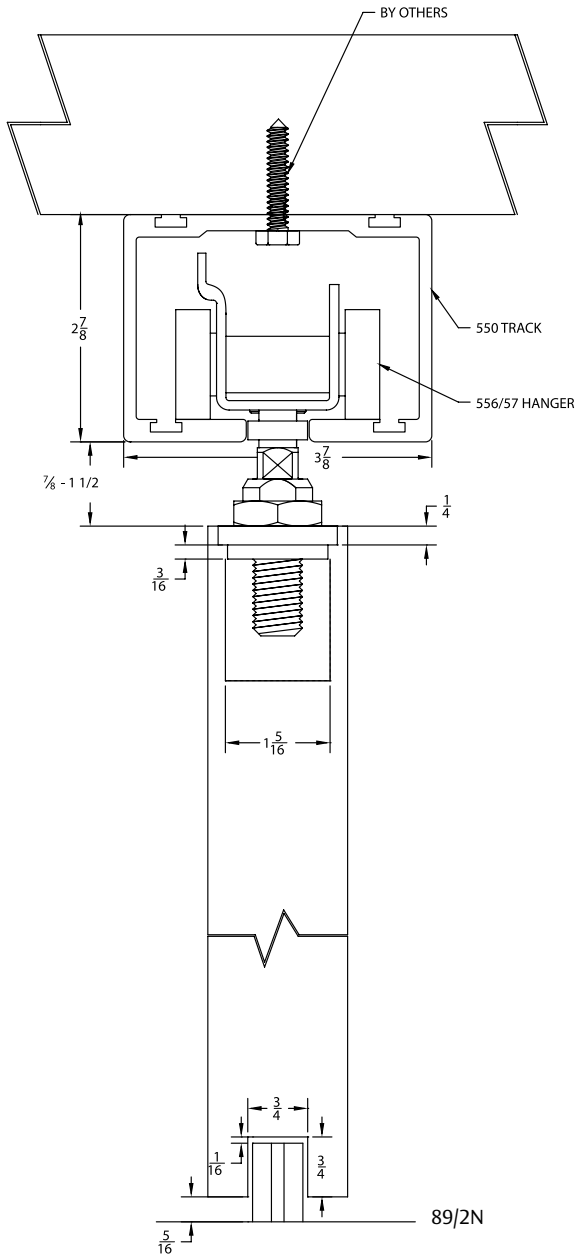
The global leader in  
door opening solutions

## H1100A-OH Series

For Sliding Panels up to 1100 lbs.

Manufactured by P.C. Henderson

HENDERSON



Ideally suited for large doors that require high performance and an attractive finish.

Typical applications are hotels, conference centers, shop-fronts and showrooms.

### Configurations:

- Single
- Bi-parting

### Installations:

- Overhead Mount

### Features:

- For top hung wood and metal doors
- Heavy duty black painted steel body
- Ball bearing steel wheels
- 1100 lb. panel capacity
- Mill finished aluminum track 550A
- 2 year warranty

### H1100A-OH Kits Include:

- 1 ea **550A** Mill Finished Aluminum Track
- 2 ea **556/57** Painted Black Steel Body - Zinc Coated Steel Wheels and Pendant Bolt Hangers
- 2 ea **HH3/301** Galvanized Steel In-Track Stops
- 1 ea **89/2N** Gray Nylon Mortise Guide

### Standard Kit Sizes

Part Number	Material	Track Length	Door Width
H1100A-OH/6	Aluminum	72"	36"
H1100A-OH/8	Aluminum	96"	48"
H1100A-OH/10	Aluminum	120"	60"
H1100A-OH/12	Aluminum	144"	72"
H1100A-OH/16	Aluminum	197"	98"

**Options:** See page 265

Bottom Channel

**94A**

Roller Guide

**106R/94**

Threshold

**971A**

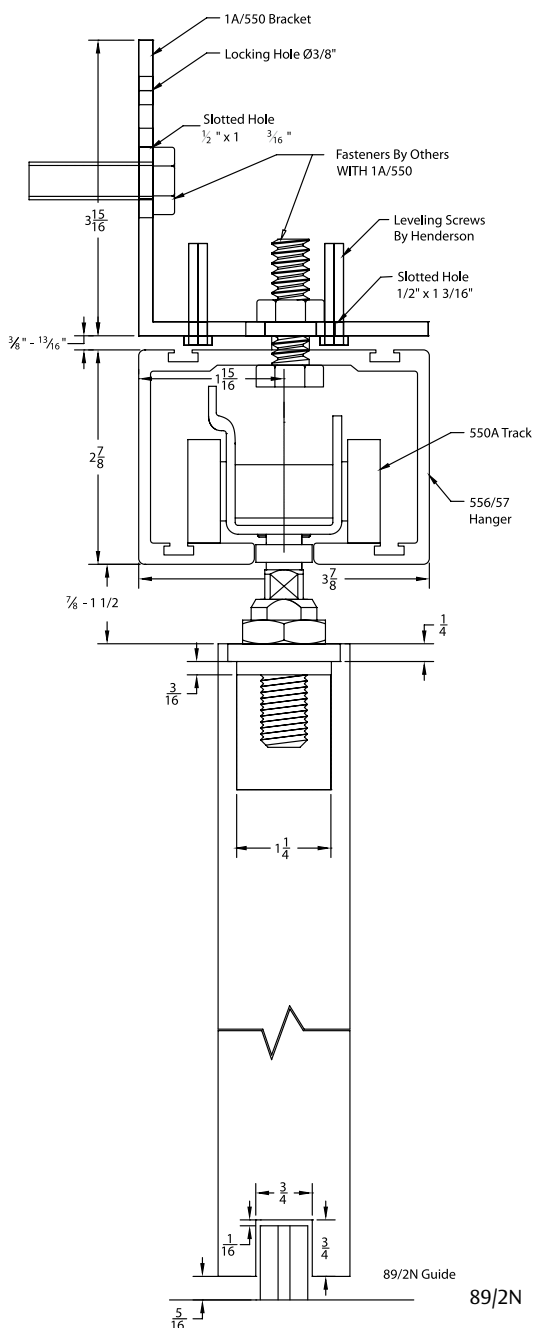
## ASSA ABLOY

The global leader in  
door opening solutions

## H1100A-SW Series

For Sliding Panels up to 1100 lbs.  
Manufactured by P.C. Henderson

**HENDERSON**



**Ideally suited for large doors that require high performance and an attractive finish.**

Typical applications are hotels, conference centers, shop-fronts and showrooms.

**Configurations:**

- Single
- Bi-parting

**Installations:**

- Side Wall Mount

**Features:**

- Heavy duty black painted steel body ball bearing wheels
- 1100 lb. panel capacity
- Mill finished aluminum track 550A
- 2 year warranty

### H1100A-SW Kits Include:

- 1 ea **550A** Mill Finished Aluminum Track
- **1A/550** Aluminum Alloy Side Wall Track Bracket  
Fastners not included with 1A/550. (One at each end and no more than three feet in between)
- 2 ea **556/57** Painted Black Steel Body - Zinc Coated Steel Wheels and Pendant Bolt Hangers
- 2 ea **HH3/301** Galvanized Steel In-Track Stops
- 1 ea **89/2N** Gray Nylon Mortise Guide

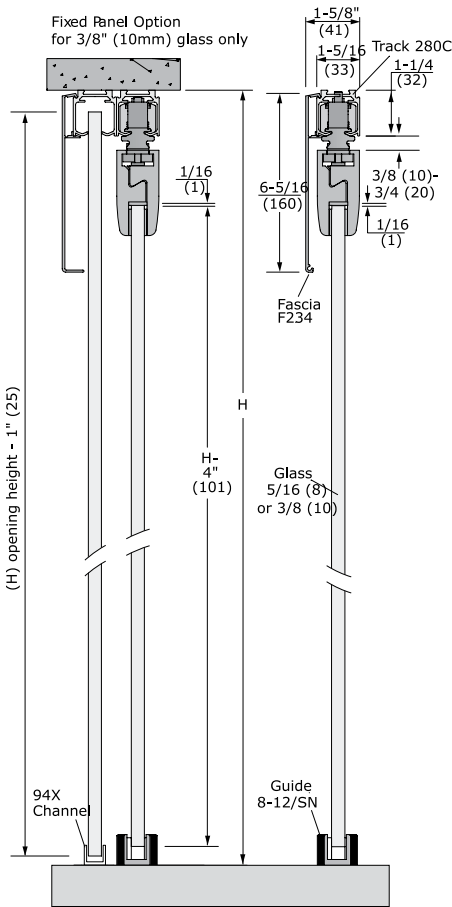
Standard Kit Sizes			
Part Number	Material	Track Length	Door Width
H1100A-SW/6	Aluminum	72"	36"
H1100A-SW/8	Aluminum	96"	48"
H1100A-SW/10	Aluminum	120"	60"
H1100A-SW/12	Aluminum	144"	72"
H1100A-SW/16	Aluminum	197"	98"

**Options:** See page 265

- Bottom Channel **94A**
- Roller Guide **106R/94**

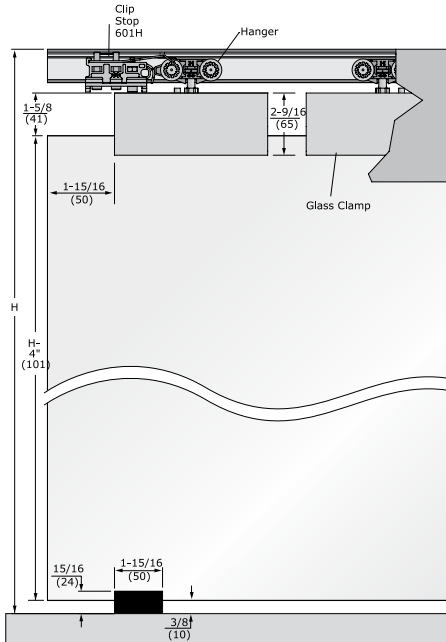
## Husky Sliding Glass Series

Manufactured by P.C. Henderson **HENDERSON**



For lightweight glass applications such as office doors and small glass partitions.

- 2 year warranty



**ASSA ABLOY**

The global leader in door opening solutions

**Capacity:**

- Max. door weight 165 lbs. (75kg)
- Max. door height 7' 10" (2400mm)
- Max. door width 4' 1" (1250mm)
- Glass thickness 5/16" (8mm) & 3/8" (10mm)

**Door Types:**

Glass panels of 5/16" (8mm) or 3/8" (10mm) thickness in tempered or laminated glass.

### 8/HY/75 and 10/HY/75 HUSKY Glass Clamp Kit:

8/HY/75 is for 8mm or 5/16" thick glass

10/HY/75 kit is for 10mm or 3/8" thick glass

- 2 ea **284D** Hangers
- 2 ea **GLASS** Clamps
- 2 ea **601H** End stops
- 1 ea **8-12/SN** adjustable guide for 5/16" or 3/8" glass guide

Standard Kit Sizes			
Part Number	Material	Track Length	Door Width
280C72	Aluminum	72"	36"
280C96	Aluminum	96"	48"
280C120	Aluminum	120"	60"
280C144	Aluminum	144"	72"

**Options:** See page 265

Face mount bracket:

**281** available as 5 pack only, **2815**  
NOTE: Need one on each end, with no more than 3 feet in between each bracket. Fasteners included.

Fascias:

**F234C** clear anodized aluminum fascia

Guides:

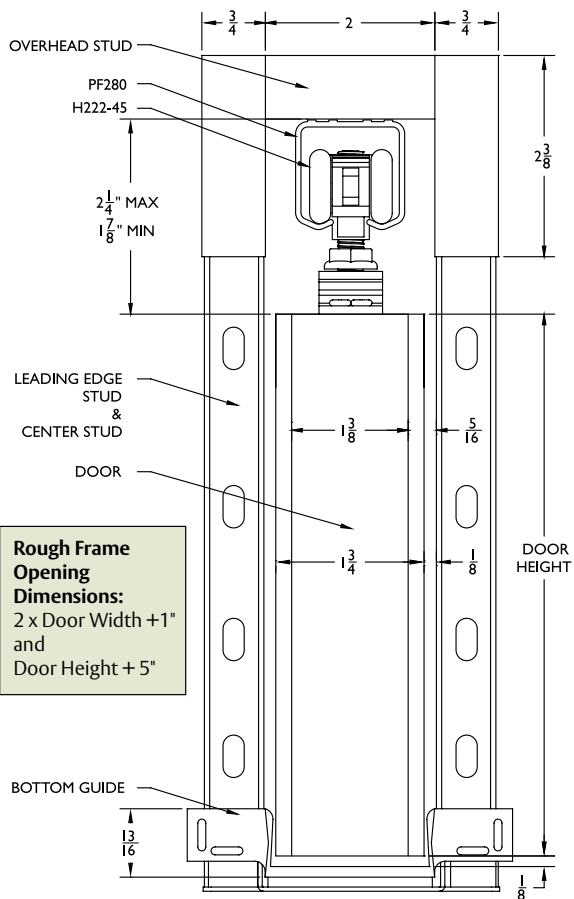
**8-12/SN** adjustable guide for 5/16" or 3/8" glass guide

Accessories:

**601H** retaining stop mounted within the track

## Pocket Frame Kit

Manufactured by PEMKO



**Rough Frame Opening Dimensions:**  
2 x Door Width + 1"  
and  
Door Height + 5"

### Features:

- Heavy duty hardware supports doors up to 175 lbs. each
- Standard kit is for 1<sup>3</sup>/<sub>8</sub>" door. For 1<sup>3</sup>/<sub>4</sub>" door, MUST use PF134KIT (see Options below)
- Chrome plated steel hangers are corrosion resistant and no maintenance is required
- 5 year warranty

### Pocket Frame Kit Includes:

- 1 ea Header Track Assembly
  - 4 ea **PFAS**\_ Aluminum Cased Wood Studs
  - 2 ea **PFHB-1** and **PFHB-2** Pre-Mounted Header Brackets
  - 2 ea **H222-45** Hangers
  - 2 ea **PFFC-8** Floor Cleats
  - 1 ea **PFBS** Pocket Frame Bumper Stop
  - 1 ea **PFBG-8** Pocket Frame Bottom Guide for 1<sup>3</sup>/<sub>8</sub>" Thick Doors
- Mounting Hardware

Standard Kit Sizes			
2 x 4 (3 <sup>1</sup> / <sub>2</sub> " Stud)	2 x 6 (5 <sup>1</sup> / <sub>2</sub> " Stud)	2 x 6 (6" Stud)	Net Door Size (The Kits can be trimmed in field)
PF28200A6080	PF28200A6080-2x6	PF28200A6080-SP6	2'6" x 6'8"
PF28200A7280	PF28200A7280-2x6	PF28200A7280-SP6	3'0" x 6'8"
PF28200A9680	PF28200A9680-2x6	PF28200A9680-SP6	4'0" x 6'8"
PF28200A6084	PF28200A6084-2x6	PF28200A6084-SP6	2'6" x 7'0"
PF28200A7284	PF28200A7284-2x6	PF28200A7284-SP6	3'0" x 7'0"
PF28200A9684	PF28200A9684-2x6	PF28200A9684-SP6	4'0" x 7'0"
PF28200A6096	PF28200A6096-2x6	PF28200A6096-SP6	2'6" x 8'0"
PF28200A7296	PF28200A7296-2x6	PF28200A7296-SP6	3'0" x 8'0"
PF28200A9696	PF28200A9696-2x6	PF28200A9696-SP6	4'0" x 8'0"

### Options:

- PF134 KIT** - Must be ordered for 1<sup>3</sup>/<sub>4</sub>" doors
- PFAS88** - An extra pair of 88" center studs with floor cleat for 84" tall doors, for doors over 3' wide
- PFAS100** - An extra pair of 100" center studs with floor cleat for 96" tall doors, for doors over 3' wide
- PFCDKIT** - Conversion Kit to achieve a bipart double door frame
- PFKIT-4** - Hardware Kit for PEMKO Pocket Frame Kit for 1<sup>3</sup>/<sub>4</sub>" thick doors (Each contains 2-H222-45 Hangers, 1-PFBS Bumper Stop, 1- PFBG-4 Guide, 2 PFHS Header Shims, 2-PFFC-4 Floor Cleats)
- PFKIT-8** - Hardware Kit for PEMKO Pocket Frame Kit for 1<sup>3</sup>/<sub>8</sub>" thick doors (Each contains 2-H222-45 Hangers, 1-PFBS Bumper Stop, 1- PFBG-8 Guide, 2-PFFC-8 Floor Cleats)

Custom sizes available call for information

**ASSA ABLOY**

The global leader in  
door opening solutions

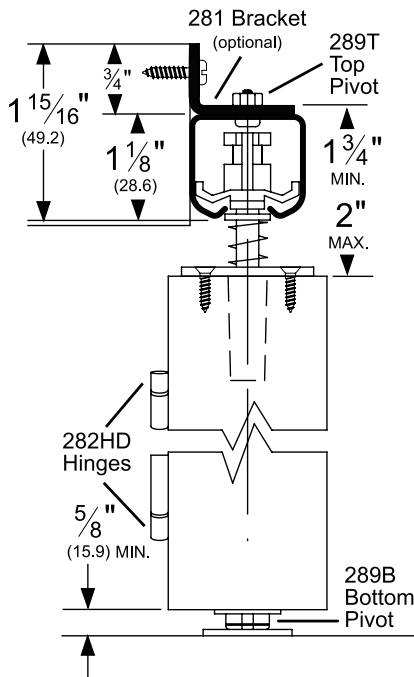
## Folding 100 Series

For Folding Doors and Room Dividers up to 100 lbs.  
For Doors up to 24" Wide x 96" Tall

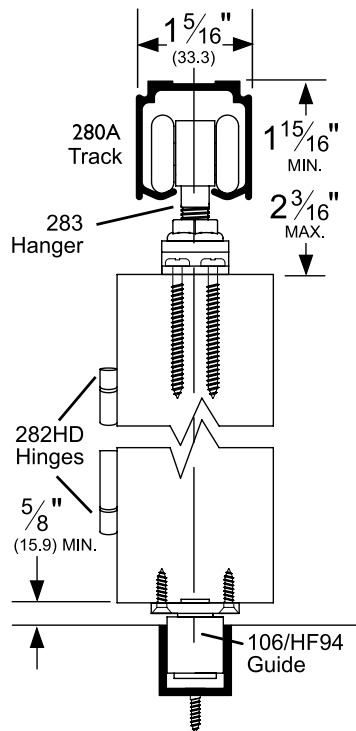
Manufactured by P.C. Henderson

HENDERSON

### 280 Side Wall Mounted



### 280C Overhead Mounted



**ASSA ABLOY**

The global leader in  
door opening solutions

### Features:

- For medium weight folding doors
- Two and four leaf kits are available
- 2 year warranty

### Two Panel:

#### HF2/100A Kits Include:

- 1 ea 280C Clear Anodized Track
- 1 ea 283 Hanger
- 1 ea 289T Top Pivot
- 1 ea 289B Bottom Pivot
- 3 ea 282HD Hinges
- 1 ea 106HF/94 Roller Guide
- 1 ea 94A Aluminum Guide Channel
- 1 ea Adjusting Wrench and Mounting Hardware

### Four Panel:

#### HF4/100A Kits Include:

- 1 ea 280C Clear Anodized Track
- 2 ea 283 Hangers
- 2 ea 289T Top Pivots
- 2 ea 289B Bottom Pivots
- 6 ea 282HD Hinges
- 2 ea 106HF/94 Roller Guide
- 1 ea 94A Aluminum Guide Channel
- 1 ea Adjusting Wrench and Mounting Hardware

### Standard Kit Sizes

Part Number	Material	# of Panels	Track Length
HF2/100A/2	Aluminum	2	24"
HF2/100A/2'6	Aluminum	2	30"
HF2/100A/3	Aluminum	2	36"
HF2/100A/4	Aluminum	2	48"
HF4/100A/4	Aluminum	4	48"
HF4/100A/5	Aluminum	4	60"
HF4/100A/6	Aluminum	4	72"
HF4/100A/8	Aluminum	4	96"
HF2/100/4*	Steel	2	48"
HF4/100/8*	Steel	4	96"

\*Steel kits include the same components as above, except track is 1ea 280 galvanized steel.

### Options: See page 265

Mounting Bracket	<b>281</b> available as 5 pack only, <b>2815</b>
Threshold	<b>971A</b>
Track	<b>280D</b> dark bronze anodized aluminum

NOTE: Allow 1/4" clearance at pivot jambs and 1/8" in between hinged doors if hinges are semi mortised. Allow 3/16" between hinged doors if hinges are surface mounted. Allow 1/8" between doors meeting in the center of the opening on HF4 kits and allow 1/8" between wall and end panel on HF2 kits.

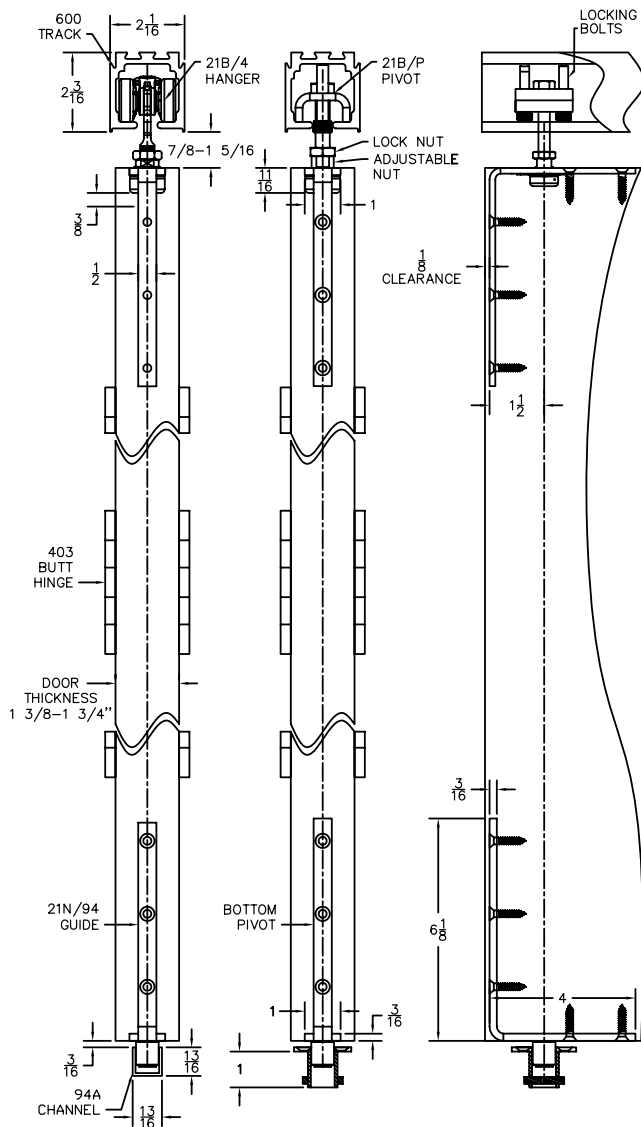
## Pacer Interior End Fold Series

For Folding Doors and Room Dividers up to 165 lbs.

For Doors up to 36" Wide x 106" Tall

Manufactured by P.C. Henderson

**HENDERSON**



### Features:

- For top-hung, medium weight, interior, partition doors
- Ideal in both residential and commercial applications requiring end folding doors
- 2 year warranty

### Two Panel: plan 1

### PIF2/165A Kits Include:

- 1 ea **600A** Mill Finished Aluminum Track
- 1 ea **21B/P** Top and Bottom Pivot Assembly
- 1 ea **21B/4** Nylon Body and Wheels, Zinc Coated Steel Pendant Bolt and Door Bracket Hanger
- 1 ea **21N/94** Nylon Roller Guide on Zinc Coated Steel Door Bracket Bottom Guide
- 4 ea **403/2** Aluminum Alloy Butt Hinges
- 1 ea **94A** Aluminum Guide Channel

### Four Panel: plan 2

### PIF4/165A Kits Include:

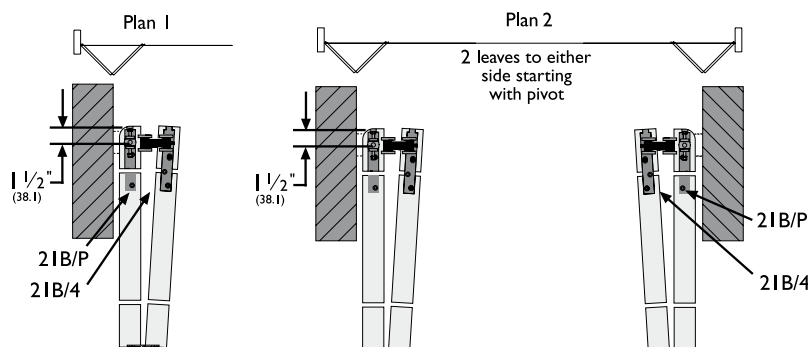
- 1 ea **600A** Mill Finished Aluminum Track
- 2 ea **21B/P** Top and Bottom Pivot Assembly
- 2 ea **21B0/4** Nylon Body and Wheels, Zinc coated steel Pendant Bolt and Door Bracket Hanger
- 2 ea **21N/94** Nylon Roller Guide on Zinc Coated Steel Door Bracket Bottom Guide
- 8 ea **403/2** Aluminum Alloy Butt Hinges
- 1 ea **94A** Aluminum Guide Channel

Standard Kit Sizes			
Part Number	Material	# of Panels	Track Length
PIF2/165A/6	Aluminum	2	72"
PIF4/165A/6	Aluminum	4	72"
PIF4/165A/8	Aluminum	4	96"
PIF4/165A/12	Aluminum	4	2 @ 72"

**Options:** See page 265

Threshold **971A**

NOTE: Allow  $\frac{3}{8}$ " clearance at pivot jambs and  $\frac{1}{8}$ " in between hinged doors if hinges are semi mortised. Allow  $\frac{7}{16}$ " between hinged doors if hinges are surface mounted. Allow  $\frac{1}{8}$ " between doors meeting in the center of the opening on PIF4 kits and allow  $\frac{1}{8}$ " between wall and end panel on PIF2 kits.



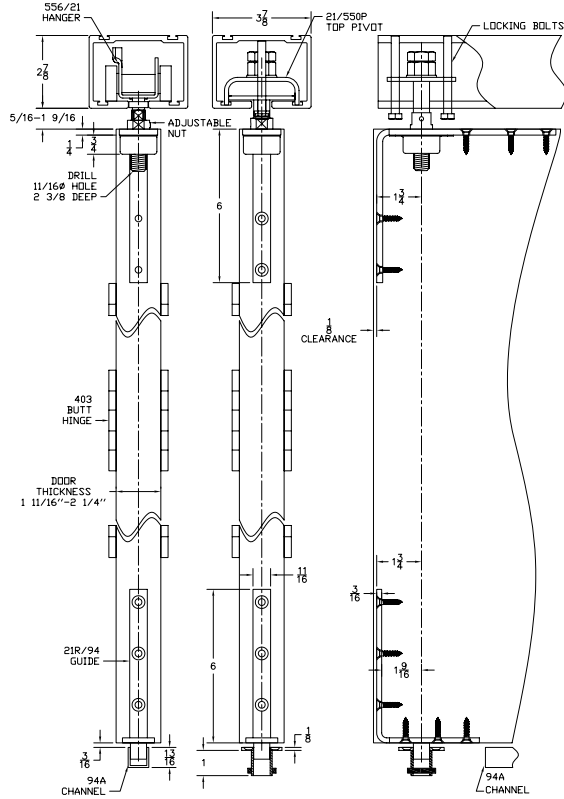
## Flexirol Interior End Fold Series

For Folding Doors and Room Dividers up to 275 lbs.

For Doors up to 48" Wide x 177" Tall

Manufactured by P.C. Henderson

**HENDERSON**



**Features:**

- For top-hung, heavy weight, interior, partition doors.
- Specifically designed for commercial applications requiring end folding doors
- 2 year warranty.

**Two Panel: plan 1**

**FIF2/275A Kits Include:**

- 1 ea **550A** Mill Finished Aluminum Track
- 1 ea **21/550/P** Top and Bottom Pivot Assembly
- 1 ea **556/21** Zinc Coated Steel Wheels, Pendant Bolt, Body, and Door Bracket
- 1 ea **21R/94** Bottom Guide
- 4 ea **403/2** Aluminum Alloy Butt Hinges
- 1 ea **94A** Aluminum Guide Channel

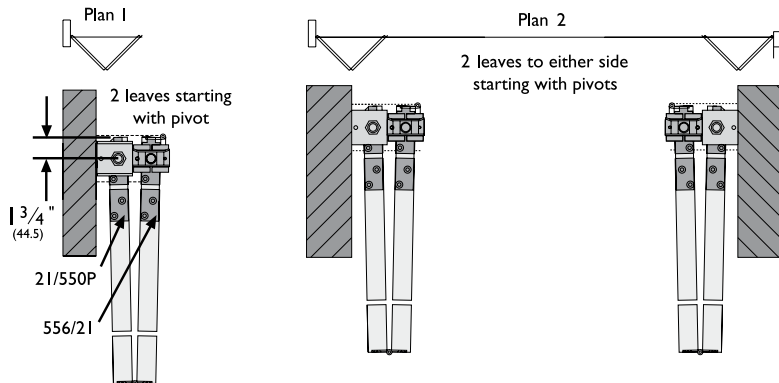
**Four Panel: plan 2**

**FIF4/275A Kits Include:**

- 1 ea **550A** Mill Finished Aluminum Track
- 2 ea **21/550/P** Top and Bottom Pivot Assembly
- 2 ea **556/21** Zinc Coated Steel Wheels, Pendant Bolt, Body, and Door Bracket
- 2 ea **21R/94** Bottom Guide
- 8 ea **403/2** Aluminum Alloy Butt Hinges
- 1 ea **94A** Aluminum Guide Channel

**Standard Kit Sizes**

Part Number	Material	# of Panels	Track Length
FIF2/275A/6	Aluminum	2	72"
FIF2/275A/8	Aluminum	2	96"
FIF4/275A/6	Aluminum	4	72"
FIF4/275A/8	Aluminum	4	96"
FIF4/275A/12	Aluminum	4	2 @ 72"
FIF4/275A/16	Aluminum	4	2 @ 96"



**Options:** See page 265

Threshold

**971A**

NOTE: Allow 3/8" clearance at pivot jambs and 1/8" in between hinged doors if hinges are semi mortised. Allow 7/16" between hinged doors if hinges are surface mounted. Allow 1/8" between doors meeting in the center of the opening on FIF4 kits and allow 1/8" between wall and end panel on FIF2 kits.

**ASSA ABLOY**

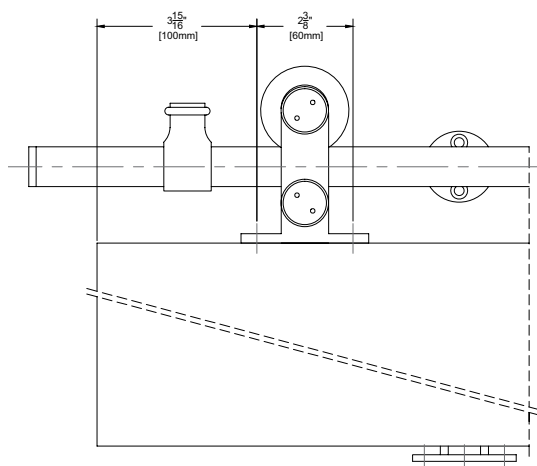
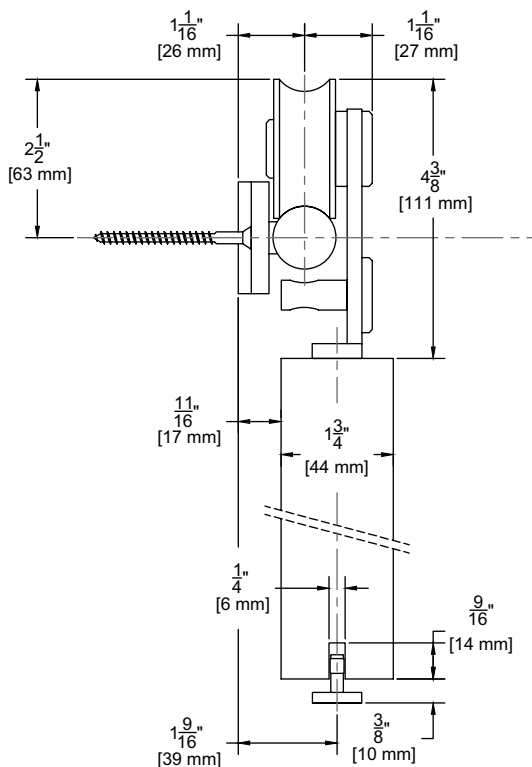
The global leader in door opening solutions



# Stainless Steel Sliding Track Hardware System

## W60 Series for Wood Doors

For Sliding Panels up to 176 lbs.



### Configurations:

- Single
- Bi-parting

### Installations:

- Side Wall Mount (only)

### Features:

- Made of 304 stainless steel
- Nylon coated stainless steel wheel for smooth operation
- 176 lb. panel capacity
- 5 year warranty

### Finishes:

- Brushed Stainless Steel (W60)
- Dark Bronze Stainless Steel (W60D)
- Polished Stainless Steel (W60P)

### W60 Kits Include:

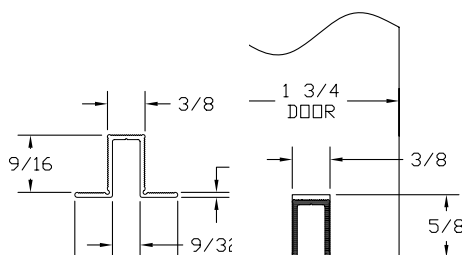
- 1 ea **BAR/\_** Stainless Steel Track
- **BRACKET2** Stainless Steel Wall Brackets
- 2 ea **62** Stainless Steel Hangers
- 1 ea **WOODGUIDE** Stainless Steel Guide
- 2 ea **STOP2** Stainless Steel Stops Mounting Hardware

NOTE: If ordering individual parts in the optional Dark Bronze or Polished finishes, be sure to include a suffix "D" for Dark Bronze or "P" for Polished Stainless

Standard Kit Sizes			
Part Number	Material	Track Length	Door Width
W60/6	304 Stainless Steel	78 $\frac{3}{4}$ "	36"
W60/8	304 Stainless Steel	98 $\frac{7}{16}$ "	48"
W60D/6	304 Dark Bronze Stainless Steel	78 $\frac{3}{4}$ "	36"
W60D/8	304 Dark Bronze Stainless Steel	98 $\frac{7}{16}$ "	48"
W60P/6	304 Polished Stainless Steel	78 $\frac{3}{4}$ "	36"
W60P/8	304 Polished Stainless Steel	98 $\frac{7}{16}$ "	48"

### Options: See page 265

- Bottom Channel **94A**
- Roller Guide **106R/94**
- Mortise Guides **102N**
- Polypropylene Guide Rail **EPD3BL For Use With WOODGUIDE**



NOTE: Alternate route dimension when using optional EPD3BL

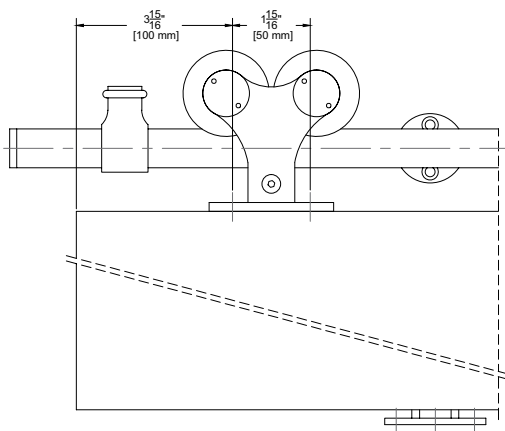
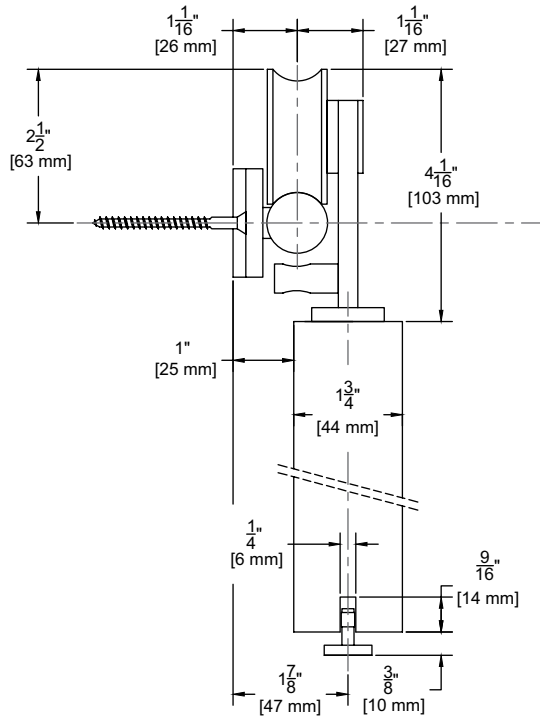
**ASSA ABLOY**

The global leader in door opening solutions

# Stainless Steel Sliding Track Hardware System

## W70 Series for Wood Doors

For Sliding Panels up to 240 lbs.



### ASSA ABLOY

The global leader in door opening solutions

#### Configurations:

- Single
- Bi-parting

#### Installations:

- Side Wall Mount (only)

#### Features:

- Made of 304 stainless steel
- Nylon coated stainless steel wheel for smooth operation
- 240 lb. panel capacity
- 5 year warranty

#### Finishes:

- Brushed Stainless Steel (W70)
- Dark Bronze Stainless Steel (W70D)
- Polished Stainless Steel (W70P)

#### W70 Kits Include:

- 1 ea **BAR/** Stainless Steel Track
- **BRACKET2** Stainless Steel Wall Brackets
- 2 ea **72** Stainless Steel Hangers
- 1 ea **WOODGUIDE** Stainless Steel Guide
- 2 ea **STOP2** Stainless Steel Stops Mounting Hardware

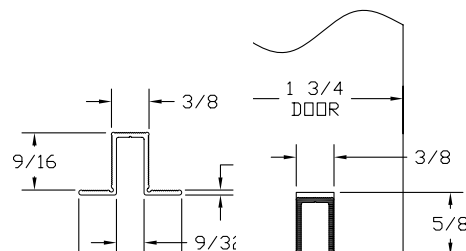
NOTE: If ordering individual parts in the optional Dark Bronze or Polished finishes, be sure to include a suffix "D" for Dark Bronze or "P" for Polished Stainless

#### Standard Kit Sizes

Part Number	Material	Track Length	Door Width
W70/6	304 Stainless Steel	78 $\frac{3}{4}$ "	36"
W70/8	304 Stainless Steel	98 $\frac{7}{16}$ "	48"
W70D/6	304 Dark Bronze Stainless Steel	78 $\frac{3}{4}$ "	36"
W70D/8	304 Dark Bronze Stainless Steel	98 $\frac{7}{16}$ "	48"
W70P/6	304 Polished Stainless Steel	78 $\frac{3}{4}$ "	36"
W70P/8	304 Polished Stainless Steel	98 $\frac{7}{16}$ "	48"

Options: See page 265

- Bottom Channel **94A**
- Roller Guide **106R/94**
- Mortise Guides **102N**
- Polypropylene Guide Rail **EPD3BL For Use With WOODGUIDE**

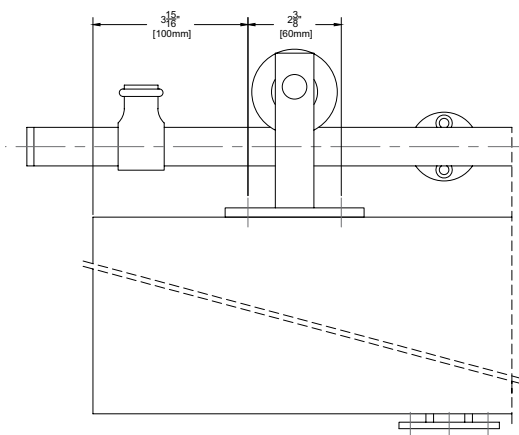
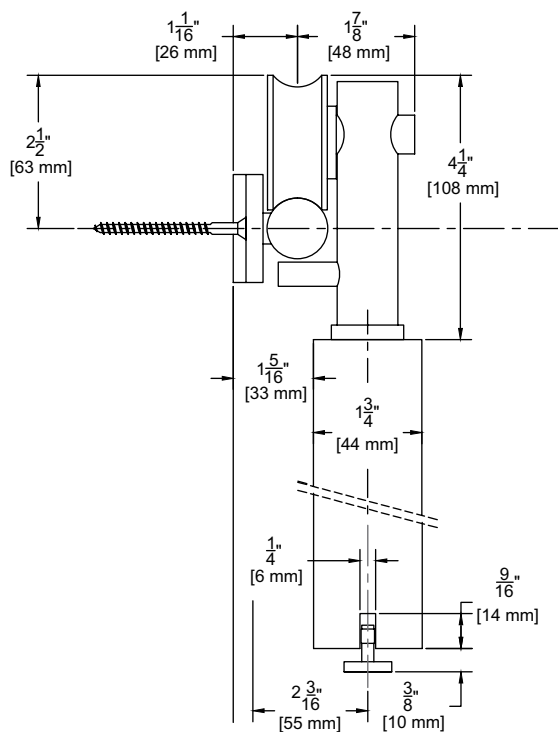


NOTE: Alternate route dimension when using optional EPD3BL

# Stainless Steel Sliding Track Hardware System

## W80 Series for Wood Doors

For Sliding Panels up to 176 lbs.



### Configurations:

- Single
- Bi-parting

### Installations:

- Side Wall Mount (only)

### Features:

- Made of 304 stainless steel
- Nylon coated stainless steel wheel for smooth operation
- 176 lb. panel capacity
- 5 year warranty

### Finishes:

- Brushed Stainless Steel (W80)
- Dark Bronze Stainless Steel (W80D)
- Polished Stainless Steel (W80P)

### W80 Kits Include:

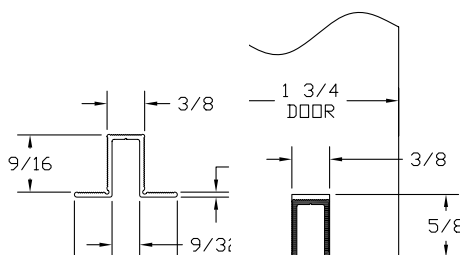
- 1 ea **BAR/\_** Stainless Steel Track
- **BRACKET2** Stainless Steel Wall Brackets
- 2 ea **82** Stainless Steel Hangers
- 1 ea **WOODGUIDE** Stainless Steel Guide
- 2 ea **STOP2** Stainless Steel Stops Mounting Hardware

NOTE: If ordering individual parts in the optional Dark Bronze or Polished finishes, be sure to include a suffix "D" for Dark Bronze or "P" for Polished Stainless

Standard Kit Sizes			
Part Number	Material	Track Length	Door Width
W80/6	304 Stainless Steel	78 <sup>3</sup> / <sub>4</sub> "	36"
W80/8	304 Stainless Steel	98 <sup>7</sup> / <sub>16</sub> "	48"
W80D/6	304 Dark Bronze Stainless Steel	78 <sup>3</sup> / <sub>4</sub> "	36"
W80D/8	304 Dark Bronze Stainless Steel	98 <sup>7</sup> / <sub>16</sub> "	48"
W80P/6	304 Polished Stainless Steel	78 <sup>3</sup> / <sub>4</sub> "	36"
W80P/8	304 Polished Stainless Steel	98 <sup>7</sup> / <sub>16</sub> "	48"

Options: See page 265

- Bottom Channel **94A**
- Roller Guide **106R/94**
- Mortise Guides **102N**
- Polypropylene Guide Rail **EPD3BL For Use With WOODGUIDE**



NOTE: Alternate route dimension when using optional EPD3BL

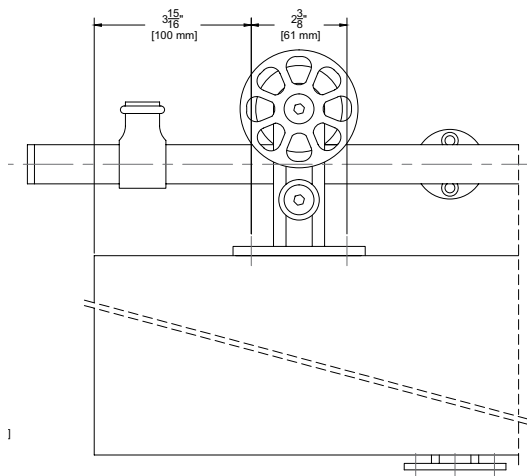
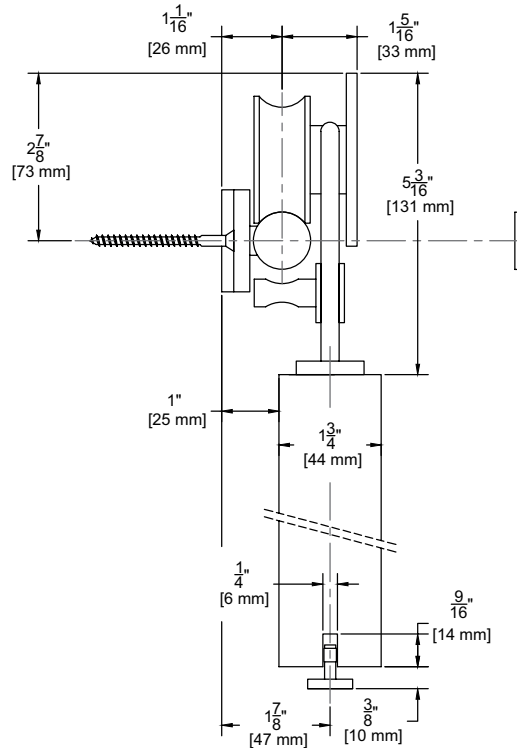
**ASSA ABLOY**

The global leader in  
door opening solutions

# Stainless Steel Sliding Track Hardware System

## W90 Series for Wood Doors

For Sliding Panels up to 176 lbs.



### Configurations:

- Single
- Bi-parting

### Installations:

- Side Wall Mount (only)

### Features:

- Made of 304 stainless steel
- Nylon coated stainless steel wheel for smooth operation
- 176 lb. panel capacity
- 5 year warranty

### Finishes:

- Brushed Stainless Steel (W90)
- Dark Bronze Stainless Steel (W90D)
- Polished Stainless Steel (W90P)

### W90 Kits Include:

- 1 ea **BAR/** Stainless Steel Track
- **BRACKET2** Stainless Steel Wall Brackets
- 2 ea **92** Stainless Steel Hangers
- 1 ea **WOODGUIDE** Stainless Steel Guide
- 2 ea **STOP2** Stainless Steel Stops Mounting Hardware

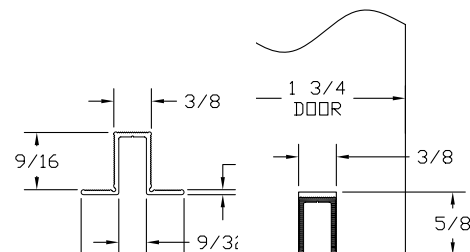
NOTE: If ordering individual parts in the optional Dark Bronze or Polished finishes, be sure to include a suffix "D" for Dark Bronze or "P" for Polished Stainless

### Standard Kit Sizes

Part Number	Material	Track Length	Door Width
W90/6	304 Stainless Steel	78 $\frac{3}{4}$ "	36"
W90/8	304 Stainless Steel	98 $\frac{7}{16}$ "	48"
W90D/6	304 Dark Bronze Stainless Steel	78 $\frac{3}{4}$ "	36"
W90D/8	304 Dark Bronze Stainless Steel	98 $\frac{7}{16}$ "	48"
W90P/6	304 Polished Stainless Steel	78 $\frac{3}{4}$ "	36"
W90P/8	304 Polished Stainless Steel	98 $\frac{7}{16}$ "	48"

### Options: See page 265

- Bottom Channel **94A**
- Roller Guide **106R/94**
- Mortise Guides **102N**
- Polypropylene Guide Rail **EPD3BL For Use With WOODGUIDE**



NOTE: Alternate route dimension when using optional EPD3BL

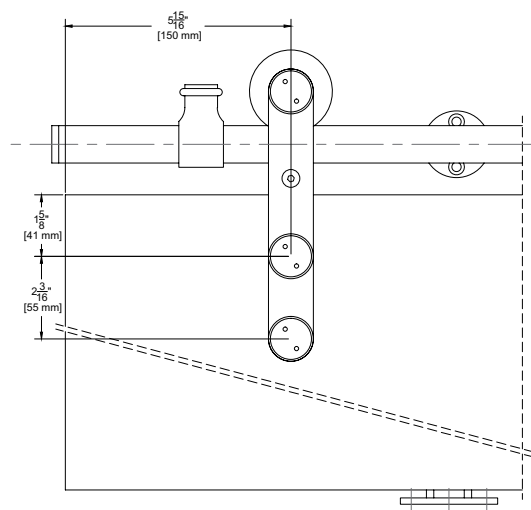
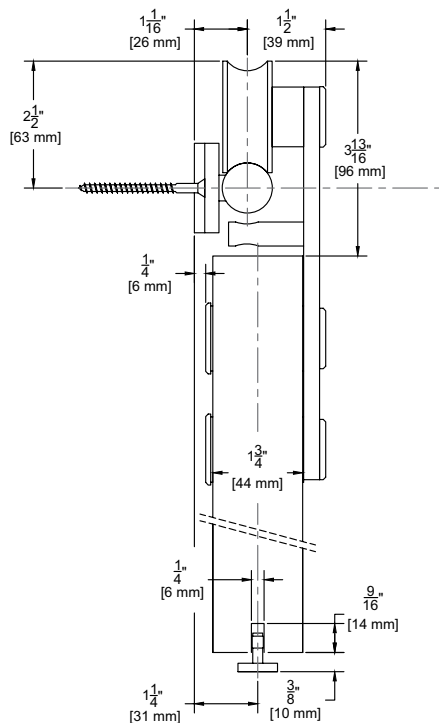
## ASSA ABLOY

The global leader in  
door opening solutions

# Stainless Steel Sliding Track Hardware System

## W100 Series for Wood Doors

For Sliding Panels up to 198 lbs.



### Configurations:

- Single
- Bi-parting

### Installations:

- Side Wall Mount (only)

### Features:

- Made of 304 stainless steel
- Nylon coated stainless steel wheel for smooth operation
- 198 lb. panel capacity
- 5 year warranty

### Finishes:

- Brushed Stainless Steel (W100)
- Dark Bronze Stainless Steel (W100D)
- Polished Stainless Steel (W100P)

### W100 Kits Include:

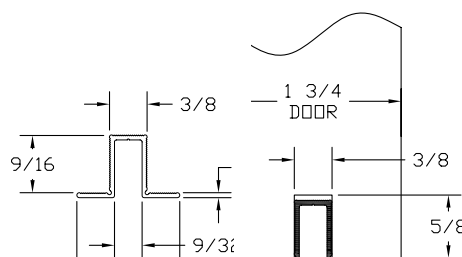
- 1 ea **BAR/\_** Stainless Steel Track
- **BRACKET2** Stainless Steel Wall Brackets
- 2 ea **111** Stainless Steel Hangers
- 1 ea **WOODGUIDE** Stainless Steel Guide
- 2 ea **STOP2** Stainless Steel Stops Mounting Hardware

NOTE: If ordering individual parts in the optional Dark Bronze or Polished finishes, be sure to include a suffix "D" for Dark Bronze or "P" for Polished Stainless

Standard Kit Sizes			
Part Number	Material	Track Length	Door Width
W100/6	304 Stainless Steel	78 <sup>3</sup> / <sub>4</sub> "	36"
W100/8	304 Stainless Steel	98 <sup>7</sup> / <sub>16</sub> "	48"
W100D/6	304 Dark Bronze Stainless Steel	78 <sup>3</sup> / <sub>4</sub> "	36"
W100D/8	304 Dark Bronze Stainless Steel	98 <sup>7</sup> / <sub>16</sub> "	48"
W100P/6	304 Polished Stainless Steel	78 <sup>3</sup> / <sub>4</sub> "	36"
W100P/8	304 Polished Stainless Steel	98 <sup>7</sup> / <sub>16</sub> "	48"

Options: See page 265

- Bottom Channel **94A**
- Roller Guide **106R/94**
- Mortise Guides **102N**
- Polypropylene Guide Rail **EPD3BL For Use With WOODGUIDE**



NOTE: Alternate route dimension when using optional EPD3BL

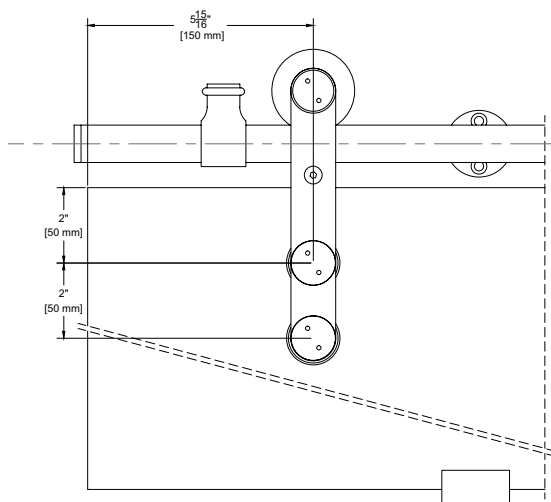
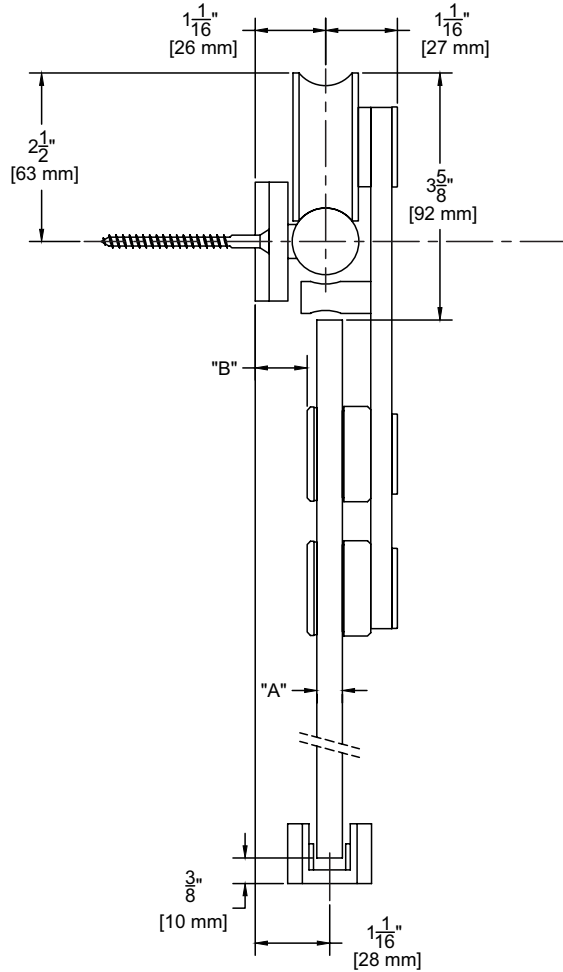
**ASSA ABLOY**

The global leader in door opening solutions

# Stainless Steel Sliding Track Hardware System

## G60 Series for Glass Doors

For Sliding Panels up to 198 lbs.



**Configurations:**

- Single
- Bi-parting

**Installations:**

- Side Wall Mount (only)

**Features:**

- Made of 304 stainless steel
- Nylon coated stainless steel wheel for smooth operation
- 198 lb. panel capacity
- 5 year warranty

**Finishes:**

- Brushed Stainless Steel (G60)
- Dark Bronze Stainless Steel (G60D)
- Polished Stainless Steel (G60P)

**G60 Kits Include:**

- 1 ea **BAR/** Stainless Steel Track
- **BRACKET2** Stainless Steel Wall Brackets
- 2 ea **12** Stainless Steel Hangers
- 1 ea **GLASSGUIDE** Stainless Steel Guide
- 2 ea **STOP2** Stainless Steel Stops Mounting Hardware

NOTE: If ordering individual parts in the optional Dark Bronze or Polished finishes, be sure to include a suffix "D" for Dark Bronze or "P" for Polished Stainless

Standard Kit Sizes			
Part Number	Material	Track Length	Door Width
G60/6	304 Stainless Steel	78 3/4"	36"
G60/8	304 Stainless Steel	98 7/16"	48"
G60D/6	304 Dark Bronze Stainless Steel	78 3/4"	36"
G60D/8	304 Dark Bronze Stainless Steel	98 7/16"	48"
G60P/6	304 Polished Stainless Steel	78 3/4"	36"
G60P/8	304 Polished Stainless Steel	98 7/16"	48"

Glass Thickness "A"	Distance from Wall "B"
3/8"	3/4"
1/2"	5/8"

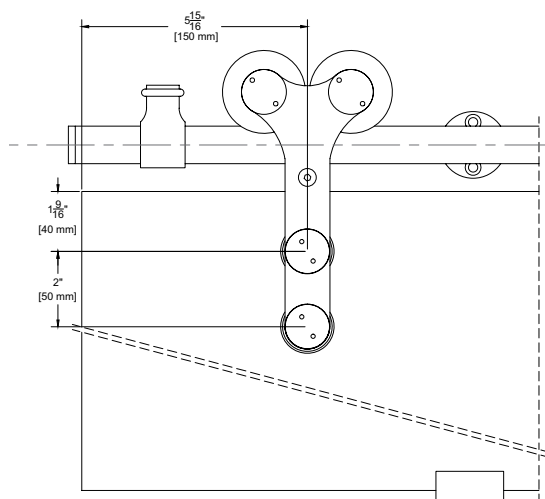
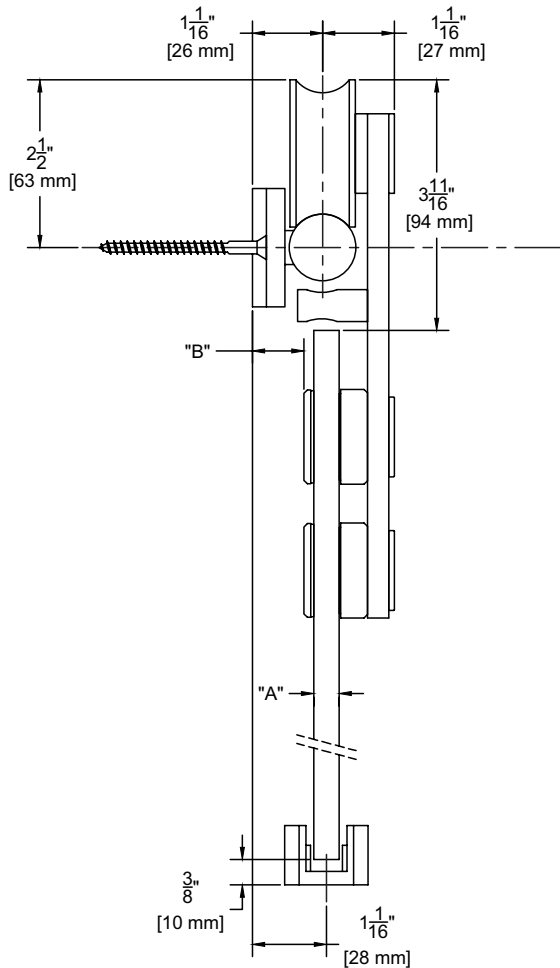
**ASSA ABLOY**

The global leader in door opening solutions

# Stainless Steel Sliding Track Hardware System

## G70 Series for Glass Doors

For Sliding Panels up to 240 lbs.



### Configurations:

- Single
- Bi-parting

### Installations:

- Side Wall Mount (only)

### Features:

- Made of 304 stainless steel
- Nylon coated stainless steel wheel for smooth operation
- 240 lb. panel capacity
- 5 year warranty

### Finishes:

- Brushed Stainless Steel (G70)
- Dark Bronze Stainless Steel (G70D)
- Polished Stainless Steel (G70P)

### G70 Kits Include:

- 1 ea **BAR/\_** Stainless Steel Track
- **BRACKET2** Stainless Steel Wall Brackets
- 2 ea **32** Stainless Steel Hangers
- 1 ea **GLASSGUIDE** Stainless Steel Guide
- 2 ea **STOP2** Stainless Steel Stops Mounting Hardware

NOTE: If ordering individual parts in the optional Dark Bronze or Polished finishes, be sure to include a suffix "D" for Dark Bronze or "P" for Polished Stainless

Standard Kit Sizes			
Part Number	Material	Track Length	Door Width
G70/6	304 Stainless Steel	78 <sup>3</sup> / <sub>4</sub> "	36"
G70/8	304 Stainless Steel	98 <sup>7</sup> / <sub>16</sub> "	48"
G70D/6	304 Dark Bronze Stainless Steel	78 <sup>3</sup> / <sub>4</sub> "	36"
G70D/8	304 Dark Bronze Stainless Steel	98 <sup>7</sup> / <sub>16</sub> "	48"
G70P/6	304 Polished Stainless Steel	78 <sup>3</sup> / <sub>4</sub> "	36"
G70P/8	304 Polished Stainless Steel	98 <sup>7</sup> / <sub>16</sub> "	48"

Options: See page 265

Alternate Stop

**STOP1**

Glass Thickness "A"	Distance from Wall "B"
3/8"	3/4"
1/2"	5/8"

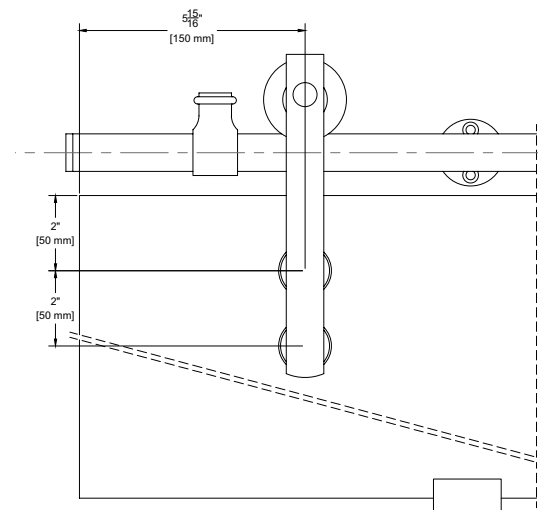
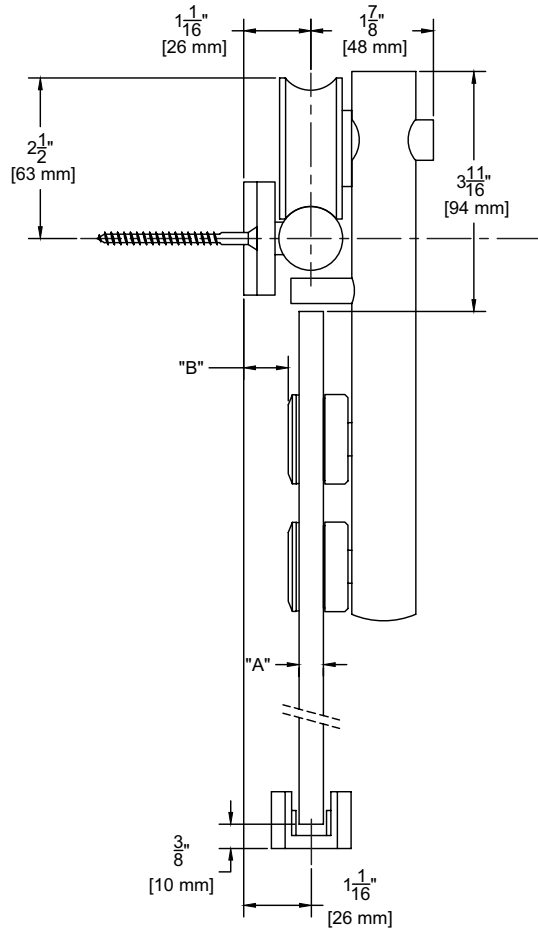
**ASSA ABLOY**

The global leader in  
door opening solutions

# Stainless Steel Sliding Track Hardware System

## G80 Series for Glass Doors

For Sliding Panels up to 198 lbs.



**Configurations:**

- Single
- Bi-parting

**Installations:**

- Side Wall Mount (only)

**Features:**

- Made of 304 stainless steel
- Nylon coated stainless steel wheel for smooth operation
- 198 lb. panel capacity
- 5 year warranty

**Finishes:**

- Brushed Stainless Steel (G80)
- Dark Bronze Stainless Steel (G80D)
- Polished Stainless Steel (G80P)

**G80 Kits Include:**

- 1 ea **BAR/** Stainless Steel Track
- **BRACKET2** Stainless Steel Wall Brackets
- 2 ea **22** Stainless Steel Hangers
- 1 ea **GLASSGUIDE** Stainless Steel Guide
- 2 ea **STOP2** Stainless Steel Stops Mounting Hardware

NOTE: If ordering individual parts in the optional Dark Bronze or Polished finishes, be sure to include a suffix "D" for Dark Bronze or "P" for Polished Stainless

Standard Kit Sizes			
Part Number	Material	Track Length	Door Width
G80/6	304 Stainless Steel	78 3/4"	36"
G80/8	304 Stainless Steel	98 7/16"	48"
G80D/6	304 Dark Bronze Stainless Steel	78 3/4"	36"
G80D/8	304 Dark Bronze Stainless Steel	98 7/16"	48"
G80P/6	304 Polished Stainless Steel	78 3/4"	36"
G80P/8	304 Polished Stainless Steel	98 7/16"	48"

Glass Thickness "A"	Distance from Wall "B"
3/8"	11/16"
1/2"	9/16"

**ASSA ABLOY**

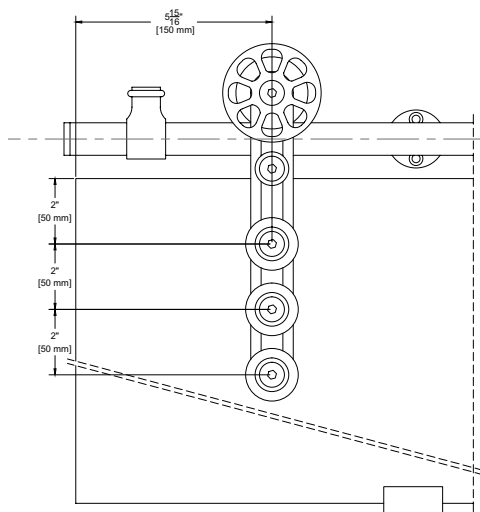
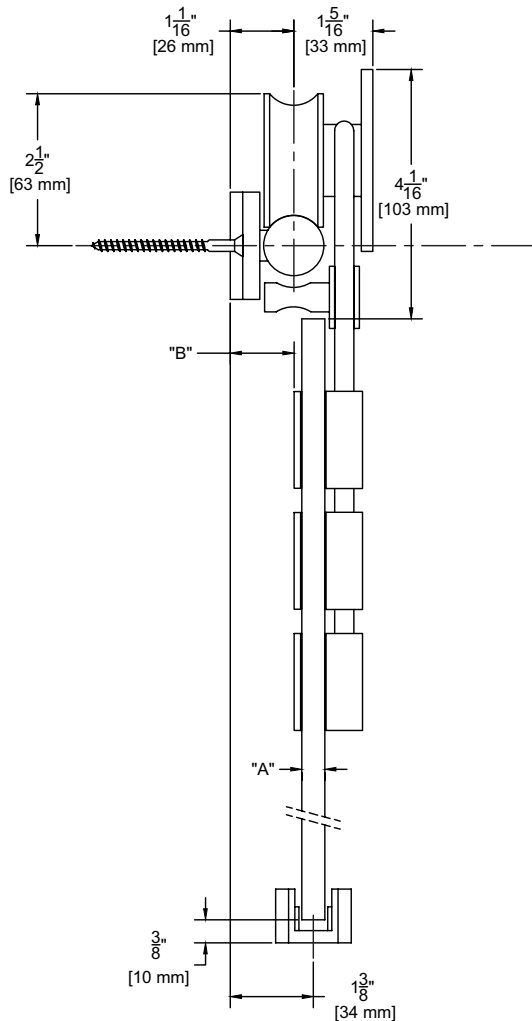
The global leader in door opening solutions



# Stainless Steel Sliding Track Hardware System

## G90 Series for Glass Doors

For Sliding Panels up to 198 lbs.



### Configurations:

- Single
- Bi-parting

### Installations:

- Side Wall Mount (only)

### Features:

- Made of 304 stainless steel
- Nylon coated stainless steel wheel for smooth operation
- 198 lb. panel capacity
- 5 year warranty

### Finishes:

- Brushed Stainless Steel (G90)
- Dark Bronze Stainless Steel (G90D)
- Polished Stainless Steel (G90P)

### G90 Kits Include:

- 1 ea **BAR/\_** Stainless Steel Track
- **BRACKET2** Stainless Steel Wall Brackets
- 2 ea **42** Stainless Steel Hangers
- 1 ea **GLASSGUIDE** Stainless Steel Guide
- 2 ea **STOP2** Stainless Steel Stops Mounting Hardware

NOTE: If ordering individual parts in the optional Dark Bronze or Polished finishes, be sure to include a suffix "D" for Dark Bronze or "P" for Polished Stainless

Standard Kit Sizes			
Part Number	Material	Track Length	Door Width
G90/6	304 Stainless Steel	78 3/4"	36"
G90/8	304 Stainless Steel	98 7/16"	48"
G90D/6	304 Dark Bronze Stainless Steel	78 3/4"	36"
G90D/8	304 Dark Bronze Stainless Steel	98 7/16"	48"
G90P/6	304 Polished Stainless Steel	78 3/4"	36"
G90P/8	304 Polished Stainless Steel	98 7/16"	48"

Glass Thickness "A"	Distance from Wall "B"
3/8"	1 1/16"
1/2"	15/16"

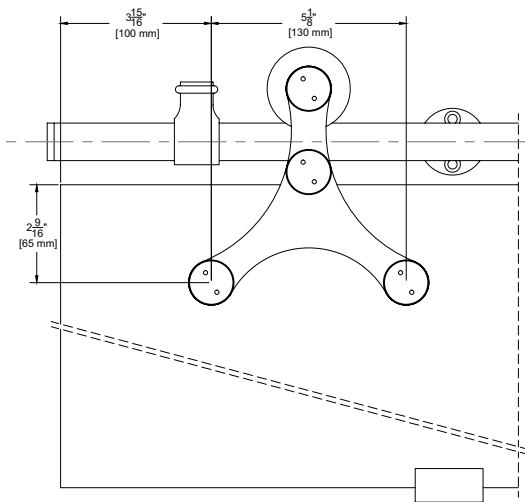
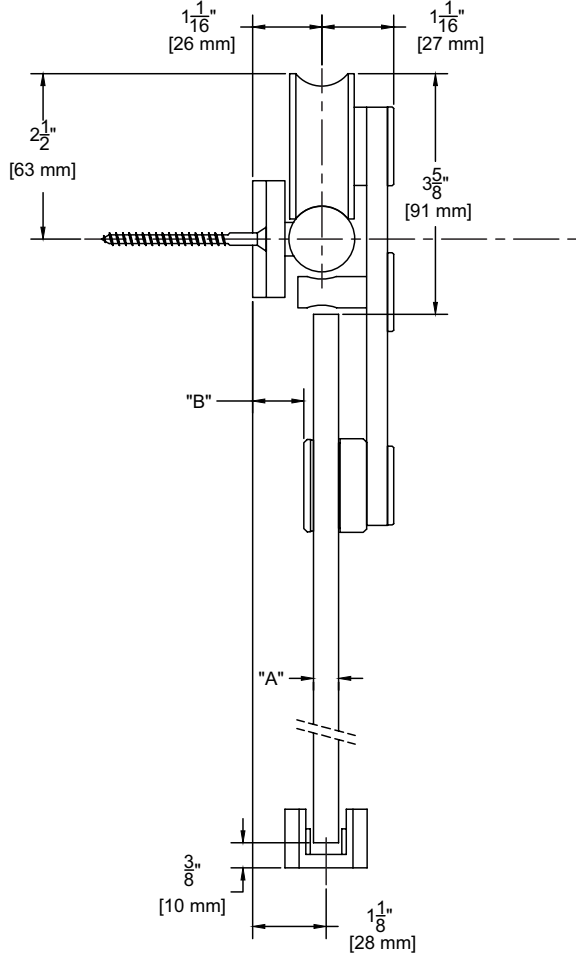
**ASSA ABLOY**

The global leader in door opening solutions

# Stainless Steel Sliding Track Hardware System

## G100 Series for Glass Doors

For Sliding Panels up to 198 lbs.



**Configurations:**

- Single
- Bi-parting

**Installations:**

- Side Wall Mount (only)

**Features:**

- Made of 304 stainless steel
- Nylon coated stainless steel wheel for smooth operation
- 198 lb. panel capacity
- 5 year warranty

**Finishes:**

- Brushed Stainless Steel (G100)
- Dark Bronze Stainless Steel (G100D)
- Polished Stainless Steel (G100P)

**G100 Kits Include:**

- 1 ea **BAR/** Stainless Steel Track
- **BRACKET2** Stainless Steel Wall Brackets
- 2 ea **52** Stainless Steel Hangers
- 1 ea **GLASSGUIDE** Stainless Steel Guide
- 2 ea **STOP2** Stainless Steel Stops Mounting Hardware

NOTE: If ordering individual parts in the optional Dark Bronze or Polished finishes, be sure to include a suffix "D" for Dark Bronze or "P" for Polished Stainless

Standard Kit Sizes			
Part Number	Material	Track Length	Door Width
G100/6	304 Stainless Steel	78 3/4"	36"
G100/8	304 Stainless Steel	98 7/16"	48"
G100D/6	304 Dark Bronze Stainless Steel	78 3/4"	36"
G100D/8	304 Dark Bronze Stainless Steel	98 7/16"	48"
G100P/6	304 Polished Stainless Steel	78 3/4"	36"
G100P/8	304 Polished Stainless Steel	98 7/16"	48"

Glass Thickness "A"	Distance from Wall "B"
3/8"	3/4"
1/2"	5/8"

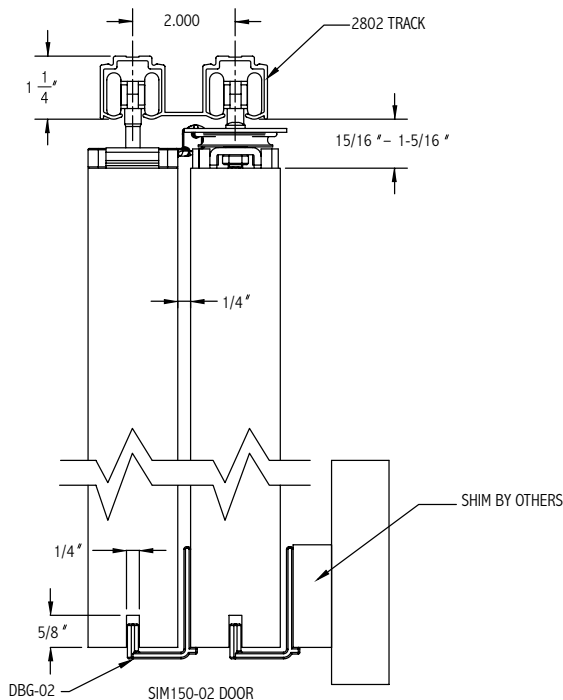
**ASSA ABLOY**

The global leader in door opening solutions

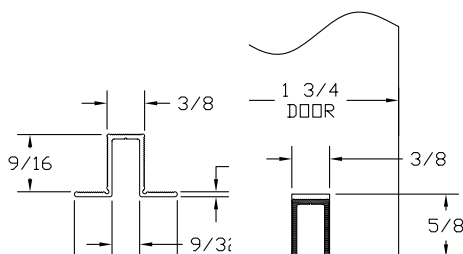
# Simultaneous Acting Sliding Door System

## SIM 150 for 2 Door Systems

For Sliding Panels up to 176 lbs.



### Alternate Route for EPD3BL



#### Configurations:

- Bi-part Telescoping

#### Installations:

- Overhead Mount

#### Features:

- Easy to install with self aligning components
- Telescoping panels glide along the track
- Doors retract into storage pockets when not in use
- 5 year warranty

#### Finishes:

- Clear (C)
- Dark Bronze (D)

### Pulley System Kit Includes:

- Pre-Assembled Pulley System
- In-Track Stops and Hangers
- Door Bottom Guides
- Floor Stops, Back Stop and End Plates
- Installation Fasteners

Single Extrusion Aluminum Track must be ordered separately.

Specify door width when ordering. Default door overlap is 3". Any other overlap must be specified (Min. overlap is 2").

Pulley System Kits	
Part Number	Door Width
SIM150-2-LH/25-32	25" - 32"
SIM150-2-LH/33-40	33" - 40"
SIM150-2-LH/41-48	41" - 48"
SIM150-2-RH/25-32	25" - 32"
SIM150-2-RH/33-40	33" - 40"
SIM150-2-RH/41-48	41" - 48"

System Track		
Track	Finish	Track Length
2802C	Clear	up to 147"
2802D	Dark	up to 185"

#### Options:

- Lock Kit- includes lock with edge pull, and cup pull, **SIM150-LOCKKIT**
- Bolt Kit- includes surface bolt, dust-proof strike, cup pull, and edge pull, **SIM150-BOLTKIT**
- Snap-on Fascia Available **F134**
- Polypropylene Guide Rail **EPD3BL**

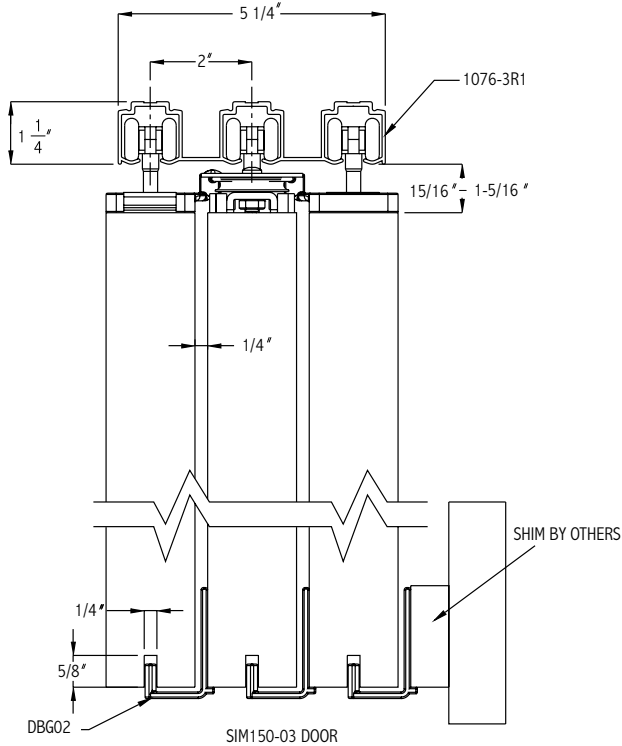
**ASSA ABLOY**

The global leader in door opening solutions

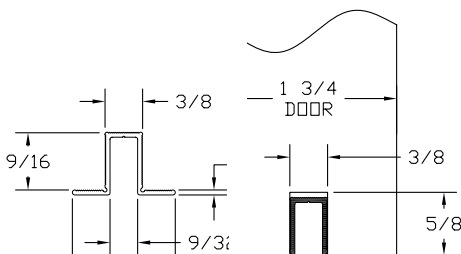
# Simultaneous Acting Sliding Door System

## SIM 150 for 3 Door Systems

For Sliding Panels up to 176 lbs.



### Alternate Route for EPD3BL



#### Configurations:

- Bi-part Telescoping

#### Installations:

- Overhead Mount

#### Features:

- Easy to install with self aligning components
- Telescoping panels glide along the track
- Doors retract into storage pockets when not in use
- 5 year warranty

#### Finishes:

- Clear (C)
- Dark Bronze (D)

### Pulley System Kit Includes:

Pre-Assembled Pulley System

In-Track Stops and Hangers

Door Bottom Guides

Floor Stops, Back Stop and End Plates

Installation Fasteners

Single Extrusion Aluminum Track must be ordered separately.

Specify door width when ordering. Default door overlap is 3". Any other overlap must be specified (Min. overlap is 2").

#### Pulley System Kits

Part Number	Door Width
SIM150-3-LH/25-32	25" - 32"
SIM150-3-LH/33-40	33" - 40"
SIM150-3-LH/41-48	41" - 48"
SIM150-3-RH/25-32	25" - 32"
SIM150-3-RH/33-40	33" - 40"
SIM150-3-RH/41-48	41" - 48"

#### System Track

Track	Finish	Track Length
2803C	Clear	up to 185"
2803D	Dark	up to 185"

#### Options:

Lock Kit- includes lock with edge pull, and cup pull, **SIM150-LOCKKIT**

Bolt Kit- includes surface bolt, dust-proof strike, cup pull, and edge pull, **SIM150-BOLTKIT**

Snap-on Fascia Available **F134**

Polypropylene Guide Rail **EPD3BL**

## ASSA ABLOY

The global leader in  
door opening solutions

## Options & Accessories

A visual guide to various parts

### Mounting Brackets

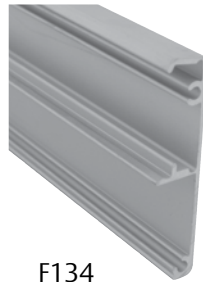


281  
(Sold in 5 packs, 2815)

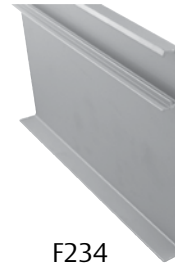


2812

### Fascia



F134



F234

### End plates



K134EP

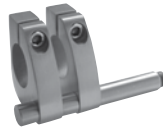
### Stops



TELS-14KIT



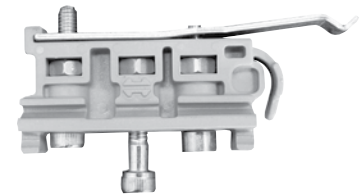
287HD



STOP1  
W70 and G70 Kits only



PFBS



601H

### Guides



102N



PFBG-4



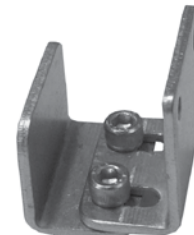
PFBG-8



106R/94

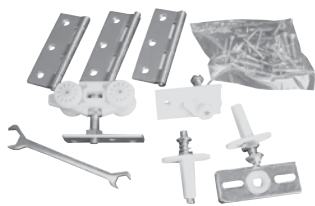


106N/94

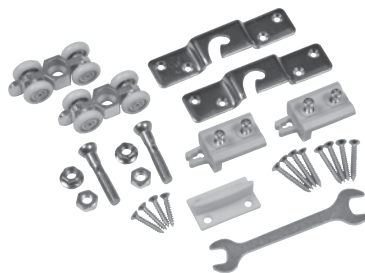


102WA

### Hardware Kits

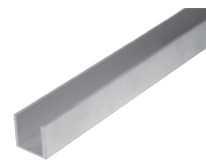


Folding  
HF2/100 Pack



Sliding  
H200PACK

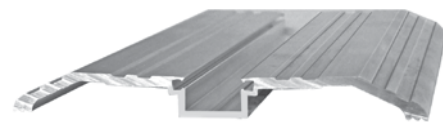
### Bottom Channel



94A



2802BT



971A

**ASSA ABLOY**

The global leader in  
door opening solutions

