



ThyCurb

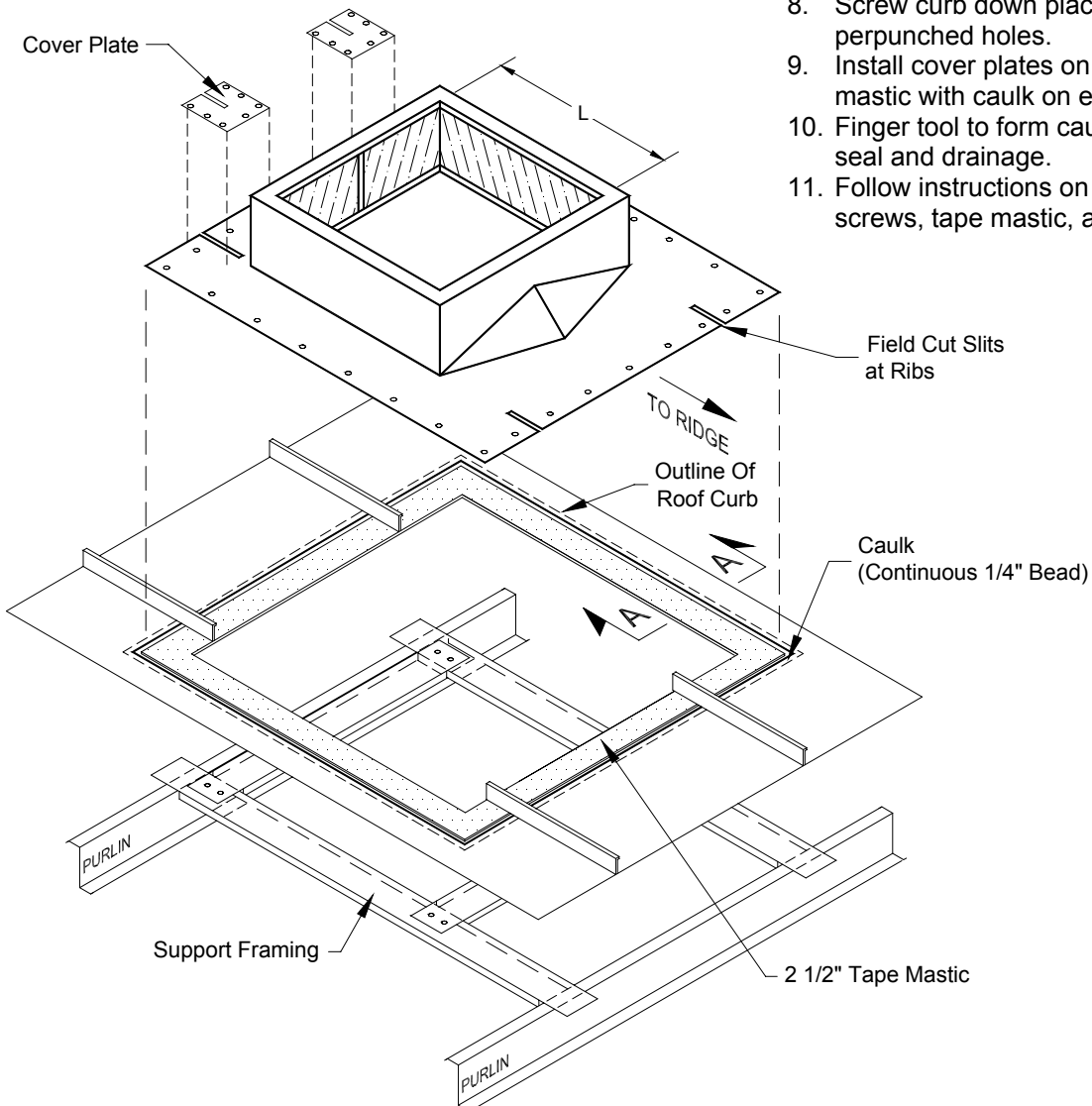
by the fabricating division of
Thybar Corporation

Vertical Seam Roof Panel

INSTALLATION INSTRUCTIONS

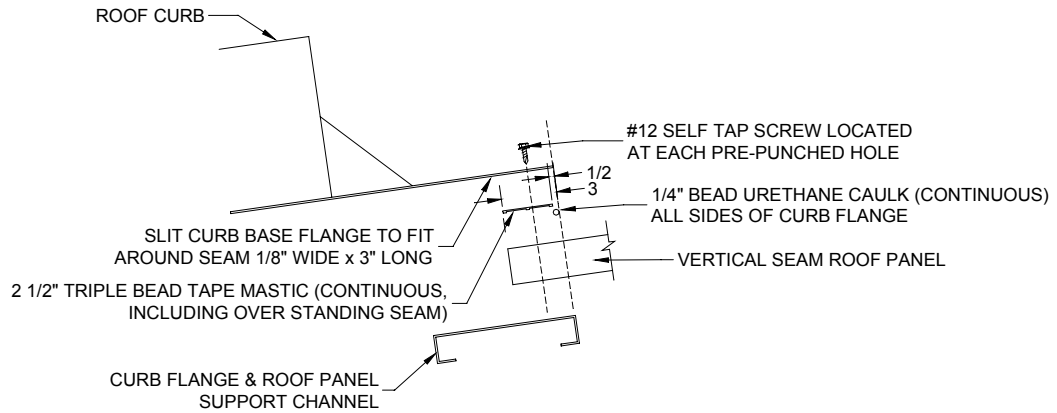
Note: These instructions are meant as a general guide only. Some variations may occur, refer to as built drawings before proceeding.

1. Measure and cut hole in roof panel.
(Opening width = curb I.D. and Opening length = curb I.D.+ 13").
2. Measure curb for field slits in flanges at ribs (3" on front and 6" on back.)
3. Mark curb flange locations on roof panel, remove curb, install 2 1/2" tape mastic 1/2" inside of mark.
4. Slide curb under top of seam the full 6" to clear front ribs.
5. Slide curb forward tight to front ribs.
6. Set curb down on tape mastic
7. Apply 1/4" bead of urethane caulk under curb flange.
8. Screw curb down placing screws in all perpunched holes.
9. Install cover plates on 1" x 1/8" tape mastic with caulk on exposed slits.
10. Finger tool to form caulking for a proper seal and drainage.
11. Follow instructions on back of sheet for screws, tape mastic, and caulk.

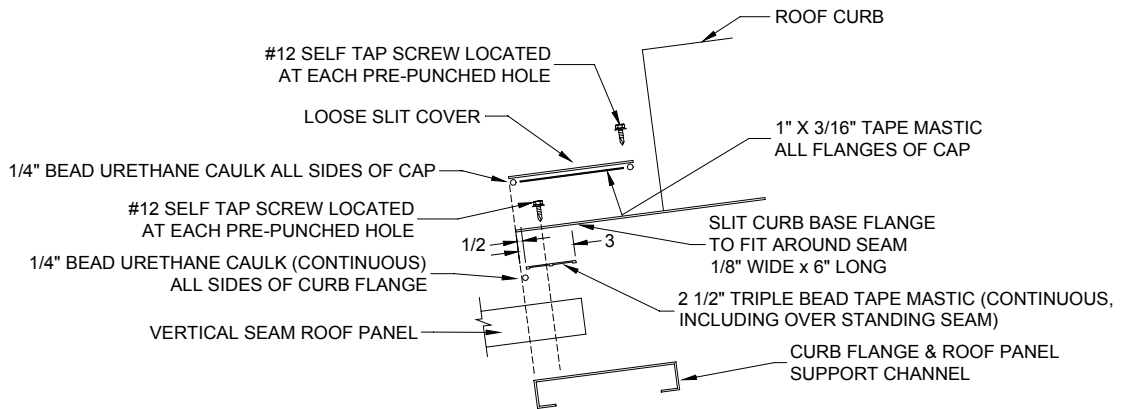


***Screws, tape mastic, caulk, and support framing by others**

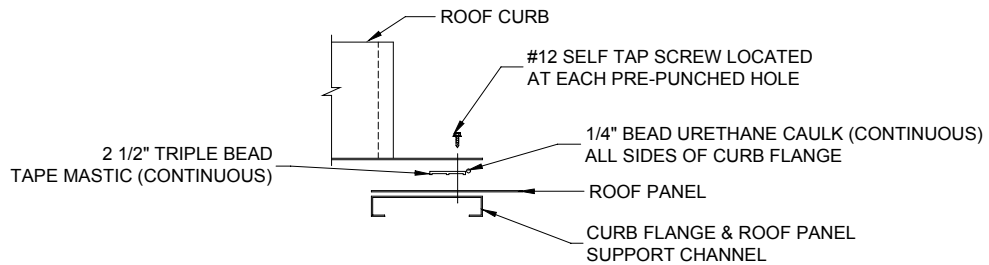
Vertical Seam Roof Panel Erection Details



Roof Curb Upslope Flange



Roof Curb Downslope Flange



Roof Curb - Sides Section AA