

Thybar
Corporation

Roof Hatch

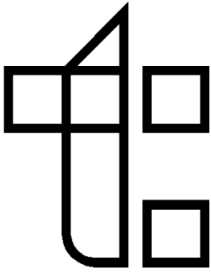


Roof Hatch with Support Rails

OSHA-Compliant for Roof Safety



- Roof hatch with rails sold as assembly
- Safety rails welded to hatch
- No painting required
- No field assembly required
- Easy access to a building roof

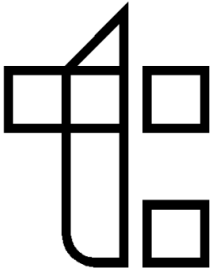


**Thybar
Corporation**

Roof Hatch



Table of Contents	
General Information	116
Specifications	117
Assembly Instructions	118
Submittal	119-120
Technical Data	121
Submittal - Metal Building Roof Hatch	122



**Thybar
Corporation**

Roof Hatch

General Information

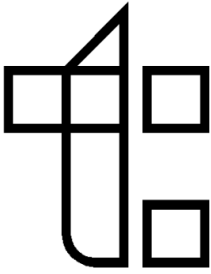


Roof Hatches are designed to provide quick and easy access to the building roof. The integral roof curb is adaptable to any type of metal building roof. Roof Hatches are used in commercial, institutional and industrial buildings where ready access to the roof is required for maintenance of rooftop equipment.

The hatch cover is fabricated of 14 gauge galvanized steel exterior with 1" thick fiberglass insulation and 20 gauge G-90 galvanized steel liner. A neoprene gasket, permanently attached to the liner, provides a dust and draft proof weather-tight seal. Heavy duty hinges allow hatch cover to open a full 90°. Opening is aided by an assist spring, and a hold open arm automatically locks cover in the full open position. A red vinyl handle is provided on the hold open arm for one-handed closing.

The roof curb portion of the hatch is fabricated of 14 gauge G-90 galvanized steel. Minimum height is 12" with 6" flanges, integral counter flashing and integral water deflector. Roof Hatches are manufactured in four standard sizes, and can be provided in special sizes to meet special job requirements.





**Thybar
Corporation**

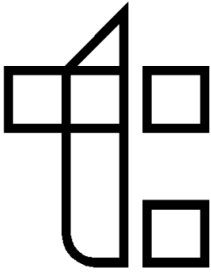
Roof Hatch

Specification



Roof hatch curb shall be fabricated with 14 gauge G-90 galvanized steel, complete with counter flashing and 1" thick glass fiber rigid insulation. Curb shall be 12" high and formed with 6" flange for attachment to roof deck. Roof Hatch shall be completely assembled with heavy duty hinges, complete with 1" insulation covered by a metal liner, neoprene draft seal and inside spring latch and handle with provisions for padlock. All hardware shall be zinc plated steel. The automatic hold open arm shall be provided with red vinyl handle for one-handed release.





Thybar
Corporation

Roof Hatch

Assembly Instructions



Roof hatch curb assembly instructions are to be used as general guidelines only. Included with shipment are as-built drawings for proper location of sections and channels. Use as-built drawings to identify and locate match-marked sections (1-1, A-A, etc..)

If roof hatch curb assembly will not be installed and roofed-in upon receipt, it is recommended that roof hatch curb should be stored level and adequately supported to avoid damage and, a clean, dry location to avoid possible corrosion problems associated with extended contact with the ground.

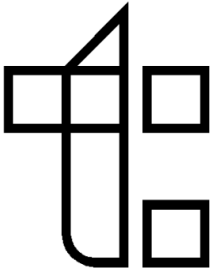
If the roof hatch curb will be mounted on a **new building**, it can be assembled at any convenient location and installed as soon as the roof support members are in place. As a general rule, the curb should be placed directly on the roof support members, use tack welding (or other equivalent fastening method) to secure the curb in place.

As an alternative, the roof hatch curb can also be mounted on a roof deck. When a deck is used, be sure to provide additional blocking directly below the curb flanges to give further support and minimize vibration.

Assembling Roof Hatch Curb

1. Select an area conveniently located near the unit installation site, and open the curb shipping carton(s). **Verify that all materials, nuts, bolts and gasketing, were received.**
2. Caulk all seams and fasten with self-drilling sheet metal screws.
3. Apply adhesive backed gasketing provided with curb to the entire perimeter of the top of roof curb.

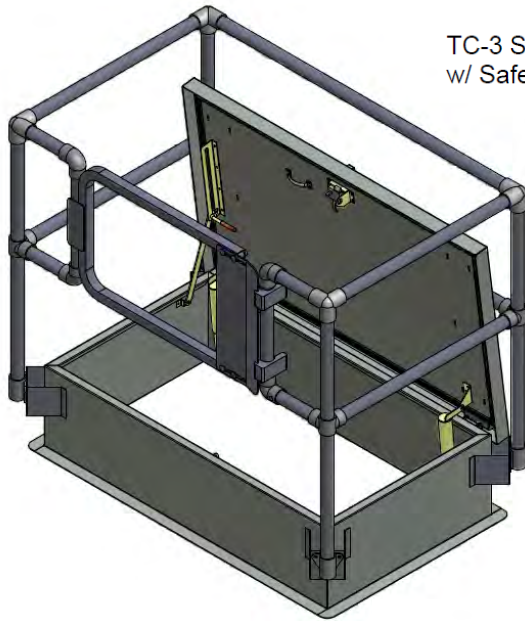
Note: These instructions are meant as a general guide only. Some variations may occur, refer to as-built drawings before proceeding.



Thybar Corporation

Single Leaf Roof Hatch

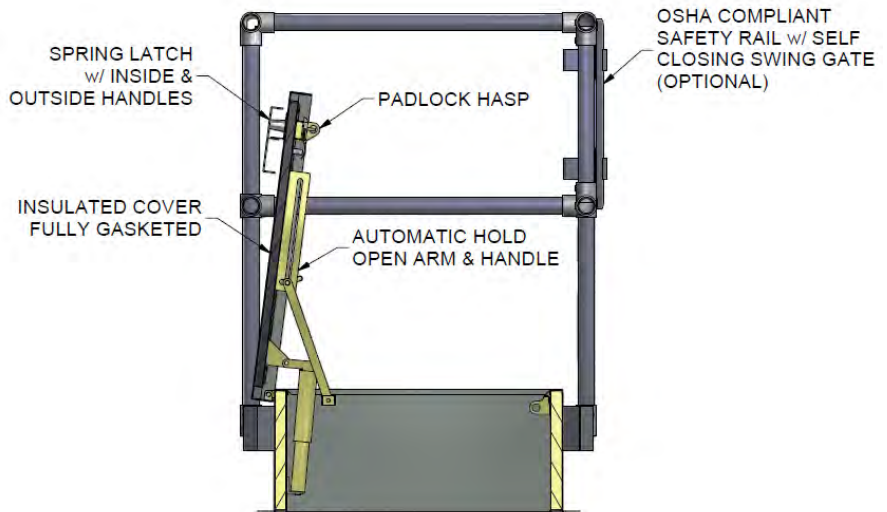
Submittal



TC-3 Style Roof Hatch w/ Safety Rail

Standard Features:

1. Insulated hatch cover with handle for opening and closing
2. 12" Metal Curb
3. Counter flashing
4. Hold-Open Arm
5. Neoprene Gasket
6. Compression Lifting Mechanism
7. 3 1/2" Roof Flange



Model Slope Remarks		

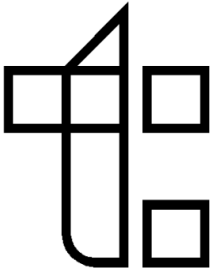
Addison Corporate Office
 913 S. Kay Avenue
 Addison, IL 60101
 Ph: (630) 543-5300
 Fax: (630) 543-5309
 800-666-CURB (2872)

Farmers Branch Office
 13801 Senlac Drive
 Farmers Branch, TX 75234
 Ph: (972) 416-6220
 Fax: (972) 418-6713
 800-777-CURB (2872)

Akron Office
 Burt Manufacturing Co.
 44 E. South Street
 Akron, OH 44311
 Ph: (330) 762-0061
 Fax: (330) 762-0914
 800-837-CURB (2872)

Louisville Office
 10200 Bunsen Way
 Louisville, KY 40299
 Ph: (502) 499-5480
 Fax: (502) 499-5481
 800-993-CURB (2872)

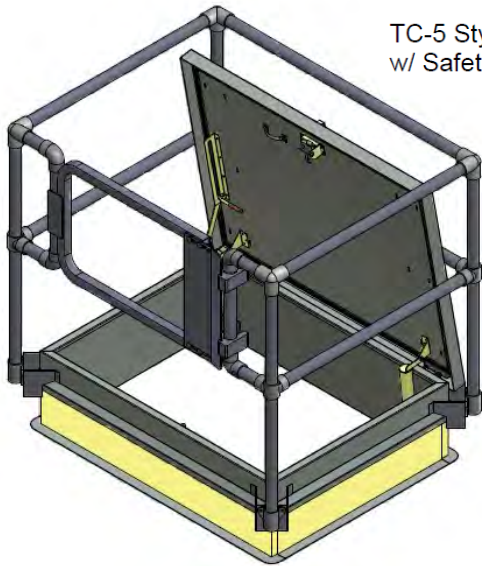
McCarran Office
 711 Denmark Drive
 McCarran, NV 89434
 Ph: (775) 343-0600
 Fax: (775) 343-0606
 866-917-CURB (2872)



Thybar Corporation

Single Leaf Roof Hatch

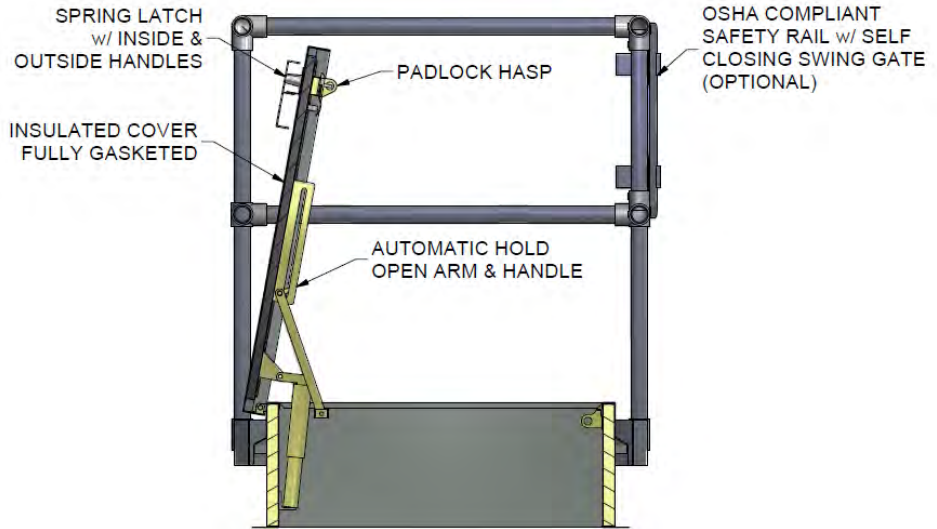
Submittal



TC-5 Style Roof Hatch
w/ Safety Rail

Standard Features:

1. Insulated hatch cover with handle for opening and closing
2. 12" Metal Curb
3. Counter flashing
4. Hold-Open Arm
5. Neoprene Gasket
6. Compression Lifting Mechanism
7. 3 1/2" Roof Flange



Model	Slope	Remarks

Addison Corporate Office

913 S. Kay Avenue
Addison, IL 60101
Ph: (630) 543-5300
Fax: (630) 543-5309
800-666-CURB (2872)

Farmers Branch Office

13801 Senlac Drive
Farmers Branch, TX 75234
Ph: (972) 416-6220
Fax: (972) 418-6713
800-777-CURB (2872)

Akron Office

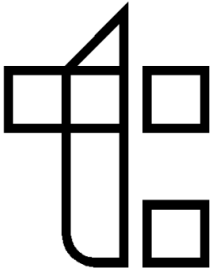
Burt Manufacturing Co.
44 E. South Street
Akron, OH 44311
Ph: (330) 762-0061
Fax: (330) 762-0914
800-837-CURB (2872)

Louisville Office

10200 Bunsen Way
Louisville, KY 40299
Ph: (502) 499-5480
Fax: (502) 499-5481
800-993-CURB (2872)

McCarran Office

711 Denmark Drive
McCarran, NV 89434
Ph: (775) 343-0600
Fax: (775) 343-0606
866-917-CURB (2872)



**Thybar
Corporation**

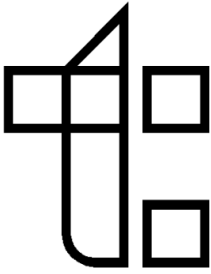
Metal Building Roof Hatch

Technical Data



- Roof Hatches for Pre-engineered Metal Buildings are custom fabricated to fit any standing seam or rib panel configuration.
- Curb and cover are fabricated of heavy gauge G-90 galvanized steel and factory insulated.
- All welded construction and integral conforming notches assure a watertight seal.
- Integral water deflecting cricket.
- Designed to provide permanent, trouble free performance for safe access to roof.
- Installation is quick and simple operation. Place hatch over opening and fasten hatch flange to deck.

Materials and Model Numbers	Width	3' - 0"	3' - 0"	2' - 6"	2' - 6"
	Hinge Side	2' - 6"	3' - 0"	4' - 6"	8' - 0"
GALVALUME™ Cover and curb Cover 14 gauge - Curb 14 gauge		TC 310-MBH	TC 315-MBH	TC 320-MBH	TC 330-MBH
	Shipping WGT.	165 lbs.	185 lbs.	220 lbs.	300 lbs.

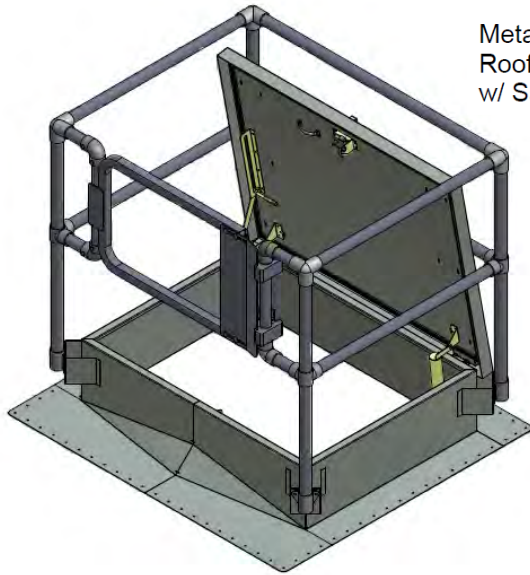


Thybar Corporation

Single Leaf Metal Building Roof Hatch– TC-3 MBDN Double Notch



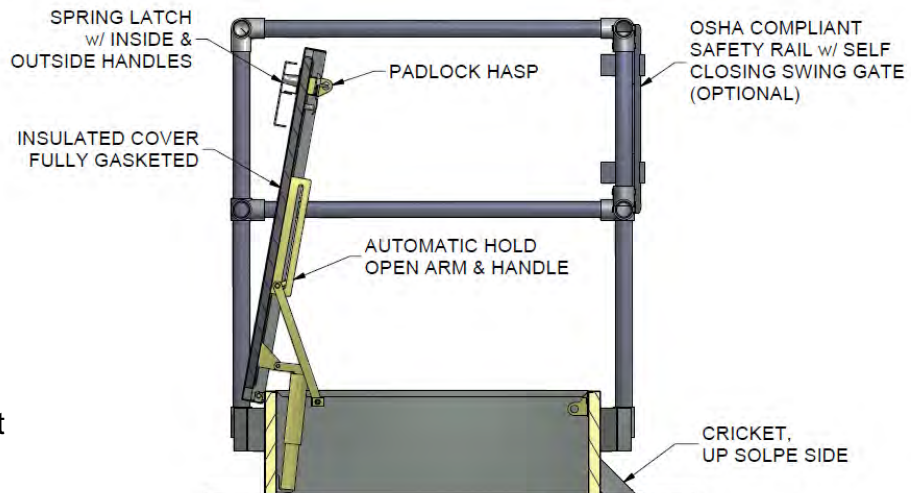
Submittal



Metal Building Style
Roof Hatch
w/ Safety Rail

Standard Features:

1. 14 gauge GALVALUME™
2. Insulated hatch cover with handle for opening and closing
3. 12” height
4. Integral cricket
5. 1/4” diameter holes 3” o/c full perimeter of flange
6. Hold-open arm
7. Neoprene gasket
8. Spring lifting mechanism



Added Options:

1. Loose cell caps-fit rib configuration
2. Welded cell caps
3. Flat Flange
4. Straddle Center
5. Center Notch

Model	Slope	Remarks

Addison Corporate Office

913 S. Kay Avenue
Addison, IL 60101
Ph: (630) 543-5300
Fax: (630) 543-5309
800-666-CURB (2872)

Farmers Branch Office

13801 Senlac Drive
Farmers Branch, TX 75234
Ph: (972) 416-6220
Fax: (972) 418-6713
800-777-CURB (2872)

Akron Office

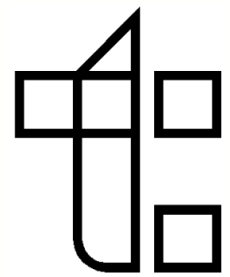
Burt Manufacturing Co.
44 E. South Street
Akron, OH 44311
Ph: (330) 762-0061
Fax: (330) 762-0914
800-837-CURB (2872)

Louisville Office

10200 Bunsen Way
Louisville, KY 40299
Ph: (502) 499-5480
Fax: (502) 499-5481
800-993-CURB (2872)

McCarran Office

711 Denmark Drive
McCarran, NV 89434
Ph: (775) 343-0600
Fax: (775) 343-0606
866-917-CURB (2872)



**Thybar
Corporation**



Vibro-Mate™



Addison Corporate Office

913 S. Kay Avenue
Addison, IL 60101
Ph: (630) 543-5300
Fax: (630) 543-5309
800-666-CURB (2872)

Farmers Branch Office

13801 Senlac Drive
Farmers Branch, TX 75234
Ph: (972) 416-6220
Fax: (972) 418-6713
800-777-CURB (2872)

Akron Office

Burt Manufacturing Co.

44 E. South Street
Akron, OH 44311
Ph: (330) 762-0061
Fax: (330) 762-0914
800-837-CURB (2872)

Louisville Office

10200 Bunsen Way
Louisville, KY 40299
Ph: (502) 499-5480
Fax: (502) 499-5481
800-993-CURB (2872)

McCarran Office

711 Denmark Drive
McCarran, NV 89434
Ph: (775) 343-0600
Fax: (775) 343-0606
866-917-CURB (2872)