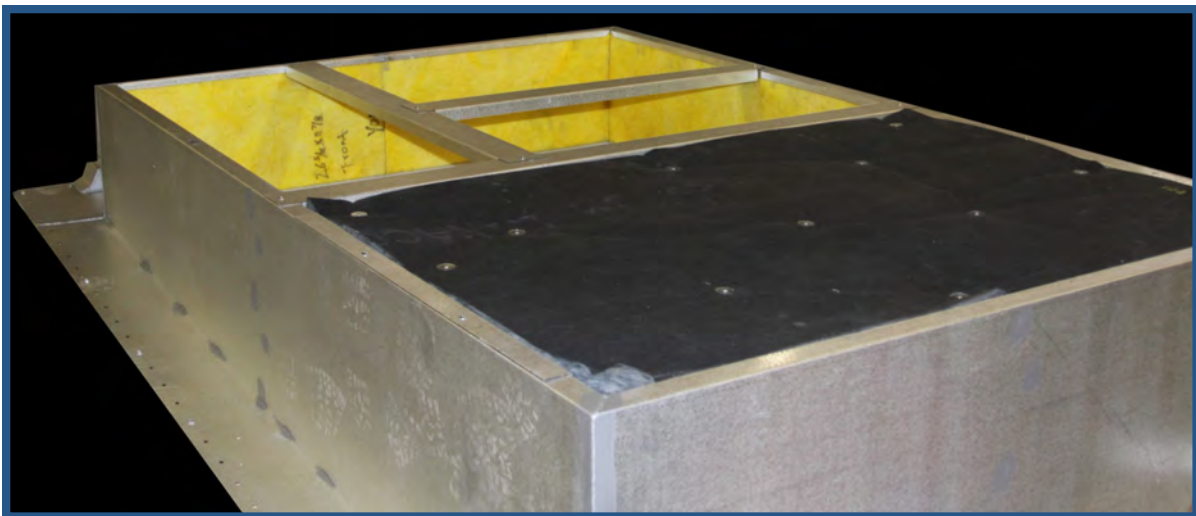
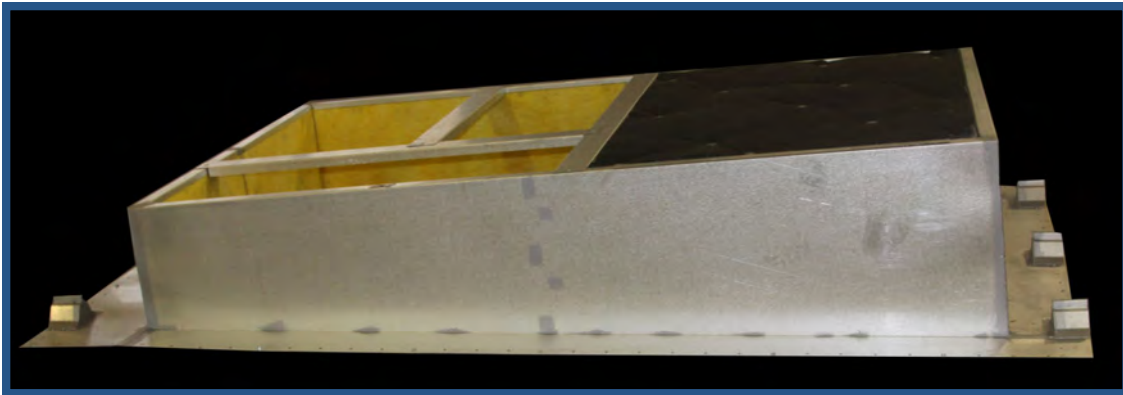
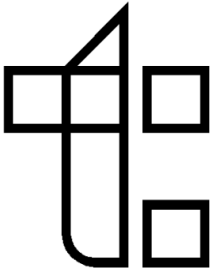


Thybar
Corporation

Metal Building Roof Curbs





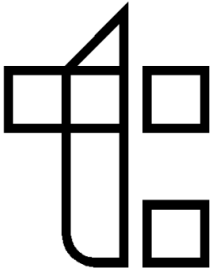
**Thybar
Corporation**

Metal Building Roof Curbs



Table of Contents

General Information	131
Specifications	132-133
Layout	134-135
Assembly Instructions	136-137
Submittal	138-141



**Thybar
Corporation**

Metal Building Roof Curbs

General Information

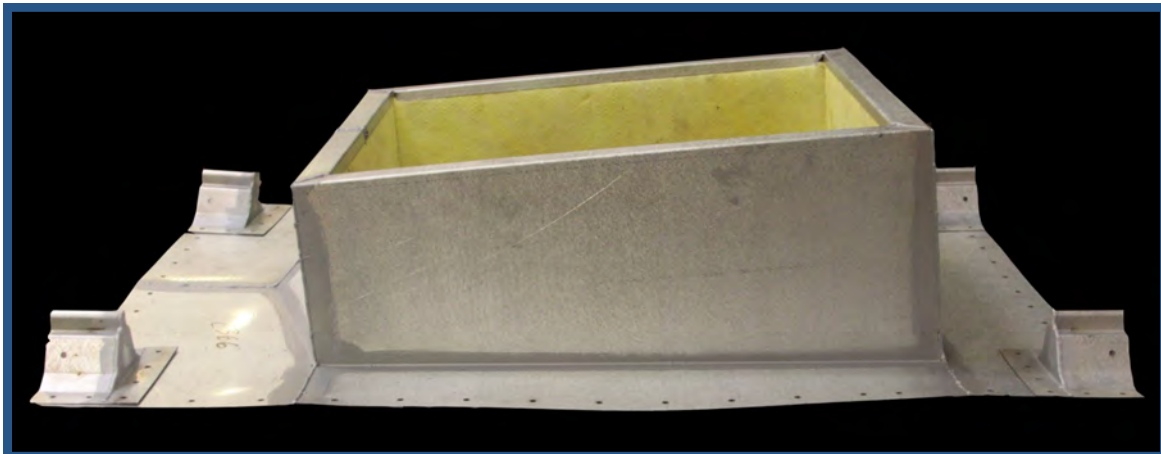


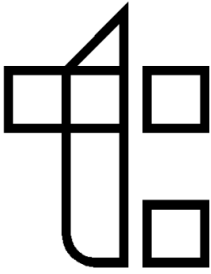
Roof curbs & roof accessories shall be installed by the metal building erector in accordance with the installation instructions supplied with the products as well as the metal building manufacturers standard erection specifications.

Metal Building Curbs are custom fabricated to fit any standing seam or rib panel roof configuration.

Constructed of heavy gauge galvanized steel. Curbs can be made to match any roof slope, and to fit any rooftop equipment. All welded construction and integral or separate conforming notches assure a water tight seal.

Structural double curbs are required to support units that weigh over 1500 lbs. For standing seam roofs expansion clips and roofs with thermal blocks. For screw down roofs over 2500 lbs.





**Thybar
Corporation**

Metal Building Roof Curb

Specifications



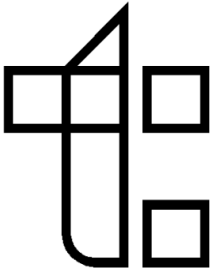
Roof curbs shall be, pre-fabricated of Prime G-90 galvanized steel, minimum 18 gauge. Construction shall conform to commercial quality specifications, with fully mitered and welded corners, and shall include a formed-in integral water diverter. All welds shall be continuous, and shall be coated with one coat of aluminum colored urethane sealer. Curbs shall be internally reinforced, factory insulated, with 1 1/2" thick 3 lb. density fiberglass insulation. Height shall be a minimum of 8" above the plane of the roof panel or as detailed. Top of all curbs for roof top equipment shall be level, with pitch built into curbs. Curbs for roof hatches, skylights, and smoke hatches shall be constant height curbs following pitch of the roof unless specified otherwise. All curb flanges shall be pre-punched at 3" centers with 1/4" holes, 1" in from outside edge of flanges.

Roof curbs for Standing Seam roof panels with trapezoid seams and 12" rib screw down roof panels shall have separate cell caps for field location. Cell caps shall be of the same material as curbs and shall have flanges pre-punched.

Curbs shall be furnished with "ERECPAKS" which include: 2 1/2" triple bead tape mastic, urethane caulk, self-drill screws for flanges, self-tap screws for the sides or tops of the cell caps, and 3/4" tape mastic for the base flanges of the cell caps.

Installation instructions shall be shipped with all roof curbs.

Roof curbs shall be supported by a framing system, which fully supports all curb flanges and the weight of the equipment being supported by the curb. Framing system shall allow the curb to float during expansion and contraction of the roof panel. Roof curb and frame shall not pin the roof panel to the building structural system. Roof top equipment on Standing Seam roofs which exceeds 1500 lbs. shall be supported on a "Structural Double Curb" which has an inner curb to transfer the equipment weight to the building structural system and an outer curb which flashes to the inner curb, preventing the unit from pinning the roof panel to the structural system. The double curb shall also be used for screw down roof panel with units weighing over 2500 lbs



**Thybar
Corporation**

Metal Building Roof Curb

Specifications

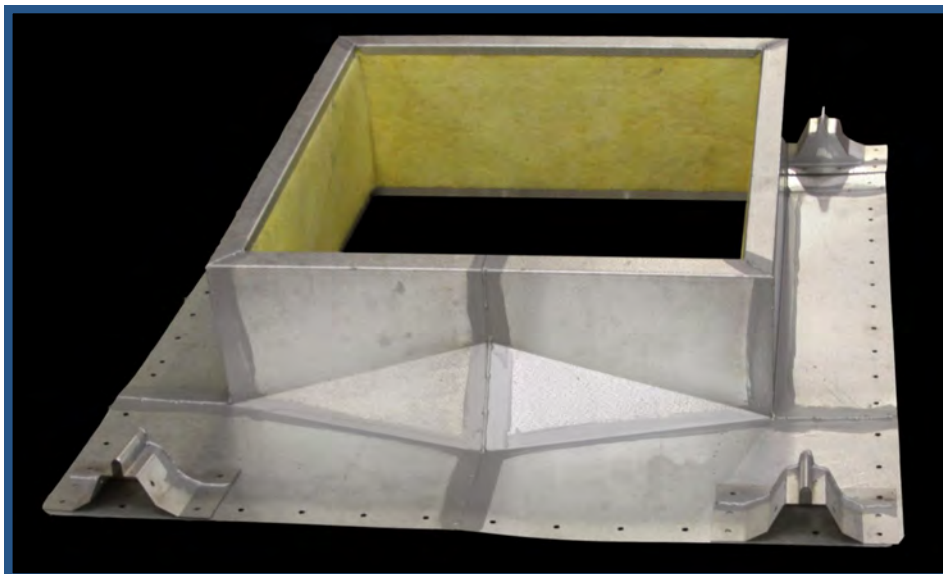


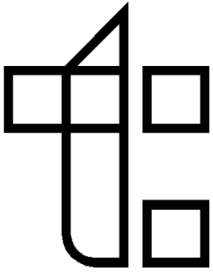
Standard Construction

1. 18 gauge G-90 galvanized steel shell and base plate
2. 1 1/2" thick, 3 lb. density rigid insulation
3. 8" minimum height
4. Integral water deflecting cricket. (TC-3 M.B.D.N.)
5. Built to roof pitch
6. Built-in rib configuration
7. 3" attachment flanges

Optional Features

1. Aluminum or galvanized steel
2. Heavier gauge
3. Extra height
4. Double pitch for ridge mounting
5. Un-Insulated

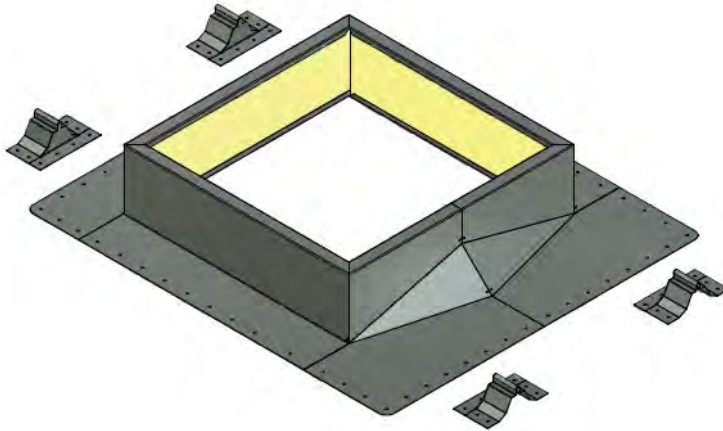




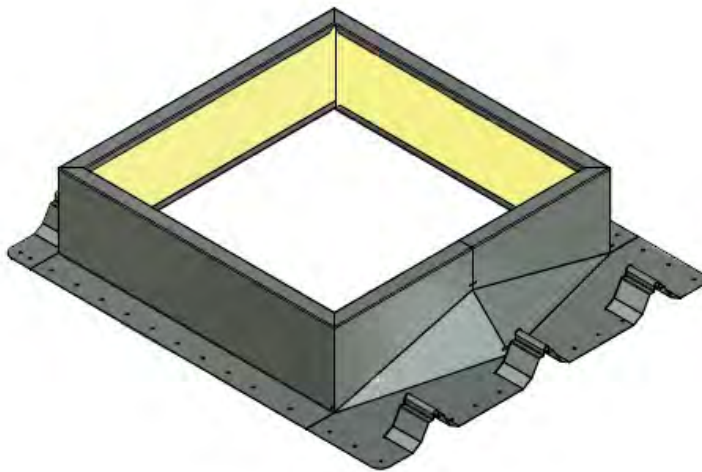
**Thybar
Corporation**

Metal Build Roof Curbs

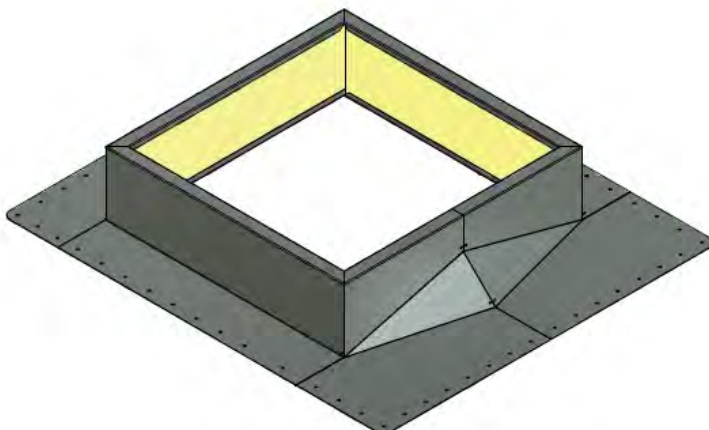
Typical Layout



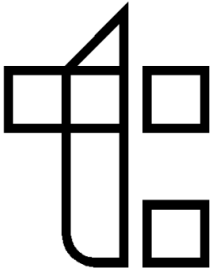
**TC-3 MBD Retro
Loose Cell Caps
Standing Seam &
Screw Down Panel**



**TC-3 MBDN
Fixed Cell Caps
Standing Seam &
Screw Down Panel**



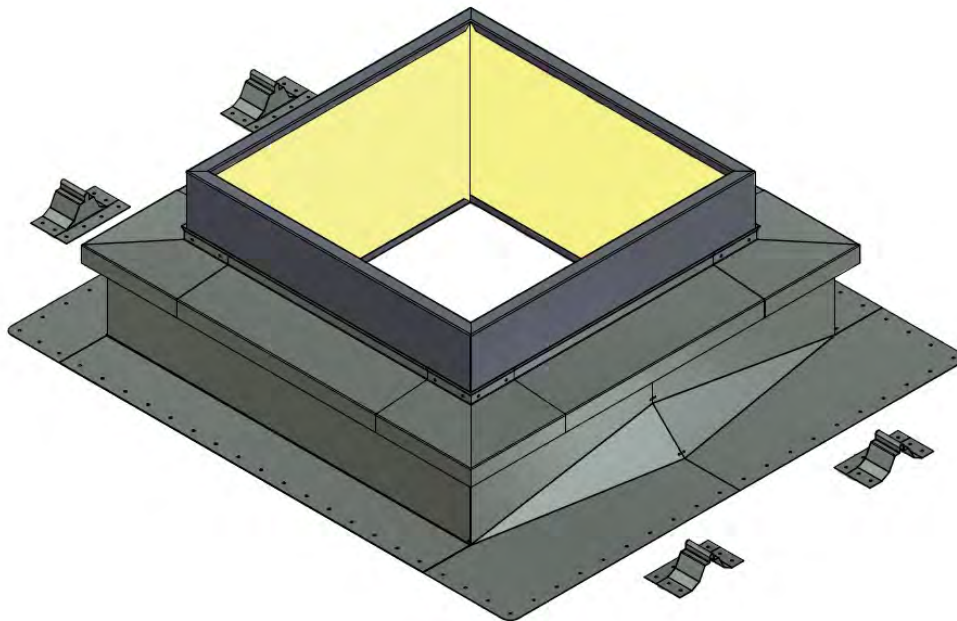
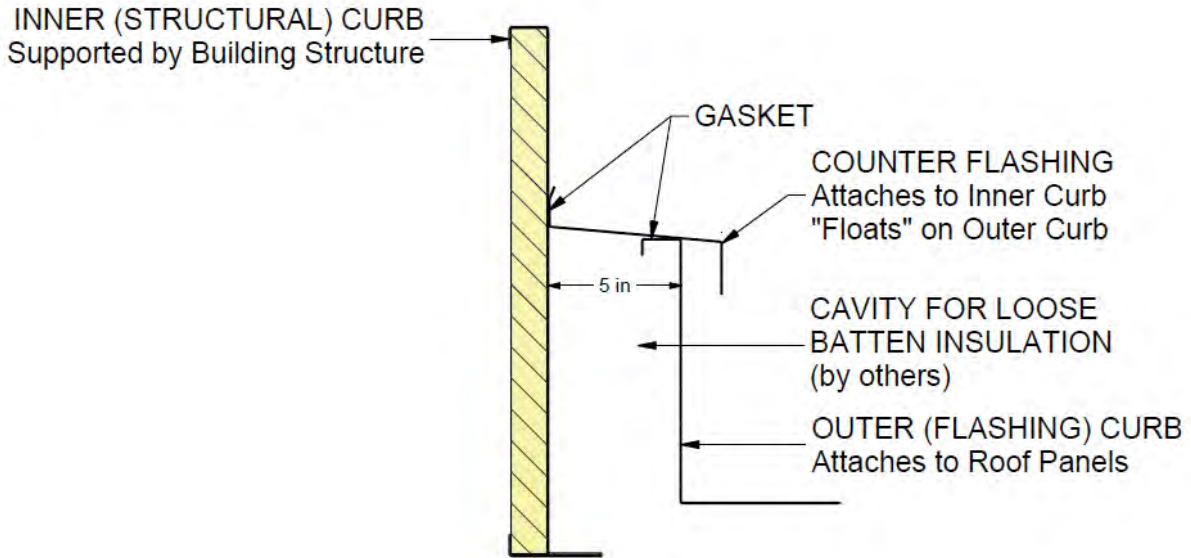
**TC-3 MBDF
Flat Base
Vertical Seam Panel**



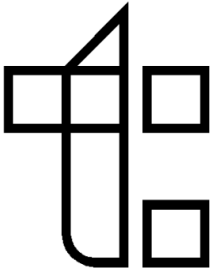
**Thybar
Corporation**

Metal Build Roof Curbs

Structural Double Curb



Structural double curbs are required to support units that weigh over 1500 lbs. For standing seam roofs with expansion clips and roofs with thermal blocks. Over 2500 lbs for screw down roofs.



**Thybar
Corporation**

Metal Build Roof Curbs

Screw Down Roof Curb Trapezoid Fixed Cell Caps Installation Instructions

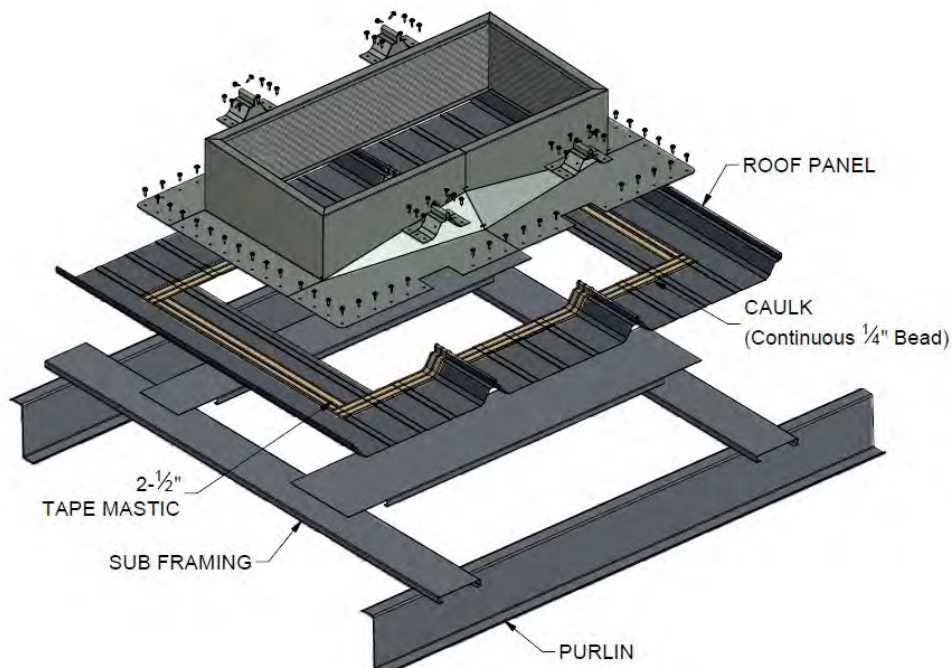


1. Measure and cut hole in roof panel.
(Opening width = curb I.D. and Opening length = I.D. + 8").
2. Mark curb flange locations on roof panel, remove curb, install 2 1/2" tape mastic 1/2" inside of mark.
3. Apply 1/4" bead of urethane caulk between tape mastic and mark at all 4 sides.
4. Place curb over opening and attach to roof with self-drill screws.
5. Finger tool to form caulking for a proper seal and drainage.
6. Do not reverse steps 4 and 5.
7. Follow instructions on back of sheet for cell caps, screws, tape mastic, and caulk.

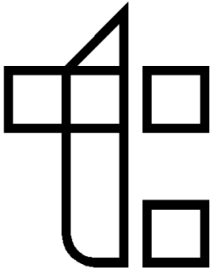
General Notes:

1. Cutting holes in roof panel should be done with an electric shear, nibbler, or reciprocating saw. The use of an abrasive saw will damage the finish of the roof panel.
2. Deburr all field cut edges at panel ribs. Cut (no not tear) tape mastic at 45° angle at corners.

Note: These instructions are meant as a general guide only. Some variations may occur, refer to as-built drawings before proceeding.



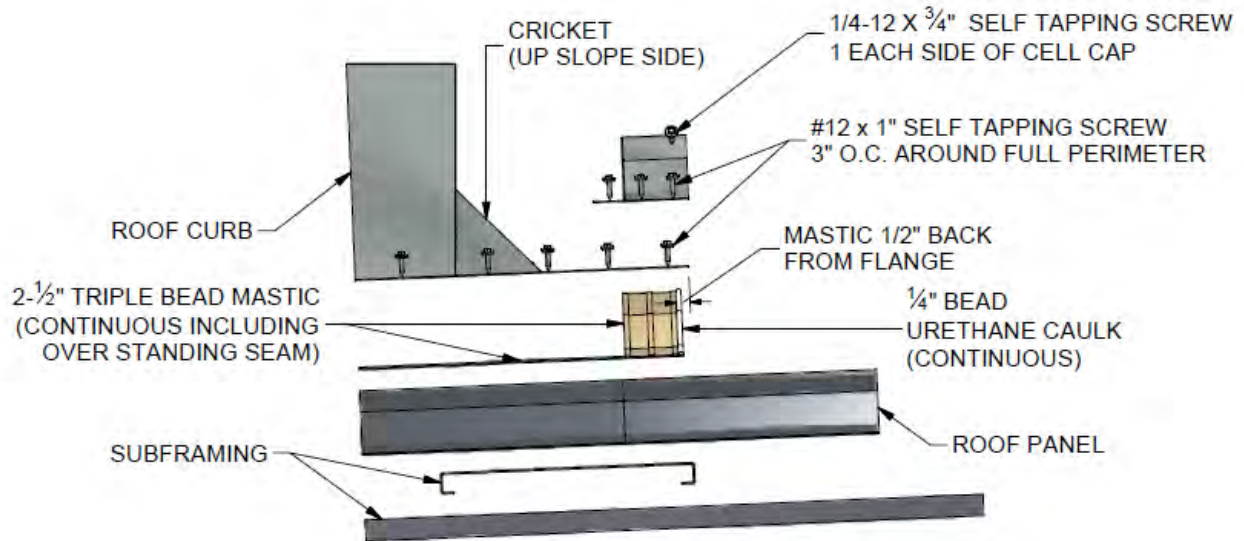
*Screws, tape mastic, caulk, and support framing by others



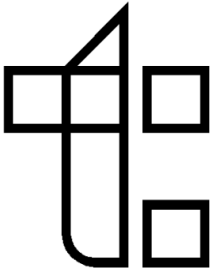
**Thybar
Corporation**

Metal Build Roof Curbs

Trapezoid Seam Fixed Cell Caps Installation Instructions



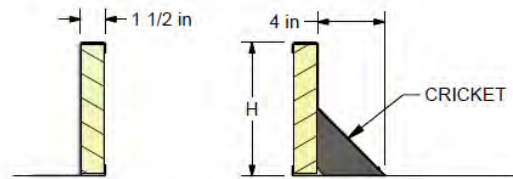
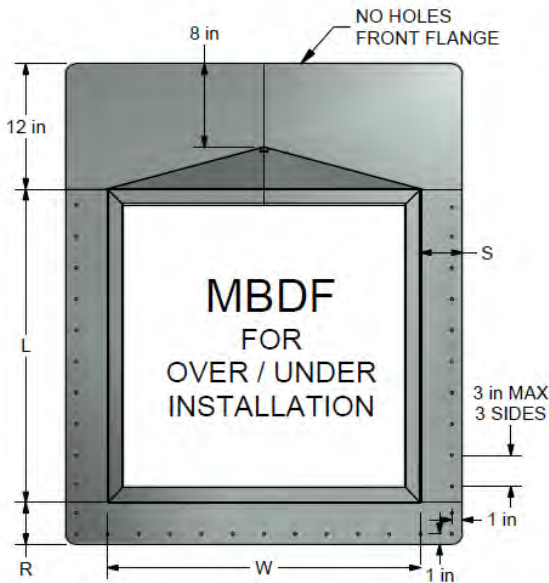
TYPICAL INSTALATION FOR
LOOSE CELL CAP, FIXED CELL CAP AND
FLAT FLANGE CURBS



Thybar Corporation

TC-3 M.B.D. Insulated Curb

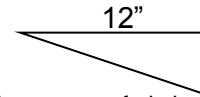
Submittal



TYPICAL SECTION

Standard Features

1. 18 gauge galvanized steel shell
2. 1 1/2" Thick, 3 lbs. rigid insulation
3. Built-In Cricket



Provide amount of pitch, direction and minimum height, if necessary.

Model	Slope	Remarks

Addison Corporate Office

913 S. Kay Avenue
Addison, IL 60101
Ph: (630) 543-5300
Fax: (630) 543-5309
800-666-CURB (2872)

Farmers Branch Office

13801 Senlac Drive
Farmers Branch, TX 75234
Ph: (972) 416-6220
Fax: (972) 418-6713
800-777-CURB (2872)

Akron Office

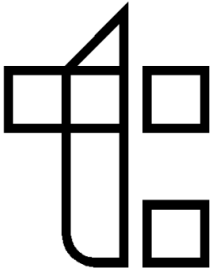
Burt Manufacturing Co.
44 E. South Street
Akron, OH 44311
Ph: (330) 762-0061
Fax: (330) 762-0914
800-837-CURB (2872)

Louisville Office

10200 Bunsen Way
Louisville, KY 40299
Ph: (502) 499-5480
Fax: (502) 499-5481
800-993-CURB (2872)

McCarran Office

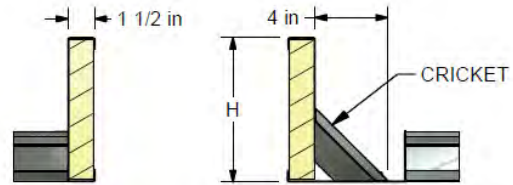
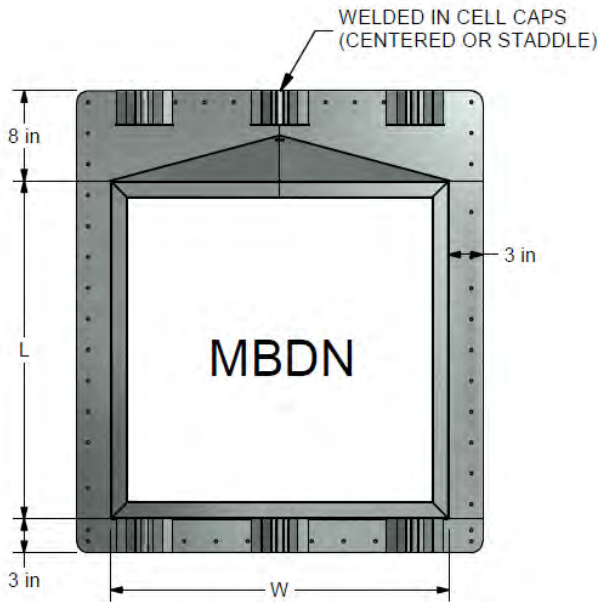
711 Denmark Drive
McCarran, NV 89434
Ph: (775) 343-0600
Fax: (775) 343-0606
866-917-CURB (2872)



Thybar Corporation

TC-3 MBDN Double Notch Insulated Curb

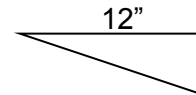
Submittal



TYPICAL SECTION

Standard Features:

1. 18 gauge galvanized steel
2. 1 1/2" 3 lbs. rigid insulation
3. Built-in Cricket
4. 1/4" holes 3" O.C.



Provide amount of pitch, direction and minimum height, if necessary.

Model	Slope	Remarks

Addison Corporate Office

913 S. Kay Avenue
Addison, IL 60101
Ph: (630) 543-5300
Fax: (630) 543-5309
800-666-CURB (2872)

Farmers Branch Office

13801 Senlac Drive
Farmers Branch, TX 75234
Ph: (972) 416-6220
Fax: (972) 418-6713
800-777-CURB (2872)

Akron Office

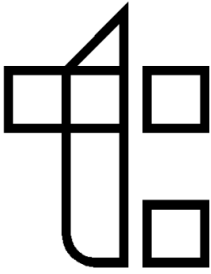
Burt Manufacturing Co.
44 E. South Street
Akron, OH 44311
Ph: (330) 762-0061
Fax: (330) 762-0914
800-837-CURB (2872)

Louisville Office

10200 Bunsen Way
Louisville, KY 40299
Ph: (502) 499-5480
Fax: (502) 499-5481
800-993-CURB (2872)

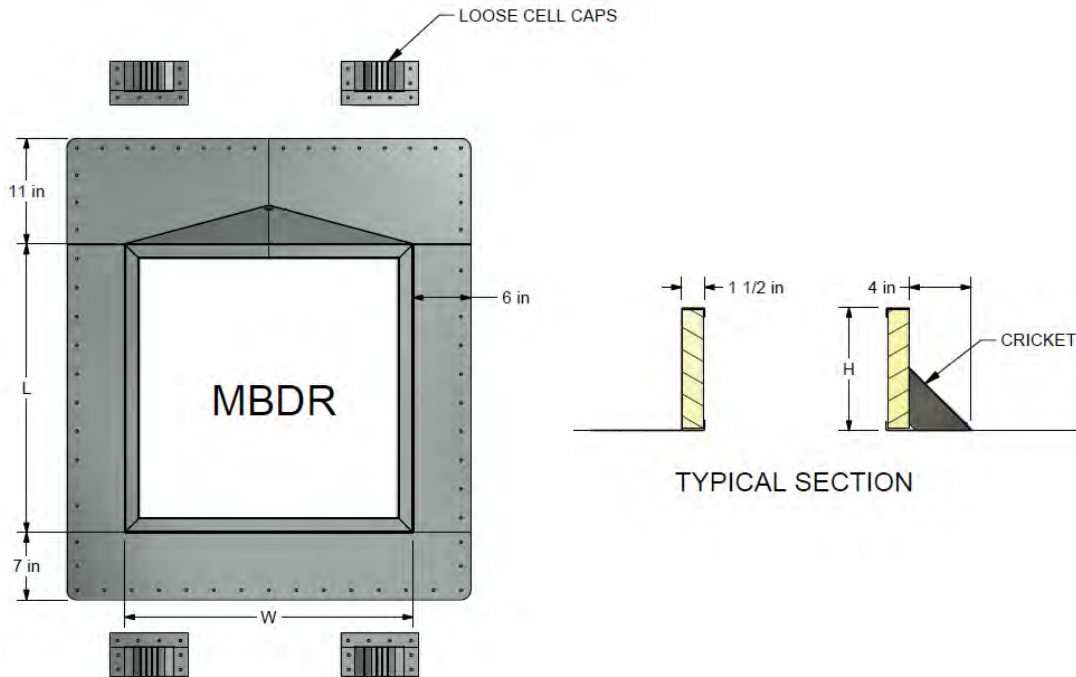
McCarran Office

711 Denmark Drive
McCarran, NV 89434
Ph: (775) 343-0600
Fax: (775) 343-0606
866-917-CURB (2872)



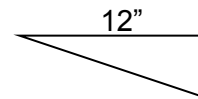
Thybar Corporation

TC-3 MBD Retro Insulated Curb



Standard Features:

1. 18 gauge galvanized steel
2. 1 1/2" Thick, 3 lbs. rigid insulation
3. Built-In Cricket
4. 1/4" Dia. Holes 3" O.C., 4 Sides



Provide amount of pitch, direction and minimum height, if necessary.

Model	Slope	Remarks

Addison Corporate Office

913 S. Kay Avenue
Addison, IL 60101
Ph: (630) 543-5300
Fax: (630) 543-5309
800-666-CURB (2872)

Farmers Branch Office

13801 Senlac Drive
Farmers Branch, TX 75234
Ph: (972) 416-6220
Fax: (972) 418-6713
800-777-CURB (2872)

Akron Office

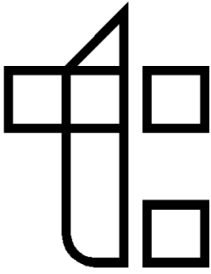
Burt Manufacturing Co.
44 E. South Street
Akron, OH 44311
Ph: (330) 762-0061
Fax: (330) 762-0914
800-837-CURB (2872)

Louisville Office

10200 Bunsen Way
Louisville, KY 40299
Ph: (502) 499-5480
Fax: (502) 499-5481
800-993-CURB (2872)

McCarran Office

711 Denmark Drive
McCarran, NV 89434
Ph: (775) 343-0600
Fax: (775) 343-0606
866-917-CURB (2872)

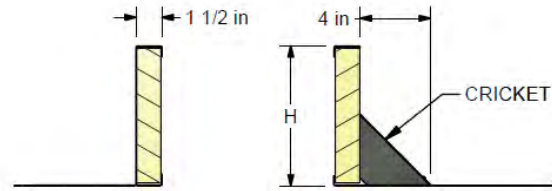
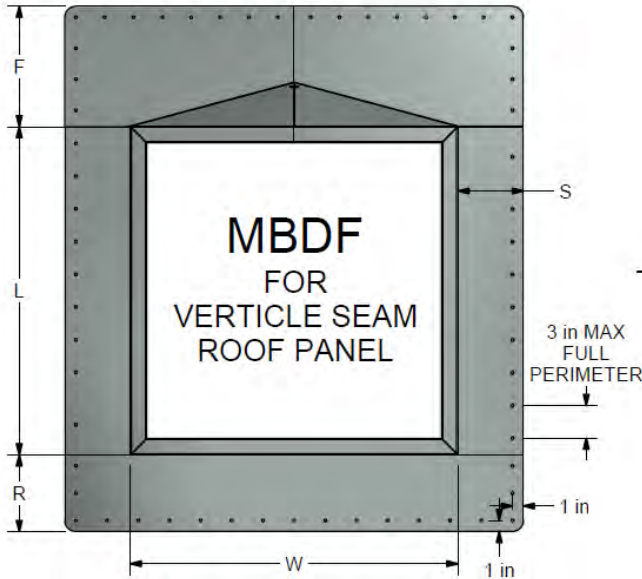


Thybar Corporation

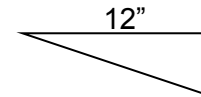
TC-3 MBD Retro Insulated Curb for Vertical Seam Metal Buildings



Submittal



TYPICAL SECTION



Provide amount of pitch, direction and minimum height, if necessary.

Standard Features:

1. 18 gauge galvanized steel
2. 1 1/2", 3 lbs. rigid insulation
3. Built-In Cricket
4. 1/4" Dia. Holes 3" O.C., 4 Sides

Model	Slope	Remarks

Addison Corporate Office

913 S. Kay Avenue
Addison, IL 60101
Ph: (630) 543-5300
Fax: (630) 543-5309
800-666-CURB (2872)

Farmers Branch Office

13801 Senlac Drive
Farmers Branch, TX 75234
Ph: (972) 416-6220
Fax: (972) 418-6713
800-777-CURB (2872)

Akron Office

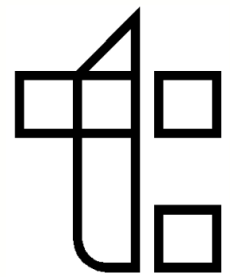
Burt Manufacturing Co.
44 E. South Street
Akron, OH 44311
Ph: (330) 762-0061
Fax: (330) 762-0914
800-837-CURB (2872)

Louisville Office

10200 Bunsen Way
Louisville, KY 40299
Ph: (502) 499-5480
Fax: (502) 499-5481
800-993-CURB (2872)

McCarran Office

711 Denmark Drive
McCarran, NV 89434
Ph: (775) 343-0600
Fax: (775) 343-0606
866-917-CURB (2872)



**Thybar
Corporation**



Vibro-Mate™



Addison Corporate Office

913 S. Kay Avenue
Addison, IL 60101
Ph: (630) 543-5300
Fax: (630) 543-5309
800-666-CURB (2872)

Farmers Branch Office

13801 Senlac Drive
Farmers Branch, TX 75234
Ph: (972) 416-6220
Fax: (972) 418-6713
800-777-CURB (2872)

Akron Office

Burt Manufacturing Co.

44 E. South Street
Akron, OH 44311
Ph: (330) 762-0061
Fax: (330) 762-0914
800-837-CURB (2872)

Louisville Office

10200 Bunsen Way
Louisville, KY 40299
Ph: (502) 499-5480
Fax: (502) 499-5481
800-993-CURB (2872)

McCarran Office

711 Denmark Drive
McCarran, NV 89434
Ph: (775) 343-0600
Fax: (775) 343-0606
866-917-CURB (2872)