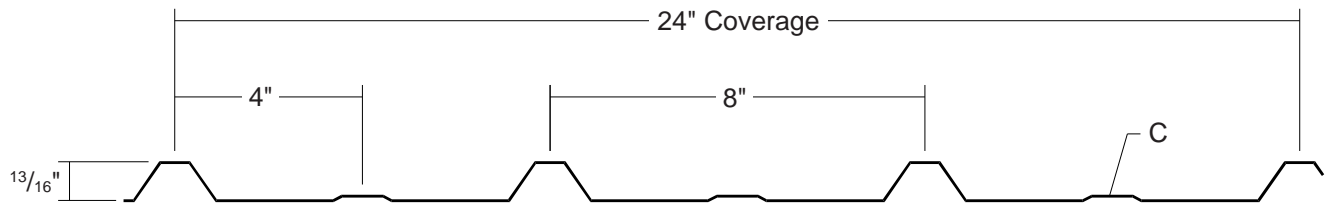


DELTA RIB



AGRICULTURAL
RESIDENTIAL
PANEL

DIRECT
FASTEN

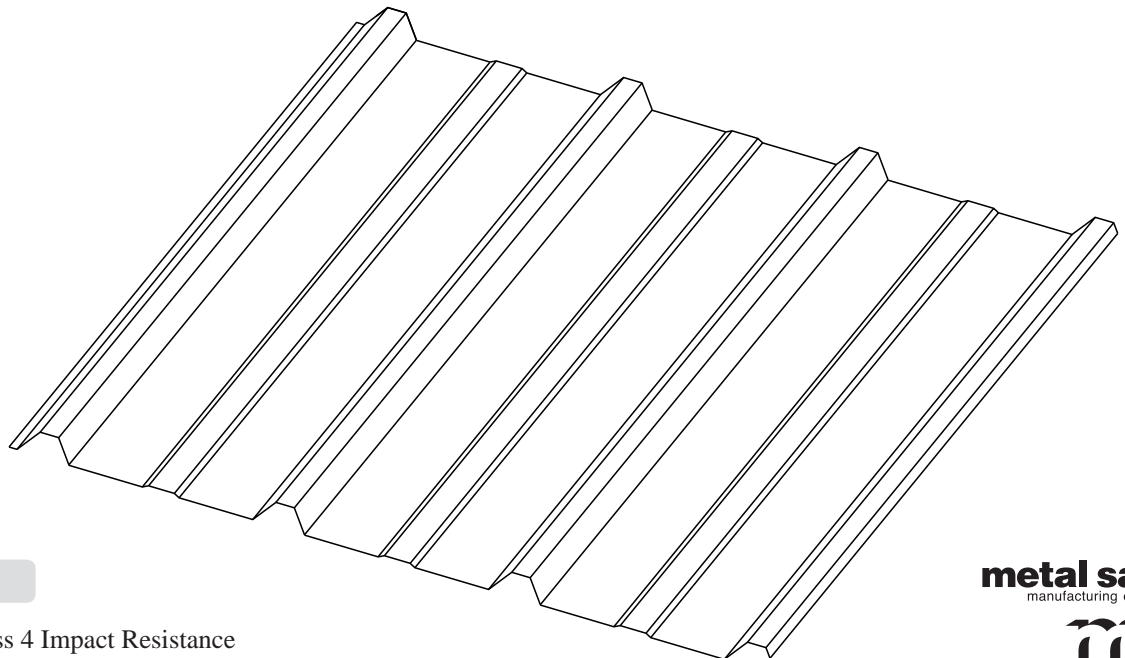
24"
COVERAGE

MINIMUM
3:12 SLOPE

OPEN FRAMING OR
SOLID SUBSTRATE

PANEL OVERVIEW

- ▶ Finishes: MS Colorfast45[®] and Acrylic Coated Galvalume[®]
- ▶ Gauge: 26ga standard and 24ga optional
- ▶ 24" panel coverage, $\frac{13}{16}$ " rib height
- ▶ Trapezoidal rib on 8" centers
- ▶ Applies to open framing or solid substrate
- ▶ Residential and Agricultural applications
- ▶ Lightweight for easy handling
- ▶ Economical and distinctive appearance



TESTING

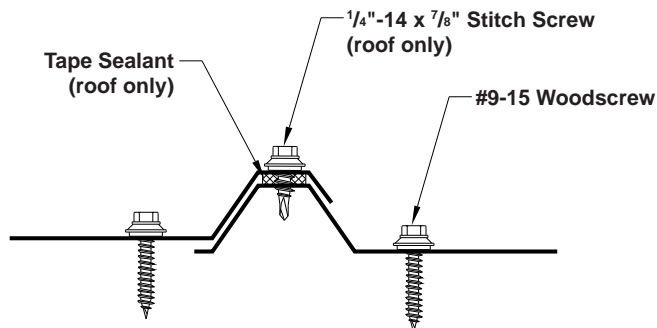
- ▶ UL-2218 Class 4 Impact Resistance
- ▶ UL-790 Class A Fire Resistance Rating

metal sales
manufacturing corporation

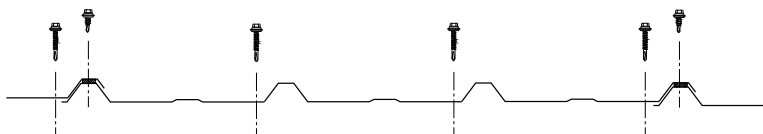


DELTA RIB

ATTACHMENT DETAIL



FASTENING PATTERN



GENERAL INFORMATION

► Slope

The minimum recommended slope for Delta Rib roofing panel is 3:12. Metal Sales recommends that in all roof applications, sealants and stitch screws be used on all sidelaps.

► Substructure

Delta Rib is designed to be utilized over open structural framing, but can easily be used with a solid substrate. To avoid panel distortion, use a properly aligned and uniform substructure.

► Coverage

Delta Rib panels are available in a ¹³/₁₆" rib height with a coverage width of 24".

► Length

Minimum factory cut length is 5'-0". Maximum recommended panel length is 40'-0". Longer panels require additional consideration in packaging, shipping, and erection. Please consult Metal Sales for recommendations.

► Fasteners

The fastener selection guide should be consulted for choosing the proper fastener for specific applications. Quantity and type of fastener must meet necessary loading and code requirements.

NOTE: All panels are subject to surface distortion due to improperly installed fasteners. Over-driven fasteners will cause stress and induce oil canning across the face of the panel at or near the point of attachment.

► Availability

Finishes: MS Colorfast45® and Acrylic Coated Galvalume®
Gauge: 26ga standard, 24ga optional

SECTION PROPERTIES

ALLOWABLE UNIFORM LIVE LOADS PSF (3 or More Equal Spans)

Ga.	Width (in.)	Yield KSI	Weight PSF	Top in Compression		Bottom in Compression		Inward (Gravity / Deflection) Load						Outward Uplift (Stress) Load					
				Ixx In ⁴ /ft	Sxx In ³ /ft	Ixx In ⁴ /ft	Sxx In ³ /ft	2'	3'	4'	5'	6'	7'	2'	3'	4'	5'	6'	7'
26	24"	60	0.80	0.0160	0.0275	0.0135	0.0280	185	85	45	23	13	8	182	84	45	23	13	8
24	24"	50	1.05	0.0230	0.0399	0.0190	0.0378	213	97	55	30	18	11	225	102	58	30	18	11

- Theoretical section properties have been calculated per AISI 2001. "Specifications for the Design of Cold-formed Steel Structural Members." Ixx and Sxx are effective section properties for deflection and bending.
- Allowable load is calculated in accordance with AISI 2001 specifications considering bending, shear, combined bending and shear and deflection. Allowable load considers the worst case of 3 and 4 equal span conditions. Allowable load does not address web crippling, fasteners/support connection, or uplift testing. Panel weight is not considered.
- Deflection consideration is limited by a maximum deflection ratio of L/180 of span.
- Allowable loads do not include a 1/3 stress increase in uplift.

metal sales
manufacturing corporation



Kent, WA (800) 431-3470
Temple, TX (800) 543-4415
Longmont, CO (800) 289-7663
Antioch, TN (800) 251-8508
Woodland, CA (800) 759-6019
Rogers, MN (800) 328-9316
Spokane, WA (800) 572-6565

Jefferson, OH (800) 321-5833
Rock Island, IL (800) 747-1206
Sellersburg, IN (800) 999-7777
Jacksonville, FL (800) 394-4419
Orwigsburg, PA (800) 544-2577
Independence, MO (800) 747-0012
Fontana, CA (800) 782-7953

Anchorage, AK (866) 640-7663
Bay City, MI (888) 777-7640
Detroit Lakes, MN (888) 594-1394
Mocksville, NC (800) 228-6119