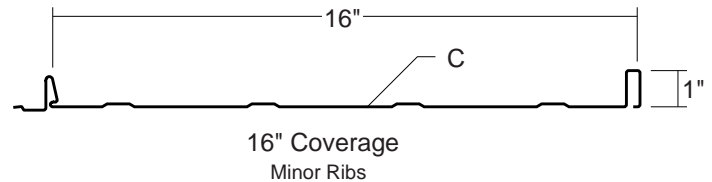
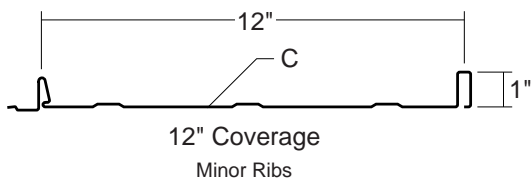
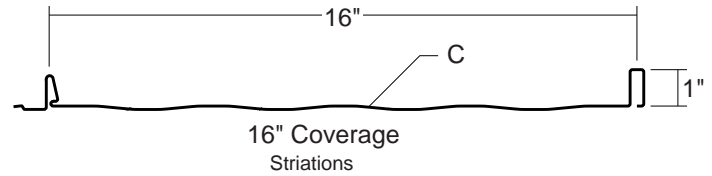
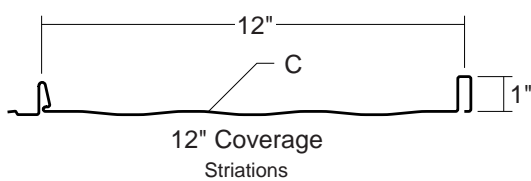


IMAGE II

CONDENSED TECHNICAL REFERENCE



ARCHITECTURAL
RESIDENTIAL
PANEL

CONCEALED
FASTENERS

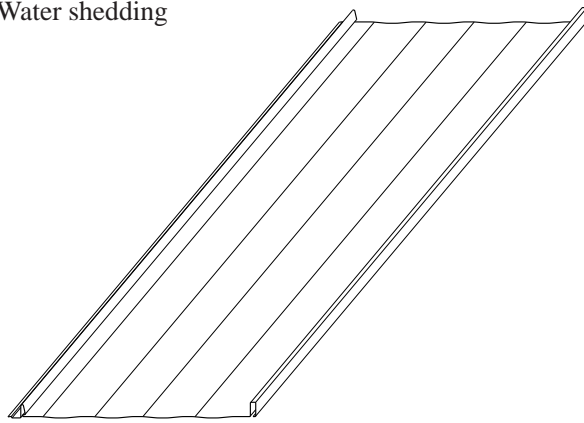
12" OR 16"
COVERAGE

MINIMUM
SLOPE
3:12

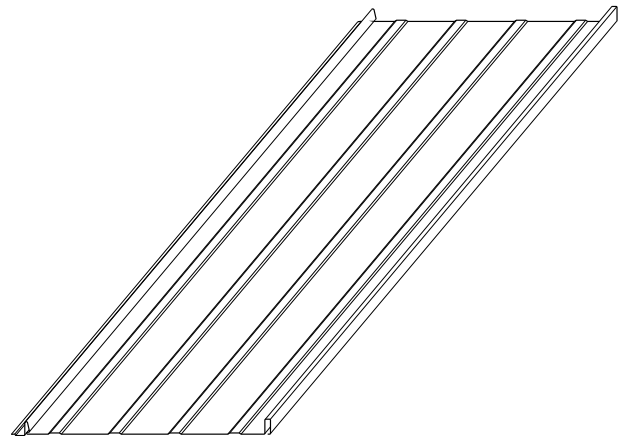
SOLID WOOD
SUBSTRATE

PANEL OVERVIEW

- ▶ Finishes: MS Colorfast45®, Kynar 500 (PVDF), and Acrylic Coated Galvalume®
- ▶ Gauge: 26ga standard
- ▶ 12" or 16" panel coverage, 1" rib height
- ▶ Architectural concealed direct fasten integral standing rib roof panel
- ▶ Applies over plywood substrate with 30 pound felt underlayment
- ▶ Minimum roof slope: 3:12
- ▶ Water shedding



With Striations



With Minor Ribs

TESTING

- ▶ Rated ASTM E-1592
- ▶ UL 2218, Class 4 Impact Resistance
- ▶ UL 790, Class A Fire Resistance Rating
- ▶ Miami-Dade Approved 08-0229.12 (80 ksi only)
- ▶ Florida Building Code Approved 9107.3, 10916.4 (80 ksi only)
- ▶ UL-580 Class 90 Uplift - Construction #529 over 5/8" Plywood
- ▶ Texas Windstrom Evaluation R-162

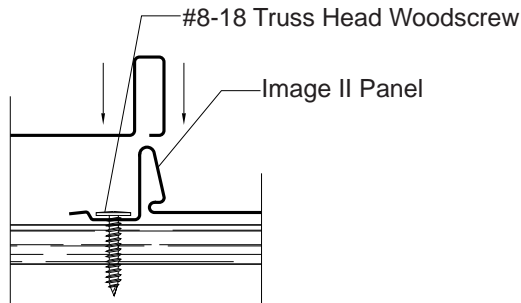
metal sales
manufacturing corporation



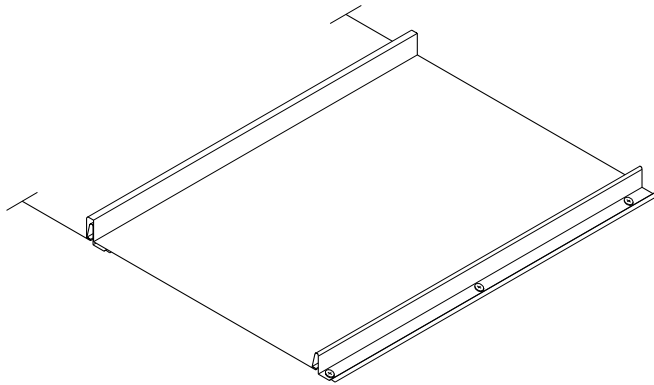
IMAGE II

CONDENSED TECHNICAL REFERENCE

ATTACHMENT DETAIL



FASTENING PATTERN



GENERAL INFORMATION

► Slope

The minimum recommended slope for the Image II roof panel is 3:12.

► Substructure

Image II is designed to be utilized over a solid substrate. To avoid panel distortion use a properly aligned and uniform substructure.

NOTE: Image II roof panels are not recommended for use over open structural framing.

► Coverage

Image II panels are available in a 1" seam height with a 12" or 16" width coverage.

► Length

Minimum factory cut length is 5'-0". Maximum recommended panel length is 30'-0". Longer panels require additional consideration in packaging, shipping, and erection. Please consult Metal Sales for recommendations.

► Fasteners

The fastener selection guide should be consulted for choosing the proper fastener for specific applications. Quantity and type of fastener must meet necessary loading and code requirements.

NOTE: All panels are subject to surface distortion due to improperly applied fasteners. Overdriven fasteners will cause stress and induce oil canning across the face of the panel at or near the point of attachment.

► Availability

Finishes: Acrylic Coated Galvalume®, MS Colorfast45®, or various Kynar 500 (PVDF) colors.

Gauge: 26ga standard

SECTION PROPERTIES

ALLOWABLE UNIFORM LIVE LOADS PSF (3 or More Equal Spans)

Ga.	Width (in.)	Yield KSI	Weight PSF	Top in Compression		Bottom in Compression		Outward Uplift (Stress) Load					
				I _{xx} In ⁴ /ft	S _{xx} In ³ /ft	I _{xx} In ⁴ /ft	S _{xx} In ³ /ft	0'-6"	1'-0"	1'-3"	1'-6"	1'-9"	2'-0"
26	16"	80	0.90	0.0157	0.0168	0.0163	0.0175	86	71	64	56	46	42

- Theoretical section properties have been calculated per AISI 2001 "Specification for the Design of Cold-formed Steel Structural Members." I_{xx} and S_{xx} are effective section properties for deflection and bending.
- Allowable load is calculated in accordance with AISI 2001 specifications considering bending, shear, combined bending and shear, deflection testing, fastener pullout from 5/8" plywood, and pullover. Allowable load considers the worst case of 3 and 4 equal span conditions. Allowable load does not address web crippling. Panel weight is not considered.
- Deflection consideration is limited by a maximum deflection ratio of L/180 of span.
- Allowable loads do not include a 1/3 stress increase in uplift.

metal sales
manufacturing corporation



Kent, WA (800) 431-3470
Temple, TX (800) 543-4415
Longmont, CO (800) 289-7663
Antioch, TN (800) 251-8508
Woodland, CA (800) 759-6019
Rogers, MN (800) 328-9316
Spokane, WA (800) 572-6565

Jefferson, OH (800) 321-5833
Rock Island, IL (800) 747-1206
Sellersburg, IN (800) 999-7777
Jacksonville, FL (800) 394-4419
Orwigsburg, PA (800) 544-2577
Independence, MO (800) 747-0012
Fontana, CA (800) 782-7953

Anchorage, AK (866) 640-7663
Bay City, MI (888) 777-7640
Detroit Lakes, MN (888) 594-1394
Mocksville, NC (800) 228-6119

©MS1280IM/12-2008