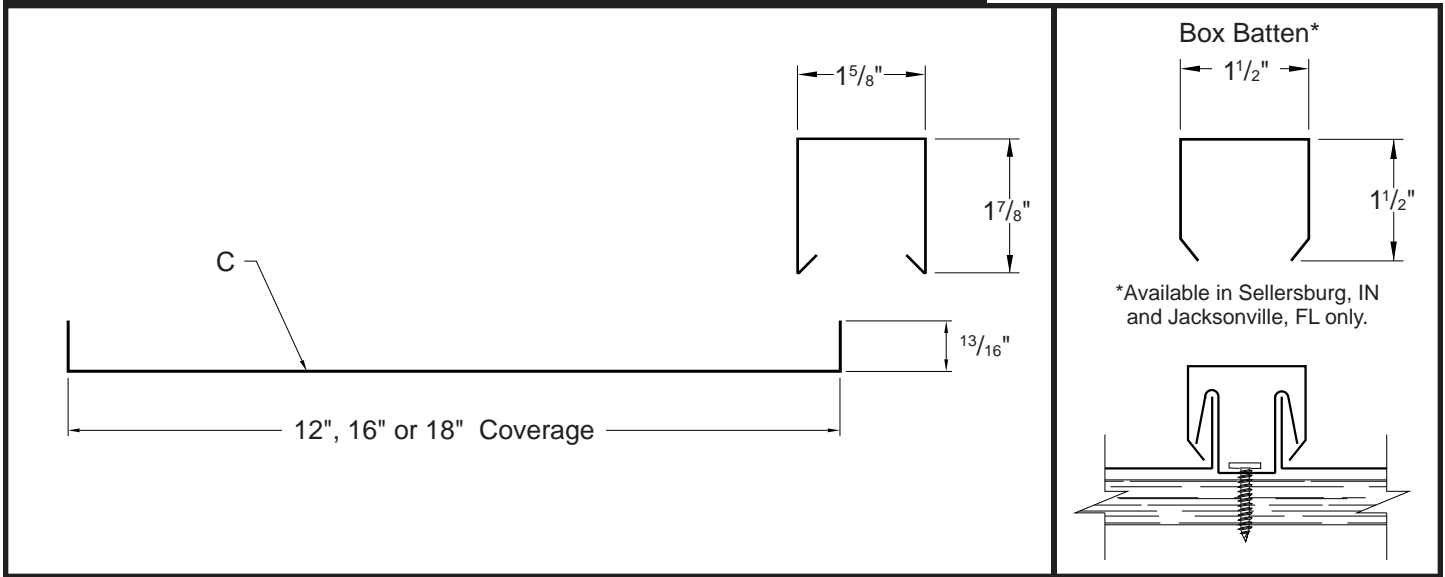


MAXI-BATTEN



ARCHITECTURAL
PANEL

CONCEALED
FASTENERS

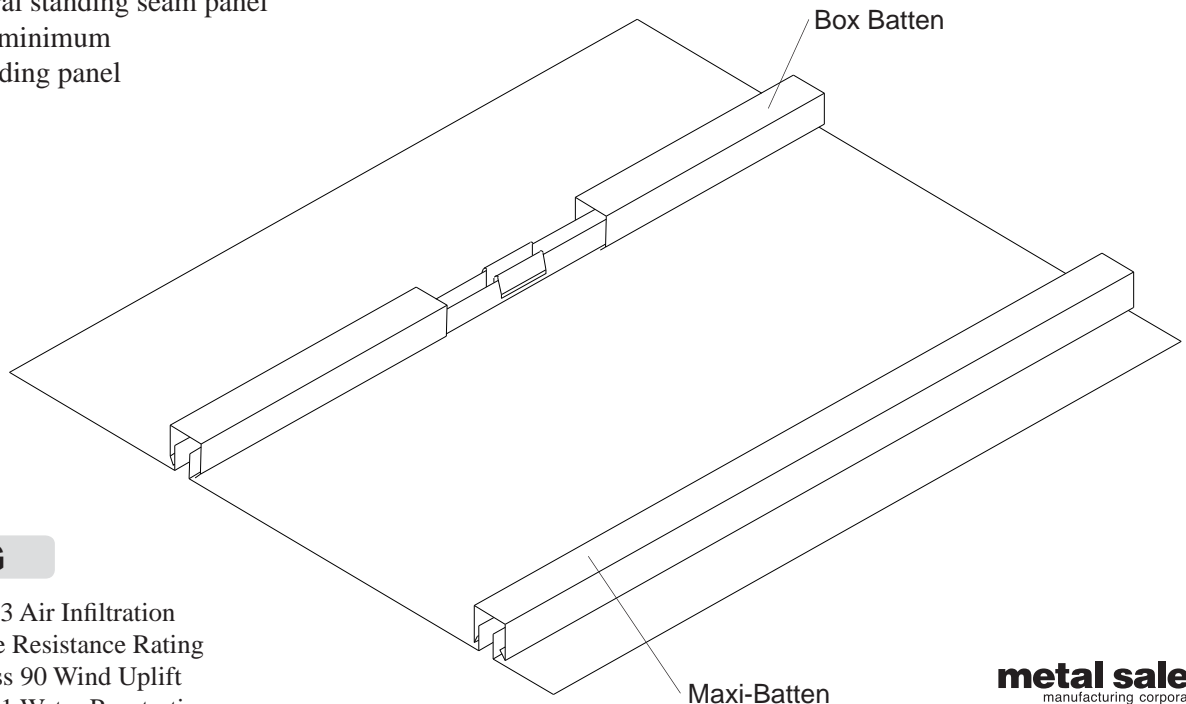
12", 16", OR 18"
COVERAGE

MINIMUM
3:12 SLOPE

SOLID WOOD
SUBSTRATE

PANEL OVERVIEW

- ▶ Finishes: Kynar 500 (PVDF), MS Colorfast45®, and Acrylic Coated Galvalume®
- ▶ Gauges: 26ga and 24ga standard, 22ga optional
- ▶ 12", 16", or 18" panel coverage, 1 7/8" x 1 5/8" Maxi-Batten cap
- ▶ Concealed clip designed to accommodate thermal movement
- ▶ Applies over plywood substrate with 30 pound felt underlayment
- ▶ Architectural standing seam panel
- ▶ 3:12 slope minimum
- ▶ Water shedding panel

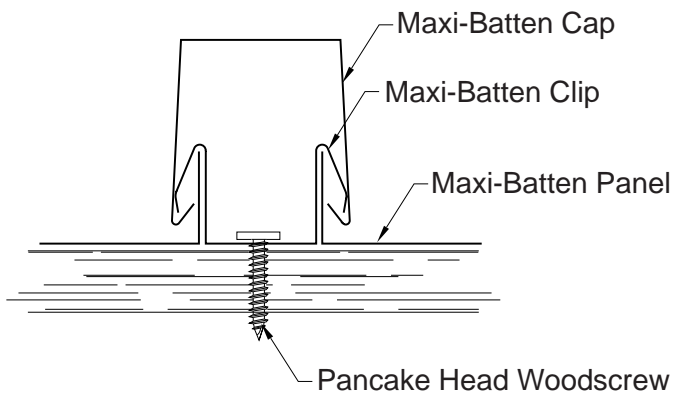


TESTING

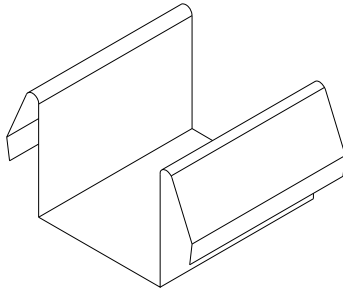
- ▶ ASTM E-283 Air Infiltration
- ▶ UL 263, Fire Resistance Rating
- ▶ UL 580 Class 90 Wind Uplift
- ▶ ASTM E-331 Water Penetration
- ▶ UL 2218, Class 4 Impact Resistance
- ▶ UL 790, Class A Fire Resistance Rating

MAXI-BATTEN

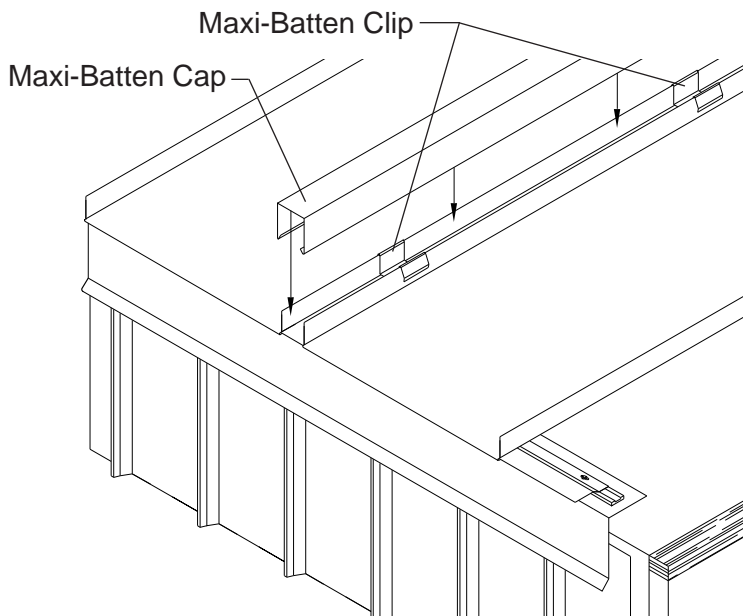
ATTACHMENT DETAIL



PANEL CLIP



BASIC INSTALLATION



GENERAL INFORMATION

► Slope

The minimum recommended slope for Maxi-Batten roofing panel is 3:12.

► Substructure

The recommended substrate is $\frac{5}{8}$ " plywood with a 30 pound felt moisture barrier. To avoid panel distortion use a properly aligned and uniform substructure.

NOTE: Maxi-Batten roof panels are not recommended for use over open structural framing.

► Coverage

Maxi-Batten panels are available in 12", 16", and 18" widths with a $1\frac{7}{8}$ " Batten height.

Box-Batten panels are available in 12", 16", and 18" widths with a $1\frac{1}{2}$ " Batten height.

► Length

Minimum factory cut length is 5'-0". Maximum recommended panel length is 45'-0". Longer panels require additional consideration in packaging, shipping, and erection. Please consult Metal Sales for recommendations.

► Fasteners

The fastener selection guide should be consulted for choosing the proper fastener for specific applications. Quantity and type of fastener must meet necessary loading and code requirements.

NOTE: All panels are subject to surface distortion due to improperly applied fasteners. Overdriven fasteners will cause stress and induce oil canning across the face of the panel at or near the point of attachment.

► Availability

Finishes: Acrylic Coated Galvalume®, MS Colorfast45®, or various Kynar 500 (PVDF) colors.

Gauges: 26ga, 24ga standard, and 22ga optional

► Oil Canning

Oil canning is not a cause for rejection. Heavier gauges and narrower widths minimize oil canning.

► Loading Information

Maxi-Batten must be installed over solid substrate. Panel attachment to substrate at fixed locations must be checked for drag loads.

metal sales
manufacturing corporation



Kent, WA (800) 431-3470
Temple, TX (800) 543-4415
Longmont, CO (800) 289-7663
Antioch, TN (800) 251-8508
Woodland, CA (800) 759-6019
Rogers, MN (800) 328-9316
Spokane, WA (800) 572-6565

Jefferson, OH (800) 321-5833
Rock Island, IL (800) 747-1206
Sellersburg, IN (800) 999-7777
Jacksonville, FL (800) 394-4419
Orwigsburg, PA (800) 544-2577
Independence, MO (800) 747-0012
Fontana, CA (800) 782-7953

Anchorage, AK (866) 640-7663
Bay City, MI (888) 777-7640
Detroit Lakes, MN (888) 594-1394
Mocksville, NC (800) 228-6119

©MS1280MXB/11-2006