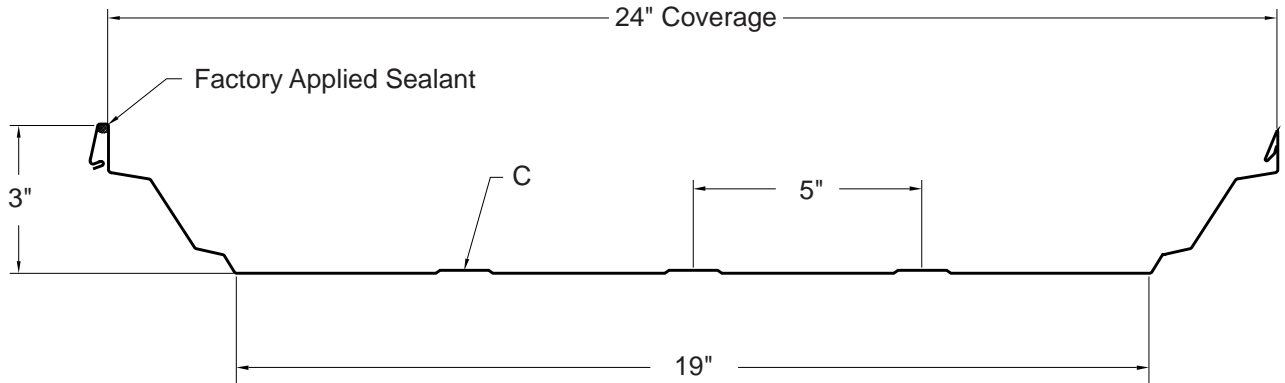


SNAP-LOC 24



COMMERCIAL
INDUSTRIAL
PANEL

CONCEALED
FASTENERS

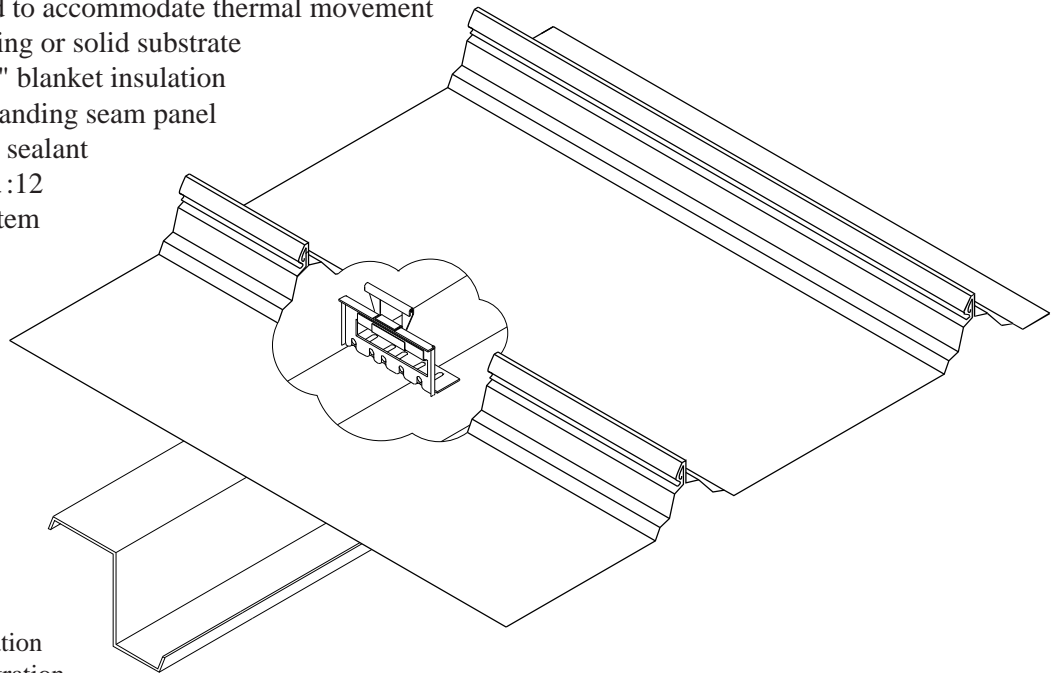
24"
COVERAGE

MINIMUM
1/4:12 SLOPE

OPEN FRAMING OR
SOLID SUBSTRATE

PANEL OVERVIEW

- ▶ Finishes: Kynar 500 (PVDF) and Acrylic Coated Galvalume®
- ▶ Gauges: 24ga standard, 22ga optional
- ▶ 24" panel coverage, 3" rib height
- ▶ Panels can be factory notched and punched
- ▶ Concealed clip designed to accommodate thermal movement
- ▶ Applies over open framing or solid substrate
- ▶ Accommodates 1/2" to 6" blanket insulation
- ▶ Structural trapezoidal standing seam panel
- ▶ Factory applied side lap sealant
- ▶ Minimum roof slope: 1/4:12
- ▶ Snap together panel system



TESTING

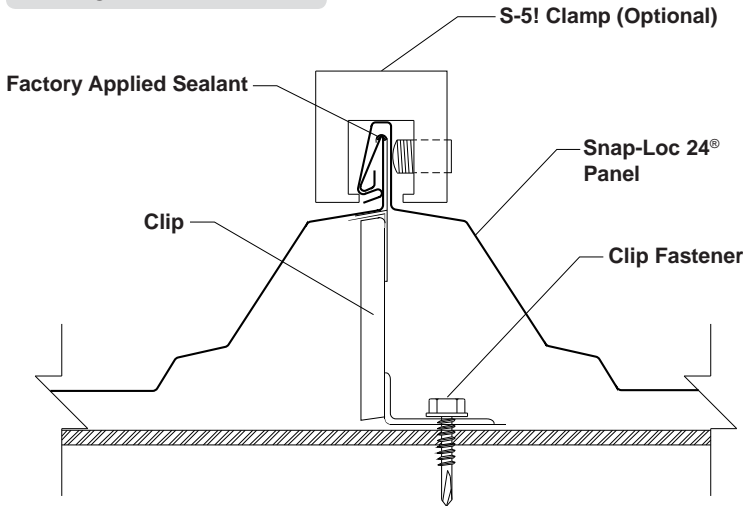
- ▶ ASTM E-1680 Air Penetration
- ▶ ASTM E-1646 Water Infiltration
- ▶ Florida Building Code Approved 7415.1
- ▶ UL-580 Class 90 Uplift, Construction number 240
- ▶ ASTM E-330, Uniform Static Air Pressure Difference
- ▶ CECS-07416 US Army Corps of Engineers Rated-ASTM E-1592

metal sales
manufacturing corporation

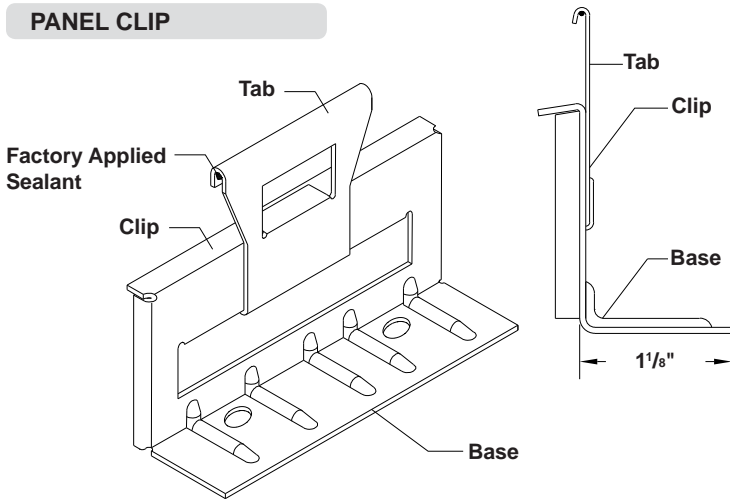


SNAP-LOC 24

ATTACHMENT DETAIL



PANEL CLIP



GENERAL INFORMATION

► Slope

The minimum recommended slope for the Snap-Loc 24® roof panel is 1/4:12.

► Substructure

Snap-Loc 24® is designed to be utilized over open structural framing or a solid substrate.

► Clips

Clip spacing is based upon the spacing of structural framing members and loading requirements.

► Coverage

Snap-Loc 24® panels are available in a 3" seam height with a 24" width coverage.

► Length

Minimum factory cut length is 5'-0". Maximum recommended panel length is 45'-0". Longer panels require additional consideration in packaging, shipping, and erection. Please consult Metal Sales for recommendations.

► Fasteners

The fastener selection guide should be consulted for choosing the proper fastener for specific applications. Quantity and type of fastener must meet necessary loading and code requirements.

NOTE: All panels are subject to surface distortion due to improperly applied fasteners. Overdriven fasteners will cause stress and induce oil canning across the face of the panel at or near the point of attachment.

► Availability

Finishes: Acrylic Coated Galvalume® or various Kynar 500 (PVDF) colors.

Gauges: 24ga and 22ga

SECTION PROPERTIES

ALLOWABLE UNIFORM LIVE LOADS PSF (3 or More Equal Spans)

Ga.	Width (in.)	Yield KSI	Weight PSF	Top in Compression				Bottom in Compression				Inward (Gravity / Deflection) Load						Outward Uplift (Stress) Load					
				lxx In ⁴ /ft		Sxx In ³ /ft		lxx In ⁴ /ft		Sxx In ³ /ft		2.5'		3'		3.5'		4'		4.5'		5'	
				2.5'	3'	3.5'	4'	4.5'	5'	2.5'	3'	3.5'	4'	4.5'	5'								
24	24"	50	1.14	0.3070	0.1271	0.1250	0.0819	196	150	118	96	79	66	26	25	23	21	20	18				
22	24"	50	1.49	0.4045	0.1673	0.1740	0.1113	275	210	165	133	109	90	33	31	28	26	24	22				
24*	24"	50	1.14	0.3070	0.1271	0.1250	0.0819	196	150	118	96	79	66	97	86	76	65	55	44				

- Theoretical section properties have been calculated per AISI 2001 "Specification for the Design of Cold-formed Steel Structural Members." Ixx and Sxx are effective section properties for deflection and bending.
- Allowable load is calculated in accordance with AISI 2001 specifications considering bending, shear, combined bending and shear, deflection, and ASTM 1592 testing. Allowable load considers the worst case of 3 and 4 equal span conditions. Allowable load does not address web crippling or fasteners/support connection and panel weight is not considered.
- Deflection consideration is limited by a maximum deflection ratio of L/180 of span.
- Allowable loads do not include a 1/3 stress increase in uplift.

* Loads determined using the S-5! Clamp.



Kent, WA (800) 431-3470
 Temple, TX (800) 543-4415
 Longmont, CO (800) 289-7663
 Antioch, TN (800) 251-8508
 Woodland, CA (800) 759-6019
 Rogers, MN (800) 328-9316
 Spokane, WA (800) 572-6565

Jefferson, OH (800) 321-5833
 Rock Island, IL (800) 747-1206
 Sellersburg, IN (800) 999-7777
 Jacksonville, FL (800) 394-4419
 Orwigsburg, PA (800) 544-2577
 Independence, MO (800) 747-0012
 Fontana, CA (800) 782-7953

Anchorage, AK (866) 640-7663
 Bay City, MI (888) 777-7640
 Detroit Lakes, MN (888) 594-1394
 Mocksville, NC (800) 228-6119