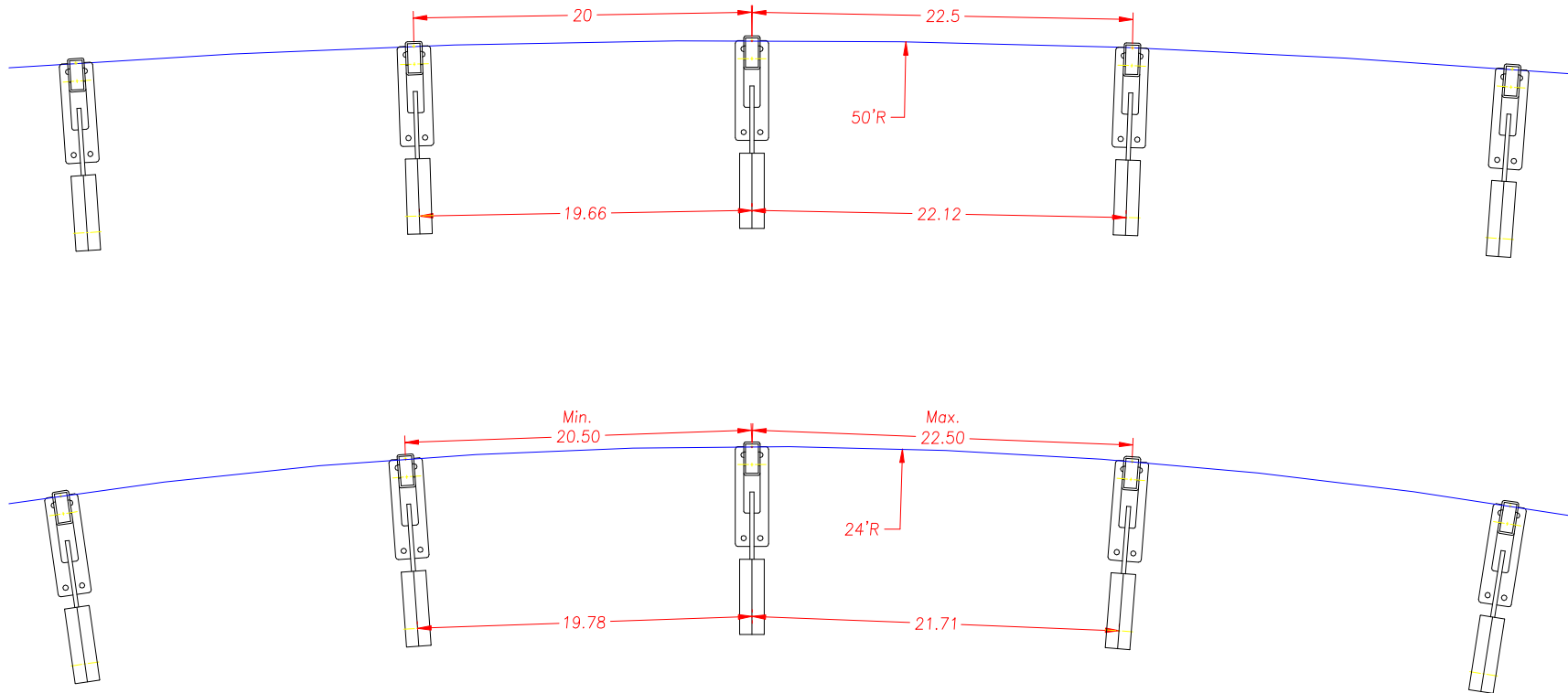


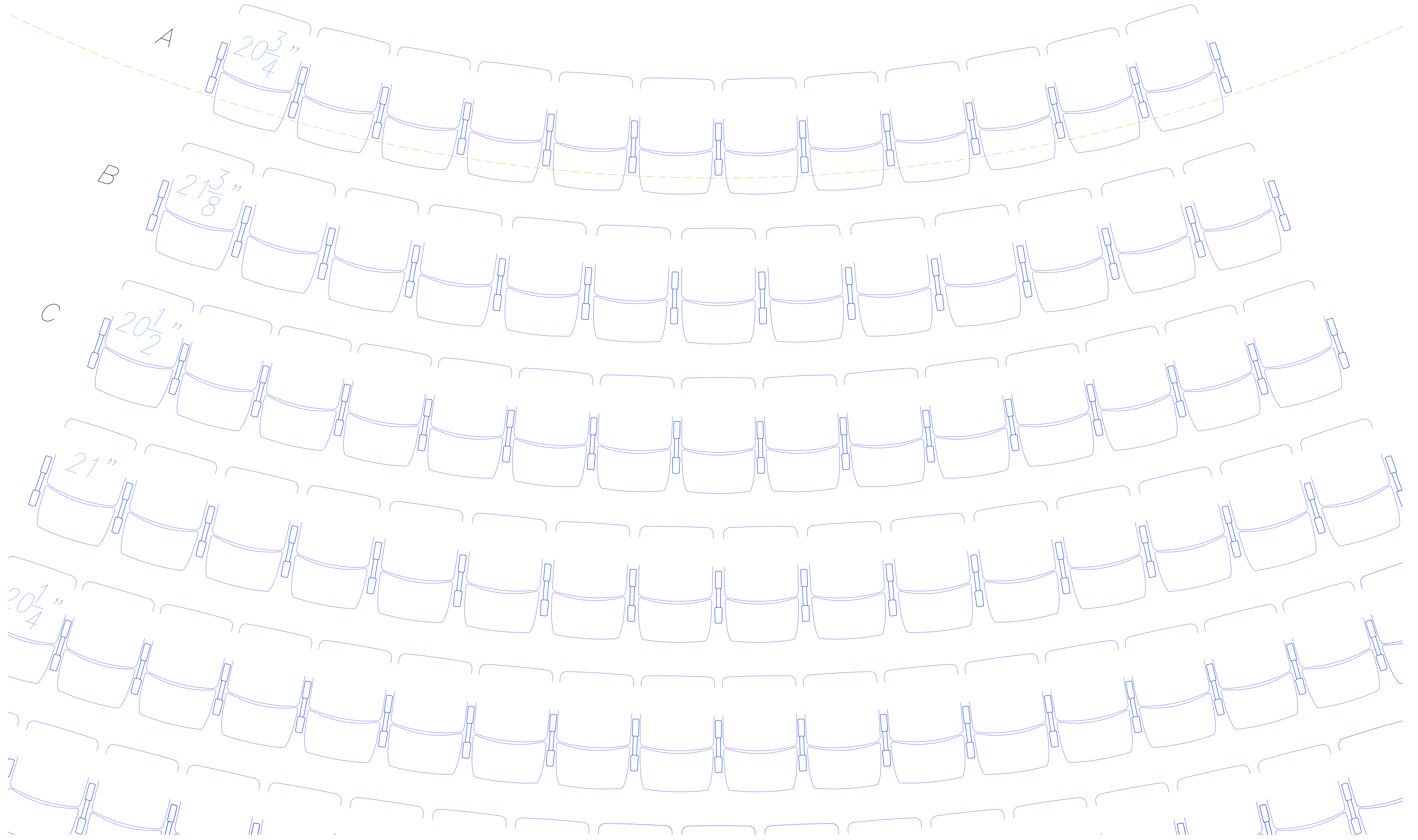
CLARITY™ Auditorium Seating – Standards Spacing

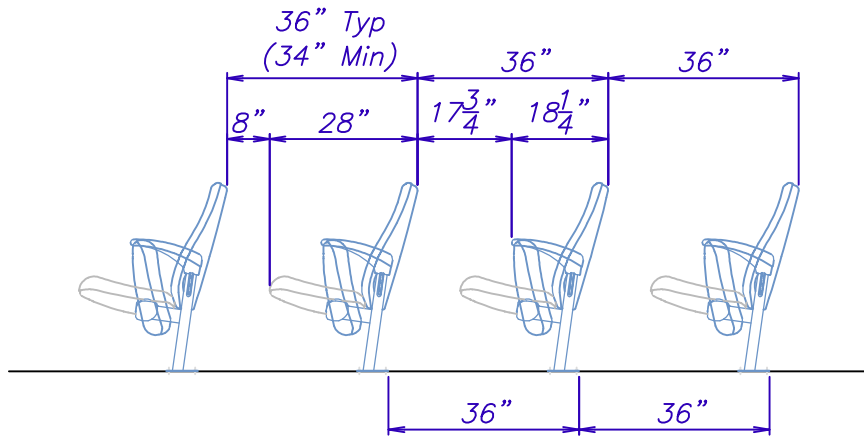
Spacing of Clarity standards for radius and straight rows:

- Layout radius is calculated at the back edge of the footplate.
- Standard spacing is determined at the layout line at the back of the footplate.
- The minimum radius for Clarity is 24'.
- For a radius from 24' up to 50' the minimum Standard spacing is 20-1/2". (with upholstered arms, the minimum spacing is 21")
- For a radius of 50' or greater, the minimum Standard spacing is 20". (with upholstered arms, the minimum spacing is 20-1/2")
- For straight rows, the minimum Standard spacing is 19-1/2". (with upholstered arms, the minimum spacing is 20")
- The maximum spacing for any radius or straight row is 22-1/2"

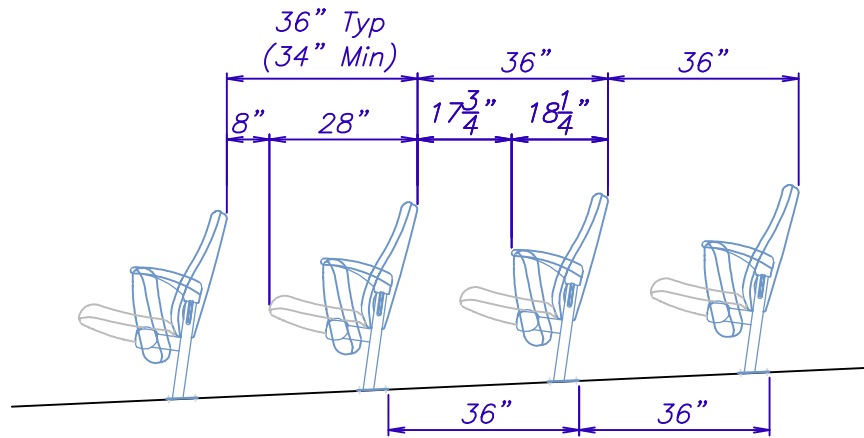


SECTION 102

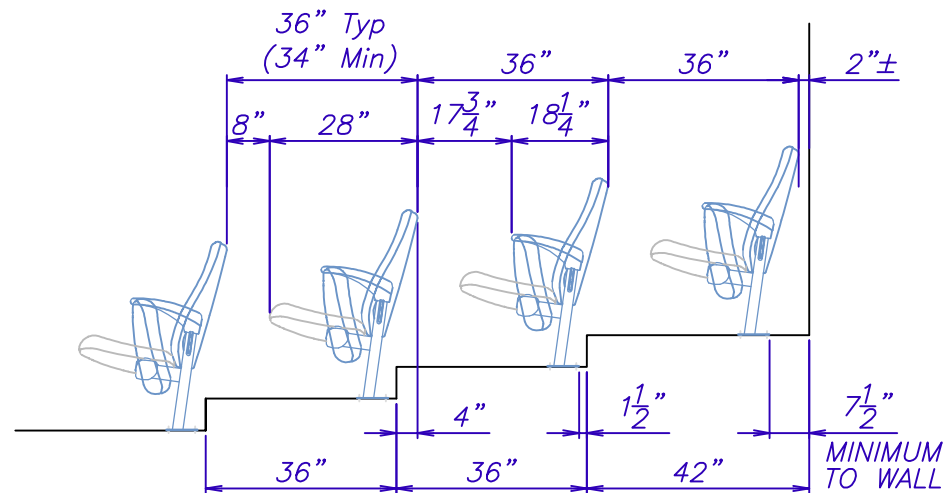




Section on Level Floor



Section on Slope Floor



Section on Risers

SAUDER®

| In. of rise per ft. of run | Slope in Degrees |
|----------------------------|------------------|
|----------------------------|------------------|

CLARITY™ Auditorium Seating Floor Slope Information

0 through 1/4" pitch = 0 degree standard
>1/4" through 11/16" = 2 1/2 degree standard
>11/16 = 5 Degree standard

| | | |
|---------|-----|---------|
| 1/16 | 0.3 | 0 Deg |
| 7/64 | 0.5 | |
| 1/8 | 0.6 | |
| 3/16 | 0.9 | |
| 13/64 | 1.0 | 2.5 Deg |
| 1/4 | 1.2 | |
| 5/16 | 1.5 | |
| 3/8 | 1.8 | |
| 27/64 | 2.0 | |
| 7/16 | 2.1 | |
| 1/2 | 2.4 | |
| 17/32 | 2.5 | |
| 9/16 | 2.7 | |
| 5/8 | 3.0 | |
| 11/16 | 3.3 | 5 Deg |
| 47/64 | 3.5 | |
| 3/4 | 3.6 | |
| 13/16 | 3.9 | |
| 27/32 | 4.0 | |
| 7/8 | 4.2 | |
| 15/16 | 4.5 | |
| 1 | 4.8 | |
| 1 3/64 | 5.0 | |
| 1 1/16 | 5.1 | |
| 1 1/8 | 5.4 | |
| 1 5/32 | 5.5 | |
| 1 3/16 | 5.7 | |
| 1 17/64 | 6.0 | |
| 1 5/16 | 6.2 | |
| 1 3/8 | 6.5 | |
| 1 7/16 | 6.8 | |
| 1 15/32 | 7.0 | |
| 1 1/2 | 7.1 | |
| 1 9/16 | 7.4 | |
| 1 37/64 | 7.5 | |
| 1 5/8 | 7.7 | |
| 1 11/16 | 8.0 | |
| 1 3/4 | 8.3 | |
| 1 51/64 | 8.5 | |
| 1 13/16 | 8.6 | |
| 1 7/8 | 8.9 | |
| 1 29/32 | 9.0 | |
| 1 15/16 | 9.2 | |
| 2 | 9.5 | |