

Norton®

ASSA ABLOY

5900 Series X-in™

Low Energy Power Operator



ASSA ABLOY, the global leader
in door opening solutions

INTRODUCTION

The Norton 5900 Series X-in™ is a full-featured, extremely quiet, low energy door operator designed for moderate to high traffic doors. This cost-effective operator is available for either push- or pull-side mounting and is ideal for any application designed to meet the Americans with Disabilities Act (A.D.A).

X-in is simple to install and set up. "One touch" programming combined with the operators built-in ability to calibrate door mass, offers our customers a smart, dependable solution. Power Assist, Obstruction Detection, Motor Start Delay and Stop on Stall are just a few features that set this electromechanical operator apart from the competition.

Recommended applications: senior housing/assisted living facilities, hospitals, office buildings, colleges or universities, places of worship, convention centers, etc.



FEATURES

- Ease of installation and setup
 - Simple instructions
 - "One touch" programming
- Application versatility and ease of adjustment
 - Non-handed units
 - Push- or pull-side mounting
 - Interfaces with electric hardware
 - Integrates with access control system
- Operation startup options
 - Wall switches
 - Motion sensor
 - Radio frequency device
 - Push and Go
- Presence Detector input
- 110° maximum door swing
- 200 lb. maximum door weight
- 48" (122cm) maximum door width
- Sync cable for double doors; synchronizes closing of two operators

TABLE OF CONTENTS

Functions, Electrical Data, Certifications, Specifications 3

Standard Applications 4

How to Order 4

Operational Signs 5

Accessories 5-7

Parts List 7


FUNCTIONS

- Power Assist
 - When unit is activated, it allows the door to be opened manually with a force less than 5 lbs.
- Push and Go (selectable)
 - As the door is manually opened, the operator “senses” movement and opens door to the full-open position.
- Obstruction Detection
 - Open
 - Door closes if it hits an obstruction while opening
 - Close (Stop on Stall)
 - Door will stop once it hits an obstruction and rest against the obstruction until obstruction is removed
- Motor Startup Delay
 - Delays operator opening
- Infinite Hold Open
 - Door will hold open at set position until power is turned off
- Power Latch (selectable)
 - Increases latch power
- Selector mode switch (3 position)
 - Off - Disables signal inputs
 - On - Activates signal inputs
 - Hold Open - Activates the unit to the hold open position

ELECTRICAL DATA

- Power input 120 VAC, 60 Hz (+10%, -15%)
- Current draw .75A
- 12VDC @ .5A output, 24VDC @ .25A output, 24VDC @ .4A output

CERTIFICATIONS

- UL325 certified
- UL10c certified
- 2-year warranty (refer to current price list, terms and conditions)
- Americans with Disabilities Act (ADA)
- ANSI/BHMA A156.19 certified 

SPECIFICATIONS

Door Control (interior) (exterior) closing force shall be adjustable to ensure adequate closing control. Door Operator shall simulate conventional door closer opening and closing forces unless the power operator motor is activated. Door Operator shall have electronic backcheck to cushion the door speed if door is opened violently. [(Door Operator shall be AUTOMATICALLY ACTIVATED by either a slight push or pull in the direction of opening swing - Push and Go.) (Door Operator shall be SELECTIVELY ACTIVATED by external initiating device, i.e. wall switch, etc.) (Door Operator shall be both AUTOMATICALLY ACTIVATED and SELECTIVELY ACTIVATED.)] Unit shall have delay switches for motor activation, electric lock interfacing, and hold open time. Units shall interface with latch retraction exit devices or similar products and have 12VDC @ .5A, 24VDC @ .25A, 24VDC @ .4A output for connection of electric strike, lock, radio frequency receiver, etc. Unit shall have a three-position Selector Mode Switch that will permit the unit to be switched “ON” to monitor for function inputs, switch to “H/O” for infinite hold open function or switched “OFF” which will disable function inputs allowing unit to be used as a manual door closer. Unit shall be U.L. Listed for automatic closing door. The Unit shall be adjustable to provide compliance with the requirements of the Americans with Disabilities Act (ADA). Unit shall be certified by BHMA to meet A156.19 requirements. Unit shall meet UL325, UL10C standards.

APPLICATIONS

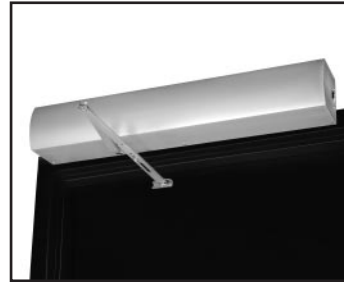


Left hand shown

5910
HINGE (PULL) SIDE OF DOOR
5910 RIGID ARM AND SLIDE TRACK

- Spring buffered stop assembly in slide track
- 85° to 110° templated door openings in 5° increments
- 1/8" (3mm) maximum frame reveal

An auxiliary stop is suggested where severe conditions exist.



Left hand shown

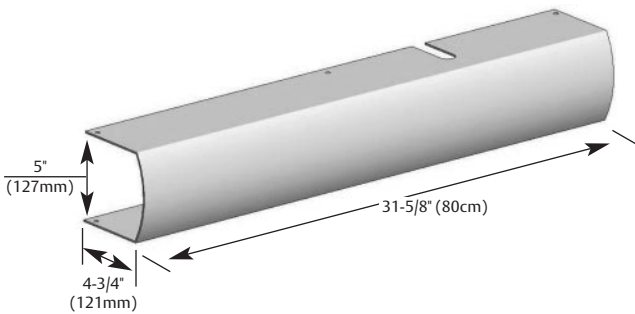
5930
STOP (PUSH) SIDE OF DOOR
STANDARD-DUTY DOUBLE LEVER ARM

- Frame reveals 2-3/4" to 6-7/8" (70 to 175mm)
- An auxiliary door stop is required for these applications

Dimensional Information:

- Minimum ceiling clearance: 5-5/8" (143mm)
- Minimum door width: 32" (81cm)
- Minimum frame face: 2" (5mm)
- Minimum top rail: 1-5/8" (41mm)

Note: For additional information, the 5900 Series X-in Power Operator Instruction Manual is available online.



HOW TO ORDER

Note: All transmitters (door switches or key fob) must be ordered separately.

59

FIRST TWO DIGITS
Product Series
X-in

3

THIRD DIGIT
Identifies Type of Application

HINGE (PULL) SIDE OF DOOR*

- 1 – Rigid Arm & Slide Track
110° maximum door swing
maximum reveal 1/8" (3mm)

STOP (PUSH) SIDE OF DOOR

- 3 – Standard-Duty Double Lever Arm
110° maximum door swing
Reveals 2-3/4" to 6-7/8" (70 to 175mm)

* Consult Technical Support Department when door is hung on offset pivots

0

X

FINISH

FINISHES

Product will be sprayed with a combination of waterborne acrylic and polyester powder coat.

Description	Specify Norton Designation (BHMA)	Complements the following finishes	Old Designation
Aluminum	689	628, 625, 629, 630, 651, 625	AL
Statuary Bronze	690	640, 613	STAT

Note: For Radio Frequency; order 598Kit separately

**OPERATIONAL
SIGNS**

#679 Operational Signs

(kit contains 8 signs) Packed with 6900



#425 (1 per)



#426 (1 per)



#427 (2 per)



#432 (1 per switch)



#433 (1 per switch)



#430 (1 per)



#431 (1 per)



#428 (2 per)

#682 Signage Kit

(Packed with 576, 660, 672, 676 switches)



#424 (1 per switch)



#429 (1 per switch)

#681 Signage Kit

(Packed with 574, 661, 662, 675 switches)



#424 (1 per switch)



#429 (1 per switch)

Sign Dimensions:
Square: 6" x 6"
Round: 6-1/2" x 6-1/2"

ACCESSORIES

Motion Sensor #663



- 4-3/4" x 3-3/16" x 2" projection
- Unidirectional
- Black cover
- SPDT relay
- Adjustable angle pattern
- 24 VDC input
- Must not be placed where motion of door can be sensed

Switch Post #577 & #578



- 4" x 6" x 40" x 3/16" wall thickness
- 9 volt battery
- RF temperature range: -4° F to 122° F
- 689 (aluminum) or 690 (dark bronze) finishes; specify when ordering
- Standard formed plastic cap
- Surface mounted (above ground)
- **577** - radio frequency transmitter
- **578** - hard wired switch
- To order switch only - specify model **#580**

ACCESSORIES

Activating Door Switches



660



661

- 4" x 4" face plate
- 4-1/2" x 4-1/2" SS back plate
- 15 amp @ 125 VAC
- Flush mounted – hard wired
- Fits single or 2 gang electrical box
- **660** – Stainless steel with black letters
- **661** – Blue powder coat with white letters



662



672

- 1-11/16" x 4-1/2" face plate
- 1-11/16" x 4-1/2" back plate
- SPDT UL listed switch-mom.
- 15 amp @ 125 VAC
- Fits 1-3/4" frame
- **662** – Stainless steel with red button
- **672** – Stainless steel with black letters



574, 685



575, 576

- 6-5/8" square (box); 8-1/8" square (trim)
- 6" round (push plate) - **691, 692, 693 & 694**
- 9 volt battery
- Temperature: -4° F to 122° F
- 15 amp @ 125VAC
- Flush or surface mounted^
- Stainless steel with blue letters
- **574, 576, 692 and 694** - radio frequency (433MHz). Used with RF1 option and 687KIT.
- **575, 685, 691 and 693** - hard wired*



691, 692



693, 694

- * Switches may also be installed with single or double gang electrical box using fasteners included.
- ^ Surface mounted switches project 2" from wall.

Vestibule Switches



675

- 2 – 1-1/16" x 4-1/2" face plates
- 4-1/2" x 4-1/2" SS black plate
- 2 – SPDT UL listed switches-mom.
- 15 amp @ 125 VAC
- Fits 2-gang electrical box
- **675** – Blue powder coat with white letters
- **676** – Stainless steel with black letters



676

Touch Less Wall Switch



697



- Single gang and double gang
- Doppler radar
- Sensor requires movement for activation
- Variable relay-hold time from 1 to 10 seconds
- Range of 2" to 24" – field adjustable
- Radiated Frequency: 24.125 GHz
- Supply Voltage: 12 to 24VAC +/- 10%
12 to 24VDC +30%/-10%
- Main Frequency: 50 to 60Hz
- Output: Relay contact rating (max voltage): 60 VDC/125VAC
- Detection Range: 2" – 20" (adjustable)
- Output Hold Time: 0.5 to 10 seconds (adjustable)
- Temperature Range: -30°F to 131°F
- Height: 4-1/2"
- Width: 2-3/4" (Single), 4-1/2" (Double)
- Depth: 2"

Note: All hard wired switches are Momentary Contact SPDT, UL Listed.

ACCESSORIES



598KIT* – Radio Frequency Option
A Radio Frequency receiver (field installed) used to control the X-in from a remote location. Wireless. Requires the 572, 574, 576, 577, 581 or 582 (sold separately).

* Maximum codes: 12

Transmitters

- 9 volt battery
- Temperature: -4° F to 122° F
- Used with RF1 and 598KIT



572 - Key Fob

- 1-1/2" w x 2-3/16" h x 9/16" d
- Two channel



581

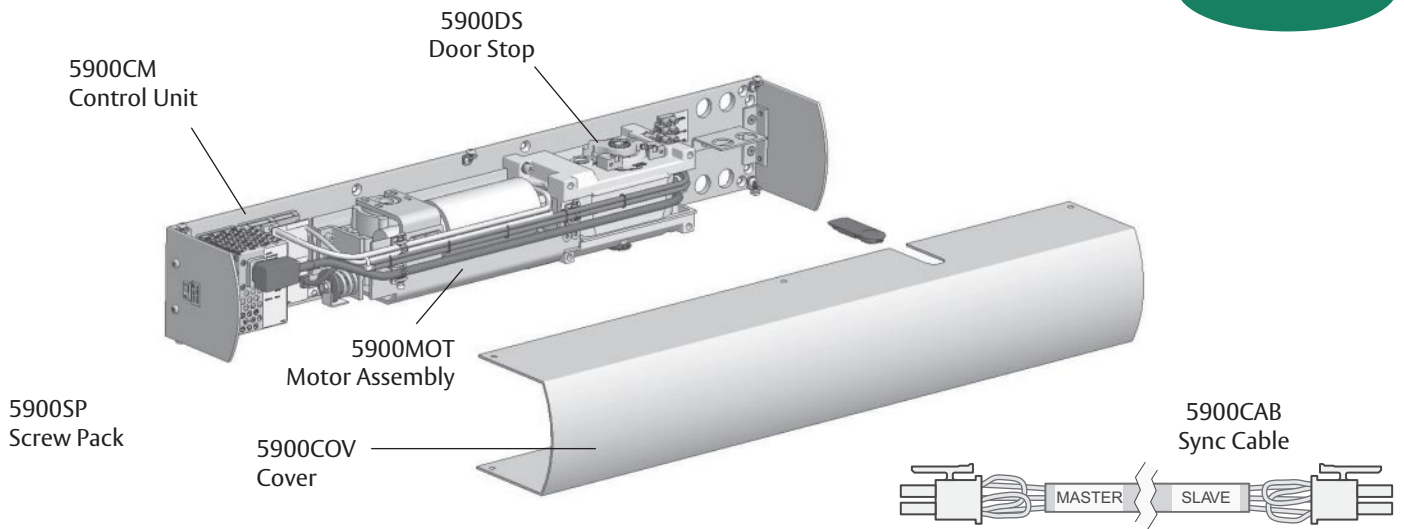
- 2-3/8" w x 4-3/16" h x 15/16" d
- Single channel



582

- 2-3/8" w x 4-3/16" h x 15-16" d
- Two channel

PARTS LIST



Arm and Track Assemblies



#6610-1 – Arm and Track Assembly
#7210-1A – Arm Assembly
#6610-1T – Track Assembly



#6630-1 – Arm Assembly
#6630-1W – Main Arm & Rod
#6620-12 – Adjusting Tube & Shoe



5900 – 7



ASSA ABLOY

For a complete listing of products and applications please visit our web site.
www.nortondoорcontrols.com
www.assaabloy.ca

Or contact us at:

Norton Door Controls
3000 Highway 74 East
Monroe, NC 28112
Tel: 1-877-974-2255
Fax: 1-800-338-0965

ASSA ABLOY Door Security Solutions Canada
160 Four Valley Drive
Vaughan, Ontario, L4K 4T9 Canada
Tel: 1-800-461-3007
Fax: 1-905-738-2478

Norton® is a registered trademark of Yale Security Inc., an ASSA ABLOY Group company. X-in™ is a trademark of Yale Security Inc., an ASSA ABLOY Group company. These materials are protected under U.S. copyright laws. All contents current at time of publication. Copyright © 2010, Yale Security Inc., an ASSA ABLOY Group company. All rights reserved. Reproduction in whole or in part without the express written permission of Yale Security, Inc. is prohibited.

ASSA ABLOY is the global leader in door opening solutions, dedicated to satisfying end-user needs for security, safety and convenience.