

# **SIMPLEX** | THE NEW WAVE IN METAL CEILINGS

CEILINGS AND WALLS A DIVISION OF INTALITE INC

*PANELS*

*PLANKS*

*LINEAR*

*SCREENS*

*CURVED*

*CUSTOM*

*NEW PRODUCTS*



For over 50 years, Simplex has supplied quality Metal Ceiling Systems to the industry. In the past decade, Simplex Ceilings merged with Intalite Inc. to become the dominant provider of the widest range of metal ceiling and wall systems in North America.

## SUSTAINABILITY

The Simplex difference: Rapidly renewable, low carbon energy and heavy metal free.

Renewable Energy: Simplex is located in Montréal, Quebec and powers the offices and production facility with hydro electric energy

Heavy Metal Free: Simplex specializes in the fabrication of aluminum ceilings, exterior soffits and wall systems. Aluminum does not require the use of heavy metal pretreatments (hexavalent chromium) as used in galvanized steel.

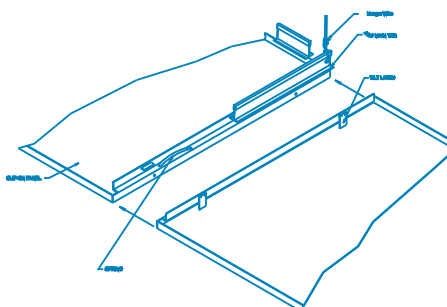


## | PANELS

Our method of manufacturing allows us to move beyond commodity products to create the best system for your individual requirements. With a commitment to quality second to none and the strength of experience to back up this commitment, Simplex Ceilings metal pans will satisfy your architectural and design requirements.

Clip-On provides a concealed grid system for both interior ceilings and exterior soffits. A wide range of looks are available: square or rectangular, 1/4" revealed or butt joints and perforated with or without a border. The Clip-On flexibility of size, finish and perforation pattern makes it ideal wherever a concealed grid is required.

For other solutions see:  
G 2000, Designer, Quad, Snap-In,  
Lay-In, Tegular and Inclined Tegular,  
at [simplexceilings.com](http://simplexceilings.com)





## | PLANKS



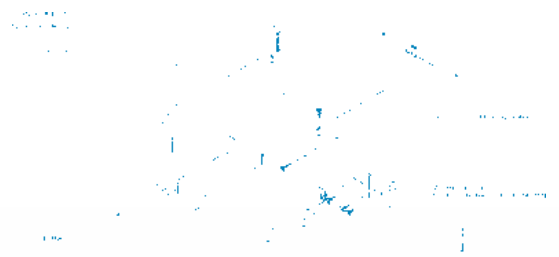
2000 - the next generation in Plank ceilings features: excellent joint alignment, excellent face alignment and uniform surface flatness.

Proprietary Alignment Buttons insure every panel sits square in the ceiling for clean straight lines.

Proprietary "Lipping Clips" insure uniform face alignment to form a monolithic plane.

Proprietary "Prestressing" insures uniformity across the face of every plank,

For other Plank solutions see Clip-On Plank, Linear Plank and Snap-In Plank at [simplexceilings.com](http://simplexceilings.com)



## CURVED

**D**esigner is our most flexible system, using extruded aluminum grid slotted to receive the panel's torsion springs and indexed for easy and fast installation, allowing a huge range of different panel shapes and sizes.

Triangular, trapezoidal, rectangular and other shapes are possible, to create truly spectacular custom curved systems.

For other curved or faceted systems see: Designer LT, Clip-On, G 2000, Ripples, Wavegrid, Snap-In and Linear at [simplexceilings.com](http://simplexceilings.com)



Snap-In-bar

Wire Clips

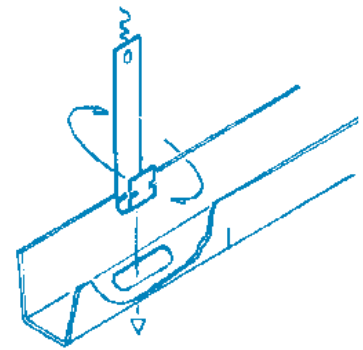
Curved Snap-In Panels

## | LINEAR

Simplex Ceilings has over 40 years experience with linear metal ceiling systems. With the ability to provide systems with a butt joint, an open reveal, a separate or an integral filler strip, the flexibility of our systems delivers incredible design alternatives. This variety, and our dedication to customer service, makes Simplex Ceilings Linear Systems the systems of choice both for contractors and designers.

Linear offers a simple beam profile with an interlocking separate filler strip. This strip will not dislodge in negative pressure environments, making it ideal for subways, trains stations and traditional exterior soffits. Its flexibility allows for exciting design possibilities while providing a clean, durable ceiling. Sound-absorbing ceilings are also available.

For other Linear solutions see: D, Lamel, Planks & Ripples at [simplexceilings.com](http://simplexceilings.com)







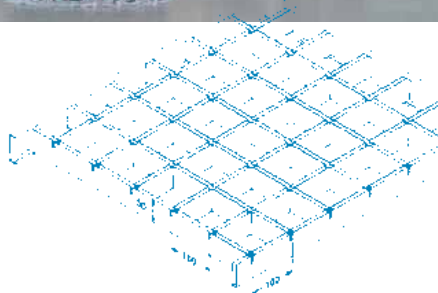
## | SCREENS

**S**implex Ceilings, through our parent company Intalite International, is the original inventor and patent holder of the open cell (folded blade) ceiling systems used throughout the world. Our experience and dedication to open cell systems keeps us in the forefront of the design and manufacture of these systems.

### **Beam**

Beam systems feature formed aluminum (or steel) beams that interlock to form a visual boundary. Typically, the beams are 1" to 6" square or rectangular in profile. The mitered corners ensure superior detailing and by utilizing both vertical and horizontal members, the broadest range of system designs is possible.

For other Open Cell solutions, see 9-IG, 14-T, Bi-Level, Super-Cell and Wire Cell at [simplexceilings.com](http://simplexceilings.com)





## | CUSTOM

**O**ur Custom design and manufacturing capabilities lead the industry. Due to the nature of the Computerized Numerical Control (CNC) equipment, we have tremendous manufacturing flexibility and can maintain extremely tight tolerances throughout the fabricating process. Our in-house perforating for both standard and custom perforation patterns allows us to create custom designs while staying on schedule. These advantages, combined with a dedicated and experienced engineering team, ensure a successful custom project.

Materials: Aluminum, steel, stainless steel.

Finishes: Wet, powder, anodized and fluoropolymer coatings, Image transfer, laminate, veneer and painted fabric coverings.

### Quad

Quad provides the accessibility of a lay-in panel with the functionality of a wide grid to accept accessories. This design enables maximum flexibility for integrating HVAC, lighting, sprinklers and cabling for computer and other systems into the ceiling surface. By utilizing variations of Simplex Ceilings standard components, Quad functionality and flexibility provide a high value alternative to standard ceiling systems.

## NEW FINISHES

### | IMAGES-LAMINATES-VENEERS

Simplex Ceilings provides the full range of wood solutions.

**IMAGES:** Wood grain image transfers on powder coated aluminum for an economical wood look suitable for harsh environments and limited budgets.

**LAMINATES:** The superior HD 3D images, textures and performance of laminates and aluminum at a moderate price.

**VENEERS:** Quality wood veneers applied to aluminum and finished to perfection.



## | CONTACT INFORMATION