



catalog of appliances

Now you can offer a choice between a kitchen designed with the latest in cooking innovations and a modern kitchen with true local flavor.

Your customers can experience the right combination of high style and performance with GE Profile™ appliances. Clean lines, bold curves and custom finishes make a dramatic statement, creating a beautiful kitchen to enjoy now and for many years to come.

Or they can create an enchanting little spot with fantastic food and charming atmosphere with the new GE Café™ kitchen. With its smooth stainless steel and innovative cooking conveniences, it transforms any kitchen into a corner café. For more information on GE Café and GE Profile appliances, visit ge.com.

*100 years of **innovation** and we're just getting started.*



Profile™

Café™

GE Profile™, GE Café™ and GE® refrigerators



PSCS5RGX
GE Profile
counter-depth
24.6 cu. ft.
refrigerator

- ClimateKeeper2™ system
- Integrated dispenser with LED lighting and UltraFlow₁₀₀
- Quick Ice™ setting
- TurboCool™ setting
- Integrated Ice™ system
- Integrated shelf support system
- Adjustable ClearLook™ door bins
- In-the-door beverage rack



CSHS5UGX
GE Café
25.4 cu. ft.
free-standing
refrigerator



- ClimateKeeper system
- External controls with actual-temperature display and UltraFlow₁₀₀
- ExpressChill™ setting
- GE Café stainless steel handles with stainless steel sides
- Slide 'n Store™ full-extension freezer baskets
- Quick Ice setting
- TurboCool setting
- Integrated Ice system



GSS23WGT
GE 23.1 cu. ft.
refrigerator

- External controls with actual-temperature display, child lock, door alarm and UltraFlow₆₄
- Integrated shelf support system
- Adjustable humidity crispers
- Adjustable temperature deli drawer
- Snack drawer



PFSS2MIX
GE Profile
22.2 cu. ft.
French-door
refrigerator

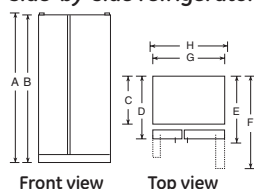
- Stainless steel doors with top and bottom bevels
- Internal water dispenser with GE water filtration
- ClimateKeeper system
- Factory-installed icemaker with water filtration system
- BrightSpace™ interior with GE Reveal® lighting
- Freshness Center™ with 2 adjustable humidity crispers
- Multi-level Slide 'n Store freezer basket system
- Condiment bin and beverage rack
- QuickSpace™ shelf
- TurboCool setting

GE Profile and GE Café side-by-side refrigerators

	GE Profile	GE Café
	PSCS5RGX PSCF5RGX	CSHS5UGX
ENERGY STAR® qualified		●
Counter-depth	●	
Capacity		
Total (cu. ft.)	24.6	25.4
Fresh food (cu. ft.)	15.28	15.9
Freezer (cu. ft.)	9.32	9.5
Shelf area (sq. ft.)	20.7	22.7
Fresh Food Features		
ClimateKeeper system	ClimateKeeper2	●
Dual evaporator	●	●
Multi-flow air system	●	●
Electronic sensors	●	●
Actual-temperature display	●	●
TurboCool setting	●	●
GE water filtration system	MSWF	MSWF
UltraFlow ₁₀₀ dispenser	Crushed ice, cubes, water	Crushed ice, cubes, water
Integrated design	●	●
Light	LED	●
Child lock and door alarm	●	●
Quick Ice feature	●	●
Water filter indicator light	●	●
Cabinet shelves	3 adj. glass	3 adj. glass
Slide-out, spillproof	2	3
QuickSpace shelf	●	●
Integrated shelf support system	●	●
Snugger™ clips	2	2
Freshness Center	●	●
Top drawer	Adj. temp.	Adj. temp.
Middle drawer	Adj. humidity	Adj. humidity
Bottom drawer	Sealed	ExpressChill
ClearLook door bins	5 (4 adj.)	4 (3 adj.)
In-the-door beverage storage	Wire beverage rack	Wire beverage rack
BrightSpace interior lighting	GE Reveal	GE Reveal
Quiet design	Premium	Premium
Freezer Features		
FrostGuard™ technology	●	●
Integrated Ice system	●	●
Wire slide-out baskets	3	3 (2 full-extension)
Wire cabinet shelves	3	3
Wire tilt-out door bin(s)	2 adj.	2 adj.
Door bin	1 fixed	1
BrightSpace interior lighting	GE Reveal	GE Reveal
Exterior		
Color(s) available*	SS WW,CC,BB	SS
Counter-depth configuration	No panel required	
Door handle(s)	Sculptured stainless steel CM sculptured Rounded doors	GE Café stainless
Exterior design	High-gloss rounded doors Case only (gray)	Stainless Top of case only
Textured steel door and case	Case only	Top of case only
Stainless steel side panels		●
Adjustable rollers	Front	Front
Weights & Dimensions		
Height to top of hinge (in.) A	72-1/8	69-5/8
Height to top of case (in.) B	71-5/8	68-3/4
Case depth without door (in.) C	23-7/8	28
Case depth less door handle (in.) D	27-1/8	32-1/4
Case depth with door handle (in.) E	29-5/8	34-3/4
Depth with fresh food door open 90° (in.) F	46	50-1/8
Width (in.) G	35-3/4	36
Width w/door open 90° w/door handle (in.) H	41-3/8	41-1/4
Air clearances	Each side (in.) Top (in.) Back (in.)	1/8 1 1/2
Approx. shipping weight (lbs.)	394	450
Power/Rating	120V, 60Hz, 15Amps	

*Color(s) available: SS = Stainless steel, WW = White, CC = Bisque, BB = Black, CM = Color-Matched.
If installed against a wall, allow clearance of 14" on freezer side to remove bin. Clearance required to remove fresh food full size pan without disassembling is 18-5/8".
ALL MODELS AVAILABLE IN U.S. AND CANADA.

Side-by-side refrigerators



Listed by
Underwriters
Laboratories

GE side-by-side refrigerator

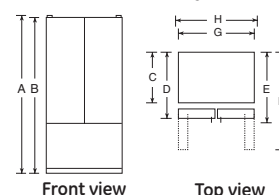
	GE "W" Series
	GSS23WGT GSS23WST
Capacity	
Total (cu. ft.)	23.2
Fresh food (cu. ft.)	15.86
Freezer (cu. ft.)	7.26
Shelf area (sq. ft.)	20.5
Fresh food features	
Actual-temperature display	●
External controls	●
GE water filtration system	MWF
UltraFlow dispenser	64 Crushed ice, cubes, water
Features	
Light and child lock	●
Door alarm	●
Water filter indicator light	●
Cabinet shelves	3 glass
Adjustable	3
Slide-out, spillproof	3
Integrated shelf support system	●
Snugger clips	2
2-stack drawer system	●
Top drawer	1 adj. temp.
Bottom drawer	1 adj. humidity
Snack drawer	●
ClearLook door bins	4 (2 adj. with gallon storage)
Dairy compartment	●
Interior light system	Dual-level
Quiet design	Deluxe
Freezer features	
FrostGuard technology	●
Factory-installed icemaker and bin	●
Wire cabinet shelves	4 (3 adj.)
Storage basket(s)	1 slide-out
Door bins	5 Shelves
Interior light	●
Appearance	
Color(s) available*	WW, CC, BB SS CM Stainless steel tubular
Deluxe door handle(s)*	Rounded doors
Exterior design	● Black
Textured steel case	●
Stain. steel side panel accessory (opt.)	- / ●
Adjustable rollers	Front
Weights & Dimensions	
Height to top of hinge (in.) A	69-1/2
Height to top of case (in.) B	68-3/4
Case depth without door (in.) C †	28
Case depth less door handle (in.) D †	31-1/4
Case depth with door handle (in.) E †	33-5/8
Depth w/fresh food door open 90° (in.) F †	50-1/8
Width (in.) G	32-3/4
Width w/door open 90° with door handle (in.) H	37-3/4
Air clearances	Each side (in.) Top (in.) Back (in.)
Approx. shipping wt. (lbs.)	1/8 1 1
Power/Ratings	296 120V, 60Hz, 15Amps

*Color(s) available: SS = Stainless steel, WW = White, CC = Bisque, BB = Black, CM = Color-Matched.
†Water hook-up fits in back air clearance when calculating installation depth.
If installed against a wall, allow clearance of 10-3/4" on 20 cu. ft. and 22 cu. ft. models; 14-1/4" on 25 cu. ft. models on freezer side to remove bin. Clearances required to remove fresh food full-size pan without disassembling: 13-1/2" on 20 cu. ft.; 15" on 22 cu. ft.; and 19" on 25 cu. ft. Allow additional space for any necessary leveling adjustments.

GE Profile bottom-freezer refrigerator

	GE Profile
	PFSS2MIX PFSF2MIX
Stainless steel model	● / -
French-door model	●
Capacity	
Total (cu. ft.)	22.2
Fresh food (cu. ft.)	15.5
Freezer (cu. ft.)	6.7
Shelf area (sq. ft.)	27.7
Fresh food features	
ClimateKeeper system	●
Door alarm	●
Internal electronic temperature controls	●
TurboCool setting	●
Cabinet shelves	4 glass
Adjustable	4 split
Slide-out	2
Spillproof	3
QuickSpace shelf	●
Internal water dispenser	●
GE water filtration	GSWF
Water filter indicator light	●
Freshness Center	●
Crisper drawers	2 adj. humidity
Snack drawer	1 adj. temp
ClearLook adjustable gallon door bins	3
Fixed door bins	2
In-the-door beverage storage	ShelfSaver™
Snugger clips	2
Dairy compartment	●
BrightSpace interior lighting	GE Reveal
Quiet design	Premium
Freezer features	
Factory-installed icemaker & bin	●
FrostGuard technology	●
Multi-level Slide 'n Store full-extension freezer baskets	2 f/w, 1 split
BrightSpace interior lighting	GE Reveal
Exterior	
Color(s) available*	SS WW, BB
Sculptured door handles	Stainless steel Color-matched
Exterior design	Contoured w/top & bottom bevels
Textured steel case	Gray Color-matched
Door	Stainless High-gloss
Door stops	●
Adjustable rollers	Front
Weights & Dimensions	
Height to top of hinge (in.) A	68-1/2
Height to top of case (in.) B	67-3/4
Case depth without door (in.) C †	28-1/4
Case depth less door handle (in.) D †	32-1/2
Case depth with door handle (in.) E †	35
Depth w/fresh food door open 90° (in.) F †	40-5/8
Width (in.) G	32-3/4
Width w/door open 90° w/door handle (in.) H	36-1/4
Air clearances	Each side (in.) Top (in.) Back (in.)
Approximate shipping wt. (lbs.)	1/8 1 1
Power/Rating	315 120V, 60Hz, 15Amps

*Color(s) available: SS = Stainless steel, WW = White, BB = Black. †Water hook-up fits in back air clearance when calculating installation depth.



GE Profile™ built-in ovens



JT980

GE Profile 30" double oven with Trivection® technology

- Trivection technology (upper oven only)
- Speed baking/Speed broiling (upper oven only)
- PreciseAir™ convection system (upper and lower oven)
- Convection bake (single- and multi-rack) (upper and lower oven)



PT956

GE Profile 30" double oven

- Glass touch controls
- PreciseAir convection system (upper oven only)
- Flat back convection (upper oven only)
- Convection bake/roast (upper oven only)
- Hidden bake oven interior
- Self-clean, heavy-duty oven racks



JT930

GE Profile 30" single oven with Trivection technology

- Trivection technology
- Speed baking/Speed broiling
- PreciseAir convection system
- Convection bake (single- and multi-rack)
- Convection roast
- Chef's Guide™ oven controls
- Extra-large, self-clean oven
- Heavy-duty oven racks



PT916

GE Profile 30" single oven

- Glass touch controls
- PreciseAir convection system
- Flat back convection
- Convection bake/roast
- Hidden bake oven interior
- Self-clean, heavy-duty oven racks



GE Profile 30" built-in double ovens

		GE Profile	
		JT980SK JT980BH	PT956SM PT956WM PT956CM PT956BM
Features			
Oven	Upper	Trivection/Convection	Convection
	Lower	Convection	Thermal
Oven capacity	Upper	4.3 cu. ft.	4.4 cu. ft.
	Lower	4.4 cu. ft.	4.4 cu. ft.
Trivection technology		Upper	
Speed baking mode		Upper	
Speed broiling mode		Upper	
PreciseAir convection system		●	Upper
Multi-rack convection bake		●	Upper
Single-rack convection bake		●	Upper
Convection roast		●	Upper
Auto Recipe™ conversion		●	Upper
Self-clean oven w/Delay Clean option		●	●
Automatic self-clean oven door lock		●	●
Light self-clean option		●	●
TrueTemp™ system		●	●
Variable broil/Six-pass broil element		●	●
Dual bake element		Upper	
Eight-pass bake element		Lower	●
Chef's Guide controls		Glass touch	
SmartSet controls			Glass touch
Programmable recipe recall		●	
Proof mode		●	Upper
Warm mode		●	Upper
Defrost mode		Upper	
Oven meat probe			Upper
Help mode		Upper	
Optional closed door broiling		●	
Temperature display		●	●
Delay bake option		●	●
C° and F° programmable		●	●
Audible preheat signal		●	●
Auto oven shut-off w/override		●	●
Electronic clock and kitchen timer		●	●
Control lock capability		●	●
Oven lights		2	2
Certified Sabbath mode		●	●
Flat convection cover			●
QuietBake fan system			●
Oven racks	Upper	3 heavy-duty	3 heavy-duty
	Lower	3 heavy-duty	2 heavy-duty
Embossed rack positions		5 upper/7 lower	7 upper/7 lower
Trivection cookbook		●	
Appearance			
Color appearance*		SS BB	SS WW CC BB
Frameless oven doors		Stainless steel Black glass	Stainless steel White glass Bisque glass Black glass
Big View window		●	Big ClearView™ Stainless steel White Bisque Black
Sculptured handles		Stainless steel Black	Stainless steel White Bisque Black
Weights & Dimensions			
Approx. shipping wt. (lbs.)		333	256
Oven cabinet width required (in.)		30	30
Overall dimensions (WxHxD in inches)		29-3/4 x 52-7/8 x 23-1/2	29-3/4 x 52-7/8 x 23-1/2
Overall oven interior dimensions (WxHxD in inches)	Upper	24 x 17-1/2 x 17-1/2	24 x 17-1/2 x 18-1/4
	Lower	24 x 16-1/4 x 18-1/4	24 x 17-1/2 x 18-1/4
Power/Ratings			
KW rating @	240V	8.9	9.0
	208V	6.7	6.8
Amps @	240V	40	40
	208V	40	40
Convection wattage		2500	2500
Broiler/bake wattage		2500/2500	2400/2100

*SS = Stainless steel, WW = White on white, CC = Bisque on bisque, BB = Black on black.

GE Profile 30" built-in single ovens

		GE Profile	
		JT930SK JT930BH	PT916SM PT916WM PT916CM PT916BM
ADA-compliant			
		●	●
Features			
Oven		Trivection/Convection	Convection
Oven capacity		4.3 cu. ft.	4.4 cu. ft.
Trivection technology		●	
Speed baking mode		●	
Speed broiling mode		●	
PreciseAir convection system		●	●
Multi-rack convection bake		●	●
Single-rack convection bake		●	●
Convection roast		●	●
Auto Recipe conversion		●	●
Self-clean oven w/Delay Clean option		●	●
Automatic self-clean oven door lock		●	●
Light self-clean option		●	●
TrueTemp™ system		●	●
Variable broil/Six-pass broil element		●	●
Dual bake element		●	
Chef's Guide controls		Glass touch	
SmartSet controls			●
Programmable recipe recall		●	
Proof mode		●	●
Warm mode		●	●
Defrost mode		●	
Oven meat probe			●
Help mode		●	
Optional closed door broiling		●	
Temperature display		●	●
Delay bake option		●	●
C° and F° programmable		●	●
Audible preheat signal		●	●
Auto oven shut-off w/override		●	●
Electronic clock and kitchen timer		●	●
Control lock capability		●	●
Oven lights		2	2
Certified Sabbath mode		●	●
Flat convection cover			●
QuietBake fan system			●
Oven racks		3 heavy-duty	3 heavy-duty
Embossed rack positions		5	7
Trivection cookbook		●	
Appearance			
Color appearance*		SS BB	SS WW CC BB
Frameless oven door		Stainless steel Black glass	Stainless steel White glass Bisque glass Black glass
Big View window		●	Big ClearView™ Stainless steel White Bisque Black
Sculptured handles		Stainless steel Black	Stainless steel White Bisque Black
Undercounter installation**		●	●
Weights & Dimensions			
Approx. shipping wt. (lbs.)		199	140
Oven cabinet width required (in.)		30	30
Overall dimensions (WxHxD in inches)		29-3/4 x 28-1/4 x 23-1/2	29-3/4 x 28-1/4 x 23-1/2
Overall oven interior dimensions (WxHxD in inches)		24 x 17-1/2 x 17-1/2	24 x 17-1/2 x 18-1/4
Power/Ratings			
KW rating @	240V	5.9	4.5
	208V	4.4	3.4
Amps @	240V	30	20
	208V	30	20
Convection wattage		2500	2500
Broiler/bake wattage		2500/2500	2400/2100

*SS = Stainless steel, WW = White on white, CC = Bisque on bisque, BB = Black on black.

**Not approved for installation under a cooktop.

GE Profile™ and GE Café™ free-standing ranges



PB975 GE Profile 30" double electric oven range

- Upper oven
- PreciseAir™ convection system
- 12"/9"/6" tri-ring element
- Bridge element
- 6.6 cu. ft. total oven capacity
- Self-clean oven (both ovens)
- Convection bake (single- and multi-rack)
- Convection roast
- Slow cook and pizza modes



JB900 GE Profile 30" CleanDesign™ electric range

- Self-clean oven
- Super-large, 5.3 cu. ft. oven capacity
- TrueTemp™ system
- Warming drawer
- 9"/12" and 6"/9" dual elements
- Warming zone
- Self-clean, heavy-duty oven racks



CGS980 GE Café 30" gas range

- PreciseAir convection system
- Extra-large, self-clean oven
- Deep-recessed stainless steel cooktop
- 18,000 BTU dual-flame stacked burner
- Center oval burner
- Non-stick griddle
- Lower oven – bake, warm, store
- Gas cooktop and oven lock-out
- Optional backguard kit (JXS80) available at additional cost

ADA
compliant



PGB908 GE Profile 30" gas range

- Self-clean oven
- Extra-large, 5.0 cu. ft. oven capacity
- Deep-recessed cooktop
- PowerBoil™ 17,000 BTU burner
- Precise Simmer burner
- Heavy cast grates
- Warming drawer
- Center oval burner
- Non-stick griddle
- QuickSet V oven controls

30" free-standing CleanDesign electric ranges

Features	GE Profile	
	PB975SM PB975TM PB975BM	JB900SK JB900TK JB900KK JB900BK
Self-clean oven	Convection	●
Self-clean latch	Auto	Auto
Oven capacity (cu. ft.) (upper/lower)	2.2 /4.4	5.3
Hidden bake oven interior	Lower	
Self-clean oven racks	4 heavy-duty	2 heavy-duty
	Black True white Black	Black True white True bisque Black
Ceramic-glass cooktop		
One-piece upswept cooktop	●	●
12"/9"/6" tri-ring element	1 (3000W)	
9"/12" dual element		1 (3000W)
6"/9" dual element		1 (2500W)
7" ribbon heating element	2 (1800W)	
Bridge element	1 (800W)	
6" element	1 (1500W)	2 (1500W)
6" warming zone	1 (120W)	1 (120W)
Infinite heat controls	●	●
TrueTemp system	●	●
Six-pass power bake element	●	●
True European convection	PreciseAir	
	Multi-/single-rack	
Convection bake	●	
Convection roast	●	
Auto Recipe™ conversion	●	
QuickSet oven controls		QuickSet V
Chef Assist controls	Glass touch	
Proof mode/Warm mode	●	- / ●
Pizza mode	●	
Slow cook mode	●	
Digital temperature display	●	●
Oven function icons	●	●
Delay bake	●	●
Oven light pad	●	●
Control lock capability	Oven	
Self-clean cool-down time display	●	●
Light self-clean option	●	●
Delay clean option	●	●
Auto oven shut-off	w/override	w/override
Certified Sabbath mode	●	●
Audible preheat signal	●	●
Dual element bake	●	●
Oven meat probe	●	●
Hot surface lights	Cooktop	Cooktop
Oven "ON" light	●	●
Self-clean cycle light	●	●
Interior oven light	Auto/pad	Auto/pad
Upper oven	●	
Warming drawer (140° to 220°)		●
Removable liner		●
Storage drawer		●
Appearance		
Color appearance*	SS/WW/BB	SS/WW/CC/BB
	Stainless steel White Black	Stainless steel White Bisque Black
Frameless glass oven door		
Oven door with window	Big ClearView™	Big ClearView
Heavy-duty knobs	SS model	
Designer-style handle	Sculptured	Sculptured
Weights & Dimensions		
Overall oven interior dimensions (WxHxD in inches) upper/lower	24 x 8-3/4 x 17-7/8	24-1/8 x 19-1/2 x 19-3/8
Approx. shipping wt. (lbs.)	262	211
Power/Ratings		
KW rating @ 240V	14.6	13.5
208V	10.9	10.1
Amp rating @ 240V / 208V	40	40

*SS = Stainless steel with black accents, WW = White with white glass door, CC = Bisque with bisque glass door, BB = Black with black glass door. All ranges are shipped with cooktop cleaning creme & pad.

GE Café 30" free-standing gas range

Features	GE Café
	CGS980
Upper oven capacity	Super-large 5.0 cu. ft.
Lower oven capacity	1.0 cu. ft.
Self-clean oven with Delay Clean option	●
Light self-clean option	●
Variable cleaning time	●
Automatic self-clean oven door lock	●
Oven racks	3 heavy-duty self-clean
TrueTemp system	●
Cooktop	Stainless Steel
Deep-recessed cooktop	●
PowerBoil burner	(1) 17,000 BTU/160° simmer
Dual-flame stacked burner	(1) 18,000 BTU/140° simmer
Precise Simmer burner	(1) 6,000 BTU/140° simmer
	(1) 9,100 BTU/150° simmer
All-purpose burners	
Center oval burner	6,000 BTU
Non-stick griddle	included
Continuous grates	Self-clean
Ignition system	Electronic
PreciseAir convection system	●
Convection bake	Single-/multi-rack
Convection roast	●
Auto Recipe conversion	●
	QuickSet VI Glass touch
Electronic controls	
Oven meat probe	●
Closed door broiling	●
Temperature display	●
Delay Bake option	●
C° or F° programmable	●
Audible preheat signal	●
Auto oven shut-off w/override	●
Gas cooktop and oven lock-out	●
Electronic clock/kitchen timer	●
Certified Sabbath mode	●
Interior oven light	●
Lower oven (140° to 450°)	●
Appearance	
Color appearance*	SS
Frameless oven door	Stainless steel
Oven door with window	Big ClearView
Sculptured oven door handle	●
Heavy-duty knobs	●
Dishwasher-safe knobs	●
Lower oven/Storage drawer handle	Commercial
Weights & Dimensions	
Overall oven interior dimensions (WxHxD in inches)	24 x 19 x 19
Approx. shipping wt. (lbs.)	245
Power/Ratings	
	(1) 17.0/11.0 (1) 18.0/15.0 (1) 5.0/4.0 (1) 9.1/8.0 (1) 6.0/6.0
Top burners (000's BTUs) Nat/LP	
Range electrical rating	120V, 60Hz, 15A
Convection wattage	1,200
Broiler/Bake BTU	
Broiler/Bake wattage	13,500/6,000 BTU
LP conversion kit (included)	●

*SS = Stainless steel Factory set for Natural Gas. A set of LP orifices is included with each range for LP conversion.

Optional kits for 30" GE Café gas ranges (Available at additional cost)

Accessory backguard (Attaches to the back of range as a backguard when unit is installed in 30" free-standing cutout)

JXS80SS—Stainless steel

30" self-clean gas range

Features	GE Profile
	Sealed burner
	PGB908SEM PGB908DEM
Capacity	
Upper oven capacity	Super-large
Lower oven capacity	5.0 cu. ft.
Features	
Oven cleaning	Self-clean
Deep-recessed cooktop	●
Cooktop burners	Sealed
PowerBoil burner (Nat.)	(1) 17,000 BTU/160° Simmer
Precise Simmer burner (Nat.)	(1) 5,000 BTU/140° Simmer
High-output burner (Nat.)	(1) 11,000 BTU/150° Simmer
All-purpose burners (Nat.)	(1) 9,100 BTU/150° Simmer
Center oval burner	(1) 6,000 BTU
Non-stick griddle	Included
Valves (degree of turn)	270
TrueTemp system	●
QuickSet oven controls	QuickSet V
Auto self-clean	●
Electronic oven control	●
Delay Bake	●
Hi/Low broil	●
Electronic clock and timer	●
Automatic oven timer	●
Audible preheat signal	●
Auto oven shut-off	●
Certified Sabbath mode	●
Oven lock-out capability	●
One-piece upswept cooktop	Porc.-enam. Matte black hvy.-cast Grey hvy.-cast Taupe hvy.-cast Black hvy.-cast
Removable grates	Dishwasher-safe
Continuous grates	
Ignition system	Electronic
Warming drawer (140° to 220°)	●
Oven racks	2
Six embossed rack positions	●
Scratch-resistant backguard	Stainless steel Porc.-enam.
Interior oven light	●
In-oven broiling	●
Appearance	
Color appearance*	SS/WW/CC/BB
	Stainless steel White glass Bisque glass Black glass
Frameless oven door	
Oven door with window	Big ClearView
Stainless appearance knobs	SS model
Oven door handle	Sculptured
Weights & Dimensions	
Overall oven interior dimensions (WxHxD in inches)	24 x 19 x 19
Approx. shipping wt. (lbs.)	235
Power/Ratings	
	(1) 17.0/11.0 (1) 6.0/6.0 (1) 11.0/9.1 (1) 5.0/4.0 (1) 9.1/8.0
Top burners (000's BTUs) Nat/LP	
Oven/broiler burners (000's BTUs) Nat/LP	16.0/16.0 oven 13.5/12.0 broil
Gas range electrical rating	120V, 60Hz, 9A
LP conversion kit (incl.)	●

*SS = Stainless steel (with black/metallic accents on select models), WW = White with white glass door, CC = Bisque with bisque glass door, BB = Black with black glass door. Factory set for Natural Gas. A set of LP orifices is included with each range for LP conversion.

GE Profile™ built-in cooktops



PP975

GE Profile 36" electronic touch control cooktop

- Electronic touch controls
- Control lock capability
- Ribbon heating elements
- 12"/9"/6" tri-ring element
- 5"/8" PowerBoil™ element
- 5"/8" dual element
- Warming zone
- Full stainless steel frame on stainless steel model
- Upfront controls



PP945

GE Profile 30" electronic touch control cooktop

- Electronic touch controls
- Control lock capability
- Ribbon heating elements
- 12"/9"/6" tri-ring element
- 5"/8" PowerBoil element
- Full stainless steel frame on stainless steel model



JGP970

GE Profile 36" gas-on-glass cooktop

- Gas-on-glass cooktop
- Sealed cooktop burners
- PowerBoil 15,000 BTU burner
- Precise Simmer burners
- Continuous grates
- Dishwasher-safe grates and knobs
- Control lock capability
- Heavy-duty knobs on stainless steel model



JGP940

GE Profile 30" gas-on-glass cooktop

- Gas-on-glass cooktop
- Sealed cooktop burners
- PowerBoil 15,000 BTU burner
- Precise Simmer burners
- Continuous grates
- Dishwasher-safe grates and knobs
- Control lock capability
- Heavy-duty knobs on stainless steel model



Built-in CleanDesign™ cooktops

	GE Profile	
	PP975SM PP975BM PP975WM	PP9455SM PP945WM PP945BM
ADA-compliant	●	●
Features		
Ceramic-glass surface	Pattern_black Pattern_black	Pattern_black True white Pattern_black
Number of elements	5 ribbon	4 ribbon
12"9/16" tri-ring element	1 ribbon (3000W)	1 ribbon (3000W)
5"8" dual heating element	1 ribbon (2200W)	
1 PowerBoil (2400W)		1 PowerBoil (2400W)
6" heating elements	1 ribbon (1200W)	2 ribbon (1200W)
6" warming zone	1 ribbon (120W)	
Hot surface indicator lights	5	4
Control lock capability	●	●
Appearance		
Color appearance*	SS BB WW	SS WW BB
Frameless	BB	WW/BB
Stainless steel frame	SS models only	SS models only
Weight & Dimensions		
Cooktop width (in inches)	36	30
Approx. shipping wt. (lbs.)	44	38
Power/Ratings		
KW rating @ 240V	8.9	7.8
208V	6.7	5.9
Amps @ 240V	40	40
208V	40	30

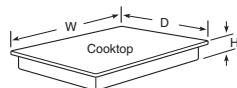
*SS = Stainless Steel, WW = White on white, BB = Black on black.

Built-in CleanDesign cooktop dimensions (in inches)

Model	Overall			Cutout			To edge of front counter (min.)
	W	D	H	E	F	G	
PP975BM/WM	36	20-7/8	3-1/4*	33-7/8	19-1/8	2-1/2**	
PP945WM/BM	29-3/4	21-3/8	3-1/4*	28-1/2	19-5/8	2-1/2**	

*Depth of unit at conduit connection location (rear) is 6-1/4" on models PP975/945.

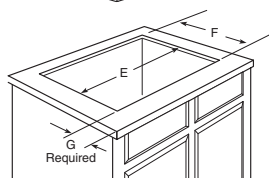
**Raised bull nose countertops may require up to 3/8" additional clearance to prevent interference with curved front.



Model	Overall			Cutout			To edge of front counter (min.)
	W	D	H	E	F	G	
PP975SM	36-1/8	21	3-1/4*	33-7/8	19-1/8	2-1/2**	
PP945SM	29-7/8	21-1/2	3-1/4*	28-1/2	19-5/8	2-1/2**	

*Depth of unit at conduit connection location (rear) is 6-1/4" on models PP975/945.

**Raised bull nose countertops may require up to 3/8" additional clearance to prevent interference with curved front.



Built-in CleanDesign cooktops

Require a 5" free area between the bottom of the cooktop to any combustible material, i.e., shelving. Free area not required when installing wall oven underneath cooktop. Refer to installation instructions. Units are furnished with a 48" flexible armored cable.

36" Ribbon Cooktops are approved for use over GE 30" Single Wall ovens* and warming drawers. 30" Ribbon Cooktops are approved for use over GE 30" and 27" Single Wall ovens* and Warming Drawers. Refer to cooktop and wall oven installation instructions packed with product for current dimensional data.

*Except Trivecton® wall ovens.

Notes: If installing with a 36" GE Profile or GE Monogram® Telescopic Downdraft System, consult both cooktop and downdraft installation instructions packed with product before installing. Cooktop gas/electric supply may need to be re-routed to install downdraft.

The countertop must be at least 26" deep with a flat surface area of 23-1/2" or more, front to back. Stainless CleanDesign and gas on glass cooktops require 23-5/8" flat surface area. In addition, other clearances to the front edge of the countertop must be considered.

Note: Consult cabinet and countertop manufacturer's specs for flush mount installation prior to install.

Built-in gas cooktops

	GE Profile	
	JGP970SEK JGP970TEK JGP970KEK JGP970BEK	JGP940SEK JGP940TEK JGP940KEK JGP940BEK
ADA-compliant	●	●
Features		
Cooktop burners	5 sealed	4 sealed
PowerBoil burner	(1) 15.0	(1) 15.0
000's BTUs	180° simmer	180° simmer
	(1) 11.0	(1) 11.0
All-purpose burner(s)	(1) 9.1	(1) 9.1
000's BTUs	150° simmer	150° simmer
Precise Simmer burner(s)	(2) 6.0	(1) 6.0
000's BTUs	140° simmer	140° simmer
Electronic pilotless ignition	●	●
Cooktop surface	Ceramic-glass	Ceramic-glass
	Matte black, deluxe-cast	Matte black, deluxe-cast
	Grey deluxe-cast	Grey deluxe-cast
	Taupe deluxe-cast	Taupe deluxe-cast
	Black deluxe-cast	Black deluxe-cast
Cooktop grates		
Continuous grates	●	●
Dishwasher-safe grates and knobs	●	●
	Black True white True bisque	Black True white True bisque
Control panel	Black	Black
Controls	Upfront	Right side
Control lock capability	●	●
Appearance		
Color appearance*	SS WW CC BB	SS WW CC BB
Heavy-duty knobs	SS models only	SS models only
Weights & Dimensions		
Cooktop width (in inches)	36	30
Approx. shipping wt. (lbs.)	59	52
Features		
Gas cooktop electrical rating	← 120V, 60Hz, 5A →	
	(1) 15.0/13.0 (1) 11.0/9.1 (1) 9.1/8.1	(1) 15.0/13.0 (1) 11.0/9.1 (1) 9.1/9.1
Burners (000's/BTU's):	(2) 6.0/6.0	(1) 6.0/6.0
Natural Gas/LP Gas †		

*SS = Stainless Steel, WW = White on white, CC = Bisque on bisque, BB = Black on black.

†A set of LP orifices is included with each cooktop for LP conversion. Factory set for natural gas.

Built-in gas cooktop dimensions (in inches)

Model	Overall			Cutout			Minimum spacing to nearest combustible wall			To edge of front counter
	W	D	H	A	B	C	L	R	F	
JGP970	36	21-1/4	3-3/16	33-7/8	19-1/8	2-1/4	3-3/4	6	2-1/2*	
JGP940	29-3/4	21-7/16	3-3/16	28-1/2	19-5/8	2-1/4	3-3/4	6	2-1/2*	

*Raised bull nose countertops may require up to 3/8" additional clearance to prevent interference with curved front.

Note: All gas cooktop models require 7/16" free area below cooktop height to combustible material. Require 18" minimum from countertop to adjacent overhead cabinets.* *AGA requirement.

Note: If installing with a GE Profile telescopic downdraft system, consult both cooktop and downdraft installation instructions packed with product before installing. Cooktop gas/electric supply may need to be re-routed to install downdraft.

Filler trim kit

When replacing an old GE 30" cooktop (with larger opening) with 30" models, use the following one-piece trim kit to fill in the over-size hole. Available at additional cost.

JXTR32W (True White)
JXTR32C (True Bisque)
JXTR32B (Black)

Installation information:

Before installing, consult installation instructions packed with product for current dimensional data.

GE Profile™ ventilation products



JV966

GE Profile 36" designer hood

- 600 CFM
- Four-speed fan control
- Vertical exhaust
- Halogen cooktop light
- Nightlight
- Removable grease filter
- Optional chimney cover available at additional cost



PVB98SN

GE Profile 36" telescopic downdraft system

- 500 CFM
- Variable speed fan control
- Rises to 8-1/2" over cooktop surface
- Retracts when not in use
- Island or peninsula installation
- 3-1/4" x 10" rectangular duct
- Removable grease filter

Available 1st qtr. 2009



JV536/535

GE Profile 30" high-performance hood

- Convertible venting
- Vertical or rear exhaust
- Variable two-speed fan control
- Halogen light
- Removable grease filter
- Round or rectangular ducting

36" designer hood

GE Profile	
JV966D	
General	
Width	36"
Height	18"
Features	
Ducting	Vertical only
Duct size	7" round
CFM rating	600
Sones rating	7
Filters	●
Filter cleaning	Dishwasher-safe
Lighting	Dual halogen
Control type	Manual
Control location	Hidden
Four-speed fan control	●
Light settings	Off/High/Night
Blower/light switch color	Black
Appearance	
Color appearance*	SS
Weights & Dimensions	
Approx. shipping weight (lbs.)	77
Power/Ratings	
Current rating Amps @ 120V	3.9
Accessories/Kits	
Baffle filter kit	●
Optional chimney kit	●

*SS = Stainless steel.

Telescopic downdraft system

GE Profile	
PVB98SN	
Features	
Upfront variable-speed fan w/slide control	●
Separate remote raise/lower switch	●
Blower rating (CFM)	500
Optional blower mount capabilities	●
3-1/4" x 10" rectangular duct	●
Minimum 6" round duct capability	●
Removable grease filters	●
Appearance	
Color appearance**	SS
Cover plate	SS
Telescopic snorkel assembly	SS
Weights & Dimensions	
Width (in inches)	36
Approximate shipping weight (lbs.)	76
Power/Ratings	
Current rating amps @ 120V	4.0

*SS = Stainless steel
 **Note: Approved for use with GE Profile and GE® electric and sealed burner gas cooktops.

High-performance hood

GE Profile	
JV536H JV535H	
Features	
Two-speed fan control	●
Damper included (rectangular)	●
Optional damper accessory (round)	JXDA22
CFM/Sones rating:	
Back rectangular	240/4.5
Top round	240/4.5
Top rectangular	240/5.0
Removable grease filters	2†
Cooktop light(s)	2 halogen (50-watt)
Night light position on light switch	●
3-1/4" x 10" rectangular duct	●
7" round duct	●
Appearance	
Color appearance*	SS WW/CC/BB
Weights & Dimensions	
Approx. shipping wt. (lbs.)	30
Power/Ratings	
Current rating amps @ 120V	1.4

*SS = Stainless steel, WW = White on white, CC = Bisque on bisque, BB = Black on black.
 †WB02X10707 (30") removable grease filter is available for additional cost.



PSB1200N/1201N*

GE Profile 30" built-in Advantium® 120V wall oven

- Speedcook technology—cooks up to four times faster than a conventional oven
- 4 ovens in 1—Speedcook, True European Convection, Warming/Proofing, Sensor Microwave
- Optimizes cook time for consistent results
- No preheating
- 16" turntable
- Over 175 preprogrammed recipes
- Allows up to 30 customized recipes to be saved
- Under-the-counter installation option

*Available February 2009



SCA1001

GE Profile Advantium 120V above-the-cooktop oven

- Speedcook technology—up to 4 times faster than a conventional oven
- 4 ovens in 1 to meet your cooking needs
- Speedcook oven
- Traditional oven
- Sensor microwave oven
- Warming oven
- Over 100 preprogrammed recipes
- Auto and Time Defrost

Advantium wall oven

		GE Profile	
		PSB1201NSS PSB1200NWW PSB1200NBB	
Features			
Family-size oven		1.7	
Stainless steel oven interior		●	
Cooking modes	Speedcook	up to 4 times	
	Convection oven	250°-450°	
	Microwave oven	●	
	Warming	●	
	Proof	●	
	Multilevel	True European Convection	
Oven controls	Controls	Dial & glass touch	
	Electronic scrolling display	●	
	Preprogrammed menu items	175	
	Help pad	●	
	Demo mode	●	
	Interior oven light	●	
	Beeper sound level control	4 levels	
	Variable scroll speed	5 speeds	
	Control lockout	●	
	Frameless glass oven door with window	●	
Microwave oven features	Sensor	●	
	Defrost—Auto/Time/1-Lb. Quick	●	
	Soften/Melt	●	
	Microwave power output watts	975	
	Under-the-counter installation option	●	
	Appearance		
	Color appearance	Stainless steel White Black	
	Profile sculptured handle	●	
	Weights & Dimensions		
	Overall oven interior dimensions (in inches)		
Height	8-1/2		
Width	20-1/16		
Depth	17		
Overall dimensions (in inches)			
Exterior width (W)	29-3/4		
Exterior height (H)	19-7/32		
Exterior depth, not including handle (D)	21-27/32		
Oven cabinet width required (in inches)	30		
Cutout height	17-1/2		
Cutout width	25-1/8		
Cutout depth	23-1/2		
Approx. shipping weight (lbs.)	115		
Power/Ratings			
Input volt/hertz	120V 60Hz		
Input amps/watts (max)	30A/6.3KW-total		
Accessories			
Cookbook	●		
Cooking guide	●		
Grill tray	●		
Cooking tray	●		
Microwave tray	●		
Rack	Full-width JX2201NSS N/A JX2200NBB		
Storage drawer	JX2200NBB		
Warranty			
Limited one-year in-home warranty*	●		
Limited five-year magnetron warranty*	●		

*See written warranty for details.

Advantium above-the-cooktop oven

		GE Profile
		SCA1001KSS SCA1000HWW SCA1000HCC SCA1000HBB
Features		
Family-size oven		●
Stainless steel oven interior		●
Cooking modes	Speedcook	up to 4 times
	Traditional oven	●
	Microwave oven	●
	Warming	●
	Oven controls	Dial & buttons
Controls	Dial & buttons	
Electronic scrolling display	●	
Preprogrammed menu items	over 100	
Help pad	●	
Demo mode	●	
Interior oven light	●	
Beeper sound level control	4 levels	
Variable scroll speed	5 speeds	
Cooking complete reminder	●	
Child lockout	●	
High capacity cooktop vent fan	2 speed	
Full-view cooktop lighting	●	
Programmable night light	●	
Microwave oven features	Sensor	●
	Defrost	●
Microwave power output watts	900	
Appearance		
Color appearance	Stainless steel/ White/Bisque/ Black	
New Profile sculptured handle	●	
Weights & Dimensions		
Overall oven interior dimensions (in inches)		
Height	8-7/32	
Width	21-3/32	
Depth	14-3/32	
Overall dimensions (in inches)		
Exterior height (front)	16	
Exterior height (rear)	16-13/32	
Exterior width	29-7/8	
Exterior depth (not including handle)	15-3/8	
Approx. shipping weight (lbs.)	95	
Power/Ratings		
Input volt/hertz	120V/60Hz	
Input amps/watts (max)	15A/1.7KW-total	
Accessories		
Cookbook	●	
Cooking guide	●	
Cooking tray	●	
Microwave tray	●	
Warranty		
Limited one-year in-home warranty*	●	
Limited five-year magnetron warranty*	●	

*See written warranty for details.

GE Profile™ and GE Café™ microwave ovens



JVM3670

GE Profile Spacemaker® 1.8 cu. ft. 36" sensor oven

- 36" width application
- 1.8 cu. ft. capacity, 1100 Watts*
- CircuWave™ 1100 cooking system
- Sensor cooking controls
- Active hidden vent
- 1-lb. Quick Defrost
- 14-1/4" recessed turntable with On/Off



PVM1870/ PNM1871

GE Profile Spacemaker 1.8 cu. ft. sensor oven

- 1.8 cu. ft. capacity, 1100 Watts*
- CircuWave 1100 cooking system
- Sensor cooking controls
- Melt and 1-lb. Quick Defrost features
- Full-width active hidden vent
- 14-1/4" recessed turntable with On/Off
- Two removable oven racks



PEB2060

GE Profile 2.0 cu. ft. sensor oven

- 2.0 cu. ft. capacity, 1200 Watts*
- Sensor cooking controls
- Optional trim kit**
- Auto and Time Defrost
- Extra-large 16" turntable
- Instant On controls
- Child lockout



CVM2072

GE Café 2.0 cu. ft. sensor oven

- 2.0 cu. ft. capacity, 1100 Watts*
- Dual-distribution cooking system
- EasyGuide™ menu system
- Softer, Melt and 1-lb. Quick Defrost features
- Full-width active hidden vent
- 14-1/4" recessed turntable with On/Off
- Four-speed 315-CFM venting system with boost option
- Two removable oven racks



*IEC-705 test procedure.

**Optional trim kits available in 27" and 30" configurations at an additional cost.

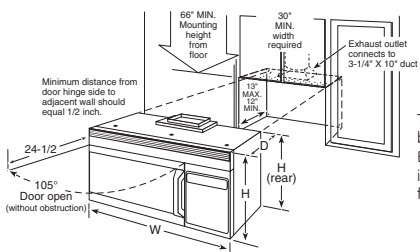
GE Profile Spacemaker microwave ovens

	GE Profile	
	JVM3670SK JVM3670WF JVM3670CF JVM3670BF	PVM1870SM PNM1871SM PVM1870DM
Capacity		
Oven cavity (cu. ft.)	1.8	1.8
Features		
Watts (IEC-705 test procedure)	1100	1100
Electronic touch controls	●	●
Scrolling display	2-line	2-line
Clock and AM/PM pad	●	●
Variable scroll speed	●	●
Help pad	●	●
Bilingual display (English/Spanish)	●	●
Sensor controls	●	●
Beverage	●	●
Chicken/Fish	●	●
Popcorn	●	●
Potatoes	●	●
Reheat	●	●
Vegetables	●	●
Custom pads	●	●
Express Cook (1-6 min.)	●	●
Instant On controls	●	●
Time cook	I & II	I & II
Add 30 seconds	●	●
Auto/Time/1 lb. Quick Defrost	●/●/●	●/●/●
Melt	●	●
Power levels	10	10
Delay Start	●	●
CircuWave 1100 cooking system	●	●
Recessed turntable	●	●
Turntable On/Off	●	●
Halogen interior/cooktop lighting	●	●
Programmable night light	●	●
Timer On/Off	●	●
Cooking complete reminder	●	●
Child lockout	●	●
300-CFM exhaust fan/Boost	4-speed / ●	4-speed / ●
Appearance		
Color appearance**	SS/WW/CC/BB	SS SS WW, CC, BB
Case color	Black/White/ Bisque/Black	Black Black White/Bisque/Black
Sculptured handle	●	●
Big view window	●	●
Weights & Dimensions		
36"-width application	●	●
Overall oven interior dimensions WxHxD (in inches)	21-29/32 x 9-1/2 x 14-19/32	21-29/32 x 9-1/2 x 14-19/32
Approx. shipping weight (lbs.)	80	68
Power/Ratings		
Input Volt/Hertz	120V/60Hz	120V/60Hz
Input Amps/Watts (max)	15A/1.58KW	15A/1.58KW
Accessories		
Cooking guide label	●	●
Oven rack(s)	1 (2 positions)	2 (2 positions)
Recirculating charcoal filter kit (opt.)	JX81B	JX52BL JX52BL
Filler panel kit (optional for 36" installation)	—	JX52WH/—/JX52BL
Warranty		
Limited one-year in-home warranty†	●	●
Limited five-year magnetron warranty†	●	●

*Non-vented model.
**SS = Stainless steel, WW = White on white, CC = Bisque on bisque, BB = Black on black.
†See warranty for details.

Overall exterior dimensions (in inches)

Model	W	D	H	H (Rear)
JVM3670	35-7/8	15-1/4	16	16-13/32
PVM1870/PNM1871	29-7/8	15-1/4	16	16-13/32



This information is not intended to be used for installing unit described. Before installing, consult installation instructions packaged with product/kit for current dimensional data.

GE Profile microwave oven

	GE Profile	
	Extra-large	
		PEB2060SM PEB2060DM
ADA compliant		●
Capacity		
Oven cavity (cu. ft.)		2.0
Features		
Watts (IEC-705 test procedure)		1200
Electronic touch controls		●
Scrolling display with Help Pad		●
Demo mode		●
Electronic digital display w/clock		●
Display On/Off		●
Sensor controls		●
Popcorn		●
Beverage		●
Reheat		●
Vegetable		●
Potato		●
Chicken/Fish		●
Express Cook	1-6 min.	●
Instant On controls		●
Time cook	I & II	●
Add 30 Seconds		●
Auto/Time Defrost		●
Power levels		10
Turntable		●
Kitchen timer/timer on/off		—/●
Delay Start/Reminder		●
Cooking complete reminder		●
Child lockout		●
Appearance		
Color appearance*		SS WW, CC, BB
Case color		Black White, Bisque, Black
Door color		Stainless steel White, Bisque, Black
Weights & Dimensions		
Approx. shipping weight (lbs.)		55 53
WxHxD (in inches)		16-11/16 x 11-1/4 x 18-1/16
Cavity		23-15/16 x 13-13/16 x 19-1/4
Exterior**		
Power/Ratings		
Input Volt/Hz		120/60
Electric input		1650
@ 120V		13.9
Accessories		
Cooking guide label		●
Right-angle plug		●
Warranty		
Limited one-year in-home warranty***		●
Limited five-year magnetron warranty***		●

*SS = Stainless steel, WW = White on white, CC = Bisque on bisque, BB = Black on black

**Exterior dimensions: height includes feet, depth does not include handle.

***See written warranty for details.

GE Café microwave oven

	GE Café	
	CVM2072SM	
Capacity		
Oven cavity (cu. ft.)		2.0
Features		
Watts (IEC-705 test procedure)		1100
EasyGuide menu system		●
Sensor controls		●
Power levels		10
Dual-distribution cooking system		●
Kitchen timer		●
315-CFM vent fan/Boost		4-speed / ●
Cavity lighting		Halogen
Cooktop lighting		Halogen
Recessed turntable		●
Turntable on/off		●
Easy-mount installation		●
"COOK" Touch control features	Express Cook	Instant-on 30 sec. & 1-7 minutes
Time Cook and Time Cook I & II		●
Add 30 Seconds		●
Select food		●
Select beverage		●
Soften		●
Melt		●
Delay Start		●
REHEAT Touch control features	Select Food/ Beverage	●
DEFROST Touch control features	Select time Select weight	●
Select food		●
1 lb. Quick Defrost		●
Soften		●
Melt		●
Delay		●
CUSTOM 1 and 2 Touch Controls		●
OPTIONS Touch Reminder (24 hr.)		●
control features	Beeper volume	●
Filter reminder		●
Clock w/Clock Saver		●
Child lockout		●
Cooking complete reminder		●
Display On/Off		Auto sleep mode
Help key		●
Sleep mode/ Wake-up touch		●
Programmable night light		●
Interactive demo mode		●
Appearance		
Color appearance*		SS
Case color		Graphite grey with tactile vent/light buttons
LED, LCD display control panel		●
Sculptured handle		●
Weights & Dimensions		
Overall oven interior dimensions WxHxD (in inches)		21-9/16 x 10-9/16 x 14-13/16
Approx. shipping weight (lbs.)		72
Power/Ratings		
Input Volt/Hertz		120 V/60 Hz
Input Amps/Watts (max)		15A/1.58 KW
Accessories		
Oven rack(s)		2 (2 positions)
Recirculating charcoal filter kit (opt.)		JX81H
Filler panel kit (optional for 36" installation)		JX52BL
Warranty		
Limited one-year in-home warranty**		●
Limited five-year magnetron warranty**		●

*SS = Stainless steel.
**See warranty for details.

GE Profile™ and GE Café™ dishwashers



PDWT480P

GE Profile stainless interior dishwasher with hidden controls

- SmartDispense™ technology*
- 6-level BrilliantClean™ towerless wash system
- CleanSensor™
- Giant tub with up to 16 place setting capacity nylon racking
- 2 sets fold-down tines in lower rack
- 2/4/8-hour Delay Start
- Hand/Gentle cycle



ONLY 48 dBA



PDW7880P

GE Profile built-in dishwasher with front controls

- Giant tub with 16 place setting capacity nylon racking
- Four-position adjustable upper rack
- 4 utility shelves with StemSafe™ in upper rack
- 2 sets fold-down tines in lower rack
- CleanSensor
- Countdown display with 1–9-hour Delay Start
- Glasses selection



ONLY 54 dBA



PDWF200P

GE Profile stainless interior dishwasher with front controls

- Giant tub with up to 16 place setting capacity nylon racking
- 6-level BrilliantClean™ towerless wash system
- CleanSensor
- 2/4/8-hour Delay Start
- 2 sets fold-down tines in lower rack
- Hand/Gentle cycle
- Glasses selection



ONLY 50 dBA



CDW9380N

GE Café stainless interior dishwasher with hidden controls

- GE Café stainless door handle
- SmartDispense™ technology*
- 6-level BrilliantClean™ towerless wash system
- CleanSensor
- Giant tub with up to 16 place setting capacity nylon racking
- 2/4/8-hour Delay Start
- 2 sets fold-down tines in lower rack



ONLY 48 dBA



* Only GE has it!

GE Profile and GE Café stainless interior dishwashers

GE Profile built-in dishwasher

	GE Profile		GE Café
	PDWT480PSS PDWT400PWW PDWT400PBB	PDWVF280PSS PDWVF200PWW PDWVF200PBB	CDW9380NSS
ENERGY STAR®	●	●	●
Energy Factor (EF)††	0.69	0.68	0.69
Features			
SmartDispense technology	47 fl. oz.		47 fl. oz.
Tube and door liner	Stainless steel	Stainless steel	Stainless steel
Giant tub	●	●	●
Front appearance	Contour door	Contour door	
Upscale flush design	●	●	●
Full-length door design	Fully integrated	One-piece color wrap	Fully integrated
Wash system	BrilliantClean	BrilliantClean	BrilliantClean
Wash arms	3 direct-feed	3 direct-feed	3 direct-feed
Wash levels	6-towerless	6-towerless	6-towerless
Water filtration	100% triple with ExtraFine™ filter	100% triple with ExtraFine filter	100% triple with ExtraFine filter
Dual pumps and motors	●	●	●
Hard food disposer	Piranha™	Piranha	Piranha
Sensor	CleanSensor	CleanSensor	CleanSensor
Automatic temperature control	●	●	●
Rinse aid dispenser	w/indicator and adjustment	w/indicator & adjustment	w/indicator & adjustment
Electronic controls	Light-touch, hidden controls	Light-touch	Light-touch, hidden controls
Cycle progress indicators	1 "Clean" light, 1 "Sanitized" light	1 "Clean" light, 1 "Sanitized" light	1 "Clean" light, 1 "Sanitized" light
Touchpads	Top controls	9	Top controls
Selections/Enhancements	5/5*	5/5*	5/5*
Last cycle memory	●	●	●
Audible end-of-cycle signal	●	●	●
Selections			
Anti-bacterial (NSF**)	●	●	●
Cookware	●	●	●
Normal Wash	●	●	●
China/Crystal	●	●	●
Hand/Gentle	●	●	●
Rinse and hold	●	●	●
Enhancements			
Delay Start	2/4/8-hour	2/4/8-hour	2/4/8-hour
Hi-Temp Wash			Added heat
Hi-Temp Rinse			Auto w/added heat
Temp Boost	●	●	●
Heated Dry	●	●	●
HotStart™	Automatic	Automatic	Automatic
Control lock	●	●	●
Racking			
Maximum capacity nylon racking	Pearlescent™	Pearlescent	Gray
Removable upper rack†	Nylon deep-tiered	Nylon deep-tiered	Nylon deep-tiered
Fold-down tine flexibility	2 lower	2 lower	2 lower
Utility shelves	2 upper with StemSafe	2 upper with StemSafe	2 upper
Silverware basket	3-pc.	3-pc.	1-pc. with 3 cell covers
Hard countertop installation	Included	Included	Included
Door handle	Sculptured	Squeeze	GE Café stainless
DryIndex			
Calrod® heating element	Multi-wattage	Multi-wattage	Multi-wattage
Convection airflow	●	●	●
Fan-assist dry			●
Quiet			
Sound insulation package	QuietPower™48 Thinstall™ with heat-bonded bitumen	QuietPower50 Thinstall with heat-bonded bitumen	QuietPower48 Thinstall with heat-bonded bitumen
Door insulation	Bitumen	Bitumen	Bitumen
ActiveVent system	Concealed-fan-assist	●	Concealed
Tub collar trim	●	●	●
Quiet water valve	●	●	●
Appearance			
Colors available***	SS, WW, BB	SS, WW, BB	SS
Weights & Dimensions			
Height w/legs retracted (in.)	34	34	34
Height w/legs removed (in.)	33-13/16	33-13/16	33-13/16
Overall width (in.)	24	24	24
Overall depth (in.)	24-3/4	24-3/4	24-3/4††
Approx. shipping weight (lbs.)	105	105	N/A-105

*Sensor controlled.
**Certified by National Sanitation Foundation.
***SS = Stainless steel, WW = White on white, CC = Bisque on bisque, BB = Black on black.
†For best results, use shower nozzle attachment (sold separately) when upper rack is removed.
††Subject to change.
‡‡Allow an additional 2.525" for the handle on CDW9380 series model.

	GE Profile
	PDW7880PSS PDW7800PWW PDW7800PCC PDW7800PBB
ENERGY STAR	●
Energy Factor (EF)††	0.68
Features	
Tube and door liner	PermaTuf®
Giant tub	●
Front appearance	Contour door
Upscale flush design	●
Full-length door design	One-piece color wrap
Wash system	BrilliantClean
Wash arms	3 direct-feed
Wash levels	6-towerless
Water filtration	100% triple with ExtraFine filter
Dual pumps and motors	●
Hard food disposer	Piranha
Sensor	CleanSensor
Automatic temperature control	●
Rinse aid dispenser	w/indicator & adjust.
Electronic controls	Light-touch
Cycle progress indicators	Countdown display w/6 status lights
Touchpads	12
Selections/Enhancements	7/6*
Last cycle memory	●
Audible end-of-cycle signal	●
Selections	
Anti-bacterial (NSF**)	●
Cookware	●
Normal Wash	●
Glasses Cycle	●
SpeedCycle (wash & dry)	●
Plastics cycle	●
Rinse and Hold	●
Enhancements	
Delay Start	1-9-hour
Temp Boost	●
PreWash	●
Heated Dry	●
HotStart	Automatic
Control lock	●
Racking	
Maximum capacity nylon racking	White
Adjustable upper rack with CleanTip tines	4-position deep-tiered
Fold-down tine flexibility	4 sets with 2 multi-position, upper; 2 lower
Utility shelves	4 w/StemSafe upper
Silverware basket	1-piece
Hard countertop installation	Included
Door handle	Squeeze
DryIndex	
Calrod heating element	Multi-wattage
Convection airflow	●
Quiet	
Sound insulation package	QuietPower54
Door insulation	Thinstall Plus
ActiveVent system	Mastic and insulation
Tub collar trim	●
Electronic control system	●
Quiet water valve	●
Appearance	
Colors available***	SS, WW, CC, BB
Weights & Dimensions	
Height w/legs retracted (in.)	34
Height w/legs removed (in.)	33-13/16
Overall width (in.)	24
Overall depth (in.)	24-3/4†
Approx. shipping weight (lbs.)	90

*Sensor controlled.
**Certified by National Sanitation Foundation.
***SS = Stainless steel, WW = White on white, CC = Bisque on bisque, BB = Black on black.
†Add 1/2" for deepest part of contour door.
††Subject to change.

GE® clothes care



WCVH6800J GE 4.0 cu. ft.* king-size capacity frontload washer

- ENERGY STAR® qualified
- HydroMotion™ wash action
- HydroHeater™ internal water heater
- Load-sensing adaptive fill
- 5 with sanitize wash/rinse temperatures
- 1100-RPM spin speed
- My Cycle
- QuietBalance™ II suspension system
- 26 wash cycles
- Delay start up to 18 hours



DCVH680EJ/GJ GE 7.0 cu. ft. super capacity frontload dryer

- Sensor Dry Plus™
- 5 custom heat selections
- Multiple dry cycles
- My Cycle
- Cycle countdown display with LED indicators
- Deluxe dryer rack
- Delay start up to 18 hours



*Washes equivalent amount of clothes as 4.0 cu. ft. agitator machine per IEC ratios.



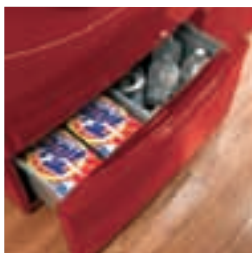
WCVH6400J GE 3.8 cu. ft. king-size capacity frontload washer

- HydroMotion wash action
- HydroHeater internal water heater
- HydroTemp management system
- Load-sensing adaptive fill
- 1000-RPM spin speed
- QuietBalance II suspension system
- 24 wash cycles



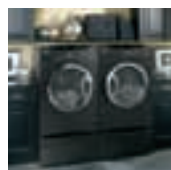
DCVH640EJ/GJ GE 7.0 cu. ft. super capacity frontload dryer

- Sensor Dry Plus
- 5 custom heat selections
- Multiple dry cycles
- Activewear cycle
- Antibacterial cycle
- Deluxe dryer rack
- Delay start up to 18 hours



SBSD137H Pedestal for use with frontload washer and dryer

This optional 13" pedestal raises the door opening and the height of the washer or dryer. Feet on pedestal allow it to adjust to 13-3/8" height.



Side-by-side
with pedestals



Side-by-side



Custom built-in/
custom under-
counter



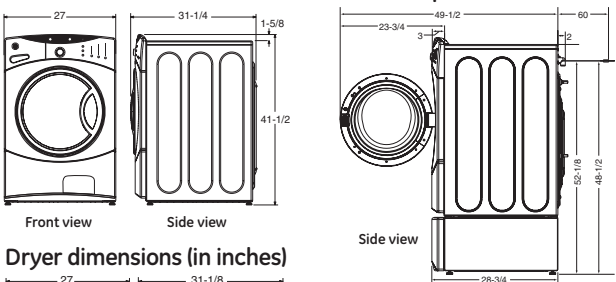
Stacked

GE frontload washers

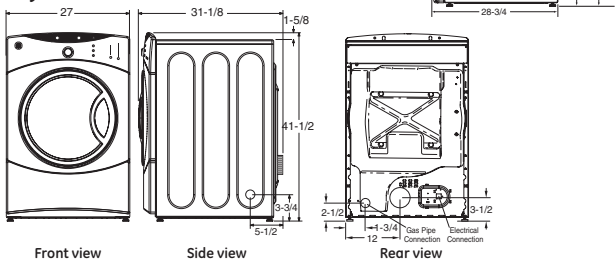
	GE	
	WCVH6800J	WCVH6400J
Capacity		
Capacity	King-size	King-size
Cubic feet	4.0*	3.8*
Features		
ENERGY STAR	●	●
ADA Compliant	●	●
Wash/rinse temperatures	5 with sanitize	5 with sanitize
Water levels	Automatic	Automatic
HydroMotion wash	●	●
HydroHeater	●	●
SudsLogic	●	●
Number of cycles	26	24
Specialty cycles	Active wear	Active wear
Detergent dispenser (liquid/powder)	●	●
Bleach dispenser	●	●
Fabric softener dispenser	●	●
Auxiliary dispenser	●	●
Control type	Electronic	Electronic
End-of-cycle signal	Adjustable	Adjustable
Wash/spin speed combinations	6	6
RPM spin speed	1100	1000
Water temperature system	PerfectTemp™	PerfectTemp
Colors	●	●
Delicates	●	●
Easy Care	●	●
Handwash	●	●
Whites	●	●
Optional soil levels—Extra Light	●	●
Optional soil levels—Heavy Soil	●	●
Optional soil levels—Light Soil	●	●
Optional soil levels—Normal Soil	●	●
2nd rinse	●	●
Adaptive capabilities	Load size	Load size
Cycle countdown	with LED indicators	with LED indicators
Cycle status lights	●	●
Delay start	●	●
Drain and spin	●	●
Prewash	●	●
Speed wash	●	●
Stain wash	●	●
Door style	See-thru glass	See-thru glass
Noise package	Quiet-by-Design™	Quiet-by-Design
Leveling legs	●	●
Stainless steel wash basket	●	●
Handle	TrueGrip™	TrueGrip
Pedestal available at additional cost	●	●
Stacking kit available at additional cost	GEFLSTACK	GEFLSTACK
Appearance		
Colors available**	WW, MR, MS, BB	WW
Weights & Dimensions		
Approx. shipping weight (lbs.)	225	225
Flexible installation	Undercounter, stacked, side-by-side	Undercounter, stacked, side-by-side
Power/Ratings		
Modified Energy Factor (MEF)	2.20	2.20
Water Factor (WF)	4.0	4.0
Circuit breaker or Time-delay fuse	15 or 20 amps	15 or 20 amps
Volts/Hertz	120V; 60Hz	120V; 60Hz

*Washes equivalent amount of clothes as a similar cubic foot agitator machine, per IEC ratings.
**WW = White on white, MR = Metallic red, MS = Metallic silver, BB = Black.

Washer dimensions (in inches)



Dryer dimensions (in inches)



GE frontload dryers

11 31 00/GEQ
BuyLine 5492

	GE	
	DCVH680EJ/GJ	DCVH640EJ/GJ
Capacity		
Capacity	Super	Super
Cubic feet	7.0	7.0
Features		
ADA Compliant	●	●
Moisture sensor	Sensor Dry Plus™	Sensor Dry Plus
Control type	Rotary-electronic with LED indicators	Rotary-electronic with LED indicators
Cycle countdown	●	●
Cycle status lights	●	●
Dual thermistors	●	●
Heat selections	5	5
Number of cycles	Multiple	Multiple
Cotton cycle	●	●
Custom cycle	●	●
Delicate cycle	●	●
Easy Care cycle	●	●
Mixed loads cycle	●	●
Antibacterial cycle	●	●
Optional dryness levels—Damp	●	●
Optional dryness levels—Dry	●	●
Optional dryness levels—Less dry	●	●
Optional dryness levels—More dry	●	●
Timed dry—actual minutes on timer	90	90
Add Time	●	●
Dewrinkle	●	●
Damp dry signal	●	●
Dryer interior light	●	●
Dryer rack	Deluxe	Deluxe
End-of-cycle signal	Adjustable	Adjustable
100% front serviceable	●	●
Door style	See-thru glass	See-thru glass
Drum interior	DuraDrum™	DuraDrum
Leveling legs	●	●
Reverse-a-Door	●	●
Exhaust options (electric/gas)	4/3	4/3
Handle	TrueGrip	TrueGrip
Pedestal available at additional cost	●	●
Appearance		
Colors available*	WW, MR, MS, BB	WW
Weights & Dimensions		
Approx. shipping weight (lbs.) E/G	125/130	125/130
Flexible installation	Undercounter, stacked, side-by-side	Undercounter, stacked, side-by-side

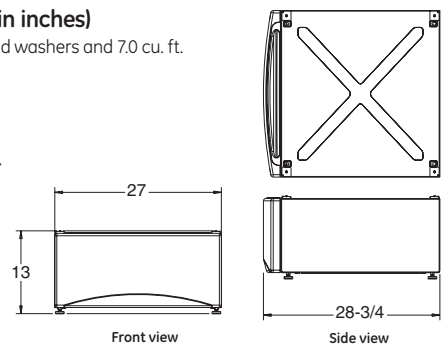
*WW = White on white, MR = Metallic red, MS = Metallic silver, BB = Black.

Pedestal dimensions (in inches)

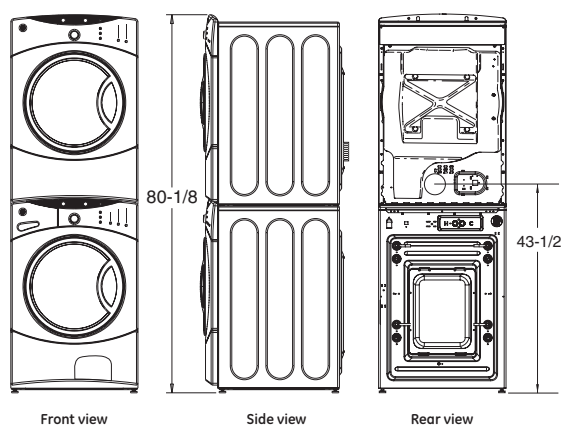
For 4.0 and 3.8 cu. ft. frontload washers and 7.0 cu. ft. frontload dryers.

SBSD137HWW-white
SBSD137HMR-metallic red
SBSD137HMS-metallic silver
SBSD137HBB-black

These optional 13" pedestals raise the door opening and height of the washer or dryer. Feet on 13" pedestal allow it to adjust to 13-3/8" height.



Stacked dimensions (in inches)



GE Profile™ clothes care



WPGT9360E

GE Profile Harmony™ 4.0 cu. ft.* king-size capacity washer

- ENERGY STAR® qualified
- HydroWash™ system with Infusor™
- HydroHeater™ internal water heater
- HydroView™ glass lid
- English/Spanish LCD option
- Direct-drive motor with adaptive spin speed combinations
- Flow-Thru™ dispensing system
- Stain Inspector™ system
- Stainless steel basket
- Adaptive water levels
- 1010-RPM spin speed



*Washes equivalent amount of clothes as 4.0 cu. ft. agitator machine per IEC ratios



DPGT750EC/GC

GE Profile Harmony™ 7.3 cu. ft. king-size capacity dryer

- Specialty cycles
- CleanSpeak™ washer/dryer communication
- English/Spanish LCD option
- Full electronic controls with touchscreen
- DuoDry™ system
- Delicate Cycle with extra-low heat setting
- Stainless steel drum
- 5 heat selections
- Adaptive cool-down
- Wrinkle care extended tumble
- Venting capability of up to 150 ft. of equivalent ducting



WPRE8150H*

GE Profile 3.5 cu. ft. king-size capacity washer

- ENERGY STAR qualified
- HydroWave™ wash system
- RainShower™ rinse system
- Stainless steel ribbed basket
- Rotary electronic controls with Adaptive Logic™ system
- Variable-speed motor and drive system
- LED countdown timer
- Speedwash



DPSE810EG/GG

GE Profile 7.0 cu. ft. super capacity dryer

- Stainless steel drum
- Sensor Dry Plus™
- Dual thermistors
- Rotary electronic controls with Adaptive Logic system
- Delicate cycle with extra-low heat setting
- 20 dry cycles
- 5 heat selections

*Transitions to WPRE8150K in February 2009

GE Profile washers

	GE Profile	
	WPGT9360E	WPRE8150H
Capacity		
Capacity cu. ft.	4.0* King-size	3.5 King-size
Energy		
ENERGY STAR	●	●
Controls		
Electronic	LCD touchscreen display	Rotary
Status indicators	LCD display	LED
Cycle countdown	LCD	LED
Adaptive capabilities	Water levels	Cycle time
HydroWash	●	
HydroWave		●
RainShower rinse system		●
HydroHeater	●	
Water temp system	RightTemp	PerfectTemp™
Wash/rinse temps	4	6
Water levels	Adaptive fill	Variable
Wash system		
Wash basket	Stainless steel	Stainless steel
Wash mechanism	Infusor	GentlePower™ agitator
Wash/spin combinations	Multiple	Multiple
Drive system		
Variable-speed motor	Direct drive	●
Maximum spin speed	1010 RPM	630 RPM
Dispensers		
Bleach	Flow-Thru™ timed	●
Fabric softener	Flow-Thru timed	●
Detergent	Flow-Thru timed	
Wash Boost	Flow-Thru timed	
Signals		
End-of-cycle	Variable	
Wash cycles		
Number of cycles	Multiple	Multiple
Custom cycles	6	
Cycle selections		
Whites/cottons	●	●
Colors	●	●
Dark colors	●	●
Easy care	●	●
Handwash	●	●
Specialty cycles	Multiple	
Program options		
Stain wash	Stain Inspector	
Extra heavy soil	Super clean	
Heavy soil	●	●
Medium soil	●	●
Light soil	●	●
Extra light soil	●	
Special cycles		
Delay start	●	
Speedwash	Quick clean	●
Prewash	●	●
2nd rinse	●	●
Extended spin	●	●
Rinse and spin	●	●
Spin only	●	●
Fabric softener		3
Additional features		
Quiet performance	Supreme	Deluxe
HydroView glass lid	●	
English/Spanish LCD option	●	
Color lid instructions		●
Appearance		
Backsplash color	Platinum or White	Titanium
Colors available**	PL, WW	WT
Weights & Dimensions		
Approx. ship. weight (lbs.)	155	160

*Washes equivalent amount of clothes as 4.0 cu. ft. agitator machine per IEC ratios.

**PL = Dark Platinum, WW = White on white, WT = White on titanium

GE Profile dryers

	GE Profile	
	Electric	Gas
	DPGT750EC	DPSE810EG
	DPGT750GC	DPSE810GG
Capacity		
Capacity cu. ft.	7.3 King-size	7.0 Super
Controls		
Electronic	●	Rotary
Status indicators	LCD	LED
Cycle countdown	LCD	LED
Adaptive logic	●	Cycle time
Heat selections	5	5
Dry system		
Clothing moisture sensor	DuoDry™	Sensor Dry Plus
Temperature sensor	Dual thermistors	Thermistors
Dryer drum	Stainless steel	Stainless steel
Drum baffles	Dark Platinum	White
Dual motors	●	
Signals		
End-of-cycle	Variable	●
Dry cycles		
Number of cycles	Multiple	20
Custom cycles	6	
Cycle selections		
Cottons	●	●
Mixed loads	●	
Easy care	●	●
Knits sweaters	●	●
Delicates	●	●
Specialty cycles	Multiple	
Program options		
More dry	●	●
Dry	●	●
Less dry	●	●
Damp dry	●	●
Timed dry		
Time control	Electronic	80 min.
Special cycles		
Antibacterial cycle		●
Dryer® cycle	●	●
Delay start	●	
Add time option	●	
Dewrinkle	●	●
Quick Fluff (no heat)	●	●
Optional wrinkle care/extended tumble		●
Additional Features		
Quiet performance	Supreme	Deluxe
Quiet drum	●	
Deluxe dryer rack	●	●
Dryer interior light	●	●
Extended venting capability	Up to 150 ft.	
Clean lint filter reminder	●	
English/Spanish LCD option	●	
Reverse-a-Door	●	●
Appearance		
Backsplash color	Platinum or White	Titanium
Colors available*	PL, WW	WT
Weights & Dimensions		
Approx. shipping weight–elec. (lbs.)	155	125
Approx. shipping weight–gas (lbs.)	155	129

*PL = Dark Platinum, WW = White on white, WT = Titanium.

GE makes builders' lives easier.

GE gives you all the tools you need to manage and grow your business.



- An industry-leading company committed to customer satisfaction.
- America's #1 preferred appliance brand.*
- A nationwide network of sales professionals and service technicians wholly dedicated to the builder community. **800.GE.CARES.**

*GE is the appliance brand most often mentioned among the brands rated as offering the best products and services in America. Source: Harris Poll 2006.



- 24-hour accessibility through award-winning technology
 - GECustomerNet.com**
 - GESelectionCenter.com**
 - ge.com**
- GE Answer Center® saves you time by providing answers on product features. **800.626.2000.**



- Project planning made simple with Quick Specs.
- Product features and dimensions are faxed to you FREE, wherever and whenever you need them. **800.432.3729.**

As an ENERGY STAR® partner, GE has determined that the appliances marked with the ENERGY STAR logo meet the ENERGY STAR guidelines for energy efficiency.

Before purchasing an appliance, read important information about its estimated annual energy consumption or energy efficiency rating that is available from your retailer or ge.com.

GE has a policy of continuous improvement of its products and reserves the right to change materials and specifications without notice.

