



catalog of appliances

For more information on GE appliances, visit ge.com.



imagination at work

*100 years of **innovation**
and we're just getting started*

GE Profile™, GE® and Hotpoint® side-by-side refrigerators



PSDS3YGX GE Profile counter-depth 23.2 cu. ft. refrigerator

- ClimateKeeper2™ system
- LED lighting
- Color LCD controls with touch screen and 8 color options
- Integrated dispenser with LED lighting, PreciseFill and UltraFlow₁₀₀
- QuickFreeze setting
- Electronic beverage center
- CustomCool™ technology
- Slide 'n Store™ full-extension freezer baskets (3)



GSS20IET GE 20.0 cu. ft. refrigerator

- External temperature controls with child lock and UltraFlow₆₄
- Sealed vegetable/fruit crisper
- Sealed meat drawer
- Gallon door bins
- Adjustable wire shelves
- FrostGuard™ technology
- AutoEnergy saver



HSS25GFT Hotpoint 25.0 cu. ft. refrigerator

- External electronic temperature controls
- External dispenser with child lock
- Three adjustable glass shelves
- Clear sealed vegetable/fruit crisper
- Four door bins (2 adjustable with gallon storage)
- GE water filtration
- FrostGuard technology
- Deluxe quiet design
- AutoEnergy saver

GE Profile counter-depth side-by-side refrigerator

| | GE Profile PSDS3YGX PSDF3YGX |
|---|---|
| ENERGY STAR® qualified | ● |
| Capacity | |
| Total (cu. ft.) | 23.2 |
| Fresh food (cu. ft.) | 14.55 |
| Freezer (cu. ft.) | 8.61 |
| Shelf area (sq. ft.) | 19.6 |
| Fresh food features | |
| ClimateKeeper system | ClimateKeeper2 |
| Dual evaporator | ● |
| Multi-flow air system | ● |
| Electronic sensors | ● |
| Actual temperature display | ● |
| External controls | 4.3" LCD |
| TurboCool™ setting | ● |
| GE water filtration system | MSWF |
| UltraFlow ₁₀₀ dispenser | Crushed ice, cubes, water |
| Integrated design | ● |
| PreciseFill | ● |
| Light | LED |
| Child lock and door alarm | ● |
| Quick Ice™ feature | ● |
| Water filter indicator light | ● |
| Cabinet shelves | 3 adj. glass |
| Slide-out, spillproof | 2 |
| QuickSpace™ shelf | ● |
| Integrated shelf support system | ● |
| Snuggler™ clips | 1 |
| Freshness Center™ | ● |
| Top drawer | Adj. temp. |
| Middle drawer | Adj. humidity |
| Bottom drawer | CustomCool w/full-extension |
| ClearLook™ door bins | 3 (2 adj.) |
| In-the-door beverage storage | Electronic beverage center |
| BrightSpace™ interior lighting | LED |
| Quiet design | Premium |
| Freezer features | |
| QuickFreeze setting | ● |
| Integrated Ice™ system | ● |
| Wire slide-out baskets | 4 (3 full-ext.) |
| Wire cabinet shelves | 2 |
| Wire tilt-out door bin(s) | 3 (2 adj.) |
| BrightSpace interior lighting | GE Reveal® |
| Exterior | |
| Color(s) available* | SS WW, BB |
| Counter-depth configuration | No panel required |
| Door handles* | Sculptured stainless steel CM sculptured |
| Exterior design | Rounded doors High-gloss rounded doors Case only (gray) |
| Textured steel door and case | Case only |
| Adjustable rollers | All |
| Weights & Dimensions | |
| Height to top of hinge (in.) A | 69-5/8 |
| Height to top of case (in.) B | 68-3/4 |
| Case depth without door (in.) C | 23-7/8 |
| Case depth less door handle (in.) D | 27-1/8 |
| Case depth with door handle (in.) E | 29-5/8 |
| Depth w/fresh food door open 90° (in.) F | 46 |
| Width (in.) G | 35-3/4 |
| Width w/door open 90° w/door handle (in.) H | 41-3/8 |
| | Each side (in.) |
| | 1/8 |
| | Top (in.) |
| | 1 |
| Air clearances | Back (in.) |
| | 1/2 |
| Approx. shipping wt. (lbs.) | 340 |
| Power/Rating | 120V, 60Hz, 15 Amps |

*Color(s) available: SS = Stainless steel, WW = White, BB = Black, CM = Color-Matched.
If installed against a wall, allow clearance of 14" on freezer side to remove bin. Clearance required to remove fresh food full-size pan without disassembling is 18-5/8".
ALL MODELS AVAILABLE IN U.S. AND CANADA.
Energy information available at www.ge.com



Listed by
Underwriters
Laboratories

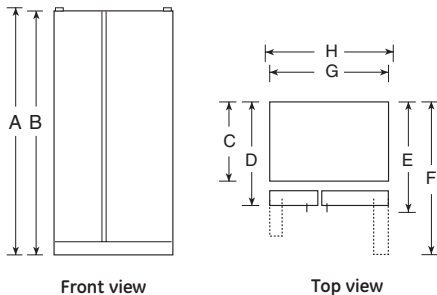
GE Profile french-door refrigerator

11 31 00/GEN
BuyLine 5038

Side-by-side refrigerators

| | GE | Hotpoint |
|--|--------------------------------|--|
| | GSS20IET | HSS25GFT HSM25GFT |
| Capacity | | |
| Total (cu. ft.) | 20.0 | 25.0 |
| Fresh food (cu. ft.) | 12.85 | 15.46 |
| Freezer (cu. ft.) | 7.14 | 9.56 |
| Shelf area (sq. ft.) | 17.3 | 20.3 |
| Fresh food features | | |
| External controls | ● | ● |
| GE water filtration system | | ● |
| Dispenser | Cubes, Water | Crushed ice, cubes, water |
| Light and child lock | ● | ● |
| Cabinet shelves | 2 wire | 3 glass |
| Adjustable | 2 | 3 |
| Vegetable/fruit crisper | | 2 clear |
| 2-stack drawer system | 2 sealed | |
| Door bins | 4 (2 adj. with gallon storage) | 4 (2 adj. with gallon storage) |
| Dairy compartment | ● | Opaque |
| Interior light system | Single-level | ● |
| Quiet design | Deluxe | Deluxe |
| AutoEnergy saver | ● | ● |
| NeverClean™ condenser | ● | ● |
| Freezer features | | |
| FrostGuard technology | ● | ● |
| Factory-installed icemaker and bin | ● | ● |
| Wire cabinet shelves | 4 (3 adj.) | 3 (2 adj.) |
| Storage basket(s) | 1 bin | 1 bin |
| Door shelves | 5 | 5 fixed |
| Interior light | | ● |
| Appearance | | |
| Color(s) available* | WW, BB | WW, CC, BB Silver metallic CM short Black |
| Deluxe door handle(s)* | CM | ● |
| Exterior design | Rounded doors | ● |
| Textured steel door and case | ● | Case only |
| Adjustable rollers | Front | Front |
| Weights & Dimensions | | |
| Height to top of hinge (in.) A | 67-1/2 | 69-3/4 |
| Height to top of case (in.) B | 66-1/2 | 68-3/4 |
| Case depth without door (in.) C† | 28 | 28 |
| Case depth less door handle (in.) D† | 31-1/4 | 31-1/4 |
| Case depth with door handle (in.) E† | 33-5/8 | 33-5/8 |
| Depth w/fresh food door open 90° (in.) F† | 47-3/8 | 49-3/8 |
| Width (in.) G | 31-1/2 | 35-3/4 |
| Width w/door open 90° with door handle (in.) H | 34 | 38-5/8 |
| | Each side (in.) | 1/8 |
| | Top (in.) | 1 |
| Air clearances | Back (in.) | 1 |
| Approx. shipping wt. (lbs.) | 306 | 344 |
| Power/Ratings | ← 120V, 60Hz, 15 Amps → | |

*Color(s) available: SS = Stainless steel, WW = White, CC = Bisque, BB= Black, CM = Color-Matched.
†Water hook-up fits in back air clearance when calculating installation depth.
If installed against a wall, allow clearance of 10-3/4" on 20 cu. ft. models and 14-3/16" on 25 cu. ft. models on freezer side to remove bin.
Clearances required to remove fresh food full-size pan without disassembling are 13-1/2" on 20 cu. ft. and 18-15/16" on 25 cu. ft.
Allow additional space for any necessary leveling adjustments.
ALL MODELS AVAILABLE IN U.S. AND CANADA.



PFSS2MIX
GE Profile 22.2 cu. ft.
French-door refrigerator

- Stainless steel doors with top and bottom bevels
- Internal water dispenser with GE water filtration
- ClimateKeeper system
- Factory-installed icemaker with water filtration system
- BrightSpace interior with GE Reveal lighting
- Freshness Center with 2 adjustable humidity crispers
- Multi-level Slide 'n Store freezer basket system
- Condiment bin and beverage rack
- QuickSpace shelf
- TurboCool setting

GE bottom-freezer refrigerator



GBC12IAX
GE 11.6 cu. ft.
full-door refrigerator

- Stainless steel contoured doors with hidden hinges
- Multi-flow air system
- Upfront electronic temperature controls
- ExpressFreeze bins
- Door alarm
- Adjustable fresh food shelves

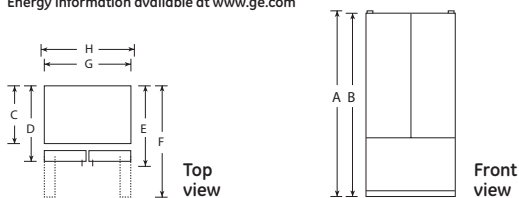
GE top-freezer refrigerators

GE Profile™ and GE® bottom-freezer refrigerators

| | GE Profile | GE |
|--|--|-------------------------|
| | PFS22MIX PFS22MIX | GBC121AX |
| Stainless steel model | ●/- | ● |
| French-door model | ● | |
| Capacity | | |
| Total (cu. ft.) | 22.2 | 11.6 |
| Fresh food (cu. ft.) | 15.5 | 7.5 |
| Freezer (cu. ft.) | 6.7 | 4.2 |
| Shelf area (sq. ft.) | 27.7 | |
| Fresh food features | | |
| ClimateKeeper™ system | ● | |
| Door alarm | ● | ● |
| Internal electronic temperature controls | ● | ● |
| TurboCool™ setting | ● | |
| Cabinet shelves | 4 glass | |
| Adjustable | 4 split | 3 glass |
| Slide-out | 2 | |
| Spillproof | 3 | ● |
| QuickSpace™ shelf | ● | |
| Internal water dispenser | ● | |
| GE water filtration system | GSWF | |
| Water filter indicator light | ● | |
| Freshness Center™ | ● | |
| Crisper drawers | 2 adj. humidity | |
| Vegetable/fruit crisper(s) | | ● |
| Snack drawer | ● | |
| ClearLook™ adjustable door bins | 3 | 4 |
| Fixed door bins | 2 | |
| In-the-door beverage storage | ShelfSaver™ | |
| Snugger clip(s) | 2 | |
| Dairy compartment | ● | |
| BrightSpace™ interior lighting | GE Reveal® | |
| Fresh food interior lighting | | ● |
| Quiet design | Premium | |
| Freezer features | | |
| Factory-installed icemaker & bin | ● | |
| FrostGuard™ technology | ● | |
| ExpressFreeze setting | | ● |
| Multi-level Slide 'n Store™ full-extension freezer baskets | 2 f/w, 1 split | |
| Freezer door bins | | 2 |
| Freezer storage bins | | 3 |
| BrightSpace interior lighting | GE Reveal | |
| Exterior | | |
| Color(s) available* | SS WW/BB | SS |
| Door handle(s) | Sculpt. Stainless steel Sculpt. color-matched | Stainless |
| Exterior design | Contoured w/top & bottom bevels | Contoured w/crown doors |
| Textured steel case | Gray Color-matched | Case only (gray) |
| Door | Stainless High-gloss | Stainless |
| Door stops | ● | ● |
| Choose left or right door opening | | ● |
| Adjustable rollers | Front | |
| Weights & Dimensions | | |
| Height to top of hinge (in.) A | 68-1/2 | 70-7/8 |
| Height to top of case (in.) B | 67-3/4 | 70-7/8 |
| Case depth without door (in.) C † | 28-1/4 | 22 |
| Case depth less door handle (in.) D † | 32-1/2 | 25-1/4 |
| Case depth with door handle (in.) E † | 35 | 26-1/2 |
| Depth w/fresh food door open 90° (in.) F † | 40-5/8 | |
| Width (in.) G | 32-3/4 | 23-1/2 |
| Width w/door open 90° w/door handle (in.) H | 36-1/4 | 46-1/2 |
| | Each side (in.) | |
| | 1/8 | 2 |
| | Top (in.) | 2 |
| Air clearances | Back (in.) | 2 |
| | 1 | 2 |
| Approximate shipping wt. (lbs.) | 315 | 184 |
| Power/Rating | 120V, 60 Hz, 15 Amps | |

*Color(s) available: SS = Stainless steel, WW = White, BB = Black.
†Water hook-up fits in back air clearance when calculating installation depth.

ALL MODELS AVAILABLE IN U.S. AND CANADA.
Energy information available at www.ge.com



GTS21KCX

Icemaker models

GTS21KCX

GE 21.0 cu. ft. refrigerator

GTS21SCX (not shown)

GE 21.0 cu. ft. refrigerator

- Stainless steel exterior

The models above both include:

- Adjustable, spill-resistant glass shelves
- Gallon door bins
- Factory-installed automatic icemaker
- Adjustable humidity vegetable/fruit crispers
- Snack pan
- Upfront temperature controls
- Freezer shelf



GTS18KCP

Icemaker model

GTS18KCP

GE 17.9 cu. ft. refrigerator

- Upfront illuminated temperature controls
- Factory-installed automatic icemaker
- Adjustable spillproof glass shelves
- Adjustable humidity vegetable/fruit crispers
- Adjustable gallon door bins
- Spillproof freezer floor



GTS18KBP

Non-Icemaker models

GTS18KBP

GE 17.9 cu. ft. refrigerator

GTH18KBX (not shown)

GE 17.9 cu. ft. refrigerator

- ENERGY STAR® qualified

The models above both include:

- Upfront illuminated temperature controls
- Adjustable spillproof glass shelves
- Adjustable humidity vegetable/fruit crispers
- Adjustable gallon door bins
- Spillproof freezer floor
- Snack pan
- Freezer step shelf





GTS18HCS

Icemaker model

GTS18HCS

GE 18.2 cu. ft. refrigerator

- Adjustable glass shelves
- Upfront temperature controls
- Factory-installed icemaker
- Clear vegetable/fruit crisper
- Gallon door storage
- Can storage shelf
- NeverClean™ condenser
- Deluxe Quiet design



GTS18DCP

Icemaker models

GTS18DCP

GE 18.0 cu. ft. refrigerator

- Upfront illuminated temperature controls
- Adjustable shelves; 2 wire, 1 glass
- Factory-installed automatic icemaker
- Vegetable/fruit crispers
- Spillproof freezer floor
- Gallon door storage
- NeverClean condenser



GTH18DCX (not shown)

GE 18.0 cu. ft. refrigerator

Similar features and appearance as GTS18DCP, except ENERGY STAR qualified



Non-icemaker models

GTS18DBP (not shown)

GE 18.0 cu. ft. refrigerator

Similar features and appearance as GTS18DCP, except equipped for optional automatic icemaker

GTH18DBX (not shown)

GE 18.0 cu. ft. refrigerator

Similar features and appearance as GTS18DCP, except equipped for optional automatic icemaker; ENERGY STAR qualified



GTS18CCS

Icemaker models

GTS18CCS

GE 18.2 cu. ft. refrigerator

- Upfront temperature controls
- Factory-installed automatic icemaker
- Gallon door storage
- Can storage door shelf
- Vegetable/fruit crispers
- Adjustable wire shelves
- NeverClean condenser

HTS18CCS (not shown)

Hotpoint 18.2 cu. ft. refrigerator

- Upfront temperature controls
- Two full-width adjustable glass shelves
- Two fixed gallon door shelves
- Can storage door shelf
- Two clear vegetable/fruit crispers
- Equipped with factory-installed icemaker
- Clear snack pan
- Deluxe quiet design
- NeverClean condenser

Non-icemaker model

GTS18CBS (not shown)

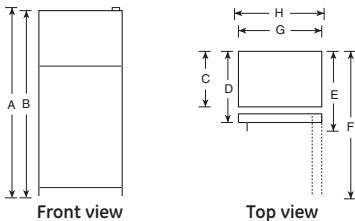
GE 18.2 cu. ft. refrigerator

Similar features as GTS18CCS, except equipped for optional automatic icemaker

Top-freezer refrigerators

| | GE® "K" Series | | | | | GE "D" Series | | GE "C" Series | Hotpoint® |
|---|----------------------|----------------------|-----------------|-------------------|----------------------|------------------------------------|------------------------------------|---------------------------|------------------------------|
| | GTS21SCX GTS21SBX | GTS21KBX GTS21KCX | GTS18KCP | GTS18SBX | GTH18KBX GTS18KBP | GTH18DCX GTS18DCP | GTH18DBX GTS18DBP | GTS18CCS GTS18CBS | HTS18CCS |
| ENERGY STAR® qualified | | | | | ● / - | ● / - | ● / - | | |
| ADA-compliant | | | ● | | ● | ● | ● | | |
| Capacity | | | | | | | | | |
| Total (cu. ft.) | 21.0 | 21.7 | 17.9 | 17.9 | 17.9 | 18.0 | 18.0 | 18.2 | 18.2 |
| Fresh food (cu. ft.) | 14.9 | 15.38 | 12.9 | 12.9 | 12.9 | 12.89 | 12.89 | 13.89 | 13.89 |
| Freezer (cu. ft.) | 6.1 | 6.35 | 5.04 | 5.04 | 5.04 | 5.03 | 5.03 | 4.27 | 4.27 |
| Shelf area (sq. ft.) | 24.5 / 25.5 | 24.9 | 21.7 | 21.7 | 21.7 | 21.8 | 21.8 | 18.9 / 19.8 | 18.9 |
| Fresh food features | | | | | | | | | |
| Upfront temperature controls | Illuminated | Illuminated | Illuminated | Illuminated | Illuminated | Illuminated | Illuminated | ● | ● |
| Cabinet shelves | 4 glass | 4 glass | 4 glass | 4 glass | 4 glass | 2 wire, 1 glass | 2 wire, 1 glass | 2 wire | 2 wire |
| Adjustable | 4 split | 4 split | 4 split | 4 split | 4 split | 1 f/w, 1 split wire, 1 split glass | 1 f/w, 1 split wire, 1 split glass | 2 f/w | 2 f/w |
| Spillproof | 4 (resistant) | 4 | 4 | 4 | 4 | | | | |
| GE water filtration | | 2 clear | | | | | | | |
| Vegetable/fruit crisper(s) | 2 adj. humidity | 2 adj. humidity | 2 adj. humidity | 2 adj. humidity | 2 adj. humidity | 2 white | 2 white | 2 | 2 opaque |
| Snack pan | ● | ● | ● | ● | ● | | | | |
| Adjustable gallon door bins | | 3 | 3 | 3 | 3 | | | | |
| Fixed door bins | 3 (2 with gallon) | 1 (tall bottle) | 1 (tall bottle) | 1 (tall bottle) | 1 (tall bottle) | | | | |
| Door shelves | | | | | | 1 split w/gallon, 2 f/w w/gallon | 1 split w/gallon, 2 f/w w/gallon | 3 f/w, 2 w/gallon storage | 3 fixed (2 w/gallon storage) |
| Dairy compartment | ● | ● | ● | ● | ● | ● | ● | ● | ● |
| Interior light system | ● | Dual | Dual | Dual | Dual | Single | Single | Single | Single |
| Quiet Design | Deluxe | Deluxe | Deluxe | Deluxe | Deluxe | Deluxe | Deluxe | Deluxe | Deluxe |
| NeverClean™ condenser | ● | ● | ● | ● | ● | ● | ● | ● | ● |
| Freezer features | | | | | | | | | |
| Factory-installed icemaker & bin | ● / Opt. (IM4A) | ● / Opt. (IM4A) | ● | Opt. (IM4A) | Opt. (IM4A) | ● | Opt. (IM4A) | ● / Opt. (IM4A) | Ice storage bin only |
| Ice 'N Easy trays | - / 1 | - / 1 | | 1 | 1 | | 1 | - / 1 | |
| Spillproof freezer floor | | | ● | ● | ● | ● | ● | | |
| Wire freezer compartment shelves | 1 f/w (2 pos.) | 1 f/w (2 pos.) | Step | Step | Step | Step | Step | | |
| Adjustable door bins | 1 | 1 | | | | | | | |
| Fixed door shelves | 2 f/w | 2 f/w | 2 split (1 f/w) | 2 split (1 f/w) | 2 split (1 f/w) | 2 f/w | 2 f/w | 2 | 2 |
| Interior light | ● | ● | ● | ● | ● | | | | |
| Exterior | | | | | | | | | |
| Color(s) available* | SS | WW, BB | WW, BB | SS | WW, CC, BB | WW | WW, CC, BB | WW, CC, BB | WW, CC |
| Door handle(s)* | Tubular SS | CM | CM | Tubular SS | CM | CM | CM | CM | CM |
| Customer-installed handles | ● | ● | ● | ● | ● | ● | ● | ● | ● |
| Exterior design | Rounded doors | Rounded doors | Rounded doors | Rounded doors | Rounded doors | Rounded doors | Rounded doors | Squared doors | |
| Textured steel door and case | Case only (black) | ● | ● | Case only (black) | ● | ● | ● | ● | ● |
| Reversible doors | ● | ● | ● | ● | ● | ● | ● | ● | ● |
| Choose right or left door opening | | | | | | ● | ● | ● | ● |
| Adjustable rollers | Front | Front | Front | Front | Front | Front | Front | Front | Front |
| Weights & Dimensions | | | | | | | | | |
| Height to top of hinge (in.) A | 66-3/4 | 66-3/4 | 66-5/8 | 66-5/8 | 66-5/8 | 66-5/8 | 66-5/8 | 67-3/8 | 67-3/8 |
| Height to top of case (in.) B | 66 | 66 | 66-1/8 | 66-1/8 | 66-1/8 | 66-1/8 | 66-1/8 | 66-7/8 | 66-7/8 |
| Height to mid-freezer (in.) | 55 | 55 | 53-15/16 | 53-15/16 | 53-15/16 | 53-15/16 | 53-15/16 | 57 | 57 |
| Case depth without door (in.) C | 27 | 27 | 27-1/2 | 27-1/2 | 27-1/2 | 27-1/2 | 27-1/2 | 26-3/4 | 26-3/4 |
| Case depth less door handle (in.) D | 30-1/2 | 30-1/2 | 30-1/4 | 30-1/4 | 30-1/4 | 30-1/4 | 30-1/4 | 30-1/2 | 30-1/2 |
| Case depth with door handle (in.) E | 31-3/4 | 31-3/4 | 32-1/2 | 32-1/2 | 32-1/2 | 32-1/8 | 32-1/8 | 32-3/8 | 32-3/8 |
| Depth with fresh food door open 90° (in.) F | 60-3/4 | 60-3/4 | 58-1/8 | 58-1/8 | 58-1/8 | 58-1/8 | 58-1/8 | 56-3/8 | 56-3/8 |
| Width (in.) G | 32-3/4 | 32-3/4 | 29-1/2 | 29-1/2 | 29-1/2 | 29-1/2 | 29-1/2 | 28 | 28 |
| Width w/door open 90° w/door handle (in.) H | 36-1/2 | 36-1/2 | 32 | 33-3/8 | 32 | 32 | 32 | 30-3/4 | 30-3/4 |
| Each Side (in.) | 1/8 | 1/8 | 1/8 | 1/8 | 1/8 | 1/8 | 1/8 | 3/4 | 3/4 |
| Back (in.) | 1/2 | 1 | 1 | 1 | 1 | 1 | 1 | 1 | 1 |
| Air clearances Top (in.) | 1/2 | 1 | 1 | 1 | 1 | 1 | 1 | 1 | 1 |
| Approx. shipping weight (lbs.) | 219 | 219 | 231 | 245 | 231 | 228 | 223 | 178 | 226 |
| Power/Rating | 120V, 60Hz, 15 Amps | | | | | | | | |

*Color(s) available: SS = Stainless steel, WW = White, CC = Bisque, BB = Black, CM = Color-Matched.
ALL MODELS AVAILABLE IN U.S. AND CANADA.



GE Profile™ slide-in electric range

GE and Hotpoint free-standing electric ranges

11 31 00/GEN
BuyLine 5038



JS900

GE Profile 30" CleanDesign™ electric range



- Self-clean oven
- 6"/9" dual element
- Super-large oven capacity
- TrueTemp™ system
- Ribbon heating elements
- Ceramic-glass cooktop



JBP80

GE 30" range

- Self-clean oven
- Super-large, 5.3 cu. ft. oven capacity
- TrueTemp system
- 9"/12" dual element
- 6"/9" PowerBoil™ element
- Warming zone
- QuickSet IV oven controls
- Self-clean, heavy-duty oven racks



JBP66SM

GE 30" range

- Self-clean oven
- Super-large, 5.3 cu. ft. oven capacity
- TrueTemp system
- 9"/12" dual element
- Ceramic glass cooktop
- QuickSet IV oven controls
- Big hearth-shaped window



JBP27DM

GE 30" range

- Self-clean oven
- Super-large, 5.0 cu. ft. oven capacity
- TrueTemp system
- QuickSet IV oven controls
- Coil heating elements
- Big hearth-shaped window



JBP24DM

GE 30" range

- Self-clean oven
- Super-large, 5.3 cu. ft. oven capacity
- QuickSet III oven controls
- Coil heating elements
- Big hearth-shaped window
- Dual element bake



JBS15

GE 30" range



- Standard-clean oven
- Upfront controls
- Super-large oven capacity
- Coil heating elements
- ClearView™ window
- Dual element bake



JBS03M

GE 30" range

- Super-large, 5.3 cu. ft. oven capacity
- Coil heating elements
- Dual element bake
- Chrome visor handle
- Color-matched porcelain door
- CleanWell cooktop system
- Chrome drip bowls
- Six rack positions



RB526H*

Hotpoint 30" range

- Super-large, 5.0 cu. ft. oven capacity
- Two 8" and two 6" plug-in elements
- Color-matched oven door with window
- Designer-style handle
- Electronic clock/timer

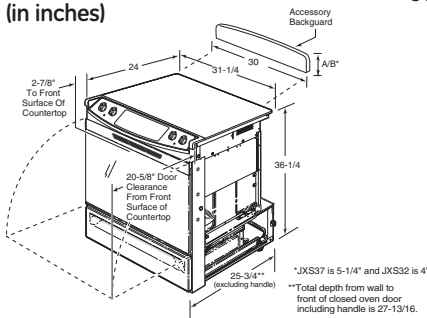
*Transitions to RB526DP in March 2009

30" slide-in electric range

| | GE Profile™ | |
|--|---|------|
| | JS900SK JS900WK JS900CK JS900BK | |
| ADA-compliant | ● | |
| Features | | |
| Capacity (cu. ft.) | 4.4 | |
| Self-clean oven with Delay Clean option | ● | |
| Light self-clean option | ● | |
| Variable cleaning time | ● | |
| Automatic self-clean oven door lock | ● | |
| Oven racks | 2 | |
| TrueTemp™ system | ● | |
| Variable broil/Six-pass broil element | ● | |
| | Patterned black Patterned white Patterned bisque Patterned black | |
| Ceramic-glass cooktop | ● | |
| Overhanging cooktop | ● | |
| 6"/9" dual element | 1 ribbon (2500W) | |
| 8" heating elements | 2 ribbon (2000W) | |
| 6" heating element | 1 ribbon (1500W) | |
| Infinite heat controls | ● | |
| SmartSet controls | ● | |
| Temperature display | ● | |
| Delay bake option | ● | |
| C* or F* programmable | ● | |
| Audible preheat signal | ● | |
| Auto oven shut-off w/override | ● | |
| Control lock capability | ● | |
| Electronic clock/kitchen timer | ● | |
| Hot surface indicator lights | 4 | |
| Heating element "ON" indicator light | ● | |
| Certified Sabbath mode | ● | |
| Interior oven light | ● | |
| | Stainless White Bisque Black | |
| Storage drawer | ● | |
| Appearance | | |
| | SS WW CC BB | |
| Color appearance* | Stainless White Bisque Black | |
| Frameless glass oven door* | ● | |
| Oven door with window | Big ClearView™ | |
| Dishwasher-safe knobs | ● | |
| Oven door handle | Sculptured stainless Sculptured white Sculptured bisque Sculptured black | |
| Storage drawer handle | Sculptured stainless Recessed white Recessed bisque Recessed black | |
| Weights & Dimensions | | |
| Overall oven interior dimensions (WxHxD in inches) | 24 x 17-1/2 x 18-1/4 | |
| Approx. shipping wt. (lbs.) | 181 | |
| Power/Ratings | | |
| KW rating @ | 240V | 11.6 |
| | 208V | 8.7 |
| Amps @ | 240V | 40 |
| | 208V | 40 |
| Broiler/Bake wattage | 3600/3400 | |

*SS = Stainless steel, WW = White with white glass door, CC = Bisque with bisque glass door, BB = Black with black glass door.

30" slide-in range dimensions (in inches)

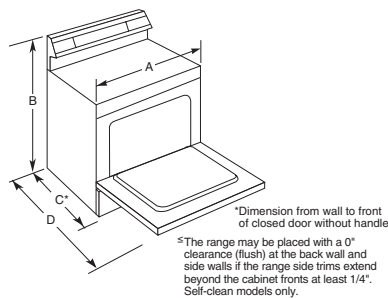


30" free-standing electric ranges

| | GE® | | | | Hotpoint® | | |
|--|--|--|-----------------------------|--|---------------------------|----------------------|----------------------|
| | JBP80SM JBP80TM JBP80DM | JBP66SM JBP66DM JBP66MN | JBP27DM | JBP24DM | JBS15M | JBS03M | RB526H |
| ADA-compliant | ● | | | | | | |
| Features | | | | | | | |
| Oven cleaning | Self-clean | Self-clean | Self-clean | Self-clean | Standard-clean | Standard-clean | Standard-clean |
| Self-clean latch | ● | ● | | | | | |
| Oven capacity (cu. ft.) | 5.3 | 5.3 | 5.0 | 5.3 | 5.0 | 5.0 | 5.0 |
| Oven racks | 2 heavy-duty | 2 | 2 | 2 | 2 | 2 | 2 |
| | Black True white, True bisque Bisque, Black | Black Pat. white, Pat. bisque, Black Black | | | | | |
| Ceramic-glass cooktop | ● | | | | | | |
| Porcelain cooktop | ● | | | | | | |
| One-piece upswept cooktop | ● | | | | | | |
| 97/12" dual element | 1 (3000W) | 1 (3000W) | | | | | |
| | 1 PowerBoil™ (3000W) | | | | | | |
| 6"/9" dual element | | 1 (2000W) | 2 (5 turns) | 2 (5 turns) | 1 (5 turns) | 1 (5 turns) | 2 |
| 8" heating elements | | 2 (1500W) | 2 (4 turns) | 2 (4 turns) | 3 (3 turns) | 3 (3 turns) | 2 |
| 6" heating elements | | 1 (120W) | | | | | |
| 6" warming zone | | | | | | | |
| Melt/Simmer | ● | ● | | | | | |
| Infinite heat controls | ● | ● | ● | ● | ● | ● | ● |
| Plug-in Calrod® heating elements | | | ● | ● | ● | ● | ● |
| | | | Chrome, Chrome, Black | Chrome, Black | Chrome | Chrome | Chrome |
| Removable one-piece drip bowls | ● | | | | | | |
| Self-clean oven racks | ● | | | | | | |
| TrueTemp system | ● | | | | | | |
| Six-pass power bake element | ● | | | | | | |
| Convenience controls | ● | | | | | | |
| QuickSet oven controls | QuickSet IV | QuickSet IV | QuickSet IV | QuickSet IV | | | |
| Digital temperature display | ● | ● | ● | ● | | | |
| Electronic oven controls | ● | ● | ● | ● | | | |
| Auto oven shut-off | w/override | w/override | w/override | w/override | | | |
| Delay bake | ● | ● | ● | ● | | | |
| Oven light pad | ● | ● | ● | ● | | | |
| Delay clean option | ● | ● | ● | ● | | | |
| Self-clean cool down time display | ● | ● | ● | ● | | | |
| Audible preheat signal | ● | ● | ● | ● | | | |
| Certified Sabbath mode | ● | ● | ● | ● | | | |
| Clock and minute timer | ● | ● | ● | ● | | | ● |
| Dual element bake | ● | ● | ● | ● | ● | ● | |
| Hot surface lights | Cooktop | Cooktop | | | | | |
| Interior oven light | Pad | Pad | Pad | Pad | Switch | Switch | Switch |
| Storage drawer | ● | ● | ● | ● | ● | ● | ● |
| Appearance | | | | | | | |
| | SS WW, CC CC, BB | SS WW, CC, BB CS | WW, CC, BB | WW, BB | WW | WH | WW, CC |
| Color appearance* | | | | | | | |
| Frameless glass oven door* | Stainless steel White, Bisque Bisque, Black | Stainless steel White, Bisque Black CleanSteel™ | White, Bisque, Black | White, Black | Porcelain CM ClearView | Porcelain CM | Porcelain CM |
| Oven door with window | Big hearth | Big hearth | Big hearth | Big hearth | | | ● |
| Designer-style handle | ● | ● | ● | ● | ● | Visor | ● |
| | Stainless steel Recessed Recessed Recessed | Stainless steel Recessed Recessed | | | | | |
| Storage drawer handle | | | | | | | |
| Weights & Dimensions | | | | | | | |
| Overall oven interior dimensions (WxHxD in inches) | 24-1/8 x 19-1/2 x 19-3/8 | 24-1/8 x 19-1/2 x 19-3/8 | 24 x 19 x 19 | 24-1/8 x 19-1/2 x 19-3/8 (WW) 24-1/8 x 19-1/2 x 19-1/4 (BB) | 24 x 18-1/2 x 19 | 23-3/4 x 19 x 18-1/2 | 23-3/4 x 19 x 18-1/2 |
| Approx. shipping wt. (lbs.) | 198 | 175 | 172 | 170 | 157 | 141 | 150 |
| Power/Ratings | | | | | | | |
| KW rating @ | 240V | 13 | 11.9 | | 11.7 | 10.2 | 11.5 |
| | 208V | 9.8 | 8.9 | | 8.8 | 7.7 | 8.6 |
| Amp rating @ 240V / 208V | | 40 | 40 | | 40 | 40 | 40 |

*WW = White with white door, CC = Bisque with bisque door, BB = Black with black door, CS = CleanSteel with black accents, WH = White with black door, CM = Color-Matched indicates color of oven door or storage drawer matches range cooktop (either white, black or bisque).

30" free-standing installation information (in inches)



| Model | A | B | C* | D |
|----------|--------|--------|--------|--------|
| JBP80/66 | 29-7/8 | 46-7/8 | 25-3/8 | 47-5/8 |
| JBP27 | 29-7/8 | 46-1/4 | 25-3/8 | 47-3/8 |
| JBP24 | 29-7/8 | 46-7/8 | 25-3/8 | 47-5/8 |
| JBS15/03 | 29-7/8 | 46-1/4 | 26-1/4 | 46-1/4 |
| RB526H | 29-7/8 | 46-1/2 | 26-3/8 | 46-1/4 |

*Dimension from wall to front of closed oven door handle is 27-3/4" on JBP80/66/24; 28-3/4" on models JBP27, JBS15 and JBS07.

Installation Information: Before installing, consult installation instructions packed with product for current dimensional data.



JGBP33DEM
GE 30" range

- Extra-large, self-clean oven
- TrueTemp system
- QuickSet IV oven controls
- Precise Simmer burner
- 13,000 BTU high output burner
- Cast-iron grates
- Sealed cooktop burners



JGBP28DEM
GE 30" gas range

- Extra-large, self-clean oven
- TrueTemp system
- QuickSet III oven controls
- (2) 12,000 BTU high output burners
- Sealed cooktop burners
- Cast-iron grates
- Frameless glass oven door



JGBP27
GE 30" range

- Extra-large, self-clean oven
- Upfront controls
- All-purpose burners
- Sealed cooktop burners
- Frameless glass oven door
- Big hearth-shaped window
- Deluxe grates



JGBS07DEM
GE 30" range

- Extra-large, standard-clean oven
- All-purpose burners
- Standard grates
- Porcelain oven door
- ClearView window

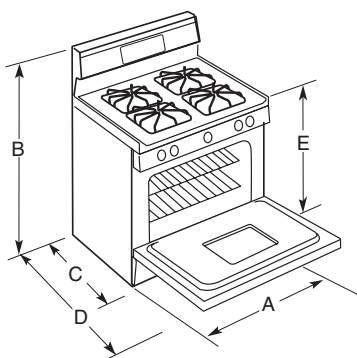
GE® free-standing gas ranges

30" self-clean gas ranges

| GE | | | |
|--|---|---|--------------------------|
| Sealed burner models | | | |
| | JGBP33SEM JGBP33DEM | JGBP28SEM JGBP28MEM JGBP28DEM | JGBP27DEM |
| ADA-compliant | | | ● |
| Capacity | | | |
| Extra-large oven | 4.8 cu. ft. | 4.8 cu. ft. | 4.8 cu. ft. |
| Features | | | |
| Oven cleaning | Self-clean | Self-clean | Self-clean |
| Cooktop burners | Sealed | Sealed | Sealed |
| High output burner | (1) 13,000/ 1,000 BTU | (2) 12,000/ 1,000 BTU | |
| Precise Simmer burner (Nat.) | (1) 5,000/600 BTU | (1) 5,000/600 BTU | |
| All-purpose burners (Nat.) | (2) 9,500/850 BTU | (1) 9,500/850 BTU | (4) 9,500/850 BTU |
| Valves (degree of turn) | 270 | 270 | 140 |
| TrueTemp™ system | ● | ● | |
| Electronic controls | ● | ● | |
| QuickSet oven controls | QuickSet IV | QuickSet III | |
| Delay Bake | ● | | |
| Auto self-clean | ● | ● | |
| Electronic clock and timer | ● | ● | |
| Automatic oven timer | ● | | |
| Audible preheat signal | ● | ● | |
| Auto oven shut-off | ● | ● | |
| Certified Sabbath mode | ● | ● | |
| One-piece upswept cooktop | Porc.-enam. | Porc.-enam. | Porc.-enam. |
| Porcelain-enameled one-piece drip pans | Black Grey Taupe Black | Opt. access. | Opt. access. |
| Removable grates | Black cast-iron Grey cast-iron Taupe cast-iron Black cast-iron | Black cast-iron Grey cast-iron Taupe cast-iron Black cast-iron | Grey dlx. porc.-steel |
| Square grates | ● | ● | ● |
| Ignition system | Electronic | Electronic | Electronic |
| Oven racks | 3 | 2 | 2 |
| Six embossed rack positions | ● | ● | ● |
| Scratch-resistant backguard | Porc.-enam. | Porc.-enam. | Porc.-enam. |
| Interior oven light | ● | ● | ● |
| Storage drawer | ● | ● | ● |
| In-oven broiling | ● | ● | ● |
| Appearance | | | |
| Color appearance* | SS/WW/CC/BB | SS/BS/WW/BB/ | WW |
| Frameless oven door | Stainless steel White glass Bisque glass Black glass | Stainless steel CleanSteel™ White glass Black glass | White glass |
| Oven door with window | Big hearth | Big hearth | Big hearth |
| Designer-style handle | ● | ● | ● |
| Weights & Dimensions | | | |
| Overall oven interior dimen. (WxHxD in inches) | ← 24 x 18-1/2 x 19 → | | |
| Approx. shipping wt. (lbs.) | 210 | 210 | 210 |
| Power/Ratings | | | |
| Top burners (000's BTUs) Nat/LP | (1) 13.0/11.0 (1) 5.0/5.0 (2) 9.5/9.5 | (2) 12.0/11.0 (1) 9.5/9.5 (1) 5.0/5.0 | (4) 9.5/9.5 |
| Oven/broiler burners (000's BTUs) Nat/LP | ← 16.0/16.0 Oven 12.5/12.0 Broil → | | |
| Gas range electrical rating | ← 120V, 60Hz, 5A → | | |
| LP conversion kit (incl.) | ● | ● | ● |

*SS = Stainless steel (with black/metallic accents on select models), BS = CleanSteel with black accents, WW = White with white glass door, CC = Bisque with bisque glass door, BB = Black with black glass door.

Factory set for Natural Gas. A set of LP orifices is included with each range for LP conversion.



| Model | A | B | C* | D | E |
|--------|----|--------|---------|--------|------------|
| JGBP33 | 30 | 46-7/8 | 26-1/4 | 46-3/8 | 36-1/4±1/4 |
| JGBP28 | 30 | 46-1/8 | 26-1/4 | 46-3/8 | 36-1/4±1/4 |
| JGBP27 | 30 | 46-1/8 | 26-1/4 | 46-3/8 | 36-1/4±1/4 |
| JGBS07 | 30 | 46-7/8 | 25-5/16 | 46-1/4 | 36-1/4±1/4 |

*Dimension from wall to front of closed door handle is 29" on models JGBP33/28/27 and JGBS07. Depth to front edge of cooktop is 25-1/4".

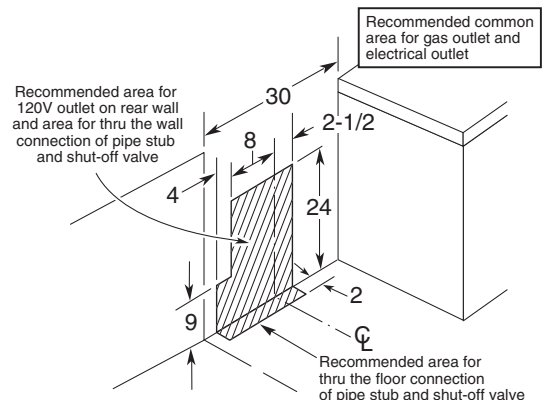
30" standard-clean gas range

| GE | |
|--|--|
| Standard burner model | |
| JGBS07DEM | |
| ADA-compliant | ● |
| Capacity | |
| Extra-large oven capacity | 4.8 cu. ft. |
| Features | |
| Oven cleaning | Standard-clean |
| Cooktop burners | Std./twin |
| All-purpose burners (Nat.) | (4) 9,100/850 BTU |
| Valves (degree of turn) | 140 |
| Porcelain-enameled cooktop | ● |
| Lift-up cooktop | ● |
| Easy-clean porcelain-enameled subtop | ● |
| One-piece drip pans | Opt. access. Grey/Taupe/Black standard porcelain-steel |
| Removable square grates | Electronic |
| Ignition system | 2 |
| Oven racks | ● |
| Six embossed rack positions | ● |
| One piece broiler pan | ● |
| Porcelain-enameled backguard | ● |
| Interior oven light | ● |
| Broiler drawer | ● |
| Appearance | |
| Color appearance* | WW/CC/BB White/Bisque/Black porc.-enam. ClearView |
| Frameless oven door | ● |
| Oven door with window | ● |
| Designer-style handle | ● |
| Weights & Dimensions | |
| Overall oven interior dimen. (WxHxD in inches) | 24 x 18-1/2 x 19 |
| Approx. shipping wt. (lbs.) | 165 |
| Power/Ratings | |
| Top burners (000's BTUs) Nat/LP | (4) 9.1/8.0 |
| Oven/broiler burners (000's BTUs) Nat/LP | 18.0/16.5 |
| Gas range electrical rating** | 120V, 60Hz, 5A |
| LP conversion kit (included) | ● |

*WW = White with white door, CC = Bisque with bisque door, BB = Black with black door.

**Electrical rating not applicable to standing pilot models.

Factory set for Natural Gas. A set of LP orifices is included with each range for LP conversion.





RGB533* Hotpoint 30" range

- Extra-large, standard-clean oven
- Sealed cooktop burners
- Performance Plus burner
- Simmer 600 burner
- Frameless glass oven door with window
- Electronic clock/timer

*Transitions to RGB533DEP in March 2009.



RGB524PEH Hotpoint 30" range

- Extra-large, standard-clean oven
- Solid color-matched porcelain-enameled oven door
- Slide-out broiler drawer
- Electronic pilotless ignition

RGB524PPH (not shown) Hotpoint 30" range

- Same features as RGB524PEH, except with standing-pilot ignition system

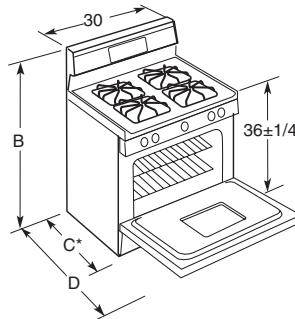


30" Capacity Plus™ gas ranges

| | Hotpoint | |
|--|--|------------------------------------|
| | RGB533WEH RGB533CEH RGB533BEK | RGB524PEH RGB524PPH |
| ADA-compliant | | • |
| Capacity | | |
| Extra-large oven | • | • |
| Features | | |
| Oven cleaning | Standard-clean | Standard-clean |
| Cooktop burners | Sealed | Twin |
| Performance Plus burner (Nat.) | (1) 12,000/ 1,000 BTU | |
| Simmer 600 burner (Nat.) | (1) 5,000/ 600 BTU | |
| All-purpose sealed burners (Nat.) | (2) 9,500/ 850 BTU | (4) 9,100/ 850 BTU |
| Oven controls | Electronic clock/ timer | Knob |
| Porcelain-enameled cooktop | Upswept | • |
| Lift-up cooktop | | • |
| Easy-clean subtop | | • |
| Valves (degree of turn) | 270° | 140° |
| Removable drip pans | Opt. access. | Opt. access. |
| Removable square grates | Grey Taupe Black | Black |
| Ignition system | Electronic | Electronic Pilot Standing Pilot |
| Oven racks | 2 | 2 |
| Six embossed rack positions | • | • |
| Interior oven light | • | |
| In-oven broiling | | |
| Slide-out broiler drawer | • | • |
| Removable storage drawer | | |
| Appearance | | |
| Color appearance* | WW CC BB | WH/CT WH/CT |
| Frameless oven door | White glass Bisque glass Black glass | Solid CM* Porc.-Enam. |
| Oven door with window | • | |
| Handle style | Designer-style | Visor |
| Removable oven door | • | • |
| Weights & Dimensions | | |
| Overall oven interior dimensions (WxHxD in inches) | ← 24 x 18-1/2 x 19 → | |
| Approx. shipping wt. (lbs.) | 185 | 147 |
| Power/Ratings | | |
| Gas range electrical rating | 120V, 60 Hz, 5A | |
| Top burners† (000's BTU's) Nat/LP | (1) 12.0/ 11.0 (1) 5.0/ 5.0 (2) 9.5/ 9.5 | (4) 9.1/8.0 |
| Oven/broiler burners† (000's BTU's) Nat/LP | ← 18.0/16.5 → | |
| Accessories | | |
| LP conversion kit | • | • |

* WW = White with white door, CC = Bisque with bisque door, BB = Black on black, WH = White with black door, CT = Bisque with black door, CM = Indicates color of oven door matches range cooktop (either white or bisque).

**Electrical rating not applicable to standing pilot models.
Factory set for Natural Gas. A set of LP orifices is included with each range for LP conversion.

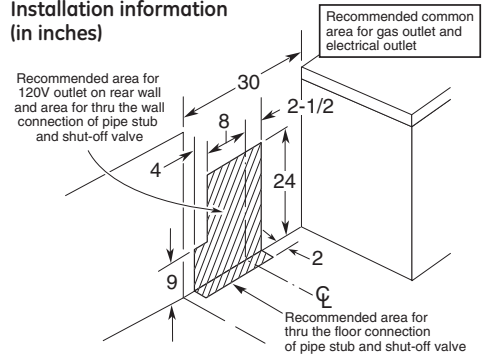


Dimensions (in inches)

| Model | B Height | C* Depth | D Depth with door open |
|--------|-------------|-------------|------------------------------|
| RGB533 | 46-1/2 | 26-1/4 | 46-3/8 |
| RGB524 | 44 | 26-1/2 | 46-3/8 |

*Depth from wall to front of closed oven door.

Installation information (in inches)



GE Profile™ and GE® built-in cooktops



JGP933SEK GE Profile 30" gas cooktop

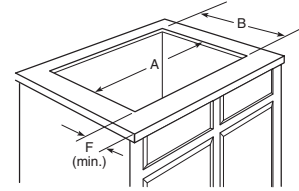
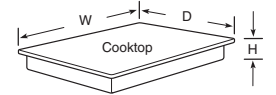


- Deep recessed cooktop
- Sealed cooktop burners
- PowerBoil™ 15,000 BTU burner
- Precise Simmer burner
- Continuous grates
- Dishwasher-safe grates and knobs

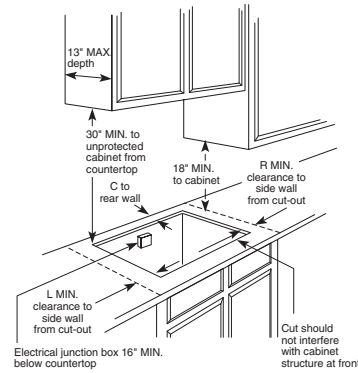
30" built-in gas cooktop

| GE Profile | |
|--|---|
| JGP933SEK JGP933WEK JGP933CEK JGP933BEK | |
| ADA-compliant | ● |
| Features | |
| Cooktop burners | 4 sealed |
| PowerBoil burner 000's BTUs | (1) 15.0, 180° simmer |
| All-purpose burner(s) 000's BTUs | (1) 11.0, (1) 9.5 150° simmer |
| Precise Simmer burner(s) 000's BTUs | (1) 5.0 140° simmer |
| Electronic pilotless ignition | ● |
| Cooktop surface | Deep stainless Deep porcelain |
| Cooktop grates | Matte black deluxe-cast Grey deluxe-cast Taupe deluxe-cast Black deluxe-cast |
| Continuous grates | ● |
| Dishwasher-safe grates and knobs | ● |
| Control panel | Stainless White Bisque Black |
| Controls | Right side |
| Appearance | |
| | SS WW CC BB |
| Color appearance* | |
| Weights & Dimensions | |
| Cooktop width (in inches) | 30 |
| Approx. shipping wt. (lbs.) | 45 |
| Features | |
| Gas cooktop electrical rating | 120V, 60Hz, 5A (1) 15.0/13.0 (1) 11.0/10.0 (1) 9.5/9.1 (1) 5.0/5.0 |
| Burners (000's/BTU's): Natural Gas/LP Gas † | |

*SS = Stainless Steel, WW = White on white, CC = Bisque on bisque, BB = Black on black.
†A set of LP orifices is included with each cooktop for LP conversion. Factory set for natural gas.



| Model | Overall | | | Cutout | | To edge of front counter (min.) |
|--------|---------|----|--------|--------|--------|---------------------------------|
| | W | D | H | A | B | F |
| JGP933 | 30 | 21 | 3-3/16 | 28-1/2 | 19-5/8 | 2-1/2 |



| Model | Minimum spacing to nearest combustible wall | | |
|--------|---|-------|---|
| | C | L | R |
| JGP933 | 2-1/4 | 3-3/4 | 6 |



JP346 GE 30" electric CleanDesign™ cooktop



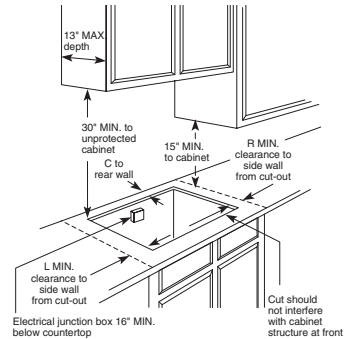
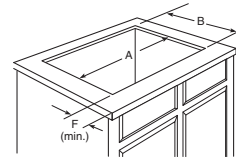
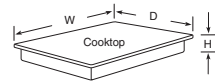
- Ceramic-glass cooktop
- Ribbon heating elements
- Melt setting
- 8" PowerBoil element
- Frameless design
- Hot surface indicator light
- Dishwasher-safe knobs

30" electric CleanDesign cooktop

| GE | |
|--|---|
| JP346SM JP346WM JP346CM JP346BM | |
| ADA-compliant | ● |
| Features | |
| Ceramic-glass surface | Pattern_black Pattern_white Pattern_bisque Pattern_black |
| Number of elements | 4 ribbon |
| 12" heating elements | 1 ribbon (2700W) |
| 8" heating elements | 1 PowerBoil (2500W) |
| 6" heating elements | 2 ribbon (1200W) |
| Melt setting | ● |
| Hot surface indicator lights | 1 |
| Dishwasher-safe knobs | ● |
| Appearance | |
| | SS WW CC BB |
| Color appearance* | SS/WW/CC/BB |
| Frameless | SS/WW/CC/BB |
| Weight & Dimensions | |
| Cooktop width (in inches) | 30 |
| Approx. shipping wt. (lbs.) | 37 |
| Power/Ratings | |
| KW rating @ 240V | 7.6 |
| 208V | 5.7 |
| 240V | 4.0 |
| Amps @ 208V | 30 |

*SS = Stainless Steel, WW = White on white, CC = Bisque on bisque, BB = Black on black.

Dimensions (in inches)



| Model | Overall | | | Cutout | | To edge of front counter (min.) |
|---------------|---------|--------|-------|--------|--------|---------------------------------|
| | W | D | H | E | F | G |
| JP346WM/CM/BM | 29-3/4 | 21-3/8 | 3-1/4 | 28-1/2 | 19-5/8 | 2-1/2 |
| JP346SM | 29-7/8 | 21-1/2 | 3-1/4 | 28-1/2 | 19-5/8 | 2-1/2 |



JV348L/347H
GE 30" deluxe hood

- Convertible venting—vented/non-vented
- Vertical or rear exhaust
- Variable three-speed fan control
- Cooktop light
- Removable grease filter
- Round or rectangular ducting



JN327H
GE 30" standard hood

- Non-vented
- Vertical or rear exhaust
- Variable two-speed fan control
- Cooktop light
- Removable grease filter
- Round or rectangular ducting

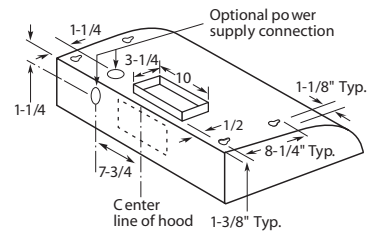
Hoods

| | GE | |
|-----------------------------------|--------------------------|--------------------------|
| | Deluxe | Standard |
| 30" Width | JV348L JV347H | JN327H |
| Features | | |
| Two-speed fan control | | • |
| Three-speed fan control | • | |
| Vertical exhaust (CFM) | 200 | |
| Rear exhaust (CFM) | 180 | |
| Damper included (rectangular) | • | |
| Optional damper accessory (round) | JXDA22 | |
| Sones rating: | | |
| Top exhaust | 6.0 | |
| Rear exhaust | 7.0 | |
| Removable grease filters | Disposable 1-pc. filter† | Disposable 1-pc. filter† |
| Filter size (sq. in.) | 90 | 90 |
| Cooktop light(s)* | 1 | 1 |
| 3-1/4" x 10" rectangular duct | • | |
| 7" round duct | • | |
| Non-vented | optional | • |
| Appearance | | |
| Color appearance** | SS WW/CC/BB | WW/CC/BB |
| Weights & Dimensions | | |
| Approx. shipping wt. (lbs.) | 20 | 19 |
| Power/Ratings | | |
| Current rating amps @ 120V | 20 | 2.5 |

*Light bulbs not furnished. Light cover not included on JN327H.
**SS = Stainless steel, WW = White on white, CC = Bisque on bisque, BB = Black on black.
† WB02X10700 charcoal filter is shipped with models JN327 and JV347. WB2X8391 grease filter is shipped with model JV348 and JV347. Replacement grease filters and replacement charcoal filters (WB02X10700) are available for additional cost. Call toll-free 800.626.2002.

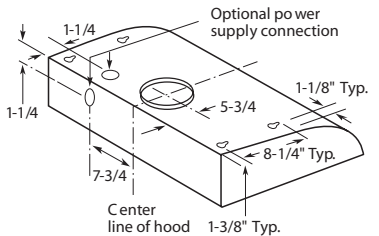
1 Models JV348L and JV347H*

*JV348L and JV347H—Refer to this drawing for rectangular exhaust option. Refer to drawing 2 for round exhaust option. Exhaust outlet connects to 3-1/4" x 10" rectangular duct. Vent top or rear. Includes rectangular damper.



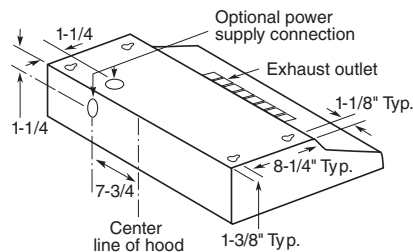
2 Models JV348L and JV347H*

*JV348L and JV347H—Refer to this drawing for round exhaust option. Refer to drawing 1 for rectangular exhaust option. Exhaust outlet connects to 7" diameter duct. Vent top only. Round damper accessory JXDA22 available at additional cost.



Model JN327
Dimensions (in inches)

Exhaust outlet connects to 3-1/4" x 10" rectangular duct. Vent top or rear. Includes rectangular damper.



GE Profile Advantium® above-the-cooktop ovens



SCA2001/2000

GE Profile™ Advantium 240V above-the-cooktop oven

- Speedcook™ technology—up to 8 times faster than a conventional oven
- Speedcook oven
- Sensor microwave oven
- Over 100 preprogrammed recipes
- Auto and Time Defrost
- Grill tray



SCA1001/1000

GE Profile Advantium 120V above-the-cooktop oven

- Speedcook technology—up to 4 times faster than a conventional oven
- Speedcook oven
- Traditional oven*
- Sensor microwave oven
- Warming oven*
- Over 100 preprogrammed recipes
- Auto and Time Defrost

GE Profile, GE® and Hotpoint® microwave ovens



PVM1870DM/SM, PNM1871SM**

GE Profile Spacemaker® 1.8 cu. ft. sensor oven

- 1.8 cu. ft. capacity, 1100 Watts†
- CircuWave™ 1100 cooking system
- Sensor cooking controls
- Melt and 1-lb. Quick Defrost features
- Full-width active hidden vent
- 14-1/4" recessed turntable with On/Off
- Two removable oven racks



JVM1750DM/SM

GE Spacemaker 1.7 cu. ft. sensor oven

- 1.7 cu. ft. capacity, 1000 Watts†
- Sensor cooking controls
- Auto and Time Defrost
- Turntable On/Off
- Two-speed, 300-CFM venting system
- Removable oven rack with two positions
- Full-view cooktop lighting



JEM25DM

GE Spacemaker II™ 1.0 cu. ft. oven

- 1.0 cu. ft. capacity, 800 Watts†
- Optional trim kit†† for built-in installation provides a custom appearance
- Optional hanging kit+ for undercabinet mounting
- Convenience cooking controls
- Auto and Time Defrost
- Turntable On/Off
- Kitchen timer



RVM1535MM/DA**

Hotpoint Counter Saver™ Plus 1.5 cu. ft. microwave oven

- 1.5 cu. ft. cavity, 950 Watts†
- Convenience cooking controls
- Turntable
- Two-speed, 200-CFM venting system
- Auto and Time Defrost

GE Profile Advantium above-the-cooktop ovens

| | | GE Profile | |
|--|---------------------------------------|--|--|
| | | SCA2001KSS SCA2000FWW SCA2000FBB | SCA1001KSS SCA1000HWW SCA1000HCC SCA1000HBB |
| Features | | | |
| Family-size oven | | ● | ● |
| Stainless steel oven interior | | ● | ● |
| Cooking modes | Speedcook | up to 8 times | up to 4 times |
| | Traditional oven | | ● |
| | Microwave oven | ● | ● |
| Oven controls | Warming | | ● |
| | Controls | Dial & buttons | Dial & buttons |
| | Electronic scrolling display | | ● |
| | Preprogrammed menu items | over 100 | over 100 |
| | Help pad | ● | ● |
| | Demo mode | ● | ● |
| | Interior oven light | ● | ● |
| | Beeper sound level control | 4 levels | 4 levels |
| | Variable scroll speed | 5 speeds | 5 speeds |
| | Custom Recipe Saver | ● | ● |
| | Cooking complete reminder | ● | ● |
| | Child lockout | ● | ● |
| | High capacity cooktop vent fan | 2 speed | 2 speed |
| Full-view cooktop lighting | ● | ● | |
| Programmable night light | ● | ● | |
| Microwave oven features | | | |
| Sensor | | ● | ● |
| Defrost | | ● | ● |
| Microwave power output watts | | 950 | 900 |
| 300 CFM vent fan | | ● | ● |
| Appearance | | | |
| | | Stainless steel | Stainless steel |
| Color appearance | | White Black | White Bisque Black |
| New Profile sculptured handle | | ● | ● |
| Weights & Dimensions | | | |
| Overall oven interior dimensions (in inches) | Height | 8-13/32 | 8-7/32 |
| | Width | 18-29/32 | 21-3/32 |
| | Depth | 13-19/32 | 14-3/32 |
| Overall dimensions (in inches) | Exterior height (front) | 16 | 16 |
| | Exterior height (rear) | 16-13/32 | 16-13/32 |
| | Exterior width | 29-7/8 | 29-7/8 |
| | Exterior depth (not including handle) | 15-1/4 | 15-3/8 |
| | Approx. shipping weight (lbs.) | 101 | 95 |
| Power/Ratings | | | |
| Input volt/hertz | | 240V/60Hz | 120V/60Hz |
| Input amps/watts (max) | | 30A/6.3KW-total | 15A/1.7KW-total |
| Accessories | | | |
| Cookbook | | ● | ● |
| Cooking guide | | ● | ● |
| Grill tray | | ● | ● |
| Cooking tray | | ● | ● |
| Microwave tray | | ● | ● |
| Recirculating charcoal filter kit (opt.) | | JX81A | JX81A JX41 JX40WH |
| Filler panel kit (opt.) | | JX41 | JX41 |
| Warranty | | | |
| Limited one-year in-home warranty* | | ● | ● |
| Limited five-year magnetron warranty* | | ● | ● |

*See written warranty for details.

Overall exterior dimensions (in inches)

| Model | W | D | H | H (Rear) |
|-----------------|----------|---------|---------|----------|
| SCA2001/2000 | 29-7/8 | 15-1/4 | 16 | 16-13/32 |
| SCA1001/1000 | 29-7/8 | 15-3/8 | 16 | 16-13/32 |
| PVM1870/PNM1871 | 29-7/8 | 15-1/4 | 16 | 16-13/32 |
| JVM1750 | 29-7/8 | 15-1/4 | 16 | 16-13/32 |
| JEM25 | 23-25/32 | 12-9/32 | 11-3/16 | - |
| RVM1535 | 29-7/8 | 15-9/16 | 15-3/4 | 16-1/2 |

This information is not intended to be used for installing unit described. Before installing, consult installation instructions packed with product/kit for current dimensional data.

GE Profile, GE and Hotpoint microwave ovens

| | GE Profile | GE | | Hotpoint |
|--|-------------------------------------|----------------------------------|--------------------------|---|
| | PVM1870SM PNM1871SM PVM1870DM | JVM1750SM JVM1750DM | JEM25DM | RVM1535MM RVM1535DM |
| Capacity | | | | |
| Oven cavity (cu. ft.) | 1.8 | 1.7 | 1.0 | 1.5 |
| Features | | | | |
| Watts (IEC-705 test procedure) | 1100 | 1100 | 800 | 950 |
| Electronic touch controls | ● | ● | ● | ● |
| SmartControl system w/interactive display | ● | ● | | |
| Scrolling display | 2-line | 1-line | | |
| Clock and AM/PM pad | ● | ● | | ● |
| Variable scroll speed | ● | ● | | |
| Help pad | ● | ● | | |
| Concurrent programming | ● | | | |
| Bilingual display (English/Spanish) | ● | | | |
| Sensor controls | Beverage | ● | | |
| | Chicken/Fish | ● | | |
| | Popcorn | ● | ● | |
| | Potatoes | ● | ● | |
| | Reheat | ● | ● | |
| | Vegetables | ● | ● | |
| | | | | ● |
| Convenience controls | Beverage | | ● | ● |
| | Popcorn | | ● | ● |
| | Reheat | | ● | ● |
| | Snacks | | ● | |
| | Vegetables | | | ● |
| Cook | | | ● | |
| Custom pads | | | | |
| Express Cook (1-6 min.) | ● | ● | ● | ● |
| Instant On controls | ● | ● | ● | ● |
| Time cook | I & II | I & II | I & II | I & II |
| Add 30 seconds | ● | ● | ● | ● |
| Auto/Time defrost | ● | ● | ● | ● |
| 1 lb. Quick Defrost | ● | | | |
| Melt | ● | | | |
| Power levels | 10 | 10 | 10 | 10 |
| Delay Start/Reminder | | ● / ● | ● / ● | ● / - |
| Cooking system | CircuWave 1100 | CircuWave | | |
| Turntable | Recessed | ● | ● | ● |
| Turntable On/Off | ● | ● | ● | ● |
| Interior Lighting | ● | ● | ● | ● |
| Cooktop lighting | ● | ● | | ● |
| Programmable night light | ● | ● | | ● |
| Timer On/Off | ● | ● | ● | ● |
| Cooking complete reminder | ● | ● | ● | ● |
| Child lockout | ● | ● | ● | ● |
| 300-CFM exhaust fan/Boost | 4-speed / ● | 2-speed / - | | |
| Appearance | | | | |
| Color appearance** | SS WW/CC/BB Black Black | SS WW/CC/BB Black Black | WW/BB White/Black | SA WW/CC/BB Black White/Bisque/Black |
| Case color | White/Bisque/Black | White/Bisque/Black | White/Black | White/Bisque/Black |
| Sculptured handle | ● | | | |
| Big view window | ● | | | |
| Weights & Dimensions | | | | |
| Overall oven interior dimensions WxHxD (in inches) | 21-29/32 x 9-1/2 x 14-19/32 | 20-1/4 x 9-1/4 x 14-13/32 | 16-1/2 x 7-7/16 x 11-1/4 | 19-1/3 x 9-3/8 x 13-15/16 |
| Approx. shipping weight (lbs.) | 68 | 67 | 40 | 67 |
| Power/Ratings | | | | |
| Input Volt/Hertz | 120V/60Hz | 120V/60Hz | 120V/60Hz | 120V/60Hz |
| Input Amps/Watts (max) | 15A/1.58KW | 15A/1.58KW | 11.5A/1.3KW | 15A/1.58KW |
| Accessories | | | | |
| Cooking guide label | ● | ● | ● | |
| Oven rack(s) | 2 (2 positions) | 1 (2 positions) | | |
| Recirculating charcoal filter kit (opt.) | JX81B | JX81A | | JX81J |
| Optional hanging kit | | | JXA019K*** | |
| Optional filler panel kit / Built-in kit (optional for 36" installation) | JX52BL JX52BL JX52WH/-/JX52BL | | JX827DMMWW/ JX827DMBB | |
| Warranty | | | | |
| Limited one-year in-home warranty† | ● | ● | ● | ● |
| Limited five-year magnetron warranty | ● | | | |

*Non-vented model.

**SS = Stainless steel, WW = White on white, CC = Bisque on bisque, BB = Black on black, SA = Silver metallic.

***JXA019K is available at additional cost.

†See warranty for details.

GE Profile™ and GE® dishwashers



PDW7880P



PDW7880P GE Profile built-in dishwasher

- Giant tub with 16 place setting capacity nylon racking
- 4-position adjustable upper rack
- 4 utility shelves with StemSafe™
- 2 sets fold-down tines in lower rack
- CleanSensor™
- Countdown display with 1–9-hour Delay Start
- Glasses selection



GLDA696M GE ADA-compliant for height dishwasher

- Bright annealed stainless steel interior
- Low profile installation is great for built-up floors
- 5 wash levels
- 2-digit countdown display with 2/4/8-hour Delay Start
- Electronic controls with 4 cycles/6 options
- Two utility shelves in tiered upper rack with 1 StemSafe
- Nylon racks



GLD4550N GE tall tub built-in dishwasher

- CleanSteel™ full-length flat door
- Electronic controls with 4 cycles/5 options
- Giant tub with up to 15 place setting capacity racking
- 6-level BrilliantClean™ towerless wash system
- HotStart™ option
- China/Crystal cycle
- 100% triple water filtration

GE Profile built-in dishwasher

| | GE Profile |
|---|---|
| | PDW7880PSS PDW7800PW/W PDW7800PCC PDW7800PBB |
| ENERGY STAR® | ● |
| Energy Factor (EF)†† | 0.68 |
| Features | |
| Tub and door liner | PermaTuf® |
| Giant tub | ● |
| Front appearance | Contour door |
| Upscale flush design | ● |
| Full-length door design | One-piece color wrap |
| Wash system | BrilliantClean |
| Wash arms | 3 direct-feed |
| Wash levels | 6-towerless |
| Water filtration | 100% triple with ExtraFine filter |
| Dual pumps and motors | ● |
| Hard food disposer | Piranha™ |
| Sensor | CleanSensor |
| Automatic temperature control | ● |
| Rinse aid dispenser | w/indicator & adjust. |
| Electronic controls | Light-touch |
| Cycle progress indicators | Countdown display w/6 status lights |
| Touchpads | 12 |
| Selections/Enhancements | 7/6* |
| Last cycle memory | ● |
| Audible end-of-cycle signal | ● |
| Selections | |
| Antibacterial (NSF**) | ● |
| Cookware | ● |
| Normal Wash | ● |
| China/Crystal | ● |
| Glasses Cycle | ● |
| SpeedCycle (wash & dry) | ● |
| Rinse Only | ● |
| Enhancements | |
| Delay Start | 1-9-hour |
| Hi-Temp Wash | Added heat |
| Hi-Temp Rinse | Auto w/added heat |
| PreWash | ● |
| Heated Dry | ● |
| HotStart | Automatic |
| Control lock | ● |
| Racking | |
| Maximum capacity nylon racking | White |
| Adjustable upper rack with CleanTip tines | 4-position deep-tiered |
| Fold-down tine flexibility | 4 sets with 2 multi-position, upper; 2 lower |
| Utility shelves | 4 w/StemSafe upper |
| Silverware basket | 3-pc. with ExtraBasket |
| Hard countertop installation | Included |
| Latch | Squeeze |
| DryIndex | |
| Calrod® heating element | Multi-wattage |
| Convection airflow | ● |
| Quiet | |
| Sound insulation package | QuietPower ⁵⁴ |
| Tub insulation | Thininstall Plus |
| Door insulation | Mastic and insulation |
| ActiveVent system | ● |
| Tub collar trim | ● |
| Electronic control system | ● |
| Quiet water valve | ● |
| Appearance | |
| Colors available*** | SS, WW, CC, BB |
| Weights & Dimensions | |
| Height w/legs retracted (in.) | 34 |
| Height w/legs removed (in.) | 33-13/16 |
| Overall width (in.) | 24 |
| Overall depth (in.) | 24-3/4† |
| Approx. shipping weight (lbs.) | 90 |

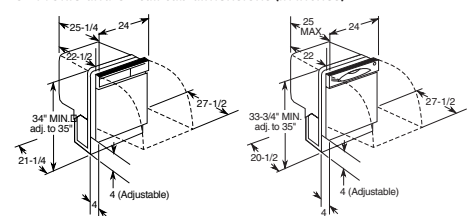
*Sensor controlled.
**Certified by National Sanitation Foundation.
***SS = Stainless steel, WW = White on white, CC = Bisque on bisque, BB = Black on black.
†Add 1/2" for deepest part of contour door.
††Subject to change.

GE tall tub built-in dishwashers

| | GE | |
|---------------------------------|--|--|
| | GLDA696MSS GLDA690MWW GLDA690MBB | GLD4560NSS GLD4550NCS GLD4500NWW GLD4500NCC GLD4500NBB |
| ENERGY STAR® | ● | ● |
| Energy Factor (EF)** | | 0.66 |
| ADA-compliant for height | ● | |
| Features | | |
| Tub and door liner | Stainless steel | PermaTuf |
| Giant tub | ● | ● |
| Front appearance | Flat door | Flat door |
| Full-length door design | ● | ● |
| Wash system | Towerless | BrilliantClean |
| Wash arms | 2 w/upper nozzle | 3 direct-feed |
| Wash levels | 5 | 6-towerless |
| Water filtration | 100% triple filtration | 100% triple with ExtraFine filter |
| Dual pumps and motors | ● | ● |
| Manual clean filter | ● | |
| Hard food disposer | | Piranha |
| Rinse aid dispenser | w/indicator & adjustment | w/indicator & adjustment |
| Electronic controls | ● | ● |
| Cycle progress indicators | Countdown display with 1 "Clean" | 1 "Clean" |
| Touchpads | 9 | 9 |
| Cycles/Options | 4/6 | 4/5 |
| Last cycle memory | ● | ● |
| Cycles | | |
| Heavy wash | | ● |
| Pots & Pans | ● | |
| Normal Wash | ● | ● |
| China/Crystal | | ● |
| Light wash | ● | |
| Rinse Only | ● | ● |
| Options | | |
| Delay Start | 2/4/8-hour | 2/4-hour |
| Hi-Temp Wash | Hot Wash | Hot Wash |
| Heated Dry | ● | ● |
| HotStart | ● | Automatic |
| Control lock | ● | ● |
| Racking | | |
| Racking | Maximum capacity | Super capacity |
| Upper rack | Super | Super |
| Fold-down tine flexibility | Deluxe | |
| Utility shelves | 2 w/1 StemSafe | 2 |
| Silverware basket | Deluxe | 1-pc. w/3 cell covers |
| Hard countertop installation | ● | GPF65 |
| Low profile installation | ● | ● |
| Latch | Squeeze | Squeeze |
| DryIndex | | |
| Calrod heating element | Dual-wattage | Multi-wattage |
| Convection airflow | | ● |
| Quiet | | |
| Sound insulation package | QuietPower ³ —57 dBA | QuietPower ³ —57 dBA |
| Tub insulation | Full wrap blanket | T-blanket |
| Mastic | ● | ● |
| Appearance | | |
| Colors available* | SS, WW, BB | SS, CS, WW, CC, BB |
| Weights & Dimensions | | |
| Height w/legs retracted (in.) | 32-11/32 | 34 |
| Height w/legs removed (in.) | | 33-3/4 |
| Overall width (in.) | 24 | 24 |
| Overall depth (in.) | 24 | 25 max. |
| Approx. shipping wt. (lbs.) | 132 | 90 |
| Accessories | | |
| 1/4" panel kit | N/A | GPF525W/C/B |
| 3/4" panel kit | N/A | GPF575 |

*SS = Stainless steel, CS = CleanSteel™, WW = White on white, CC = Bisque on bisque, BB = Black on black.
**Subject to change.

GE Profile and GE tall tub dimensions (in inches)





WCRE6270H*

GE washer

- ENERGY STAR qualified
- HydroWave™ wash system
- RainShower™ rinse system
- Stainless steel ribbed basket
- Rotary electronic controls with cycle status lights
- 5 wash/spin speed combinations
- 27 wash cycles
- PerfectTemp™
- Bleach and fabric softener dispensers

*Transitions to WCRE6270K in February 2009.

WWSE5240G (not shown)

- HydroWave wash system
- Rotary electronic controls with cycle status lights
- ExtrAction™ ribbed basket
- 5 wash/spin speed combinations
- 24 wash cycles
- PerfectTemp

WCSR4170G (not shown)

- HydroWave wash system
- Rotary electromechanical controls
- ExtrAction ribbed basket
- 4 wash/spin speed combinations



DRSR483EG/GG

GE dryer

- Stainless steel drum
- Auto Dry™
- 4 heat selections
- Wrinkle care extended tumble
- Interior dryer light
- 8 dry cycles
- Variable end-of-cycle signal
- Matches with WCRE6270H

DBSR463EG/GG (not shown)

- Auto Dry
- DuraDrum™ interior
- 4 heat selections
- Interior dryer light
- 6 dry cycles
- Quiet-by-Design™
- Fixed end-of-cycle signal

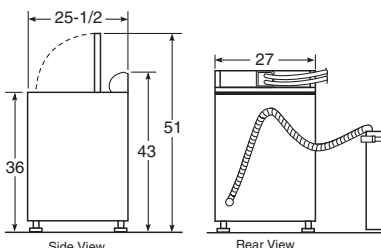
DJXR433EG/GG (not shown)

- Auto Dry
- Rotary electromechanical controls
- DuraDrum

| | GE | | |
|--------------------------------|------------------|------------------|------------------|
| | WCRE6270H | WWSE5240G | WCSR4170G |
| Capacity | | | |
| Capacity cu. ft. | 3.5 King-size | 3.2 Super Plus | 3.2 Super Plus |
| ENERGY STAR | ● | | |
| Controls | | | |
| Rotary electronic | ● | Rotary | Rotary |
| Status indicators | LED | LED | |
| HydroWave | ● | ● | ● |
| Water temp system | PerfectTemp | PerfectTemp | |
| Wash/rinse temps | 6 | 4 | 4 |
| Water levels | Variable | 4 | 4 |
| Wash system | | | |
| Wash basket | Stainless steel | ExtrAction™ | ExtrAction |
| Wash mechanism | GentlePower™ | GentlePower | GentlePower |
| Wash/spin combinations | 5 | 5 | 4 |
| Drive system | | | |
| Maximum spin speed | 630 RPM | 630 RPM | 630 RPM |
| Dispensers | | | |
| Bleach/Fabric softener | ● / ● | ● / ● | ● / ● |
| Wash cycles | | | |
| Number of cycles | 27 | 24 | 17 |
| Special cycles | | | |
| Prewash | | | ● |
| 2nd rinse | ● | ● | ● |
| Extended spin | ● | ● | ● |
| Rinse & spin (Quick rinse) | ● | ● | ● |
| Spin only | ● | ● | ● |
| Fabric softener | 2 | | |
| Additional features | | | |
| Quiet performance | Deluxe | Quiet-by-Design | Quiet-by-Design |
| Color lid instructions | ● | ● | ● |
| Appearance | | | |
| Backsplash color | Silver | Silver | White |
| Colors available* | WW, CC | WW | WW, CC |
| Weights/Dimensions | | | |
| Dimensions** (HxWxD in inches) | 27 x 42 x 25-1/2 | 27 x 42 x 25-1/2 | 27 x 42 x 25-1/2 |
| Approx. shipping weight (lbs.) | 175 | 155 | 160 |

*WW = White on white, CC = Bisque on bisque.
**Height to top of control panel, 51" to top of open lid.

Washer dimensions (in inches)



Washer specifications

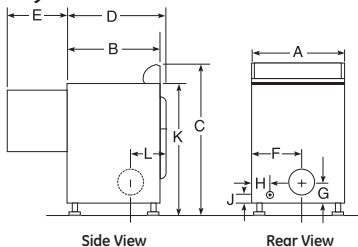
Circuit Requirements:
An individual, properly grounded branch circuit, with a three-prong grounding-type receptacle, protected by a 15- or 20-amp circuit breaker or time-delay fuse is required.

Electrical Rating:
115V, 60Hz, 10A

| | Electric Gas | GE | | |
|--------------------------------------|-----------------|------------------------|------------------------|------------------------|
| | | DRSR483EG DRSR483GG | DBSR463EG DBSR463GG | DJXR433EG DJXR433GG |
| Capacity | | | | |
| Capacity cu. ft. | | 7.0 Super | 7.0 Super | 6.0 Extra-large |
| Controls | | | | |
| Rotary | | ● | ● | ● |
| Heat selections | | 4 | 4 | 4 |
| Dry system | | | | |
| Dryer drum | | Stainless steel | DuraDrum | DuraDrum |
| Signals | | | | |
| End-of-cycle | | Variable | Fixed | |
| Dry cycles | | | | |
| Number of cycles | | 8 | 6 | 3 |
| Cottons | | ● | ● | ● |
| Easy care | | ● | ● | ● |
| Damp dry | | ● | ● | |
| Time control | | 80 min. | 80 min. | 60 min. |
| Special cycles | | | | |
| Dewrinkle | | ● | ● | |
| Quick Fluff (no heat) | | ● | ● | |
| Additional features | | | | |
| Quiet performance | | Quiet-by-Design | Quiet-by-Design | Quiet-by-Design |
| Dryer interior light | | ● | ● | |
| Appearance | | | | |
| Backsplash color | | Silver | White | White |
| Colors available* | | WW, CC | WW | WW, CC |
| Weights/Dimensions | | | | |
| Approx. shipping weight—elec. (lbs.) | | 119 | 116 | 112 |
| Approx. shipping weight—gas (lbs.) | | 125 | 121 | 115 |

*WW = White on white, CC = Bisque on bisque.

Dryer dimensions (in inches)



| | 7.0 cu. ft. capacity | 6.0 cu. ft. capacity |
|---|----------------------|----------------------|
| A | 27 | 27 |
| B | 25-1/2* | 25-1/2* |
| C | 42 | 42 |
| D | 28-1/4 | 25-3/4 |
| E | 23-1/2 | 23-1/2 |
| F | 11-1/2 | 11-1/2 |
| G | 3-1/2 | 3-1/2 |
| H | 2 | 2 |
| J | 2-1/2 | 2-1/2 |
| K | 36 | 36 |
| L | 8-1/2 | 5-1/4 |

*24-1/2" from edge of side panel to the front. 25-1/2" from front to edge of end caps.

Dryer specifications

Circuit Requirements:
Electric: An individual, properly grounded branch circuit, protected by a 30-amp circuit breaker or a time-delay fuse is required.

Electric Dryer Rating: 240V, 5600W, 24A, 60Hz or with 208V, 4400W, 22A, 60Hz

Gas: An individual, properly grounded branch circuit, with a three-prong grounding-type receptacle, protected by a 15- or 20-amp circuit breaker or a time-delay fuse is required.

Gas Dryer Electric Rating: 120V, 60Hz, 6A

Installation Information: Before installing, consult installation instructions packed with product for current dimensional data.

GE® unitized washers and dryers



WSM2700H Electric
WSM2780H Gas
 GE full-size 27" unitized
 washer/dryer

- 2.7 cu. ft. extra-large capacity
- 1 wash/spin speed combination
- 3 wash cycles
- 3 wash/rinse temperatures
- 3 water levels
- Electromechanical controls

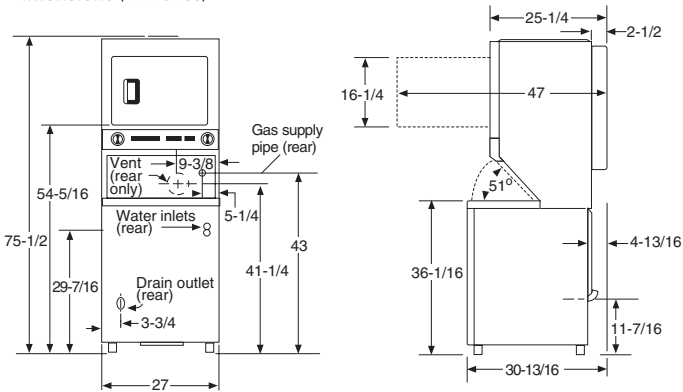
WSM2420D Electric
WSM2480D Gas
 GE 24" unitized
 washer/dryer

- 1.5 cu. ft. large capacity
- 2 wash/spin speed combinations
- 3 wash cycles
- 3 wash/rinse temperatures
- 3 water levels
- Electromechanical controls

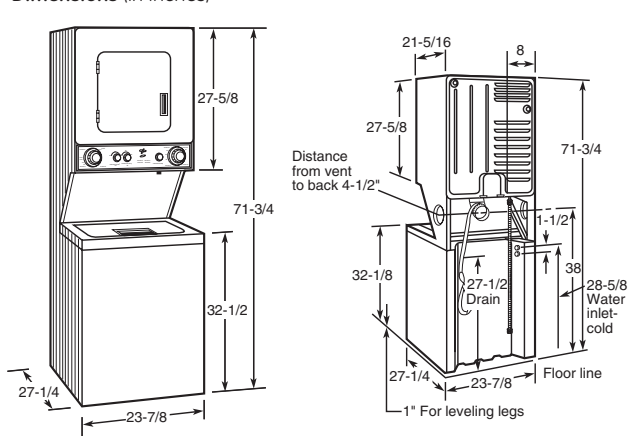
| | GE | | | |
|------------------------------|--------------------------|----------|----------------------------|------------|
| | WSM2700H | | WSM2420D | |
| Electric | WSM2780H | | WSM2480D | |
| Gas | Washer | Dryer | Washer | Dryer |
| Capacity | | | | |
| Capacity | X-large | X-large | Large | Large |
| Features | | | | |
| Wash/spin speed combinations | 1 | | 2 | |
| Wash/rinse temperatures | 3 | | 3 | |
| Water levels | 3 | | 3 | |
| Number of wash cycles | 3 | | 3 | |
| Regular | ● | | ● | |
| Perm. Press | ● | | ● | |
| Delicates | ● | | ● | |
| Unbalanced load control | ● | | ● | |
| Lint filter | ● | | ● | |
| Dryer | | | | |
| Features | | | | |
| Automatic dry control | | ● | | ● |
| Number of dry cycles | | 4 | | 4 |
| Auto Regular | | ● | | ● |
| Auto Perm. Press | | | | ● |
| Delicates | | ● | | ● |
| Timed | | ● | | ● |
| Air Fluff | | ● | | ● |
| Control location | | Mid-band | | Mid-band |
| Exhaust options | | Rear | | Rear/Sides |
| Appearance | | | | |
| Colors available* | | WW WW | | WW WW |
| Weights/Dimensions | | | | |
| Dimensions (HxWxD in inches) | 75-1/2 x 27 x 30-13/16** | | 71-3/4 x 23-7/8 x 27-1/4** | |
| Approx. shipping wt. (lbs.) | | 300 | | 238 |

*WW = White on white
 **Depth dimension assumes water hook-up is recessed in the wall.
 Note: The third prong on the WSM2780H plug configuration is a flat spade type rather than a typical round probe. It requires a matching wall outlet.

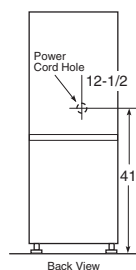
Models WSM2700H and WSM2780H Dimensions (in inches)



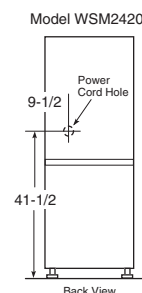
Models WSM2420D and WSM2480D Dimensions (in inches)



Power cord location



Power cord location



Installation Information: Before installing, consult installation instructions packed with product for current dimensional data.



WSLP1100H*
120V portable
topload washer

- 2.5 cu. ft. extra-large capacity
- Stainless steel basket
- Electronic one-touch controls with LED readout
- One-touch load sensing
- 10 wash cycles
- 3 wash/rinse temperatures

*Transitions to WSLP1500J in February 2009.

| | GE WSLP1100H |
|--------------------------------|-----------------------------|
| Capacity | |
| Capacity (cu. ft.) | 2.5 extra-large |
| Features | |
| Wash/spin speed combinations | 1 |
| Wash/rinse temperatures | 3 |
| Water levels | 4 |
| Number of cycles | 10 |
| Cycle countdown | Digital |
| Regular | |
| Heavy soil | ● |
| Medium soil | ● |
| Perm. Press | |
| Medium soil | ● |
| Light soil | ● |
| Delicates | ● |
| Spin only | ● |
| One-touch load sensing | ● |
| Automatic cool down | ● |
| Bleach dispenser | ● |
| Fabric softener dispenser | ● |
| Automatic detergent dispenser | ● |
| Lint filter | 2 Removable |
| Washer lid type | Bi-fold |
| Quiet pump | ● |
| Easy-roll rollers | ● |
| Unicouple connector | ● |
| Basket material | Stainless steel |
| Appearance | |
| Colors available* | WW |
| Weights/Dimensions | |
| Circuit requirements | 120V/60Hz, 15 or 20 Amps |
| Dimensions (HxWxD in inches)** | 38 x 23-5/8 x 26 |
| Approx. shipping weight (lbs.) | 116 |

*Colors available: WW = White on white.
**Depth measured from front of control knob.



DSKS433EB
GE 240V stationary
dryer

- 3.6 cu. ft. capacity
- Auto Dry™
- 4 heat selections
- 3 dry cycles
- Rotary controls
- Upfront lint filter

| | GE DSKS433EB |
|--|-----------------------------|
| Capacity | |
| Capacity (cu. ft.) | 3.6 |
| Features | |
| Dry control | Automatic |
| Heat selections | 4 |
| Number of dry cycles | 3 |
| Auto. Perm. Press & Delicate | ● |
| Auto Reg. | ● |
| Timed Regular (min.) | 140 |
| Air Fluff (min.) | (Heat selection) |
| Separate start switch | ● |
| Control location | Mid-band |
| Lint filter | Upfront |
| Appearance | |
| Colors available* | WW |
| Weights/Dimensions | |
| Exhaust options** | 4-way |
| 240V/208V*** | |
| Circuit requirements | 60Hz, 30 Amps |
| Power cord | No Cord |
| Dimensions (HxWxD in inches) | 33-1/4 x 23-7/8 x 24-1/2 |
| Wall-mount kit (available at additional cost, applies only to stationary models) | WMK-35 |
| Approx. shipping weight (lbs.) | 108 |

*Colors available: WW = White on white.
**Shipped exhausted through the top.
***Rear-mounted outlet, 60 Hertz, 10 Amp.
Approved for use with washer/dryer stack rack DSDR24F.
Circuit requirements: An individual, properly grounded branch circuit of the proper voltage and frequency as specified on the rating plate, with no other appliances or fixtures in circuit, is required.



WNRD2050G
GE non-coin
commercial washer

- 3.5 cu. ft. capacity
- Stainless steel basket
- Electronic one-touch controls with LED readout
- 5 wash cycles
- 3 wash/spin speed combinations
- 3 wash/rinse temperatures
- Deluxe quiet

| | GE WNRD2050G |
|--------------------------------|---------------------|
| Capacity | |
| Capacity (cu. ft.) | 3.5 stainless steel |
| Features | |
| Motor | 2-speed |
| Wash/spin speed combinations | 3 |
| Wash/rinse temperatures | 3 |
| Water levels | 4 |
| Digital cycle countdown | ● |
| Number of wash cycles | 5 |
| White cottons | ● |
| Colored cottons | ● |
| Bright colors | ● |
| Permanent Press | ● |
| Delicate | ● |
| Spin only | ● |
| Bleach dispenser | ● |
| Quiet performance | Deluxe quiet |
| Lid instructions | ● |
| LED indicators | ● |
| Appearance | |
| Colors available | White |
| Braille kit | 14-D242 |
| Weights/Dimensions | |
| Approx. shipping weight (lbs.) | 160 |

DNCD450EG Electric
DNCD450GG Gas
GE non-coin
commercial dryer

- 7.0 cu. ft. capacity
- Auto Dry
- Electronic one-touch controls with LED readout
- DuraDrum™ interior
- 4 heat selections
- 5 dry cycles

| | GE DNCD450EG/GG |
|---------------------------------|--------------------|
| Capacity | |
| Capacity (cu. ft.) | 7.0 |
| Features | |
| Dry cycles | 5 |
| Cottons/high heat | ● |
| Mixed loads/high heat | ● |
| Perm. press/medium heat | ● |
| Knits/low heat | ● |
| Delicates/extra low heat | ● |
| Temperatures | 4 |
| Air dry | ● |
| Digital cycle countdown | ● |
| Quiet performance | Deluxe quiet |
| Lockable lint filter | ● |
| LED indicators | ● |
| Door swing | Reverse-a-Door |
| Drum material | White DuraDrum |
| Appearance | |
| Colors available | White |
| Braille kit | 14-D242 |
| Weights & Dimensions | |
| Approx. shipping wt. (lbs.) | 125 |

GE makes builders' lives easier.

GE gives you all the tools you need to manage and grow your business.



- An industry-leading company committed to customer satisfaction.
- America's #1 preferred appliance brand.*
- A nationwide network of sales professionals and service technicians wholly dedicated to the builder community. **800.GE.CARES.**

*GE is the appliance brand most often mentioned among the brands rated as offering the best products and services in America. Source: Harris Poll 2006.



- 24-hour accessibility through award-winning technology
 - GECustomerNet.com**
 - GESelectionCenter.com**
 - ge.com**
- GE Answer Center® saves you time by providing answers on product features. **800.626.2000.**



- Project planning made simple with Quick Specs.
- Product features and dimensions are faxed to you FREE, wherever and whenever you need them. **800.432.3729.**



GE Consumer & Industrial
Appliances
General Electric Company
Louisville, KY 40225
ge.com

As an ENERGY STAR® partner, GE has determined that the appliances marked with the ENERGY STAR logo meet the ENERGY STAR guidelines for energy efficiency.

Before purchasing an appliance, read important information about its estimated annual energy consumption or energy efficiency rating that is available from your retailer or ge.com.

GE has a policy of continuous improvement of its products and reserves the right to change materials and specifications without notice.